



US00D675283S

(12) **United States Design Patent**
Dooley et al.

(10) **Patent No.:** **US D675,283 S**
(45) **Date of Patent:** **** Jan. 29, 2013**

(54) **BUG ZAPPER RACKET**

(75) Inventors: **Thomas J. Dooley**, Hoboken, NJ (US);
Matthias Mazur, New York, NY (US);
Michael Poindexter, New York, NY
(US)

(73) Assignee: **Kaz USA, Inc.**, Southborough, MA (US)

(**) Term: **14 Years**

(21) Appl. No.: **29/424,323**

(22) Filed: **Jun. 11, 2012**

(51) **LOC (9) Cl.** **22-06**

(52) **U.S. Cl.** **D22/124**

(58) **Field of Classification Search** D22/119-124;
D21/729; 43/112, 124, 132.1, 134, 136-137
See application file for complete search history.

(56) **References Cited**

U.S. PATENT DOCUMENTS

D352,081 S * 11/1994 Shelley D21/729
D415,814 S * 10/1999 Re D22/124
D516,159 S * 2/2006 Himberger D22/124

D518,867 S * 4/2006 Dow et al. D22/124
D540,415 S * 4/2007 Zemel D22/124
8,181,385 B2 * 5/2012 Mars 43/112

* cited by examiner

Primary Examiner — Catheri Oliver-Garcia

(74) *Attorney, Agent, or Firm* — Stroock & Stroock & Lavan
LLP

(57) **CLAIM**

The ornamental design for a bug zapper racket, as shown and
described.

DESCRIPTION

FIG. 1 is a front view of the bug zapper racket;
FIG. 2 is a rear view of the bug zapper racket of FIG. 1;
FIG. 3 is a left side view of the bug zapper racket of FIG. 1;
FIG. 4 is a right side view of the bug zapper racket of FIG. 1;
FIG. 5 is a top view of the bug zapper racket of FIG. 1; and,
FIG. 6 is a bottom side view of the bug zapper racket of FIG.
1.

The elements delineated in dashed lines form no part of the
claimed design of the bug zapper racket.

1 Claim, 4 Drawing Sheets

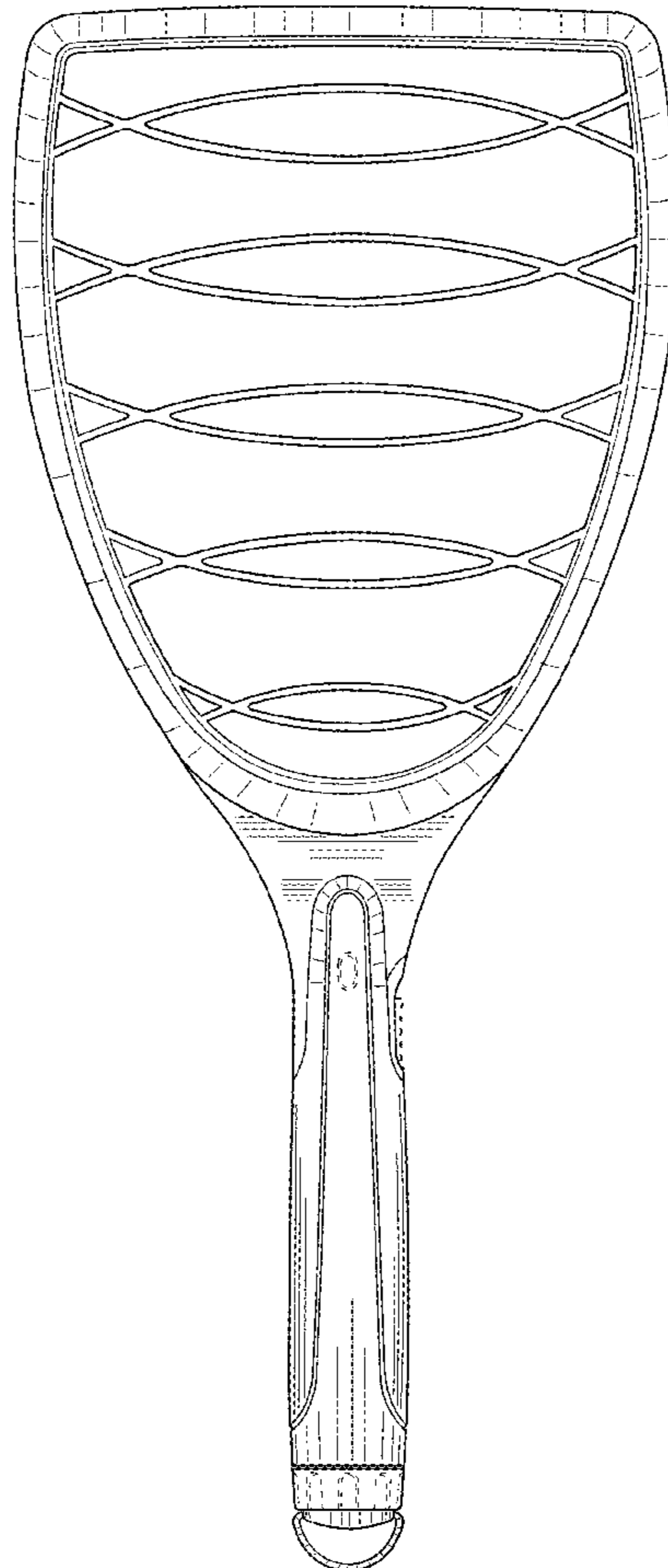


FIG. 1

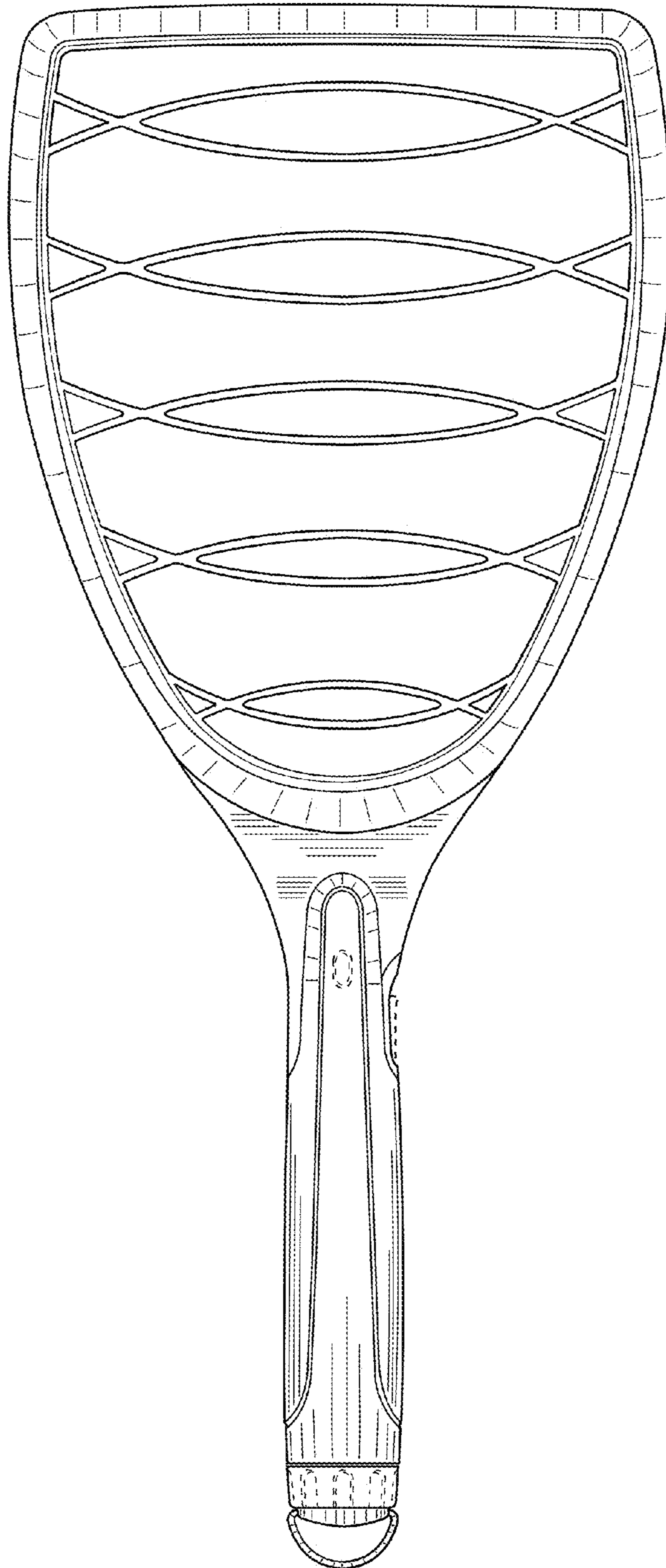


FIG. 2

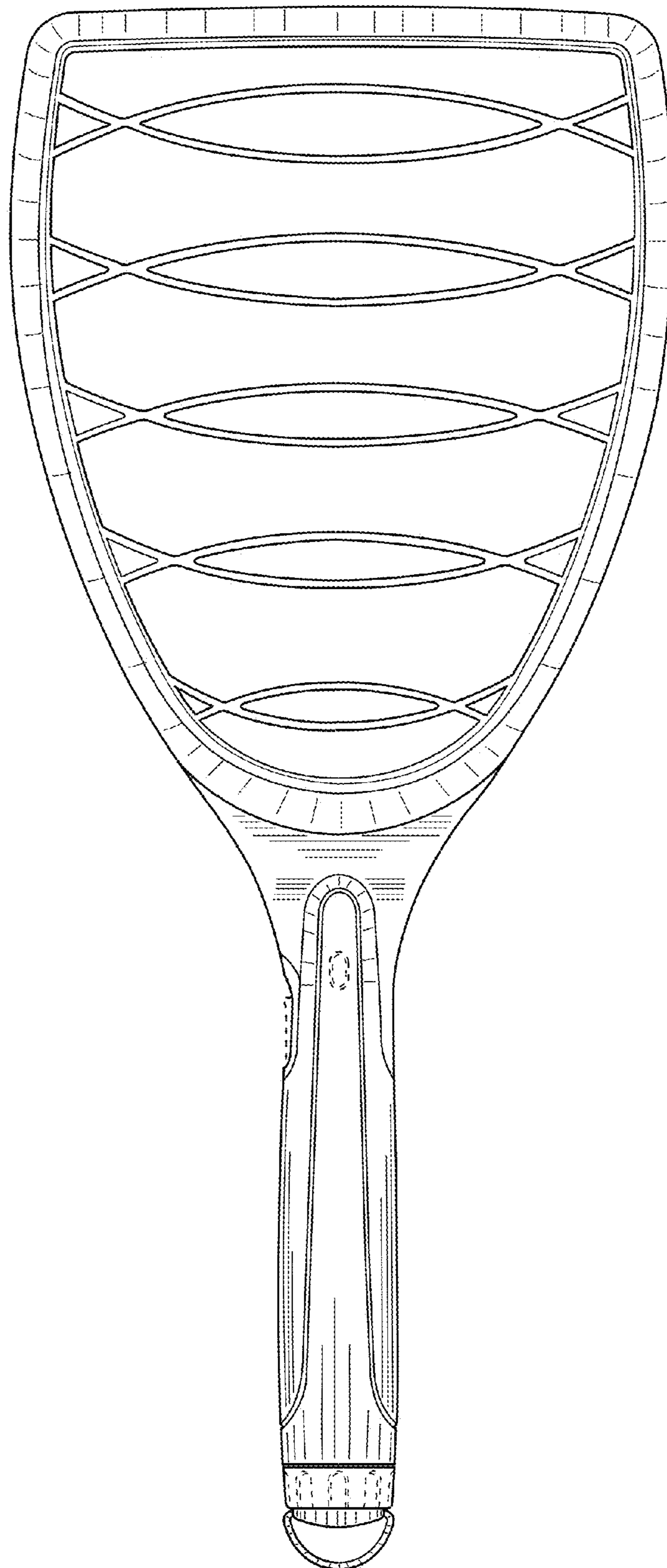


FIG. 3

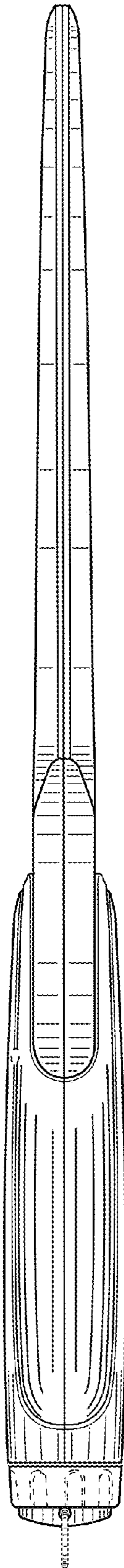


FIG. 4

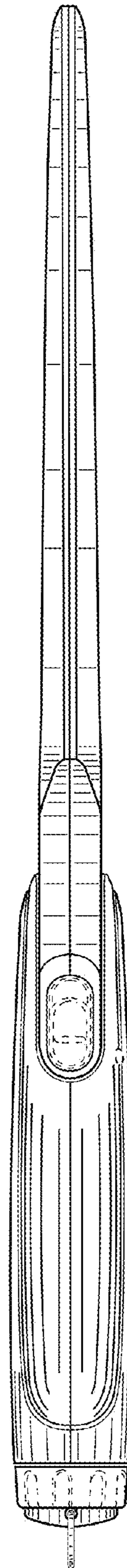


FIG. 5

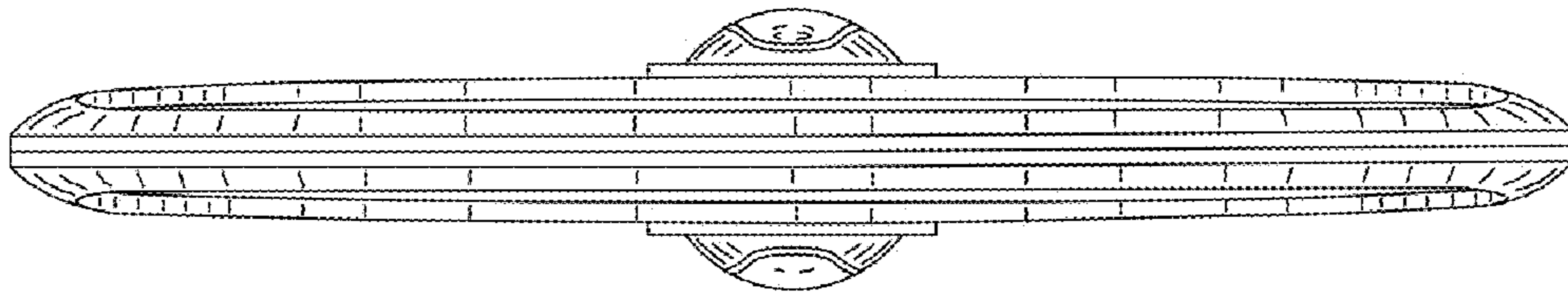


FIG. 6

