

US00D675281S

(12) **United States Design Patent**  
**Speroni**

(10) **Patent No.:** **US D675,281 S**

(45) **Date of Patent:** **\*\* Jan. 29, 2013**

(54) **LASER SIGHT AND MOUNT**

(76) Inventor: **Walter Speroni**, Villa Carlos Paz (AR)

(\*\*) Term: **14 Years**

(21) Appl. No.: **29/394,732**

(22) Filed: **Jun. 21, 2011**

(51) **LOC (9) Cl.** ..... **22-01**

(52) **U.S. Cl.** ..... **D22/109**

(58) **Field of Classification Search** ..... D22/108-110,  
D22/199; 89/111-133, 41.17-41.19; 359/399,  
359/823, 744; 42/104, 105, 111-113, 116,  
42/120, 124-126, 127-129, 141-148, 133-140;  
33/227, 229; 362/110, 111, 113, 114

See application file for complete search history.

(56) **References Cited**

**U.S. PATENT DOCUMENTS**

3,995,376	A	12/1976	Kimble et al.	
4,161,076	A	7/1979	Snyder	
4,313,272	A	2/1982	Matthews	
4,313,273	A	2/1982	Matthews et al.	
5,068,969	A	12/1991	Siebert	
5,177,309	A	1/1993	Willoughby et al.	
5,194,007	A	3/1993	Marshall et al.	
5,208,826	A	5/1993	Kelly	
5,355,608	A	10/1994	Teetzel	
5,435,091	A	7/1995	Toole et al.	
5,706,600	A	1/1998	Toole et al.	
5,824,942	A	10/1998	Mladjan et al.	
6,276,088	B1	8/2001	Matthews et al.	
6,578,311	B2	6/2003	Danielson et al.	
D526,380	S *	8/2006	Swan	D22/109
7,360,333	B2	4/2008	Kim	
7,765,730	B2 *	8/2010	Keng	42/111
7,797,873	B2 *	9/2010	Gering et al.	42/105
8,191,302	B1 *	6/2012	Swan	42/114
2009/0038201	A1 *	2/2009	Cheng et al.	42/127
2010/0175297	A1 *	7/2010	Speroni	42/114
2010/0218410	A1 *	9/2010	Cabahug et al.	42/71.01
2011/0047851	A1 *	3/2011	Mock et al.	42/72
2011/0185619	A1 *	8/2011	Finnegan et al.	42/117
2011/0209381	A1 *	9/2011	Moore et al.	42/114

2011/0225867	A1 *	9/2011	Moore et al.	42/114
2011/0232152	A1 *	9/2011	Thomas et al.	42/125
2012/0000979	A1 *	1/2012	Horvath et al.	235/407

**OTHER PUBLICATIONS**

Article Shot Show 2009, Orange County Convention Center, Orlando, FL, Jan. 15-18, 2009, pp. 1-10.

Article Shot Show 2009, Orange County Convention Center, Orlando, FL, Jan. 15-18, 2009, pp. 11-20.

Brochure Shot Show 2009, Orange County Convention Center, Orlando, FL, Jan. 15-18, 2009, pp. 1-3.

\* cited by examiner

*Primary Examiner* — Michael Pratt

(74) *Attorney, Agent, or Firm* — Law Office of Arthur M. Antonelli, PLLC

(57) **CLAIM**

The ornamental design for a laser sight and mount, as shown and described.

**DESCRIPTION**

A portion of the disclosure of this patent document contains material to which a claim for copyright is made. The copyright owner has no objection to the facsimile reproduction by anyone of the patent document or the patent disclosure, as it appears in the Patent and Trademark Office patent file or records, but reserves all other copyright rights whatsoever.

FIG. 1 is a perspective view of a laser sight and mount in accordance with my new design;

FIG. 2 is a rear, left, top perspective view thereof;

FIG. 3 is a top view thereof;

FIG. 4 is a front view thereof;

FIG. 5 is rear view thereof;

FIG. 6 is a bottom view thereof;

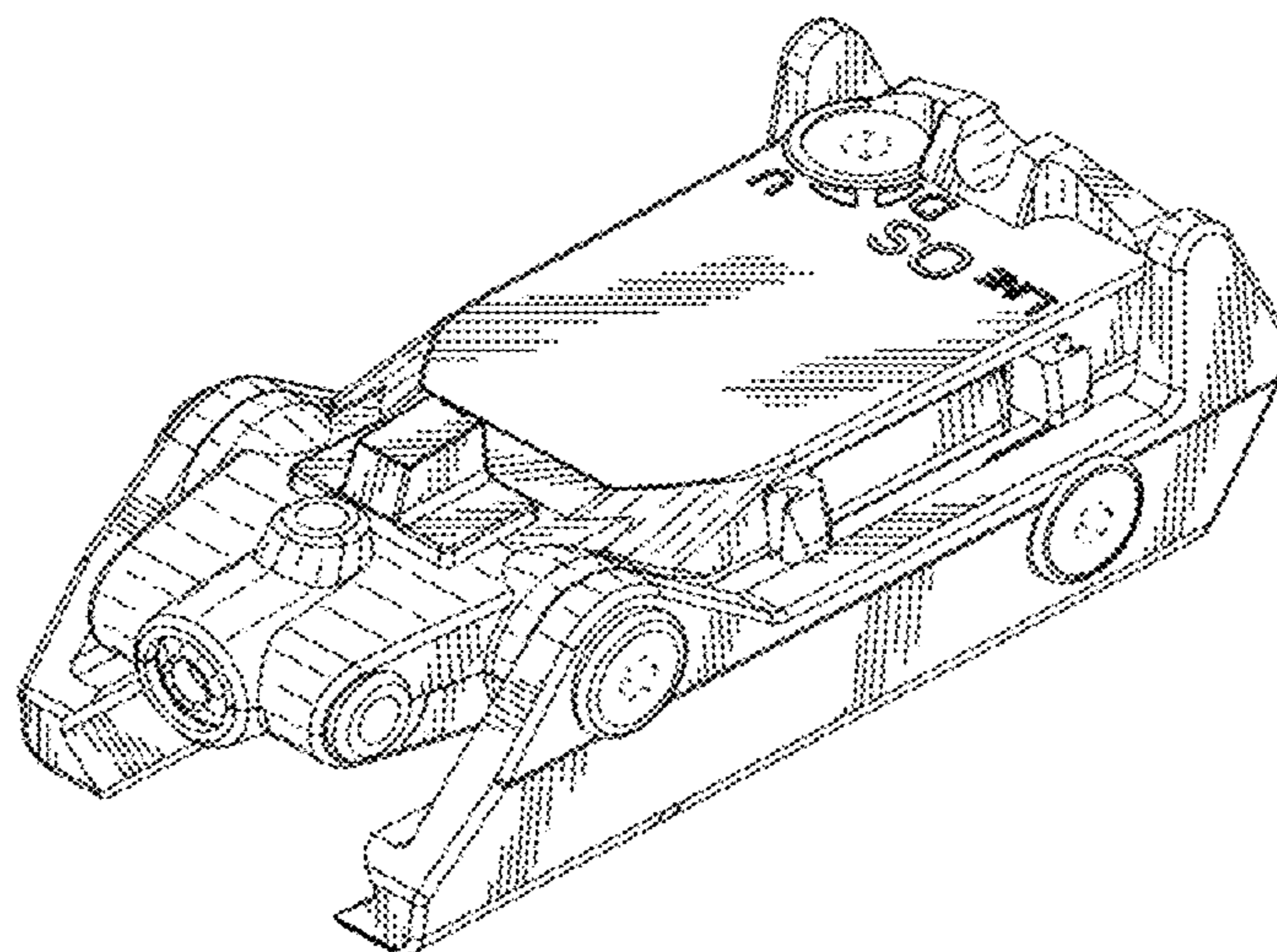
FIG. 7 is a left side view thereof;

FIG. 8 is a right side view thereof; and,

FIG. 9 is a front, right, bottom perspective view thereof.

All portions shown in broken lines are environmental and illustrative only and form no part of the claimed design.

**1 Claim, 4 Drawing Sheets**



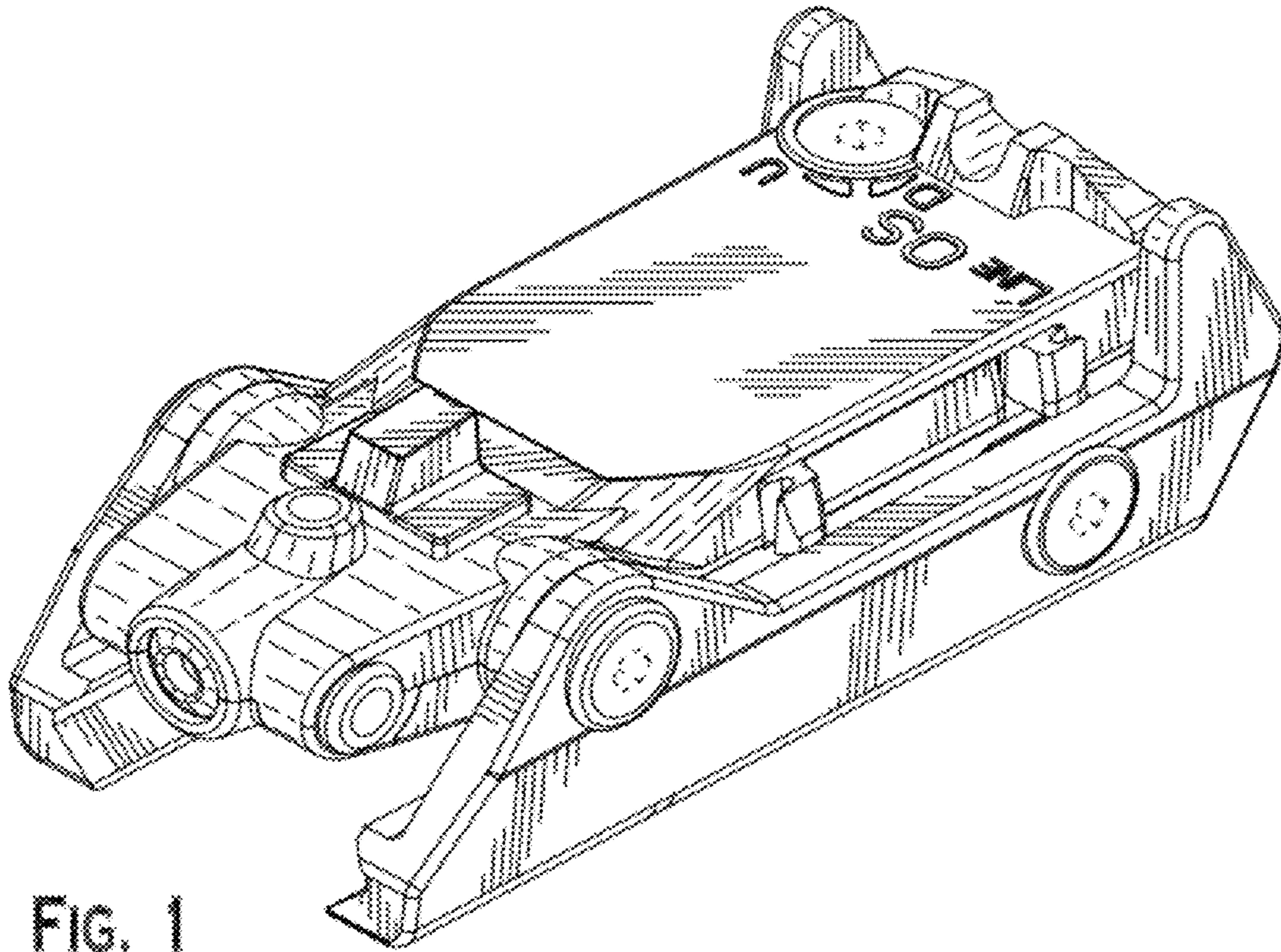


FIG. 1

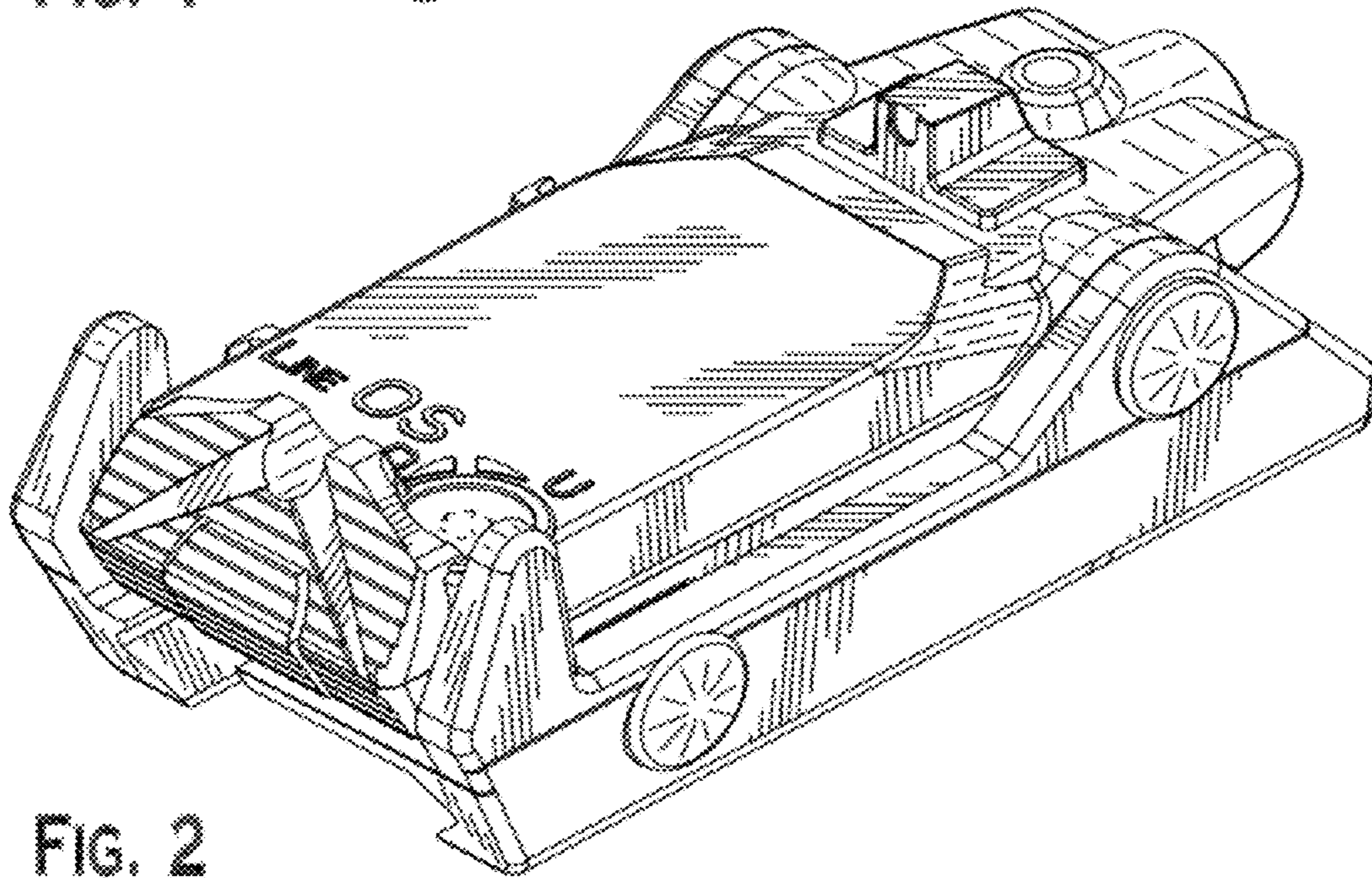


FIG. 2

FIG. 3

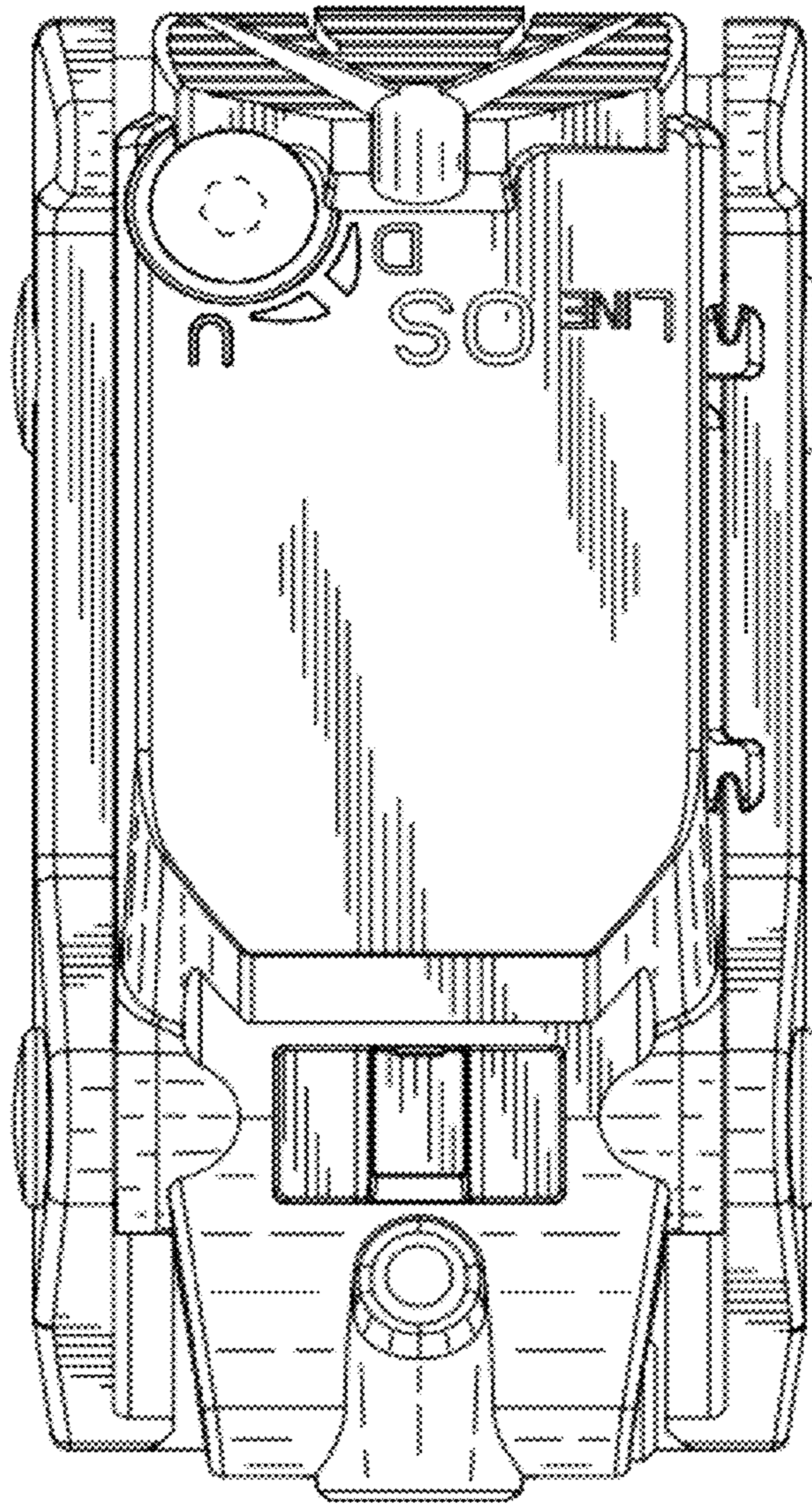
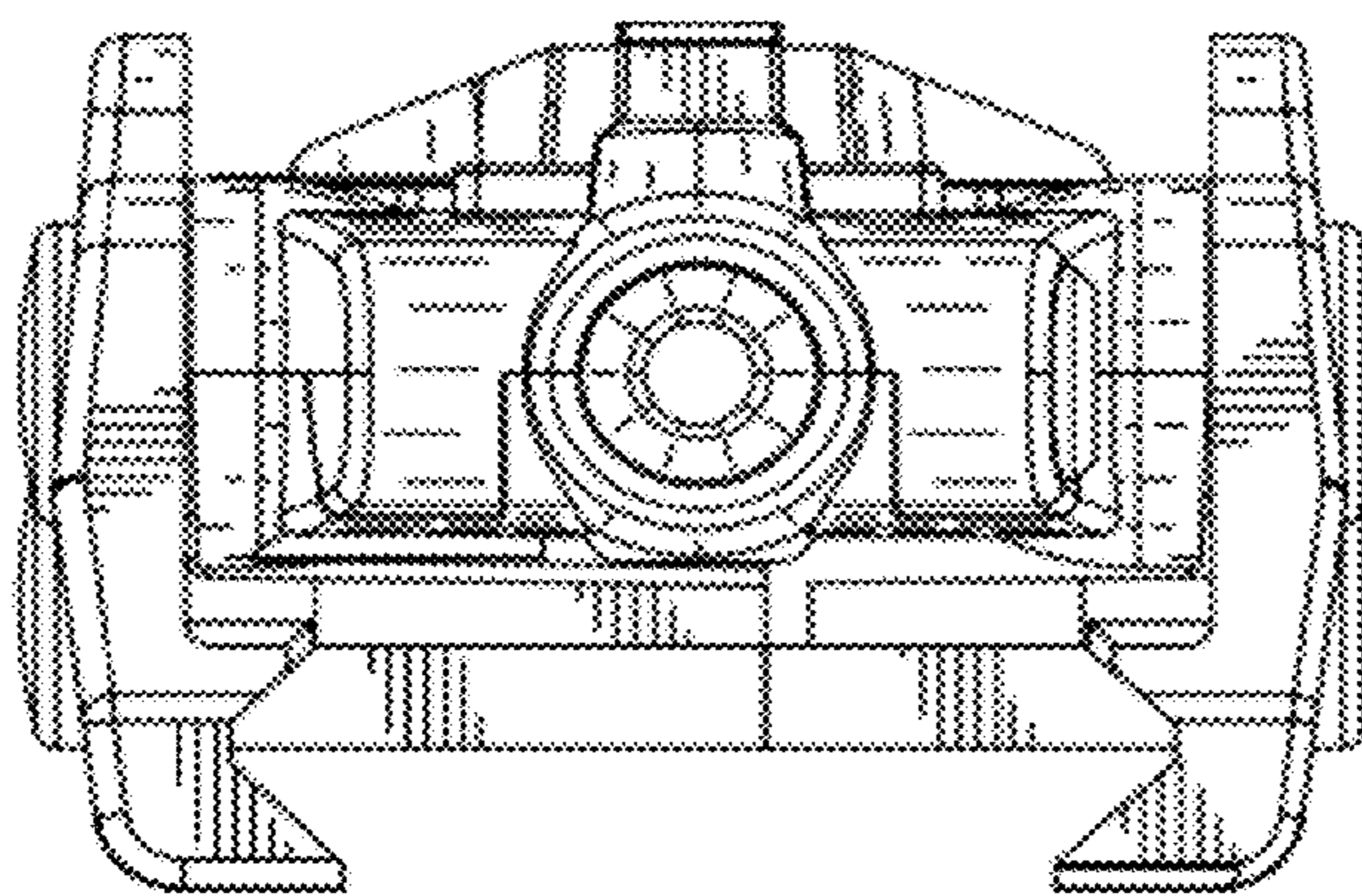


FIG. 4



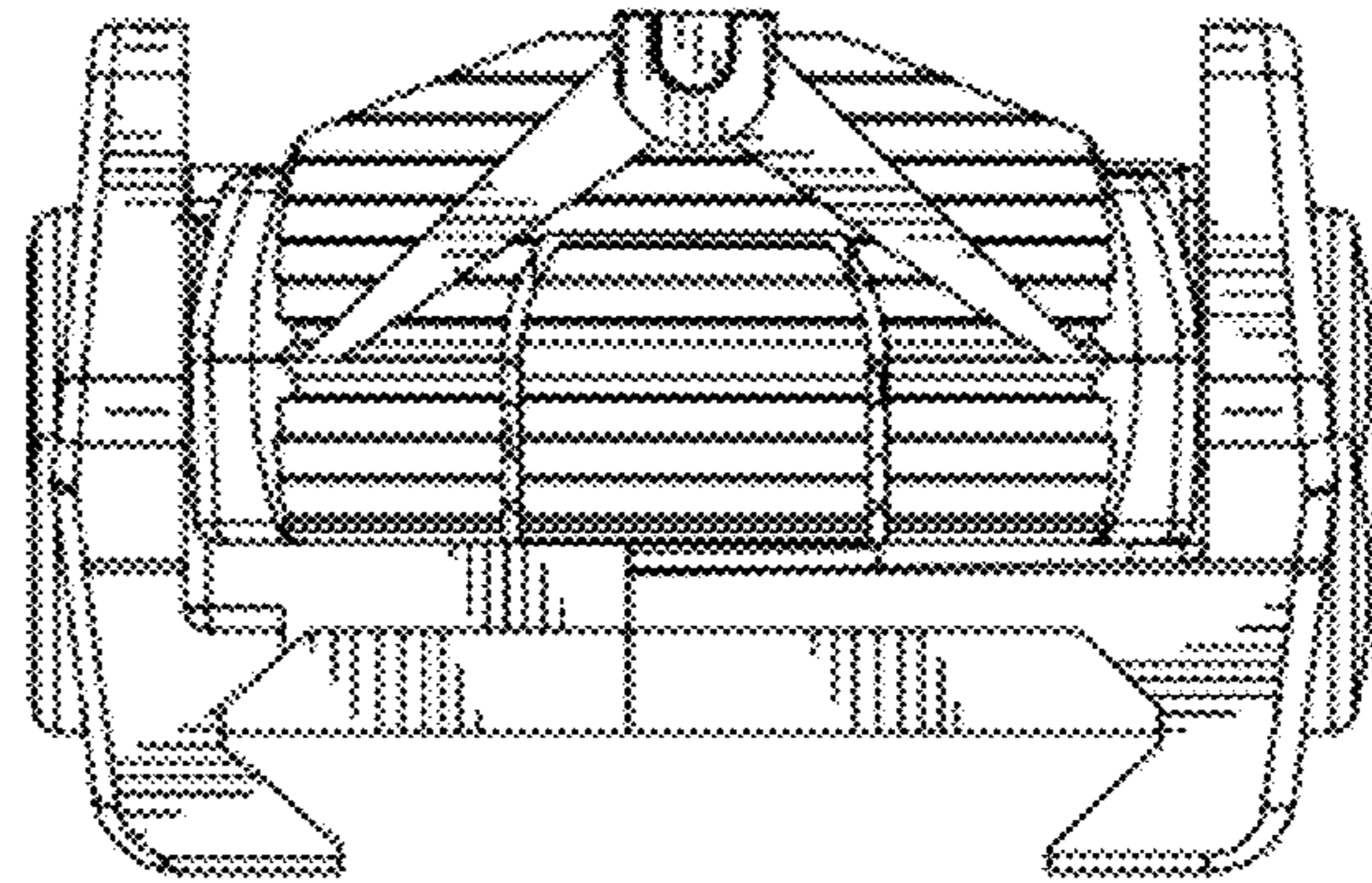


FIG. 5

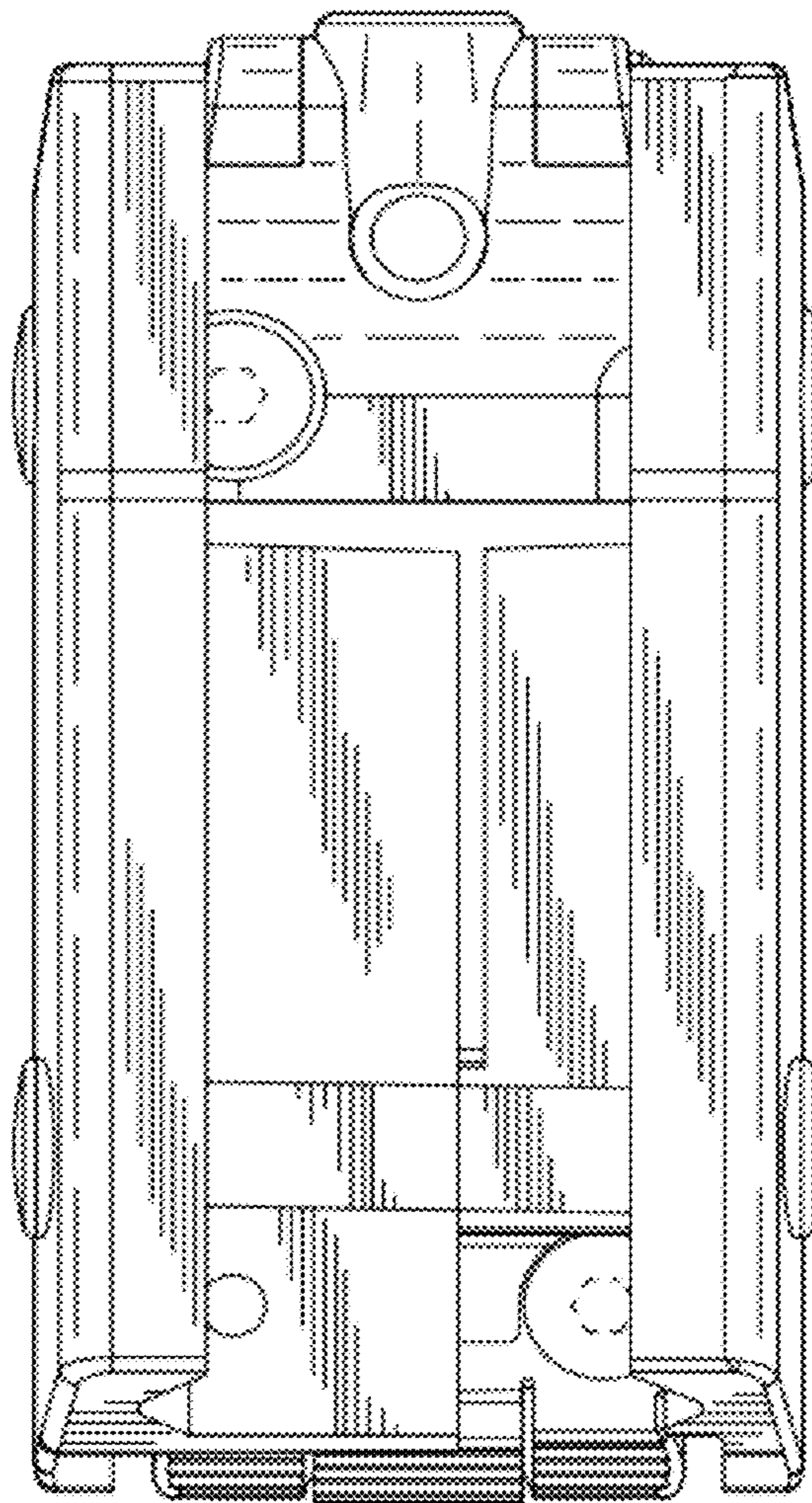


FIG. 6

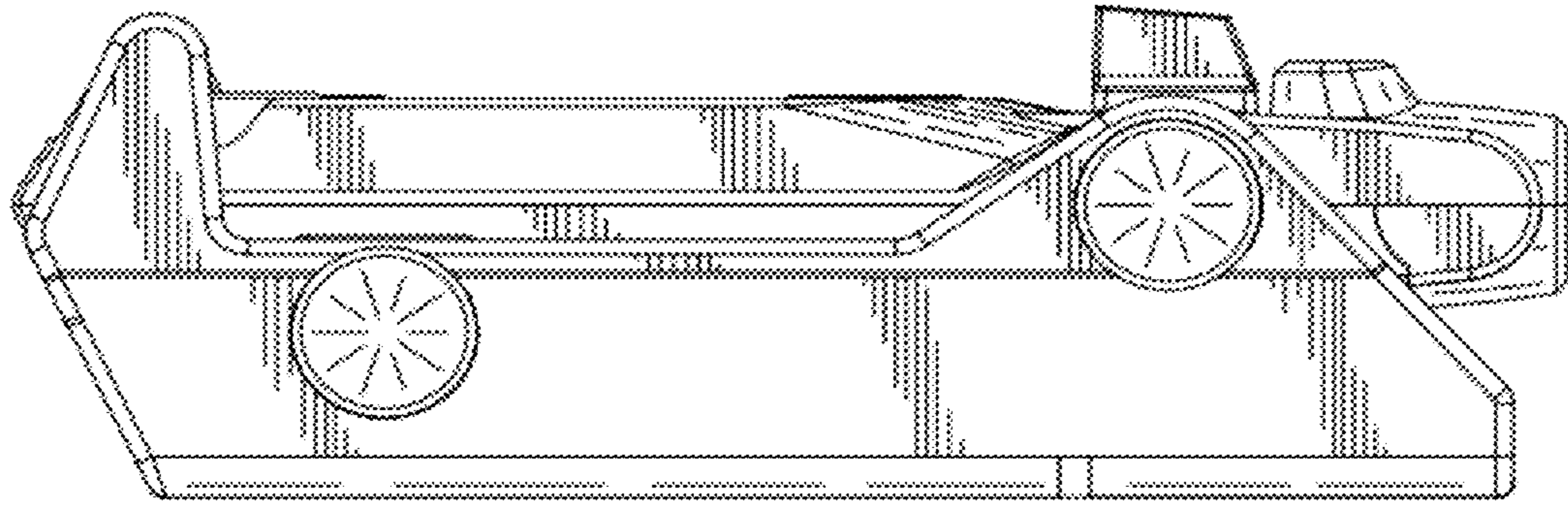


FIG. 7

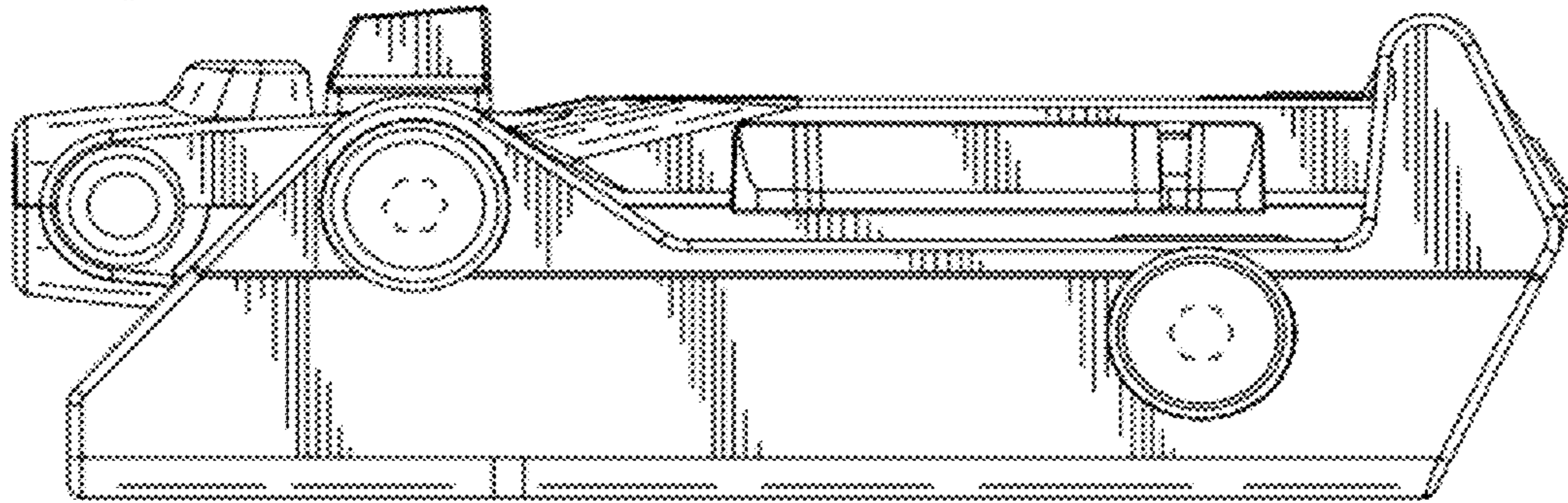


FIG. 8

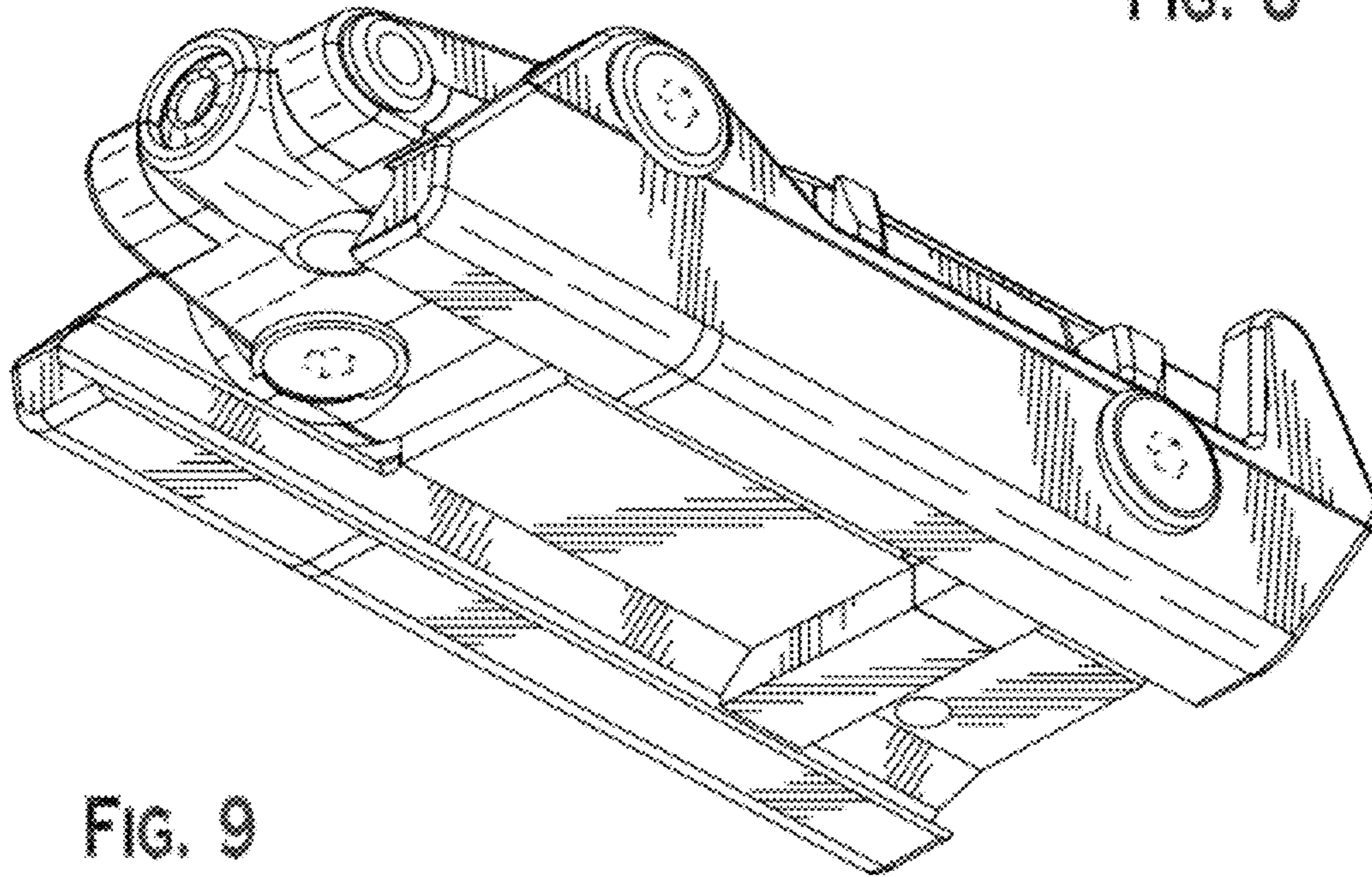


FIG. 9