



US00D675280S

(12) **United States Design Patent**
Nelson et al.

(10) **Patent No.:** **US D675,280 S**
(45) **Date of Patent:** **** Jan. 29, 2013**

(54) **SHOOTING BENCH**

(75) Inventors: **Ronald D. Nelson**, Sidney, NE (US);
Luke Humphreys, Sidney, NE (US);
Ryan E. Wellman, Sidney, NE (US)

(73) Assignee: **Cabela's**, Sidney, NE (US)

(**) Term: **14 Years**

(21) Appl. No.: **29/401,223**

(22) Filed: **Sep. 8, 2011**

(51) **LOC (9) Cl.** **22-01**

(52) **U.S. Cl.** **D22/108; D22/199**

(58) **Field of Classification Search** D22/108-110,
D22/114, 199; 42/94, 111, 114; 89/40.01,
89/40.03; 73/167; D6/368, 552; 224/11,
224/413, 442, 551, 571, 913; 102/430; 211/64
See application file for complete search history.

(56) **References Cited**

U.S. PATENT DOCUMENTS

6,044,747	A *	4/2000	Felts	89/40.06
6,931,777	B1 *	8/2005	Krien	42/94
6,935,064	B1 *	8/2005	Thompson	42/94
8,166,695	B2 *	5/2012	Pippin	42/94
2004/0134113	A1 *	7/2004	Deros et al.	42/94
2012/0174461	A1 *	7/2012	Potterfield et al.	42/94

OTHER PUBLICATIONS

Canadian Intellectual Property Office Examiners Report, Patent Application No. 144721, Jun. 19, 2012.

* cited by examiner

Primary Examiner — Michael A Pratt

(74) *Attorney, Agent, or Firm* — Quarles & Brady LLP

(57) **CLAIM**

The ornamental design for a shooting bench, as shown and described.

DESCRIPTION

FIG. 1 is a rear, right perspective view of a shooting bench embodying our new design.

FIG. 2 is a right side elevational view thereof.

FIG. 3 is a left side elevational view thereof.

FIG. 4 is a top view thereof.

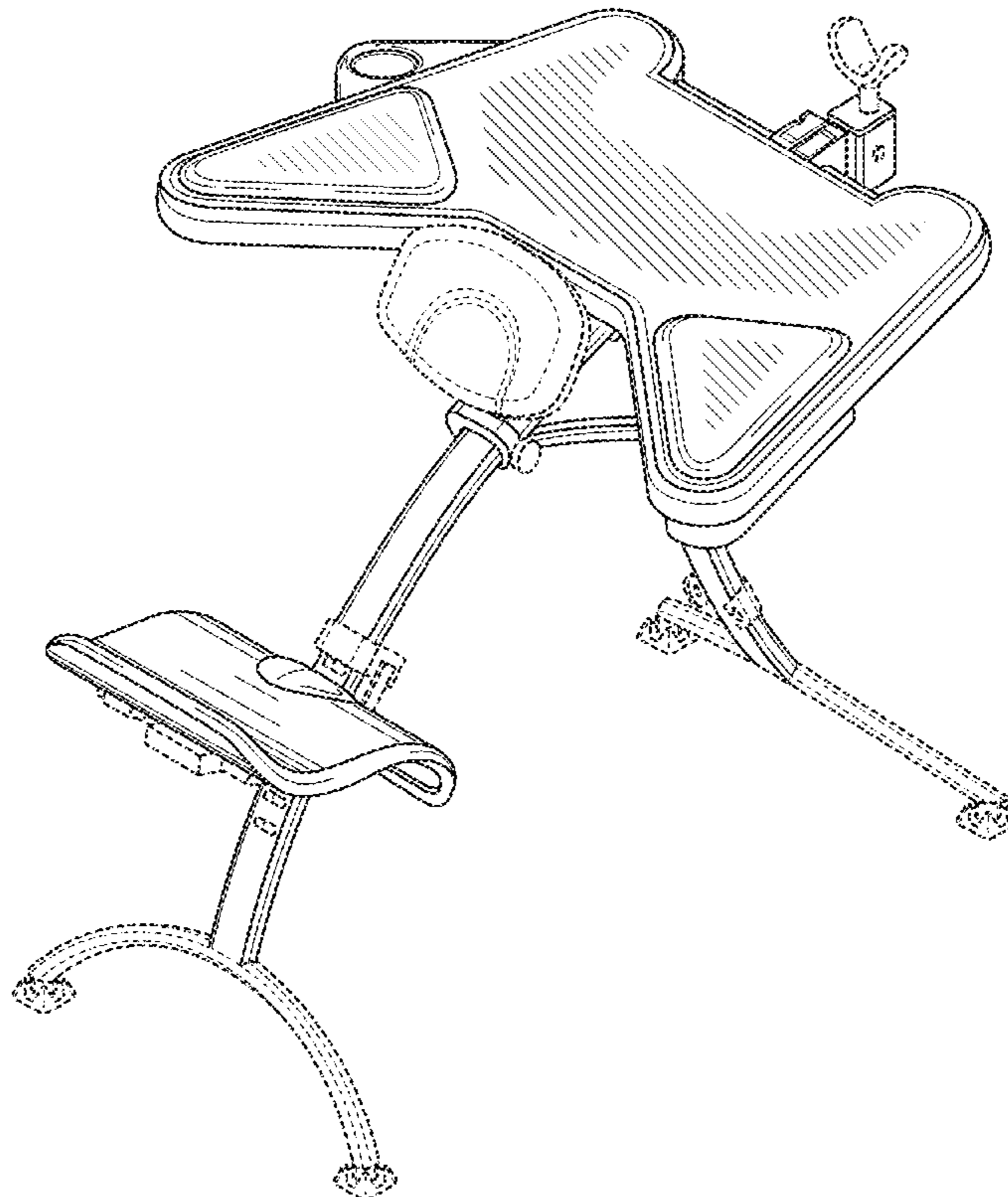
FIG. 5 is a bottom view thereof.

FIG. 6 is a front elevational view thereof; and,

FIG. 7 is a rear elevational view thereof.

The broken lines shown on the drawing disclosure are for illustrative purposes only and form no part of the claimed design.

1 Claim, 7 Drawing Sheets



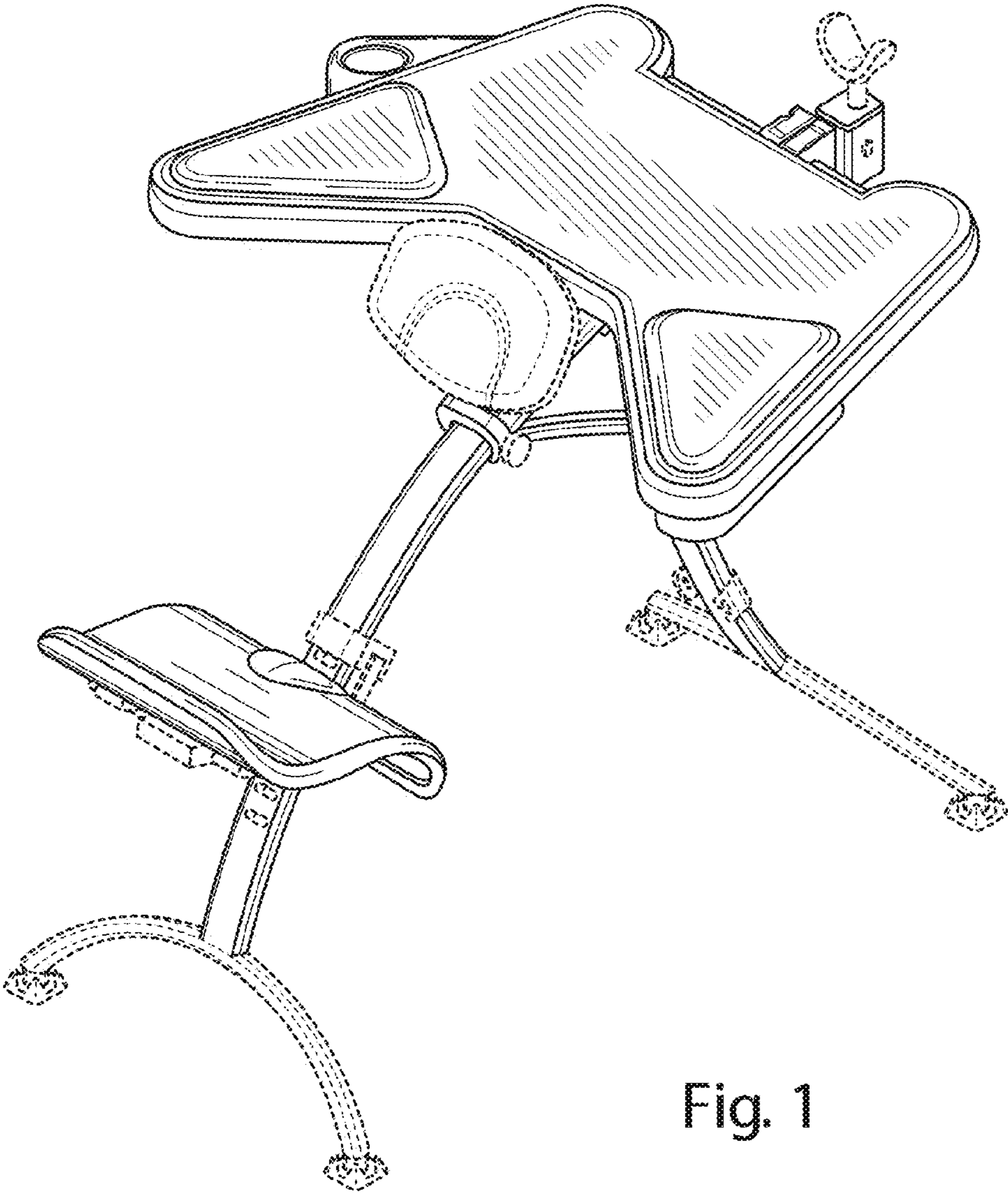


Fig. 1

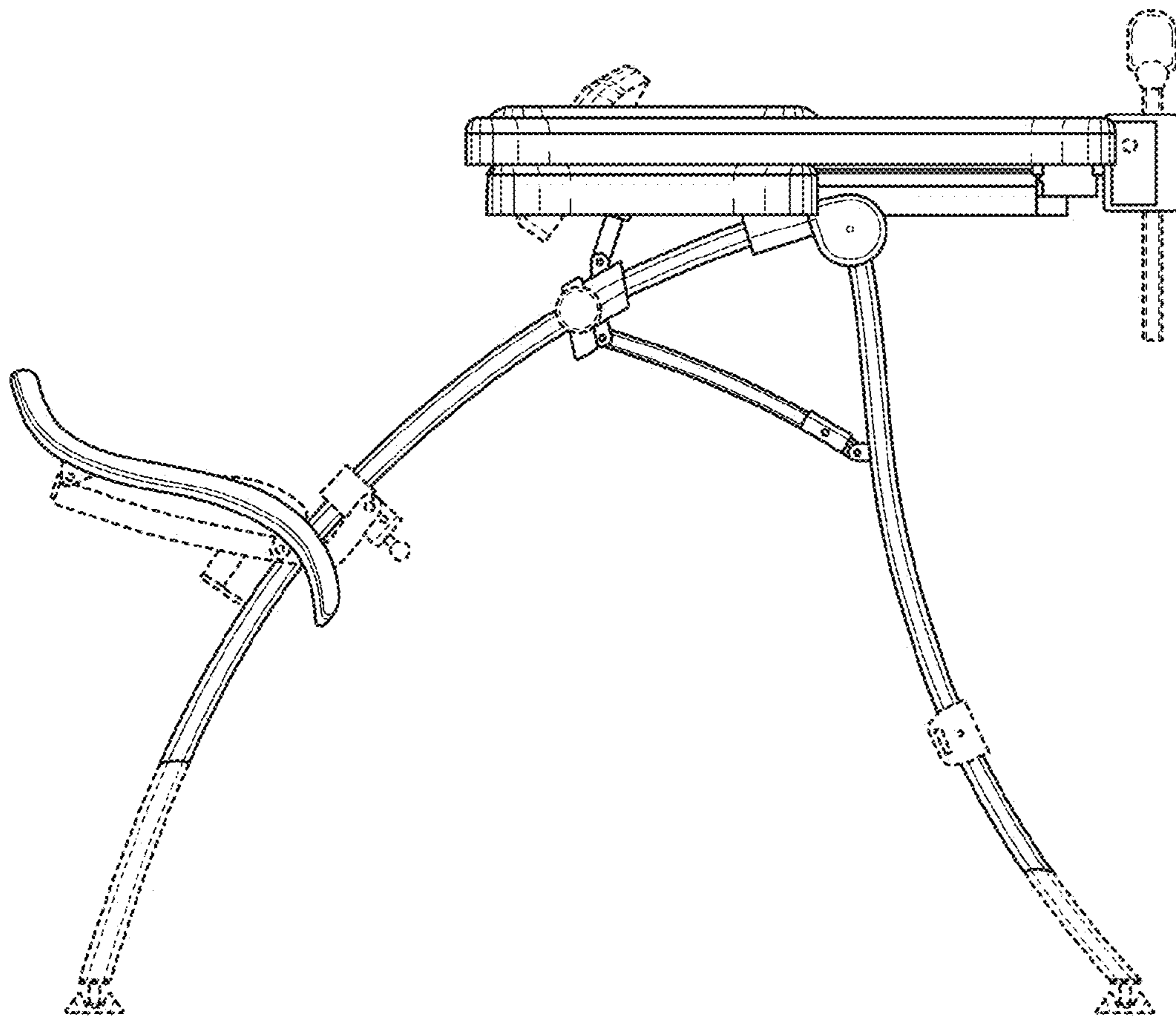


Fig. 2

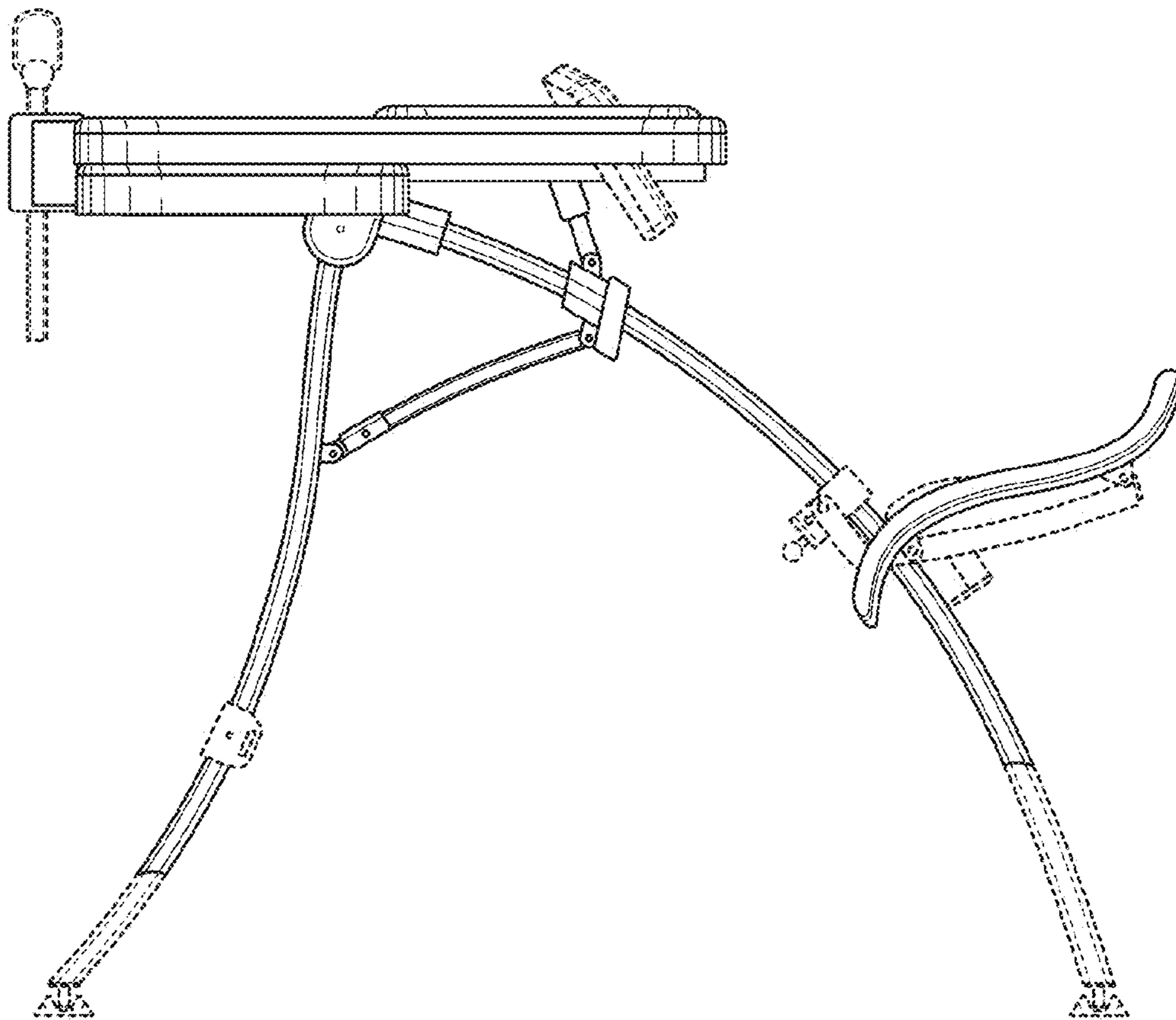


Fig. 3

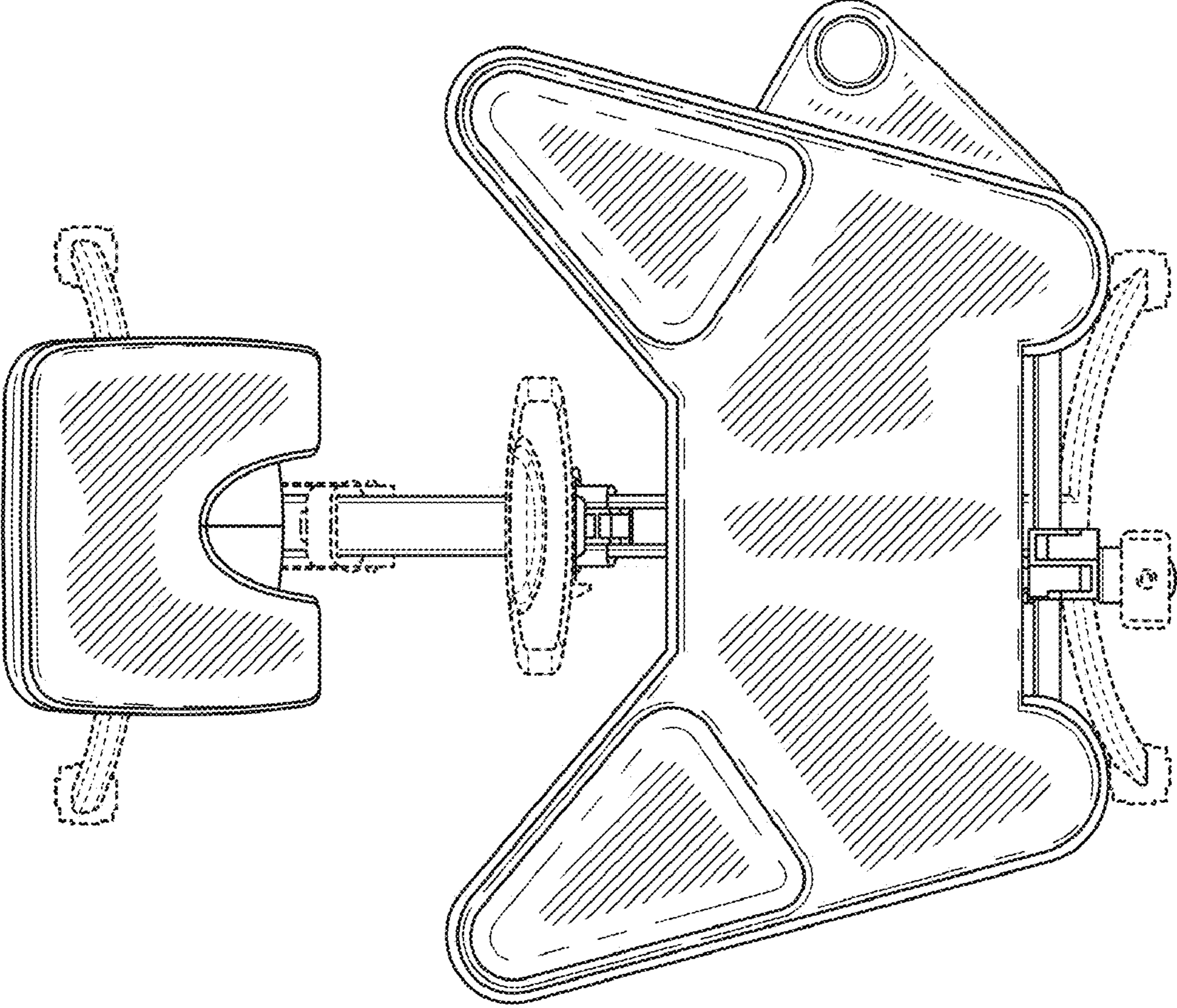


Fig. 4

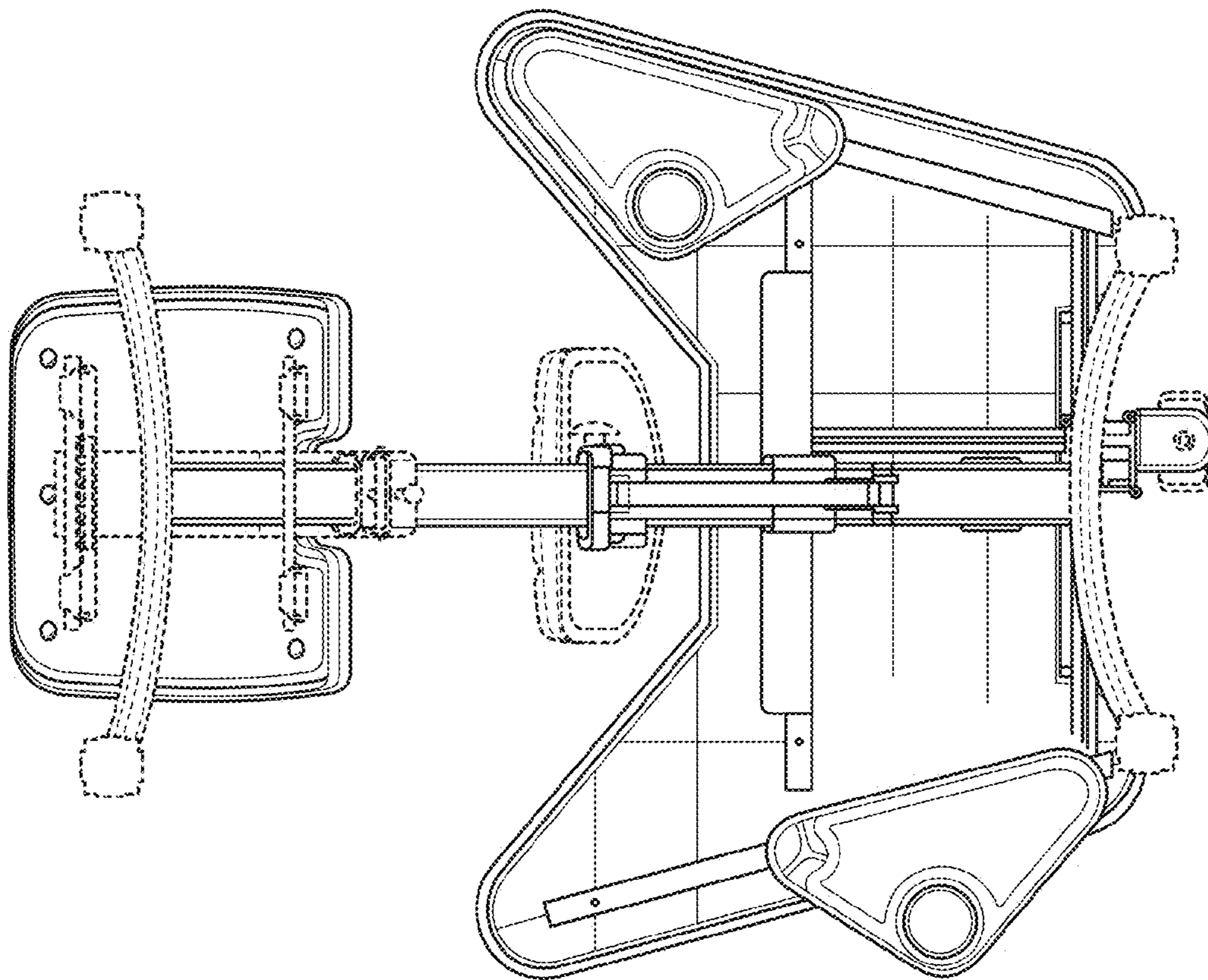


Fig. 5

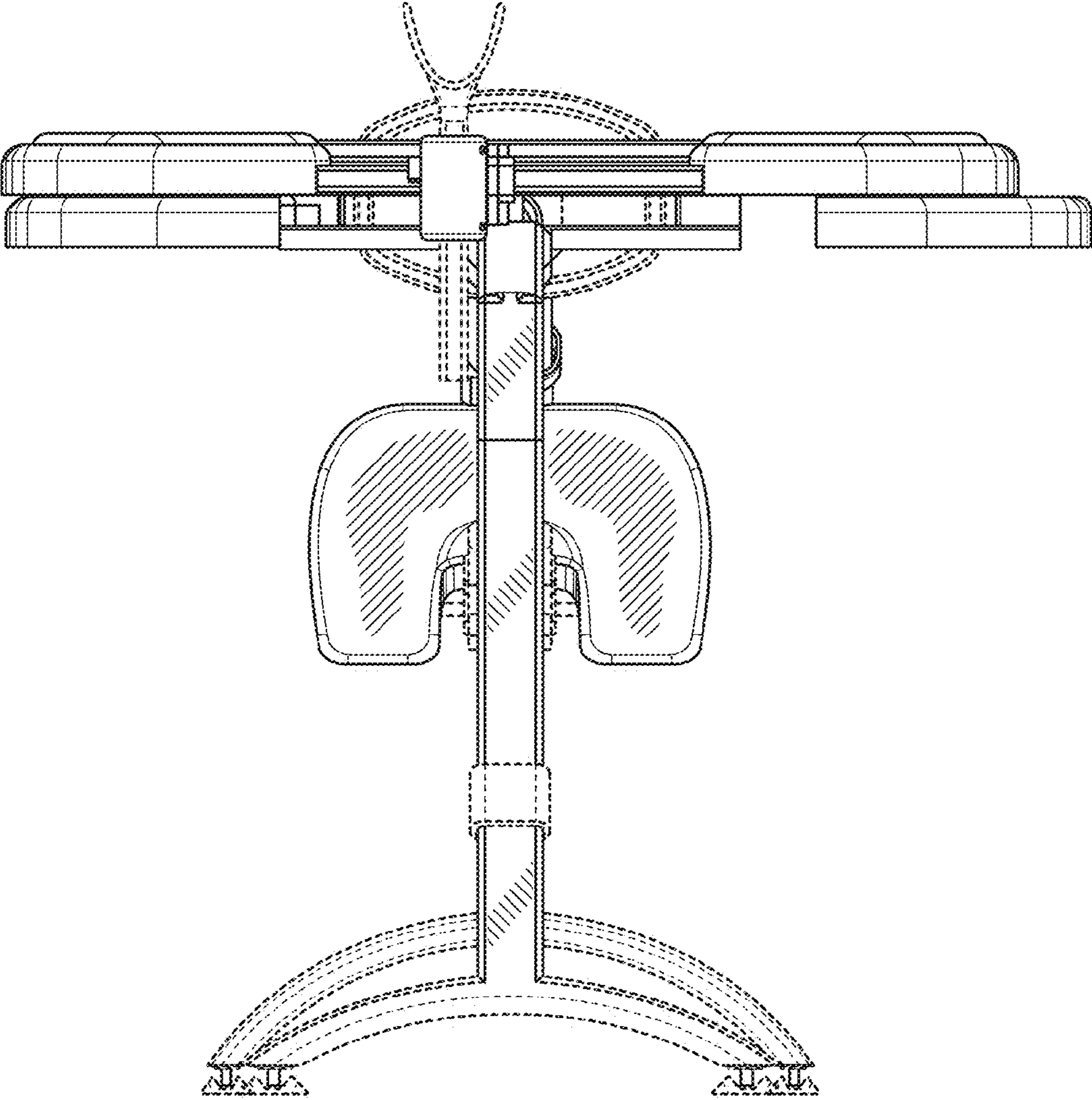


Fig. 6

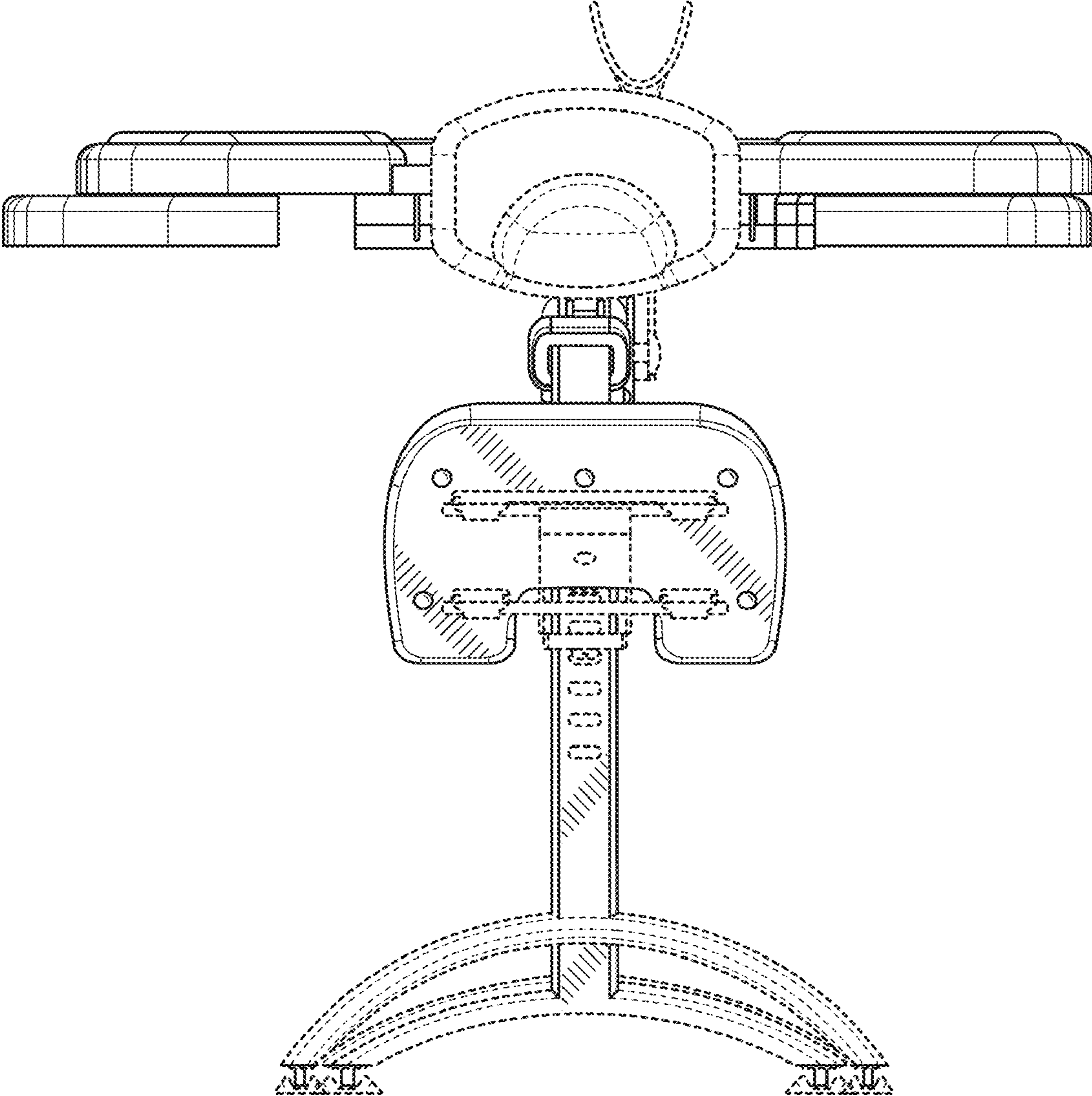


Fig. 7