



US00D675278S

(12) **United States Design Patent**
Pennington

(10) **Patent No.:** **US D675,278 S**

(45) **Date of Patent:** **** Jan. 29, 2013**

(54) **GUN VAULT**

(76) **Inventor:** **Billy Pennington**, Little Rock, AR (US)

(**) **Term:** **14 Years**

(21) **Appl. No.:** **29/392,081**

(22) **Filed:** **May 17, 2011**

(51) **LOC (9) Cl.** **22-01**

(52) **U.S. Cl.** **D22/108; D22/199**

(58) **Field of Classification Search** D11/176;
D22/108, 199; 42/70.11; 211/13.1, 60.1,
211/64, 70.2, 70.6, 70.8, 276-289, 261-268,
211/226-227, 232; D6/552-567; 224/912,
224/931

See application file for complete search history.

(56) **References Cited**

U.S. PATENT DOCUMENTS

3,345,027	A	*	10/1967	Taylor	248/176.1
D231,998	S	*	7/1974	Holt	D99/42
D281,983	S	*	12/1985	Yasufuku	D19/61
D407,747	S	*	4/1999	Liu	D19/28
D416,044	S	*	11/1999	Martin	D19/61

D545,902	S	*	7/2007	Keith	D19/61
D587,051	S	*	2/2009	Vining	D6/552
D590,097	S	*	4/2009	Tam	D26/104

* cited by examiner

Primary Examiner — Michael A Pratt

(74) *Attorney, Agent, or Firm* — Joe D. Calhoun; Rashauna A. Norment

(57) **CLAIM**

The ornamental design for a gun vault, as shown and described.

DESCRIPTION

FIG. 1 is a right elevation view of a gun vault showing my new design in an open position, the opposite side being a mirror image of the shown;

FIG. 2 is a right elevation view thereof in a closed position, the opposite side being a mirror image of the shown;

FIG. 3 is a rear elevation view thereof;

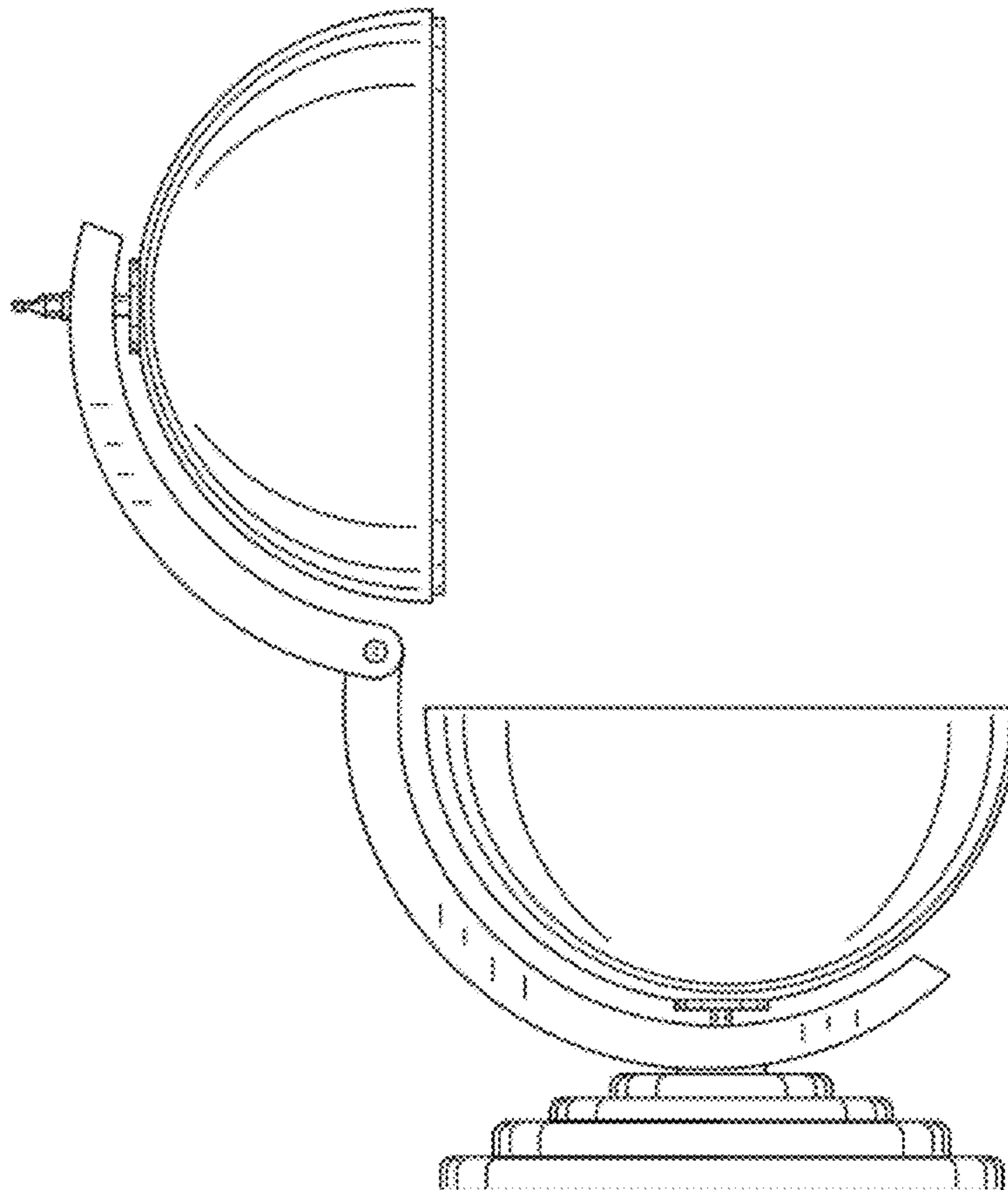
FIG. 4 is a front elevation view thereof;

FIG. 5 is a top plan view thereof in an open position;

FIG. 6 is a bottom plan view thereof in an open position; and,

FIG. 7 is an isometric view thereof.

1 Claim, 6 Drawing Sheets



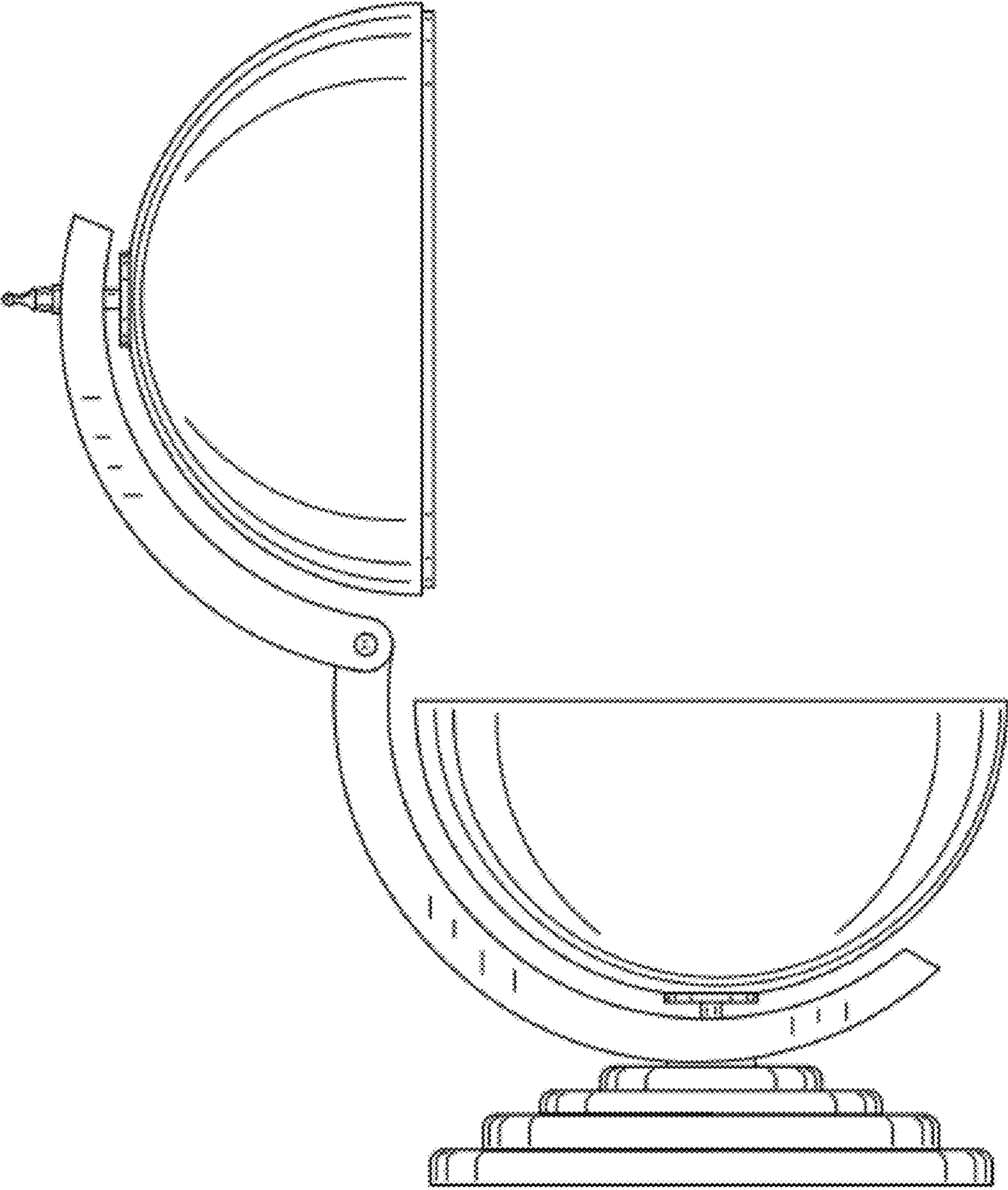


FIG. 1

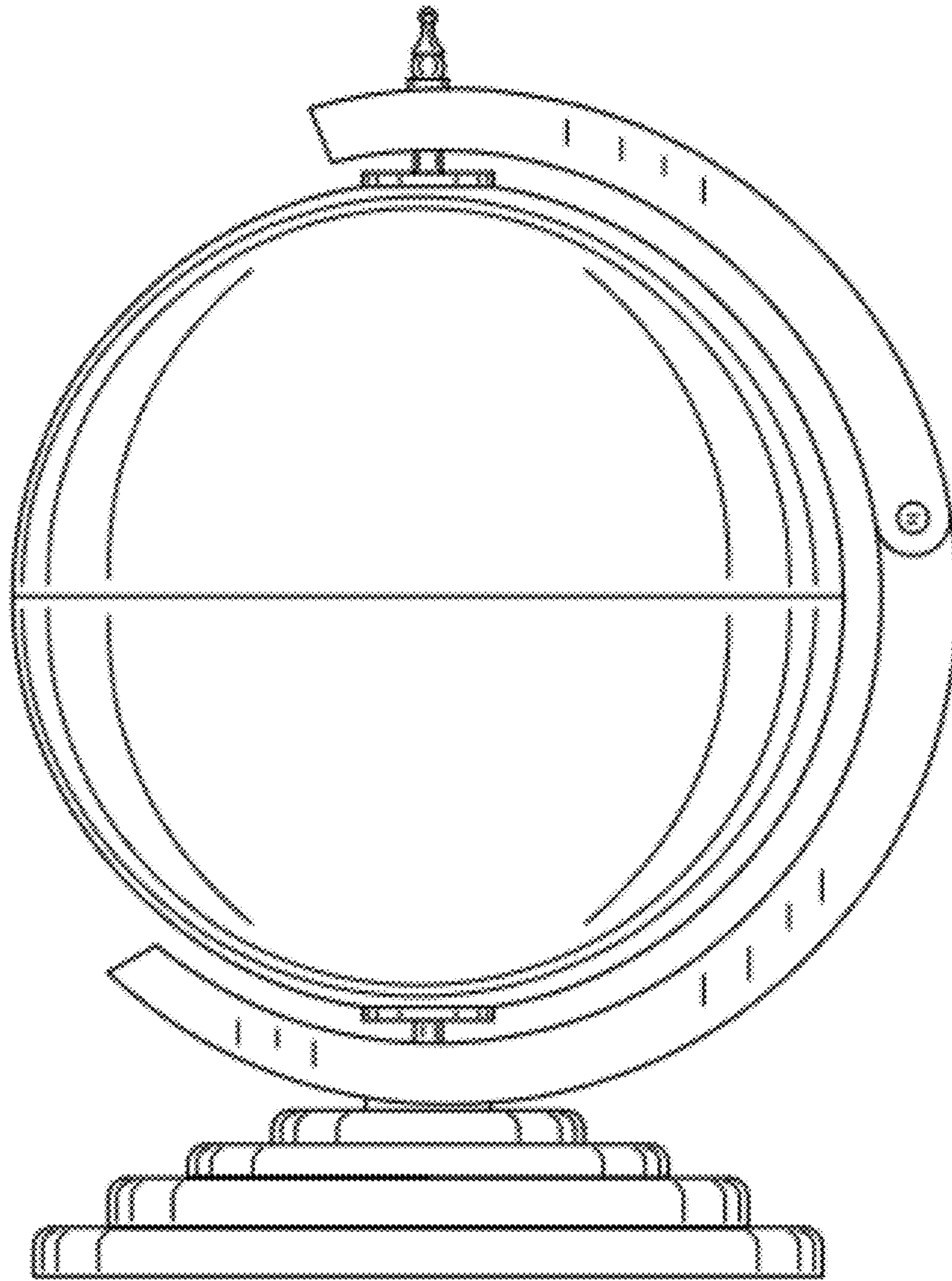


FIG. 2

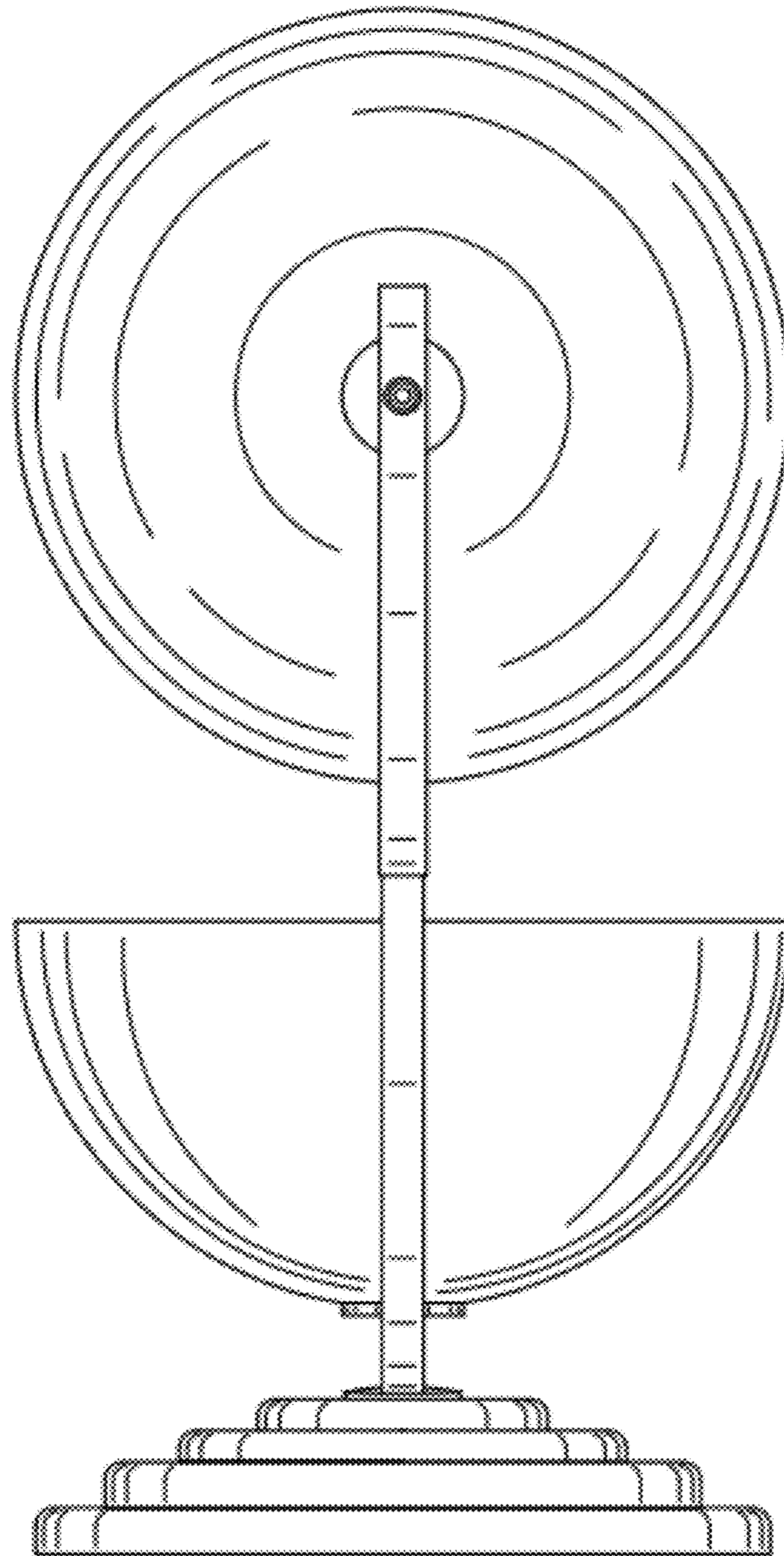


FIG. 3

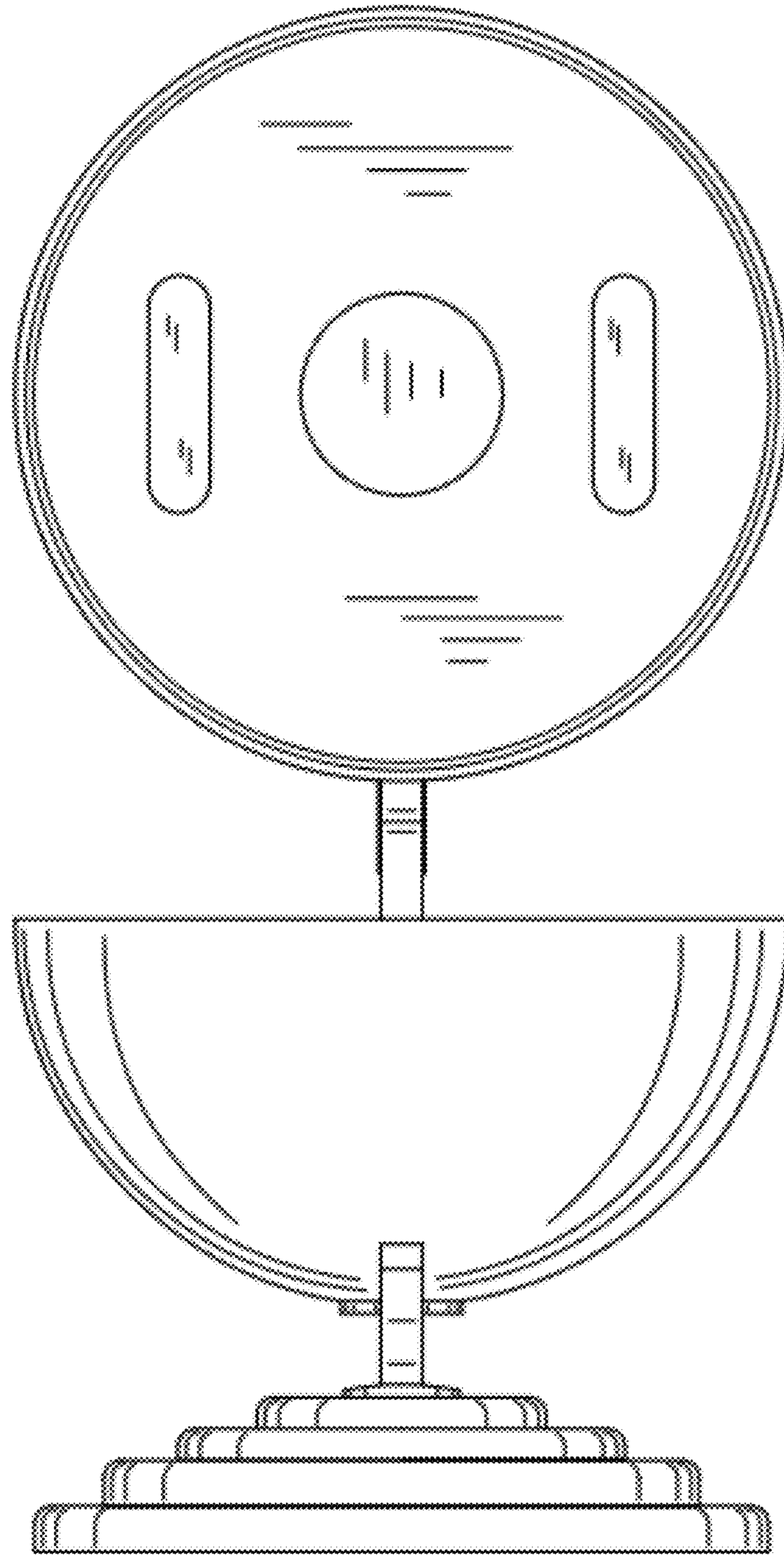


FIG. 4

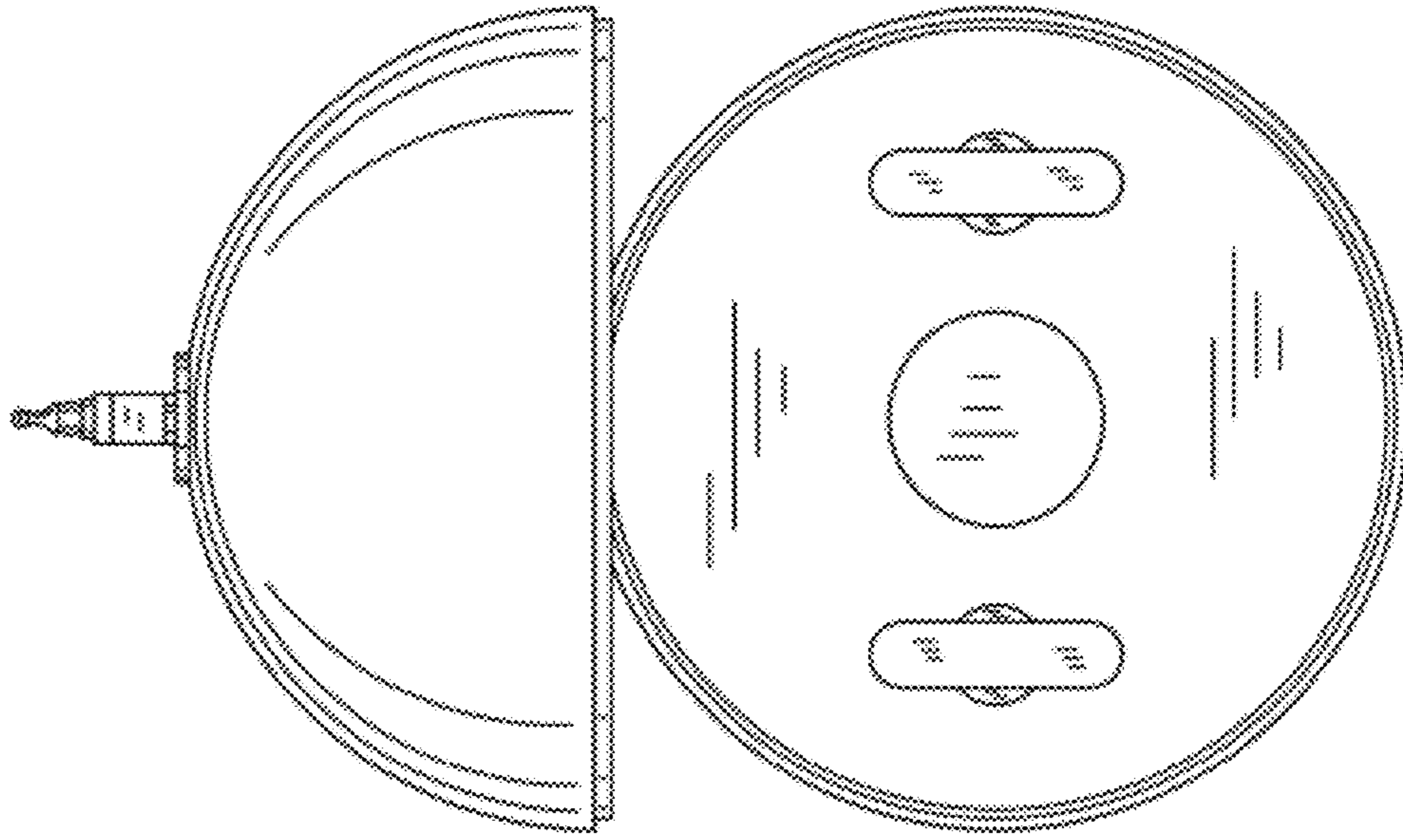


FIG. 5

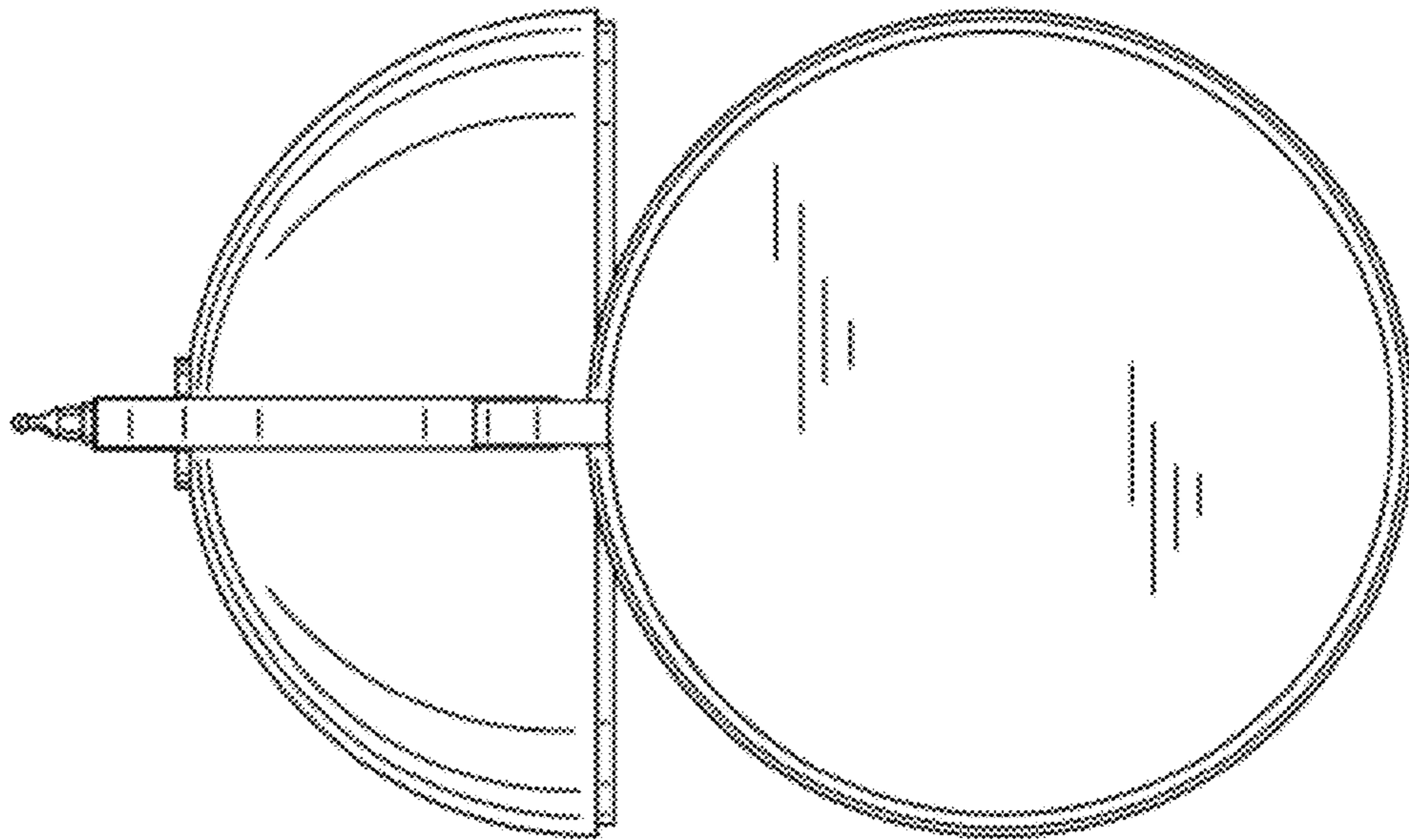


FIG. 6

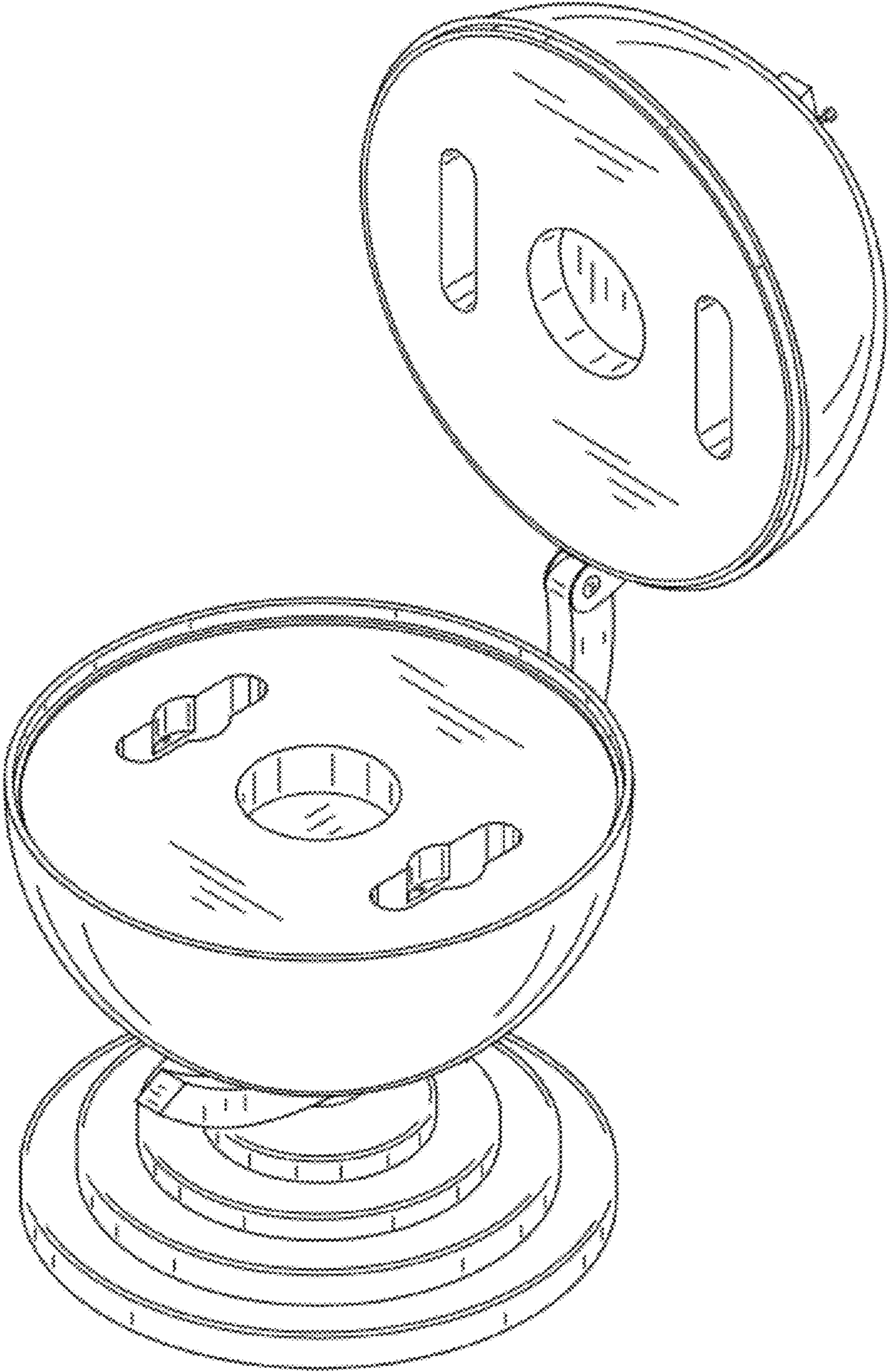


FIG. 7