



US00D675275S

(12) **United States Design Patent**
Hunter

(10) **Patent No.:** **US D675,275 S**

(45) **Date of Patent:** **** Jan. 29, 2013**

(54) **GAME ASSEMBLY**

(75) Inventor: **Andrew Hunter**, Mt. Pleasant, SC (US)

(73) Assignee: **Andrew Hunter**, Mt. Pleasant, SC (US)

(**) Term: **14 Years**

(21) Appl. No.: **29/412,604**

(22) Filed: **Feb. 6, 2012**

(51) **LOC (9) Cl.** **21-03**

(52) **U.S. Cl.** **D21/811**

(58) **Field of Classification Search** D21/811,
D21/814, 835, 797; 482/14-18, 35-36
See application file for complete search history.

(56) **References Cited**

U.S. PATENT DOCUMENTS

| | | | | | |
|-----------|-----|--------|----------------|-------|---------|
| 3,892,402 | A * | 7/1975 | Montour et al. | | 482/15 |
| 5,005,828 | A * | 4/1991 | Sauerbrey | | 482/17 |
| 5,643,139 | A * | 7/1997 | Stout et al. | | 482/14 |
| D422,667 | S * | 4/2000 | Lau | | D21/814 |
| D423,624 | S * | 4/2000 | Motosko | | D21/814 |
| D478,955 | S * | 8/2003 | Chen | | D21/797 |

* cited by examiner

Primary Examiner — Mitchell Siegel

(74) *Attorney, Agent, or Firm* — Andrew D. Gerschutz;
Moore & Van Allen PLLC

(57) **CLAIM**

We claim the ornamental design for game assembly and the like, as shown and described.

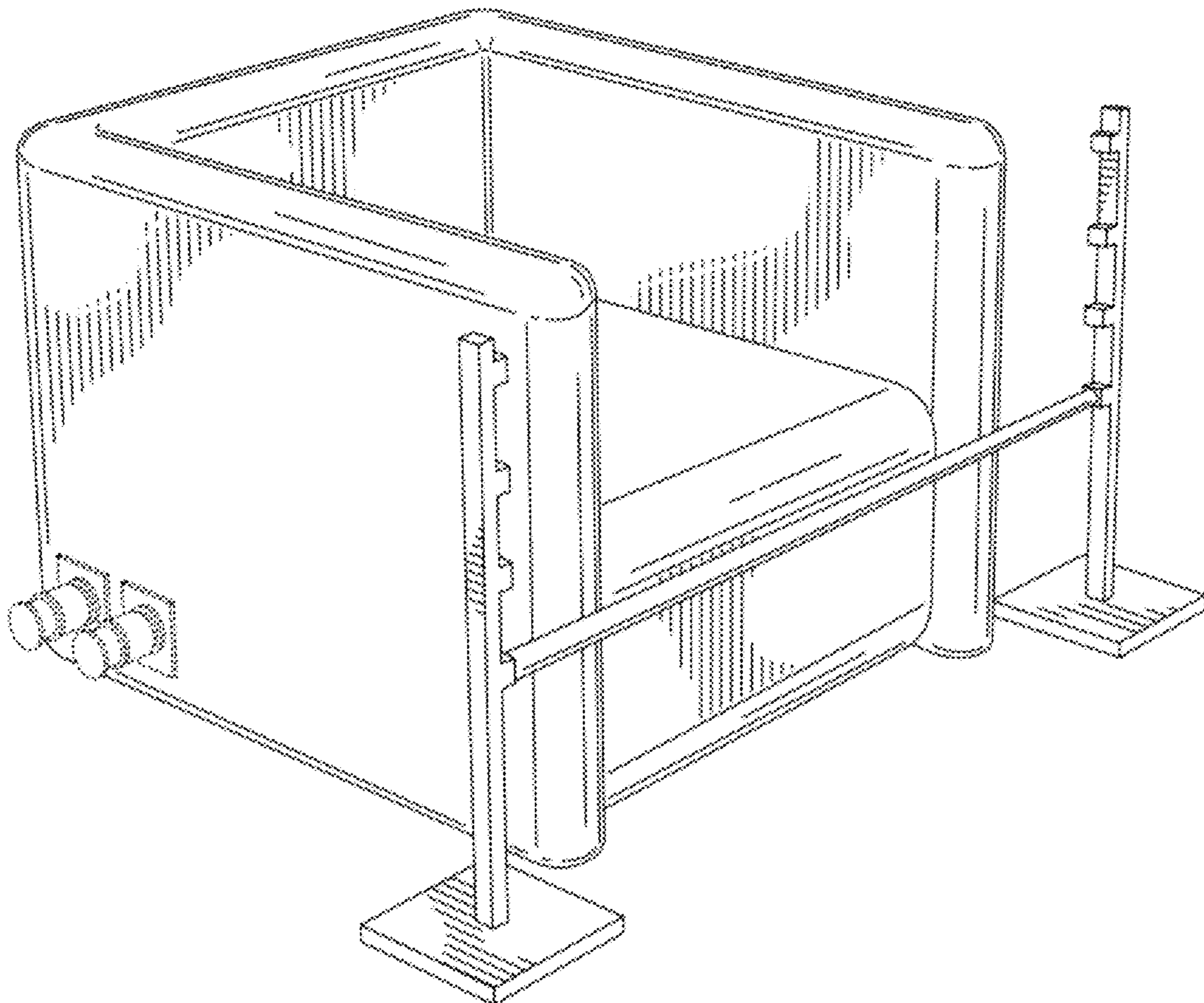
DESCRIPTION

FIG. 1 is a perspective view of a first embodiment of a game assembly showing the invention;
FIG. 2 is a front elevation view thereof;
FIG. 3 is a rear elevation view thereof;
FIG. 4 is a side elevation view thereof;
FIG. 5 is a side elevation view thereof;
FIG. 6 is a top plan view thereof;
FIG. 7 is a bottom plan view thereof; and,
FIG. 8 is a perspective view of thereof with the cross bar being shown in an alternate position.

The claim to the game assembly is directed to the collective appearance of the articles shown, including a jump castle body, a pair of posts, and a movable cross bar.

The portions shown in broken lines are included for illustrative purposes only and form no part of the claimed design.

1 Claim, 8 Drawing Sheets



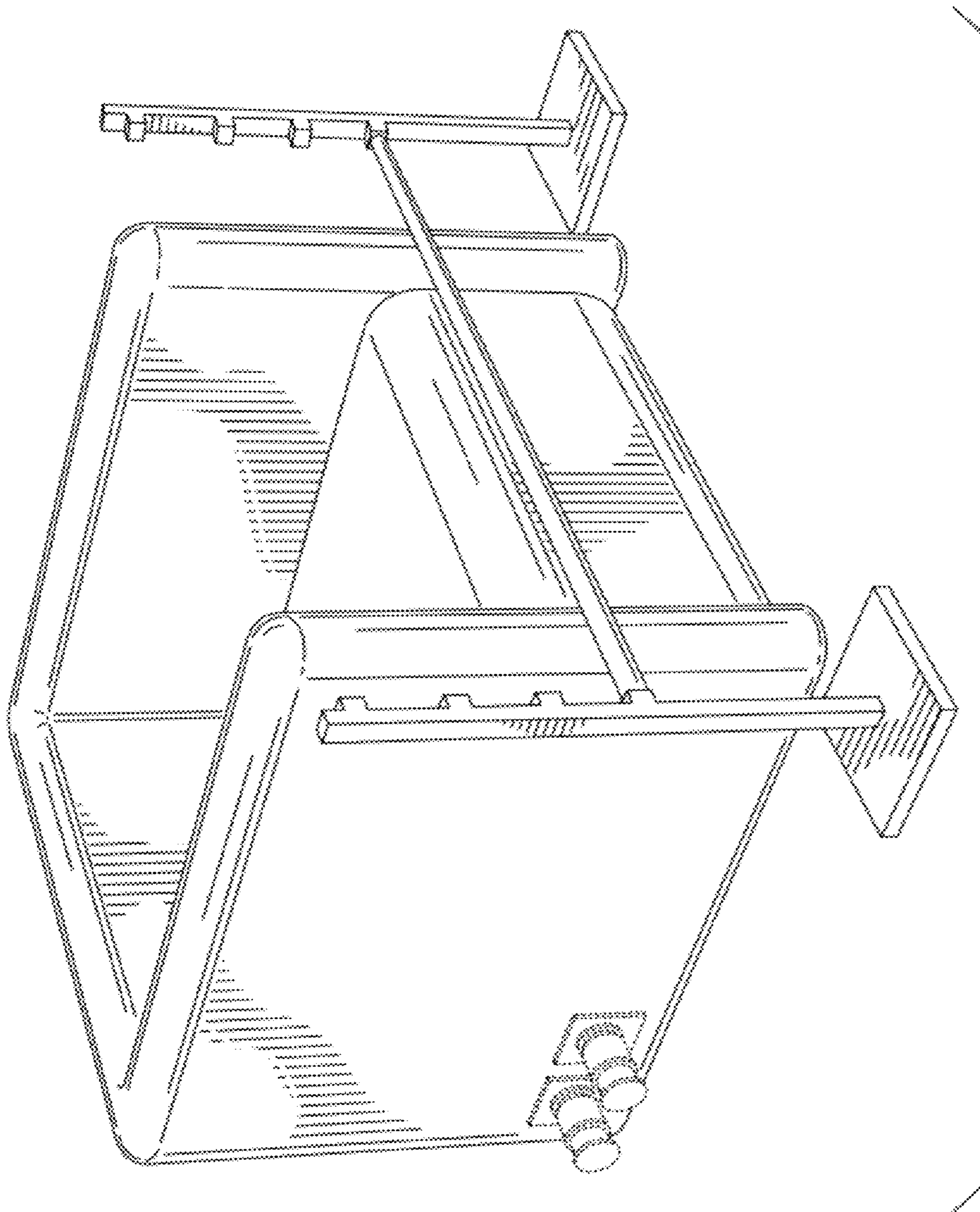


FIG. 1

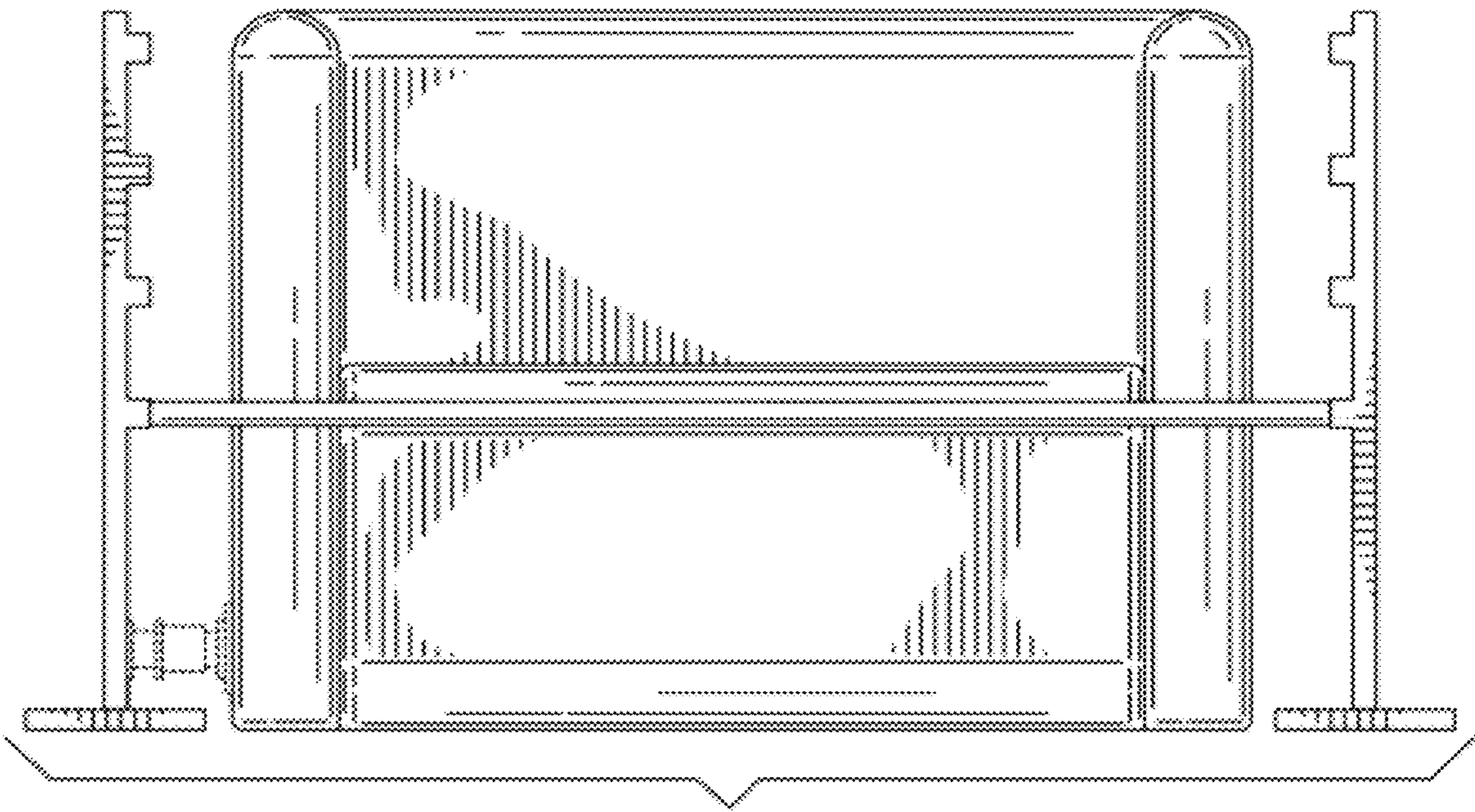


FIG. 2

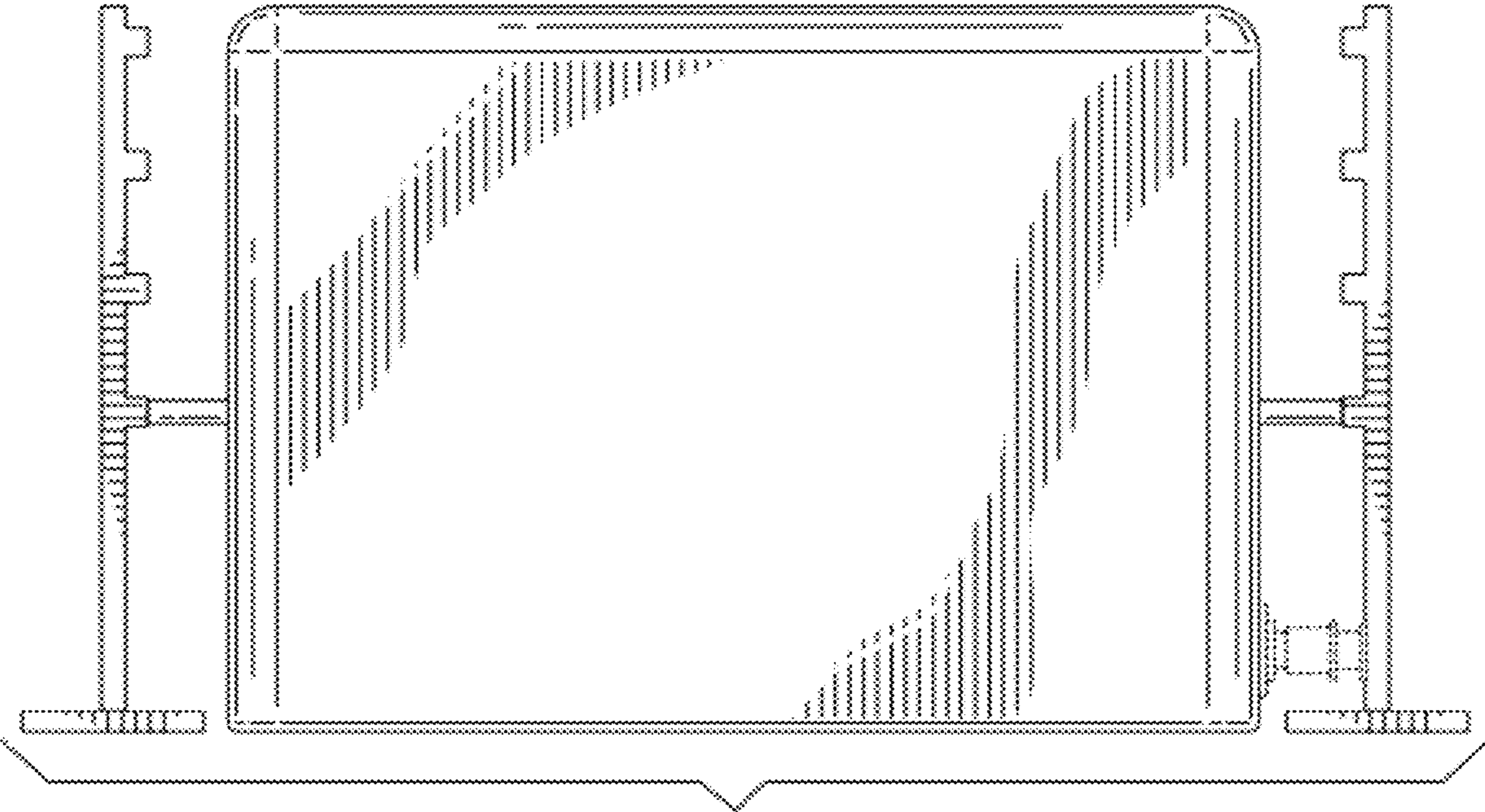


FIG. 3

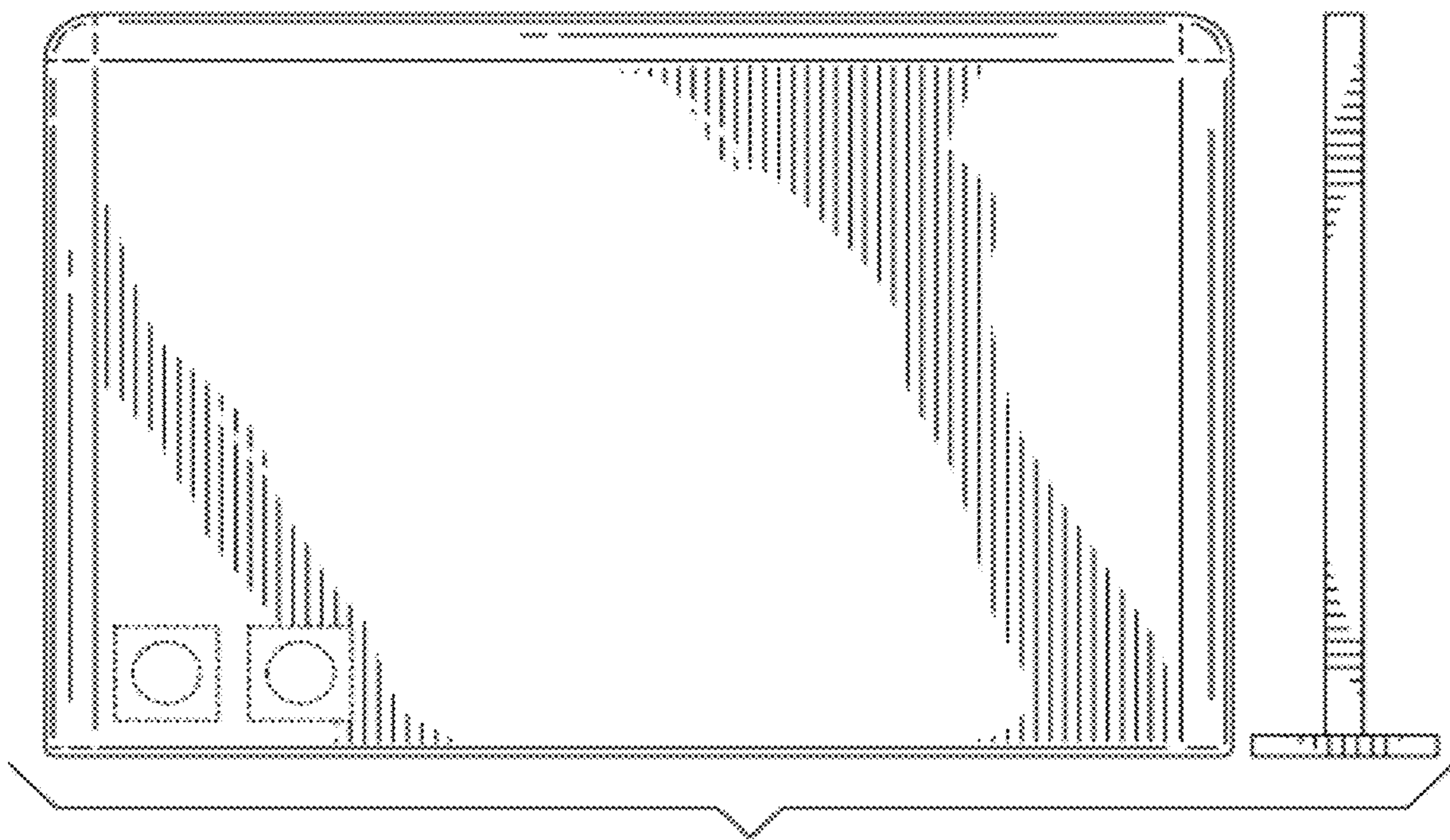


FIG. 4

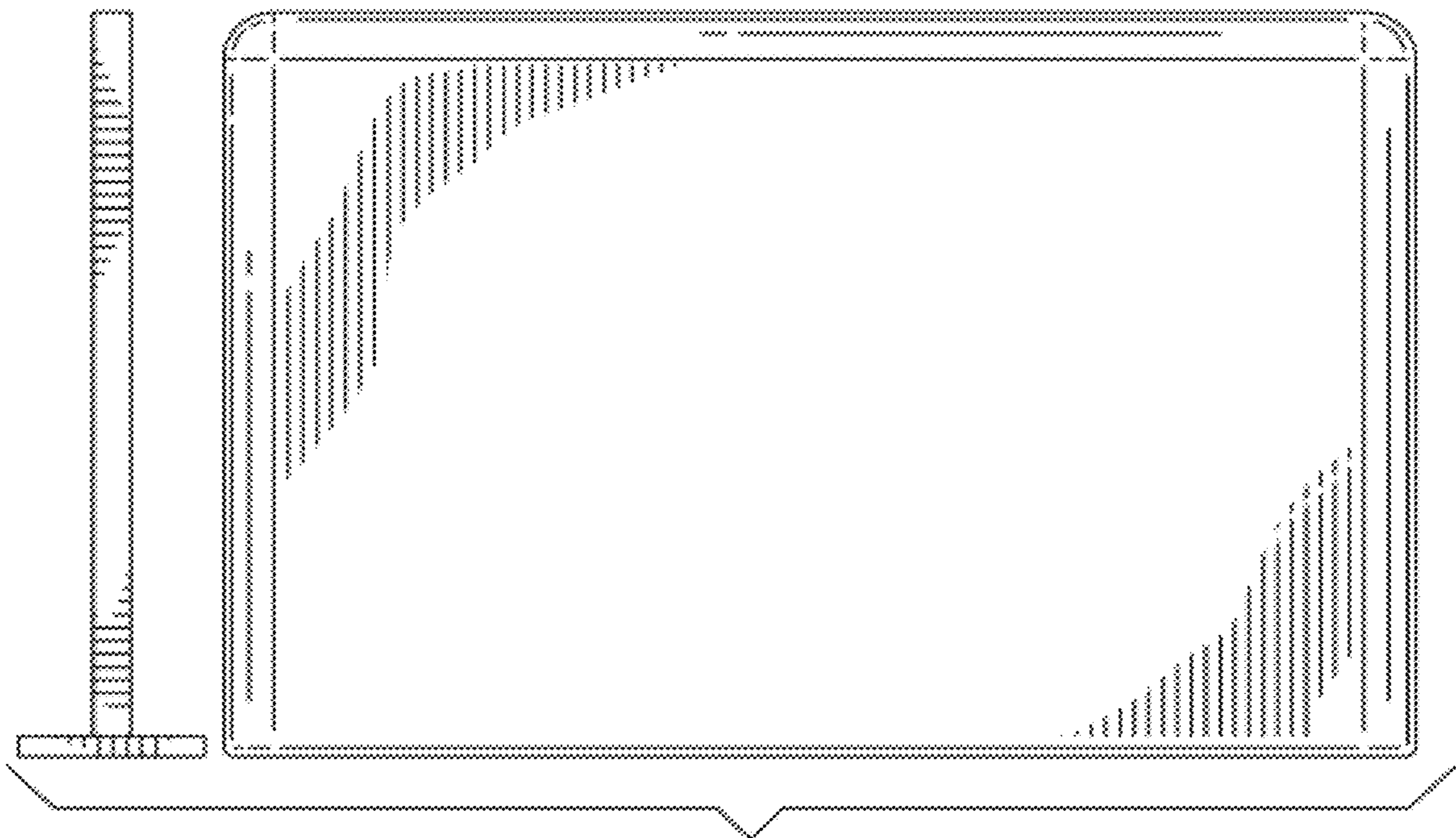


FIG. 5

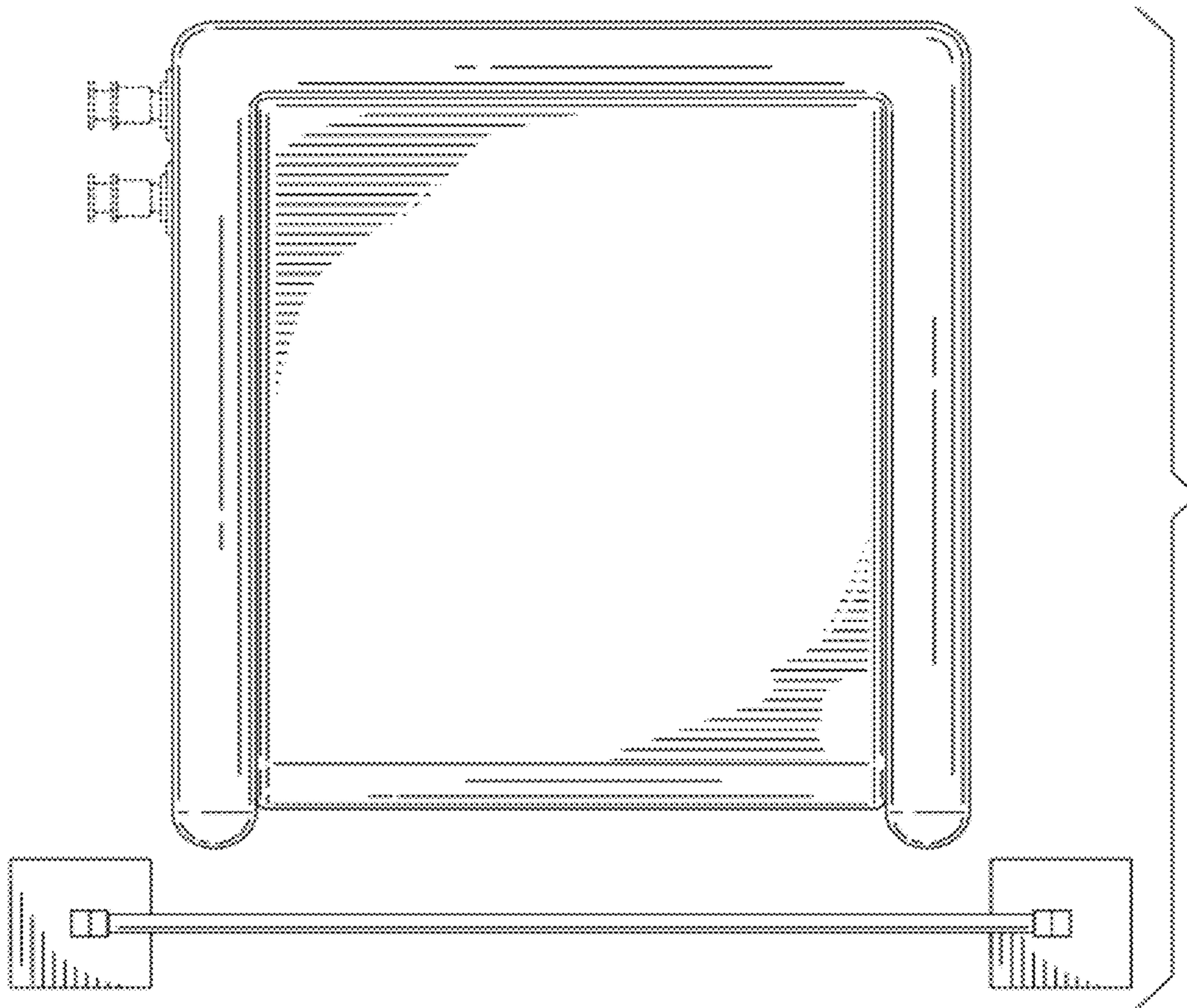


FIG. 6

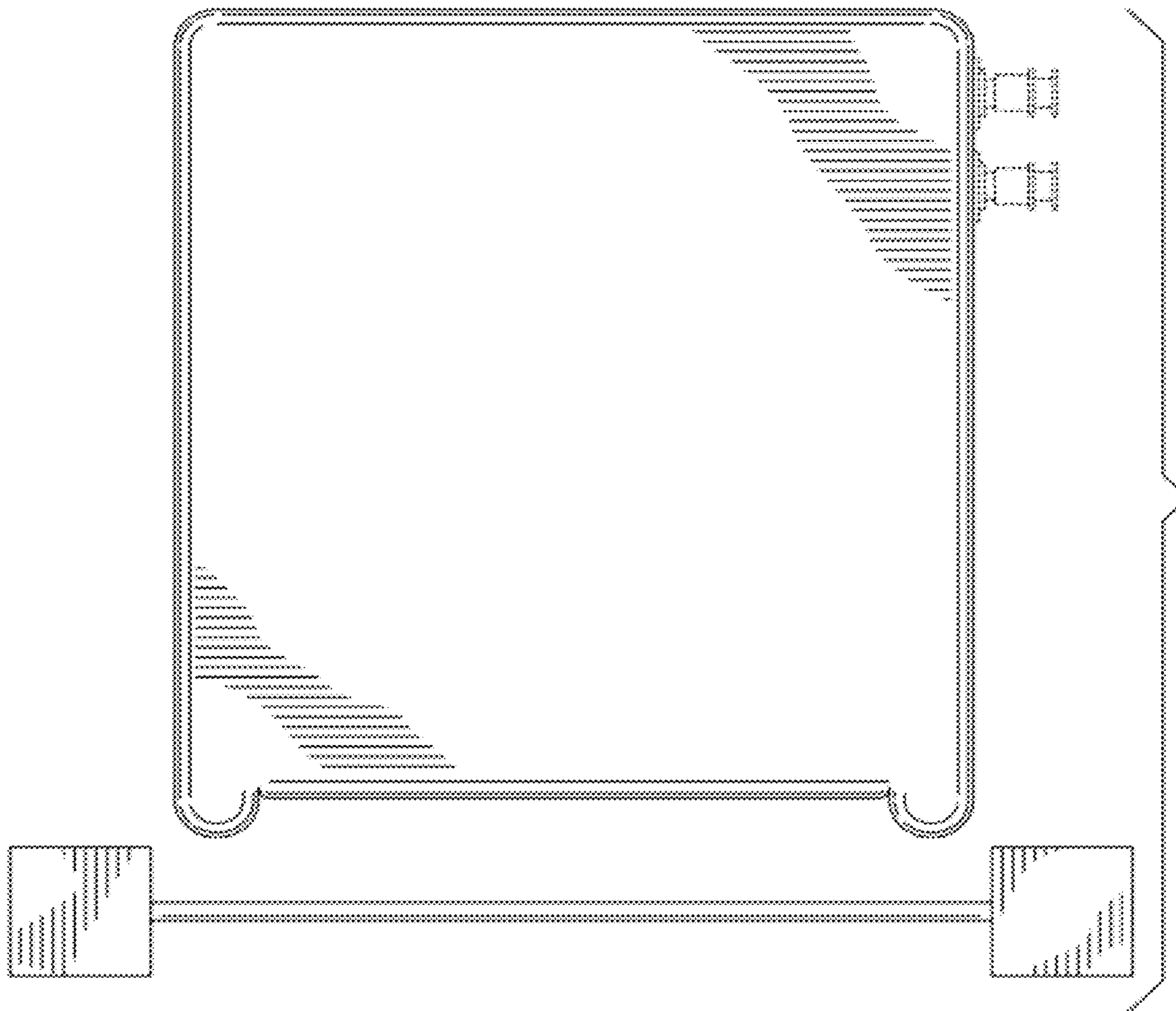


FIG. 7

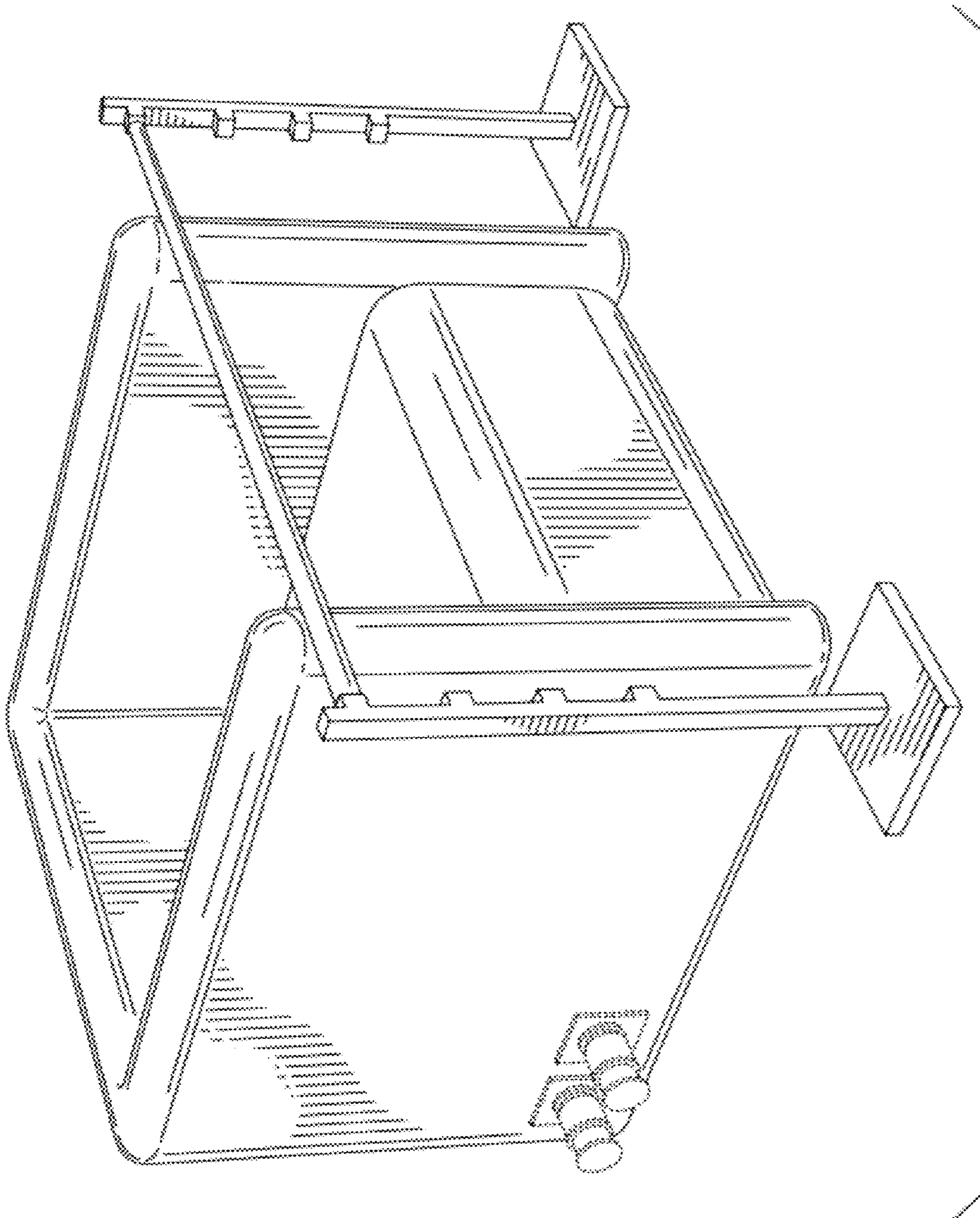


FIG. 8