

US00D675274S

(12) **United States Design Patent**
Wolfe

(10) **Patent No.:** **US D675,274 S**

(45) **Date of Patent:** **** Jan. 29, 2013**

(54) **SPORTS TRAINING DEVICE**

(76) **Inventor:** **Christopher Kenneth Wolfe**, Boulder,
CO (US)

(**) **Term:** **14 Years**

(21) **Appl. No.:** **29/412,680**

(22) **Filed:** **Feb. 7, 2012**

(51) **LOC (9) Cl.** **21-02**

(52) **U.S. Cl.** **D21/791**

(58) **Field of Classification Search** D21/789,
D21/791, 753, 759; 473/226–229, 560–563,
473/437, 219

See application file for complete search history.

(56) **References Cited**

U.S. PATENT DOCUMENTS

2,134,351	A	10/1938	Mogren	
3,863,917	A	2/1975	Beale	
4,023,797	A	5/1977	Sarrasin	
4,145,054	A *	3/1979	Stewart	473/227
4,364,560	A *	12/1982	Gemmel	473/437
4,516,769	A	5/1985	Kopp	
5,120,055	A	6/1992	McCarthy et al.	
D387,835	S *	12/1997	Abram et al.	D21/791
5,776,006	A *	7/1998	Gruber	473/256
5,816,945	A	10/1998	Todd et al.	
5,846,143	A *	12/1998	Brock et al.	473/409
6,270,430	B1	8/2001	Nicoloff	
6,328,666	B1 *	12/2001	Manory	473/437
6,491,591	B1 *	12/2002	Schuster	473/212
6,592,474	B1	7/2003	Halsworth	
D485,325	S *	1/2004	Rohan-Weaver	D21/789
6,716,120	B1	4/2004	Normand	
D515,641	S *	2/2006	Morales	D21/727
D567,892	S *	4/2008	Wagen et al.	D21/791

D579,068	S *	10/2008	Souders et al.	D21/753
D581,005	S *	11/2008	Rush	D21/791
D590,469	S *	4/2009	Pepin	D21/759
7,762,913	B1	7/2010	Hagen et al.	
2005/0187027	A1 *	8/2005	Jackson	473/226
2006/0079341	A1 *	4/2006	Mansour	473/219
2006/0122000	A1 *	6/2006	Paredes et al.	473/219
2010/0240476	A1	9/2010	Des Roches	
2011/0124442	A1	5/2011	Erme	
2011/0237359	A1	9/2011	Purl	

* cited by examiner

Primary Examiner — Mitchell Siegel

(74) *Attorney, Agent, or Firm* — Paul M. Thompson;
Cochran Freund & Young LLC

(57) **CLAIM**

The ornamental design for a sports training device, as shown and described.

DESCRIPTION

FIG. 1 is an isometric view of a sports training device showing my new design.

FIG. 2 is a top plan view thereof.

FIG. 3 is a bottom plan view thereof.

FIG. 4 is a right side elevation view thereof.

FIG. 5 is a left side elevation view thereof.

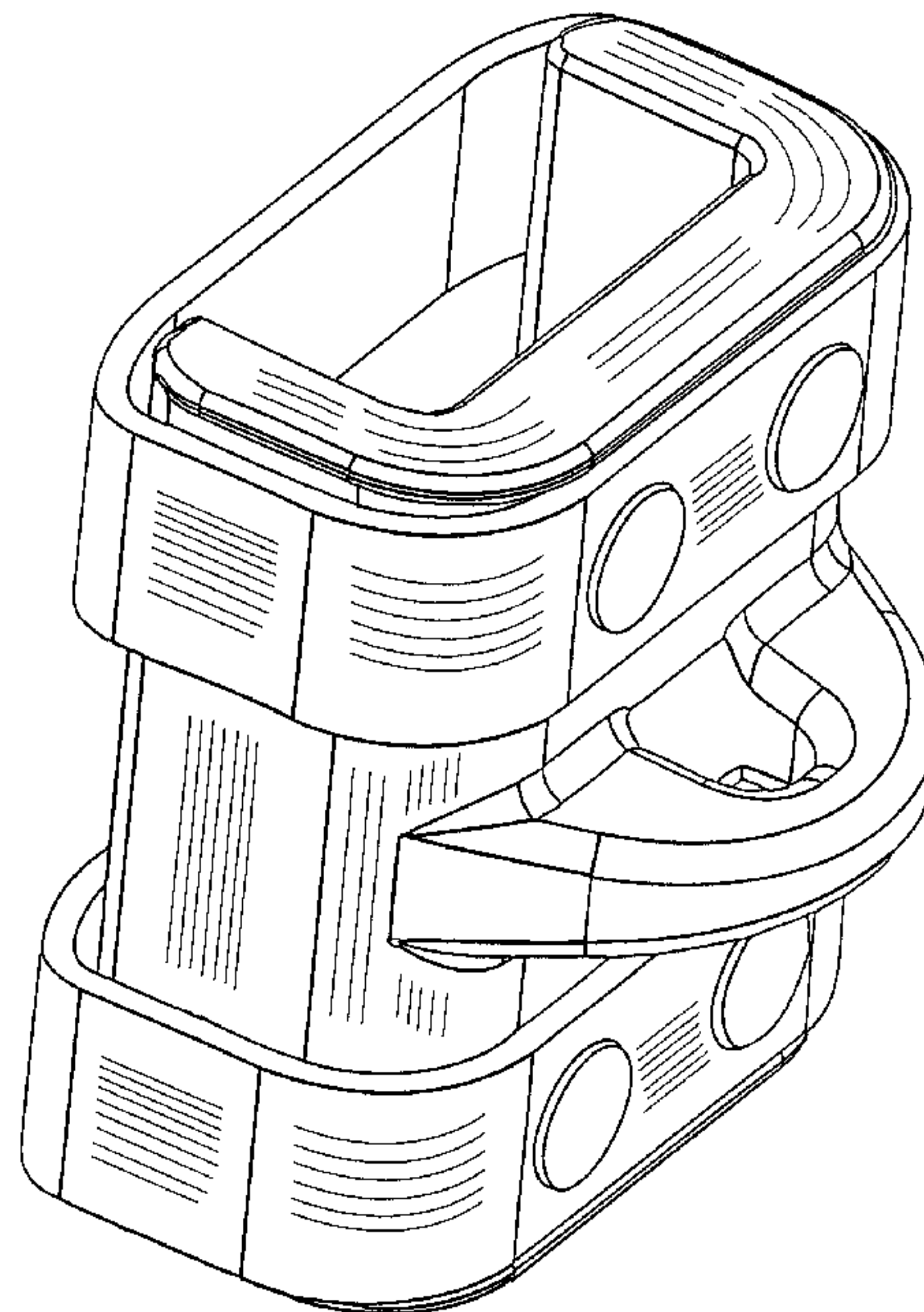
FIG. 6 is a rear elevation view thereof.

FIG. 7 is a front elevation view thereof; and,

FIG. 8 is an isometric view thereof showing an environment in which a sports training device may be used.

The broken line showing is included for the purpose of illustrating and forms no part of the claimed design.

1 Claim, 6 Drawing Sheets



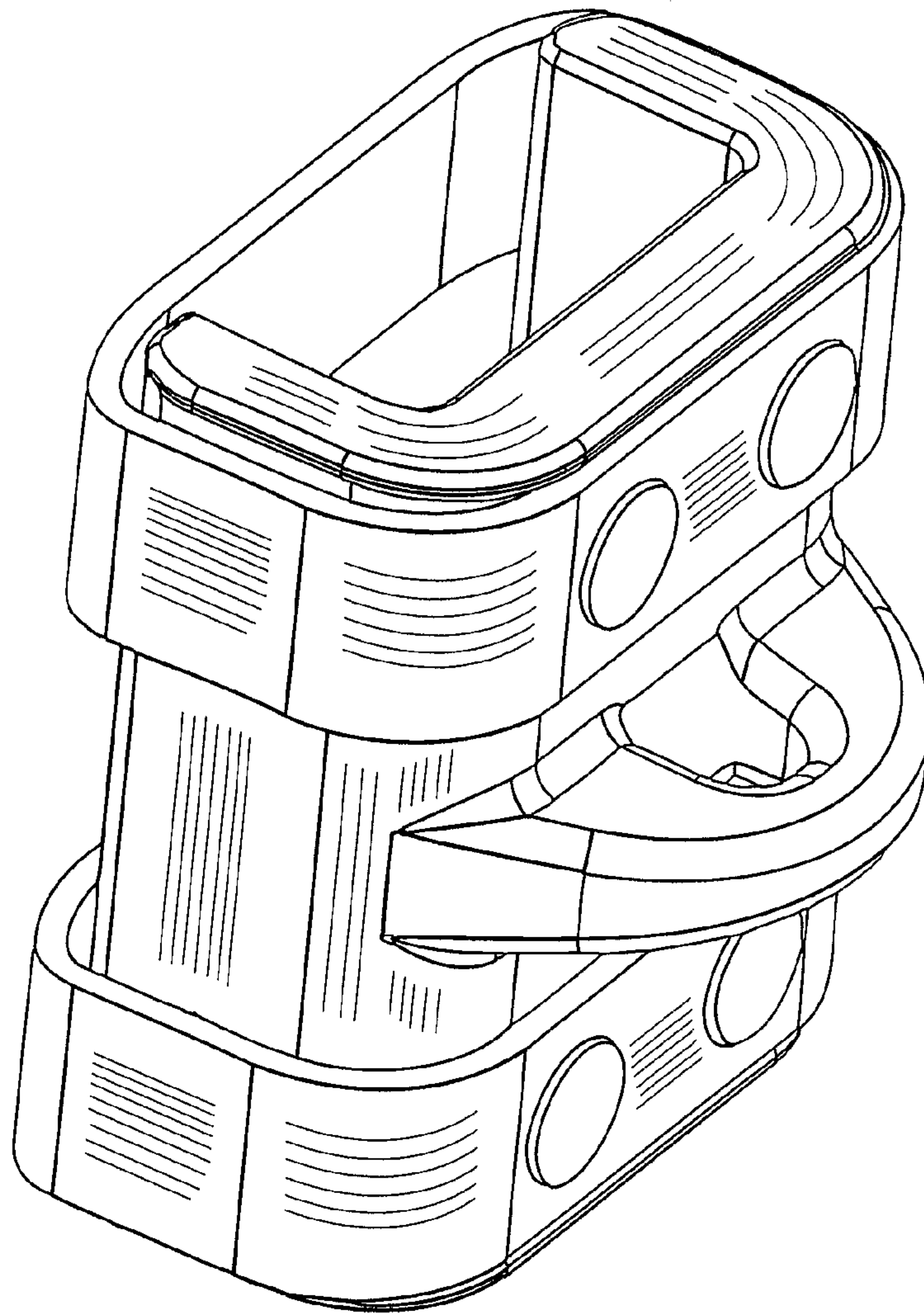


Fig. 1

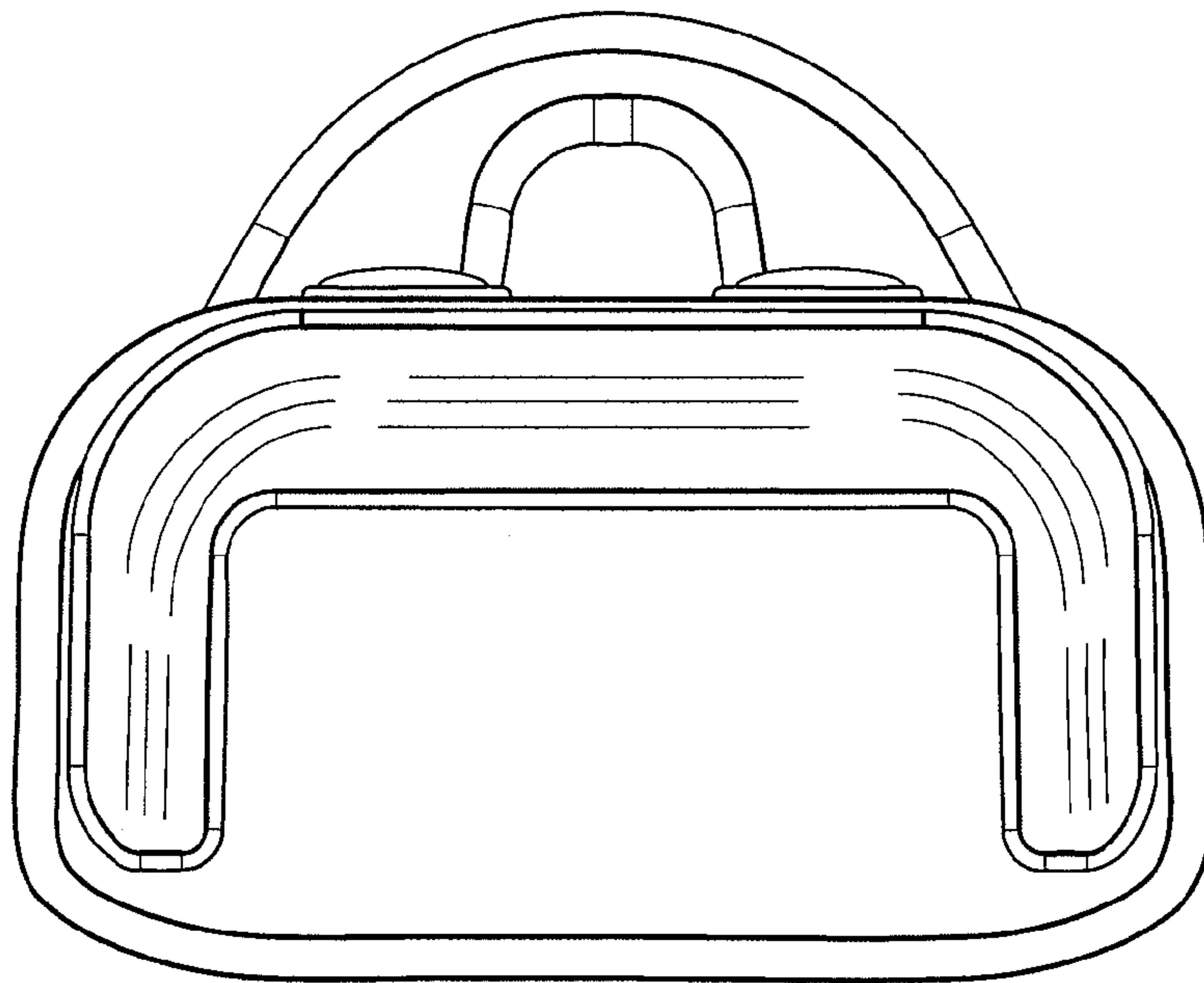


Fig. 2

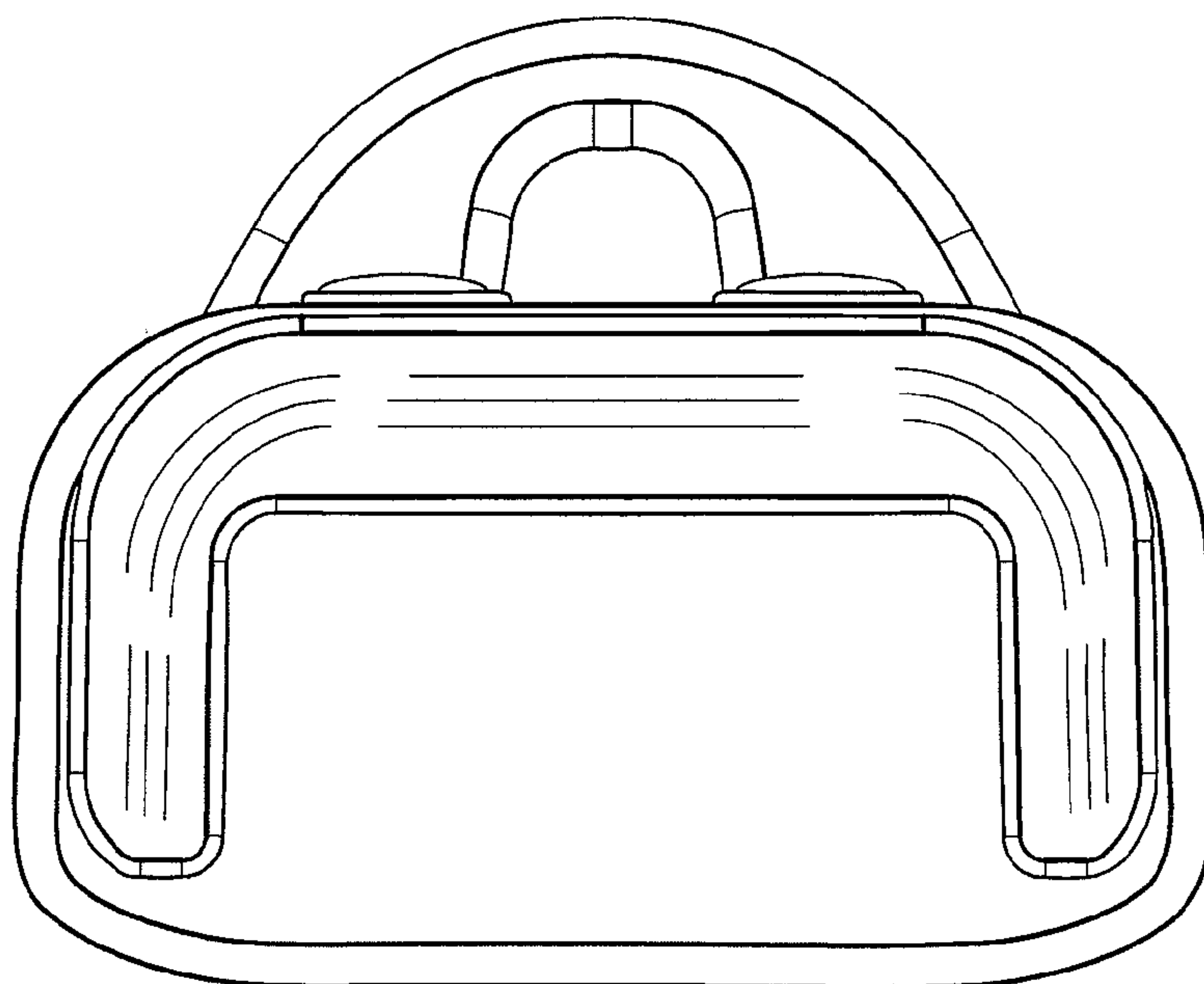


Fig. 3

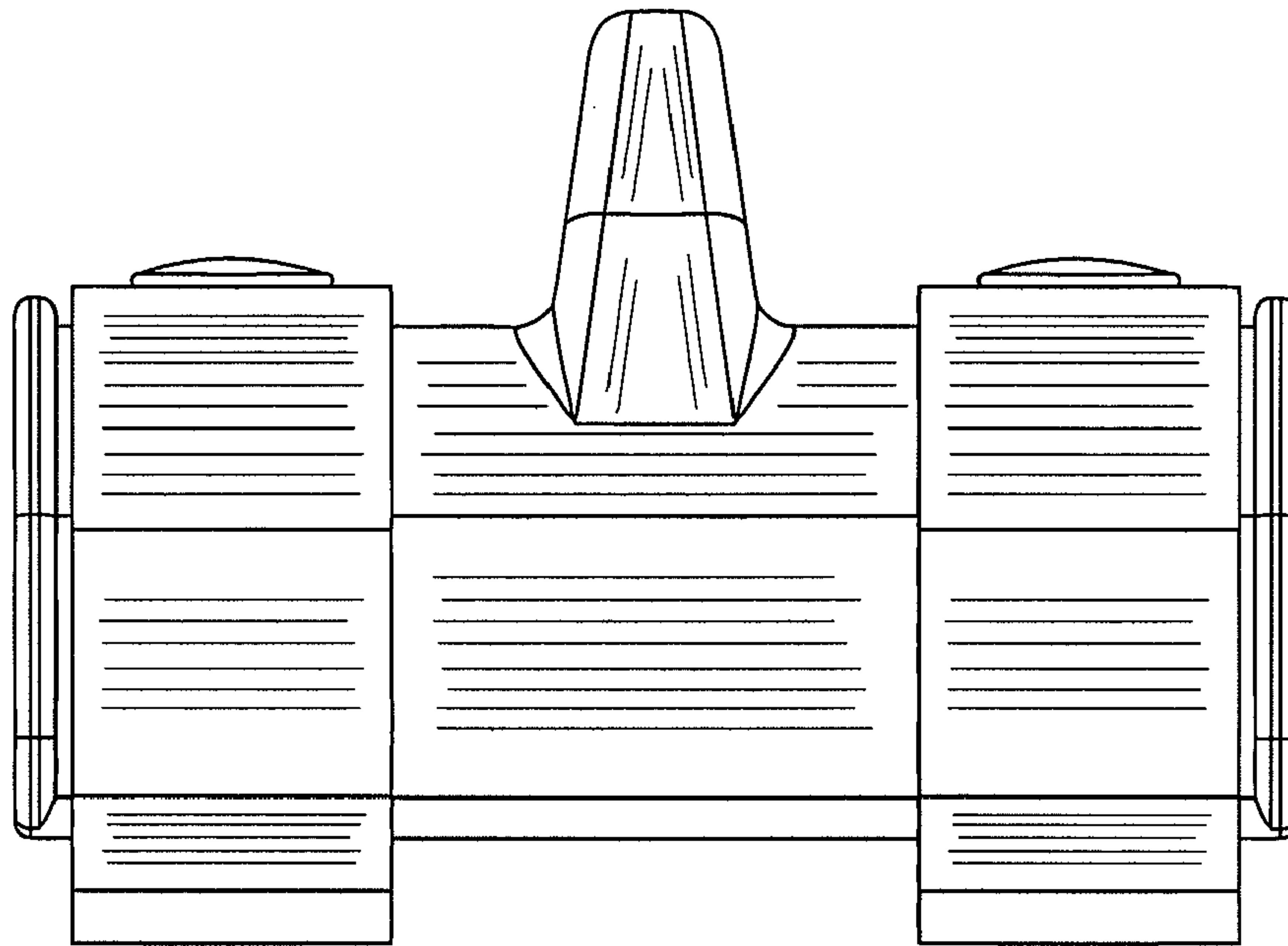


Fig. 4

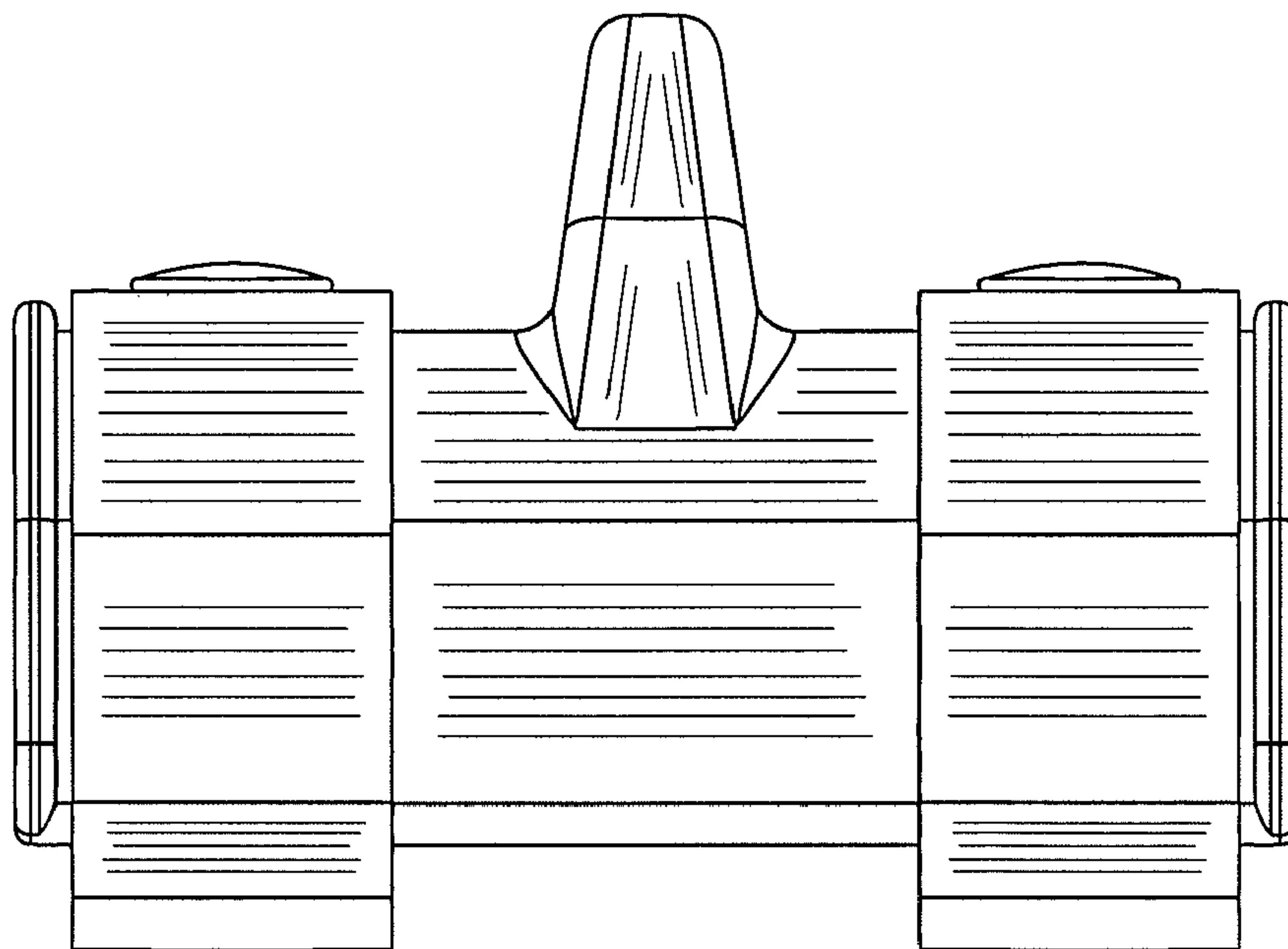


Fig. 5

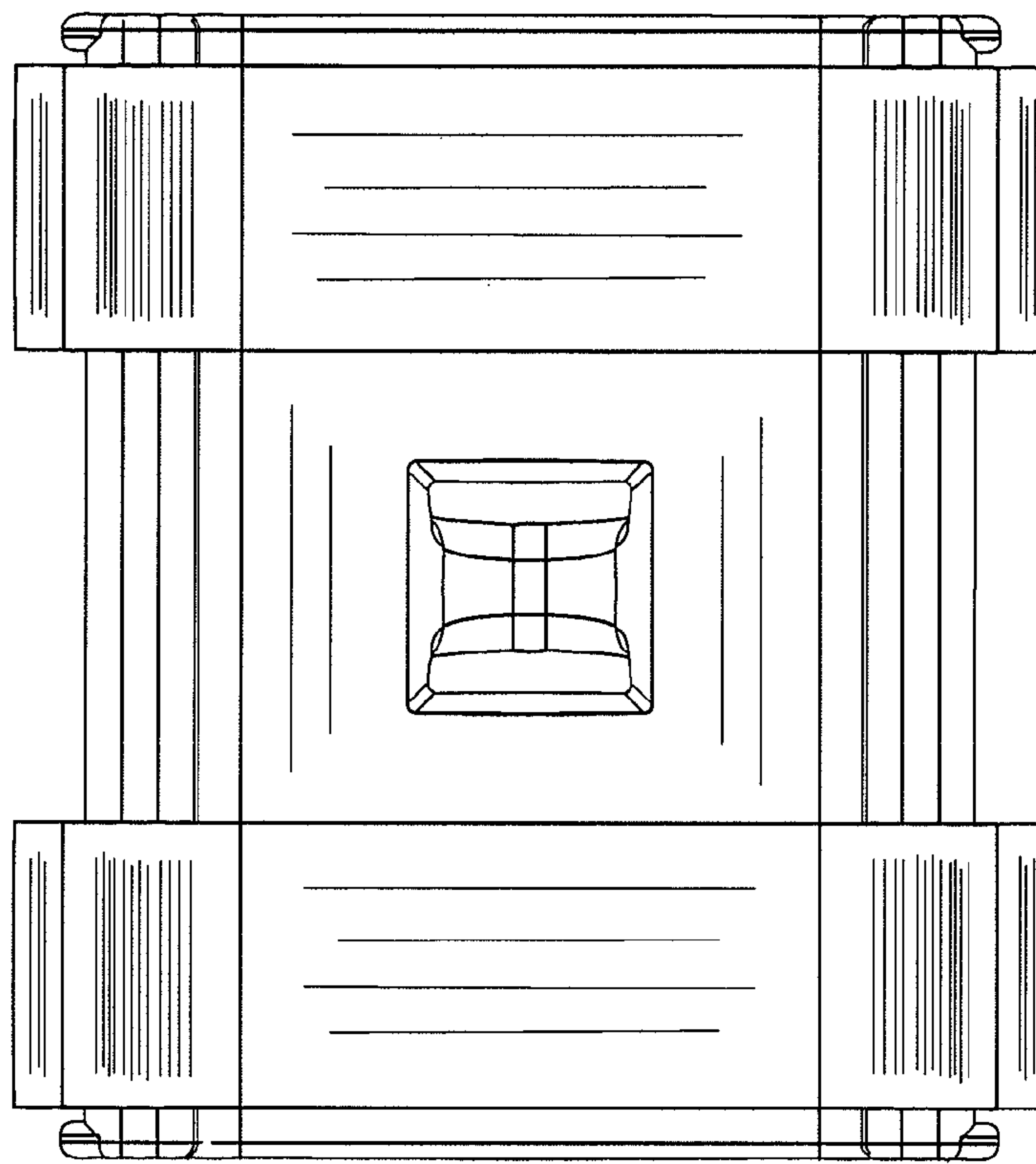


Fig. 6

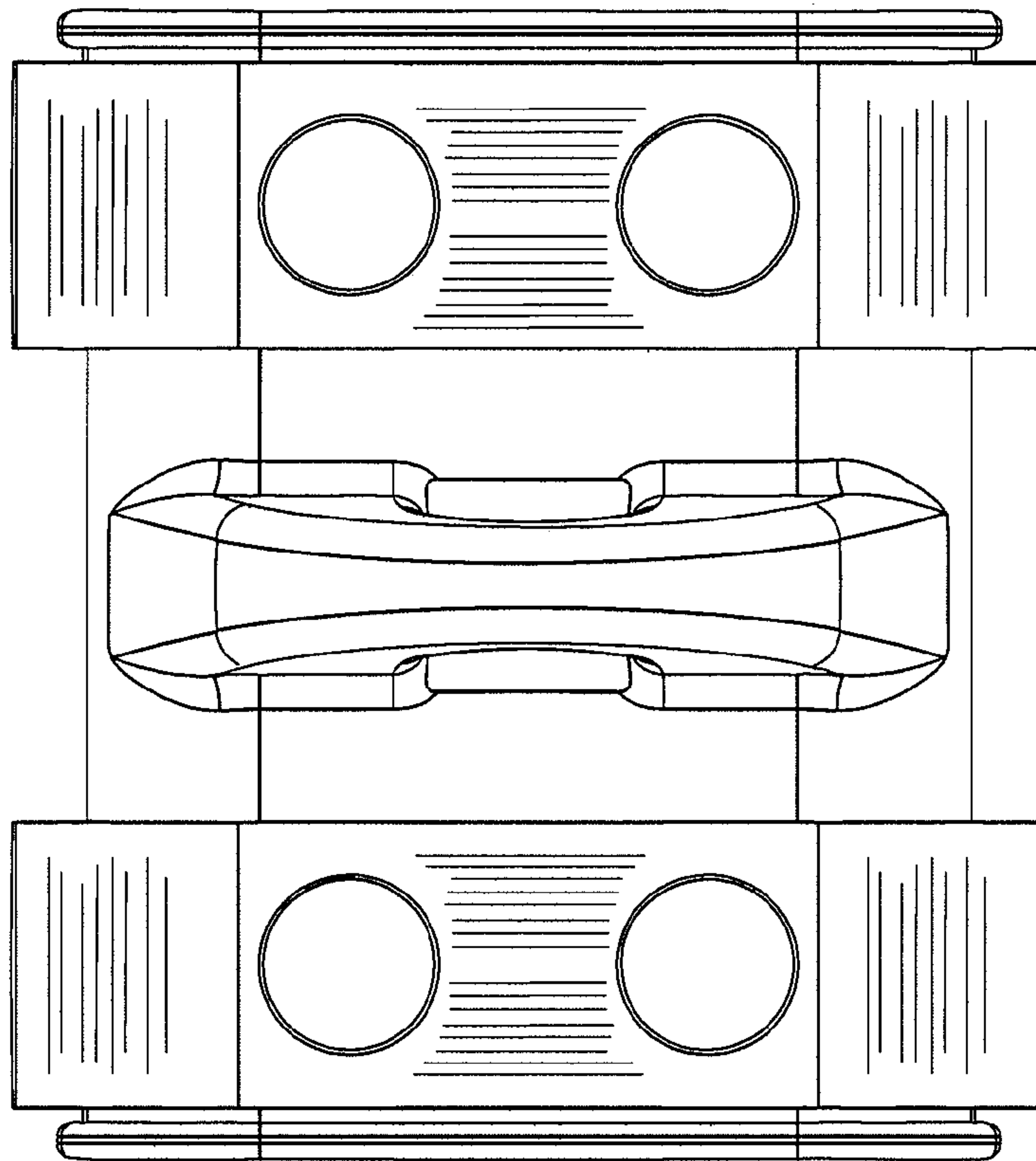


Fig. 7

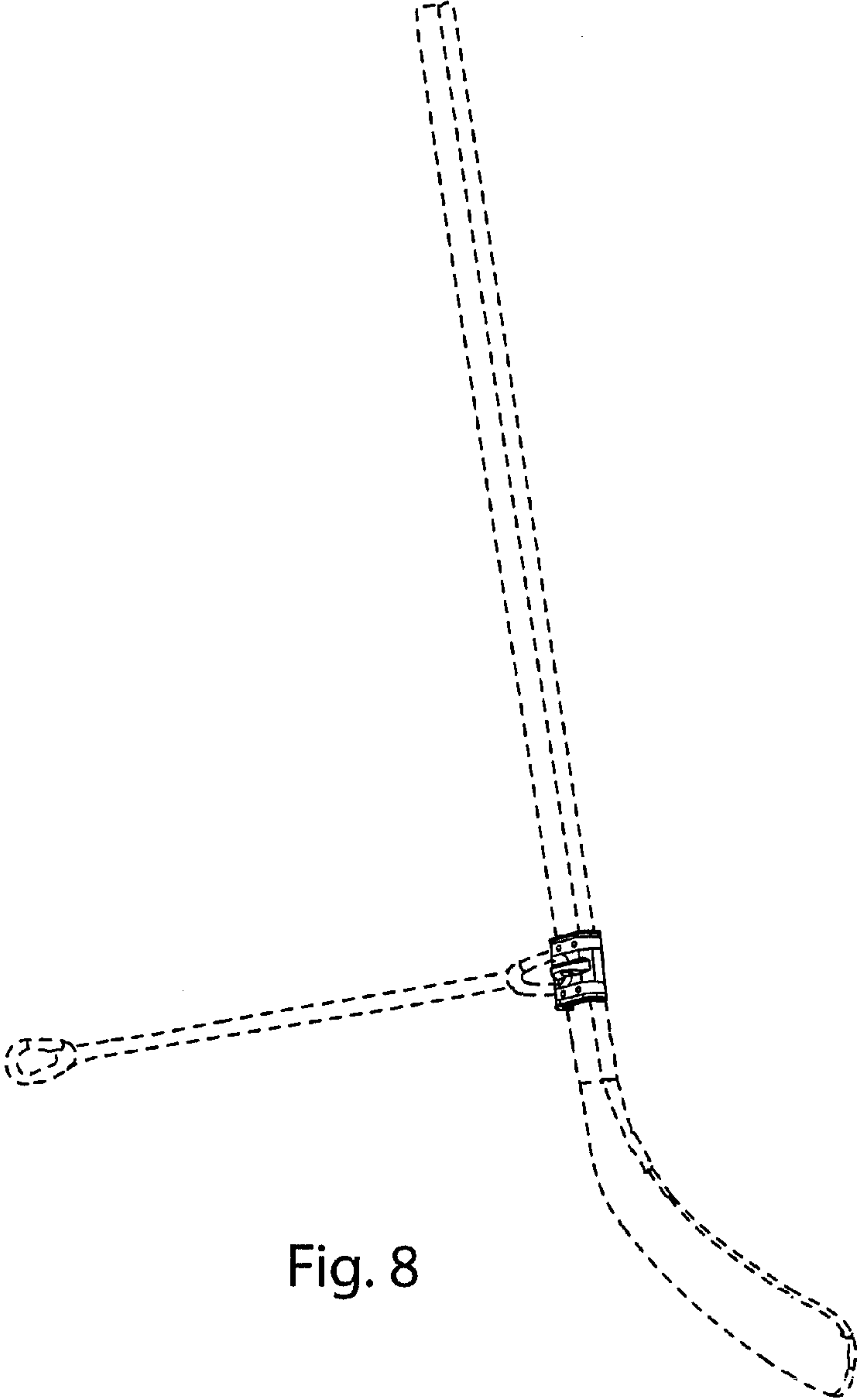


Fig. 8