



US00D675270S

(12) **United States Design Patent**  
**Loudenslager et al.**

(10) **Patent No.:** **US D675,270 S**  
(45) **Date of Patent:** **\*\* Jan. 29, 2013**

(54) **GOLF CLUB HEAD COVER**  
(75) Inventors: **John H. Loudenslager**, Phoenix, AZ  
(US); **James D. Martell**, Tempe, AZ  
(US)  
(73) Assignee: **Karsten Manufacturing Corporation**,  
Phoenix, AZ (US)  
(\*\*) Term: **14 Years**

D540,899 S 4/2007 Chen  
D552,200 S 10/2007 Chen  
D561,857 S \* 2/2008 Noyes et al. .... D21/754  
D575,839 S 8/2008 Quartarone, III  
D576,237 S 9/2008 Chen  
D576,696 S 9/2008 Chen  
D585,512 S 1/2009 Quartarone, III  
D590,464 S 4/2009 Chen  
D590,901 S 4/2009 Chen  
D596,253 S 7/2009 Chen  
7,597,126 B2 10/2009 Chen

(Continued)

(21) Appl. No.: **29/418,721**

(22) Filed: **Apr. 19, 2012**

(51) **LOC (9) Cl.** ..... **21-02**

(52) **U.S. Cl.** ..... **D21/754**

(58) **Field of Classification Search** ..... D21/754;  
150/160

See application file for complete search history.

(56) **References Cited**

**U.S. PATENT DOCUMENTS**

2,035,529 A	3/1936	Bucklin	
D202,199 S	9/1965	Bates	
3,821,976 A	7/1974	Smith	
4,667,716 A	5/1987	Solheim	
5,168,909 A	12/1992	Joyner	
5,295,268 A	3/1994	Pociask	
5,345,987 A	9/1994	Hagar	
5,403,009 A	4/1995	Gleason, Jr.	
D374,051 S	9/1996	Sheppard, Jr.	
D421,780 S	3/2000	Whitesides	
D423,068 S *	4/2000	Choe	D21/754
D431,062 S *	9/2000	Besnard et al.	D21/754
D439,296 S *	3/2001	Besnard et al.	D21/754
D445,864 S *	7/2001	McLoughlin	D21/754
D447,202 S *	8/2001	Besnard et al.	D21/754
6,321,805 B1	11/2001	Suggs	
6,820,665 B2	11/2004	Bradshaw	
D512,115 S	11/2005	Chen	
D528,618 S	9/2006	Chen	

**OTHER PUBLICATIONS**

John H. Loudenslager et al., Golf Club Head Covers with a Strap and Methods to Manufacture Golf Club Head Covers, U.S. Appl. No. 13/196,392, filed Aug. 2, 2011.

*Primary Examiner* — Mitchell Siegel

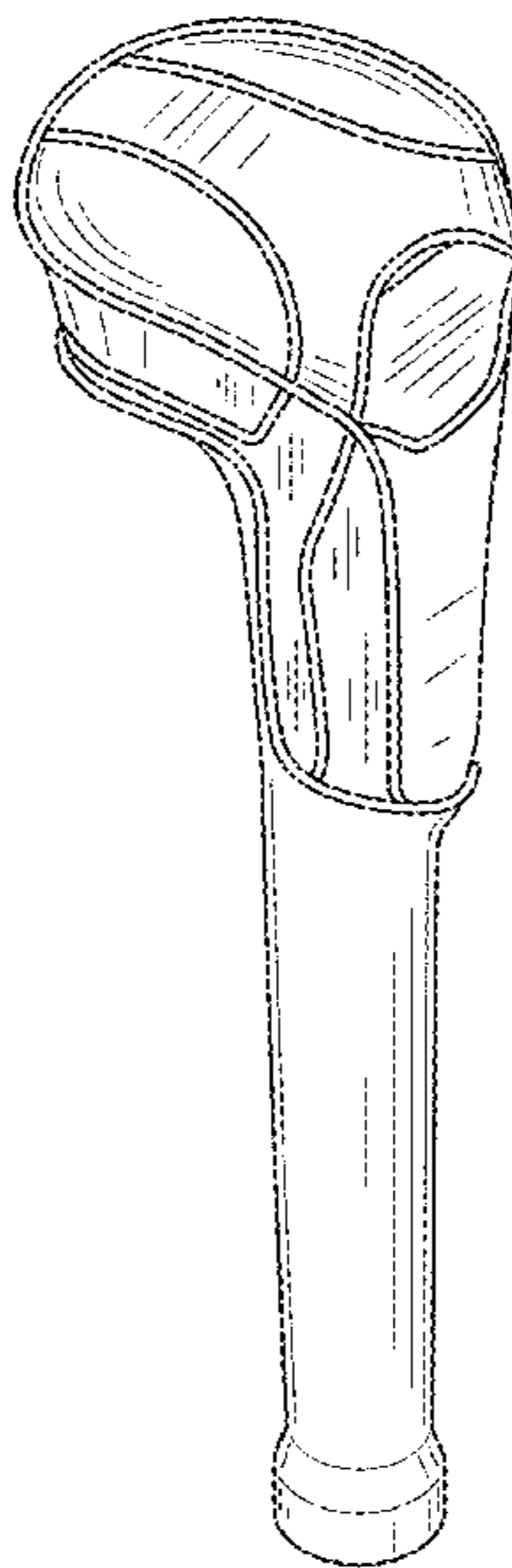
(57) **CLAIM**

The ornamental design for a golf club head cover, as shown and described.

**DESCRIPTION**

FIG. 1 is a top perspective view of a golf club head cover; FIG. 2 is a bottom perspective view of the golf club head cover of FIG. 1; FIG. 3 is a rear elevational view of the golf club head cover of FIG. 1; FIG. 4 is a front elevational view of the golf club head cover of FIG. 1; FIG. 5 is a top view of the golf club head cover of FIG. 1; FIG. 6 is a bottom view of the golf club head cover of FIG. 1; FIG. 7 is a right side view of the golf club head cover of FIG. 1; and, FIG. 8 is a left side view of the golf club head cover of FIG. 1.

**1 Claim, 7 Drawing Sheets**



# US D675,270 S

Page 2

---

## U.S. PATENT DOCUMENTS

D603,473	S *	11/2009	Templeton	.....	D21/754	D631,112	S	1/2011	Chen	
D606,604	S *	12/2009	Norris	.....	D21/754	D652,096	S *	1/2012	Chen	..... D21/754
7,686,047	B2 *	3/2010	Hooley	.....	150/160	D652,466	S	1/2012	Chen	
7,686,048	B1	3/2010	Bradshaw			2003/0056866	A1	3/2003	Sheppard, Jr.	
D616,514	S	5/2010	Quartarone, III			2008/0105343	A1 *	5/2008	Noyes et al.	..... 150/160
D616,515	S *	5/2010	Quartarone, III	.....	D21/754	2009/0032154	A1	2/2009	Quartarone, III	
7,857,023	B2 *	12/2010	Hooley	.....	150/160	2011/0056600	A1 *	3/2011	Hooley	..... 150/160

\* cited by examiner

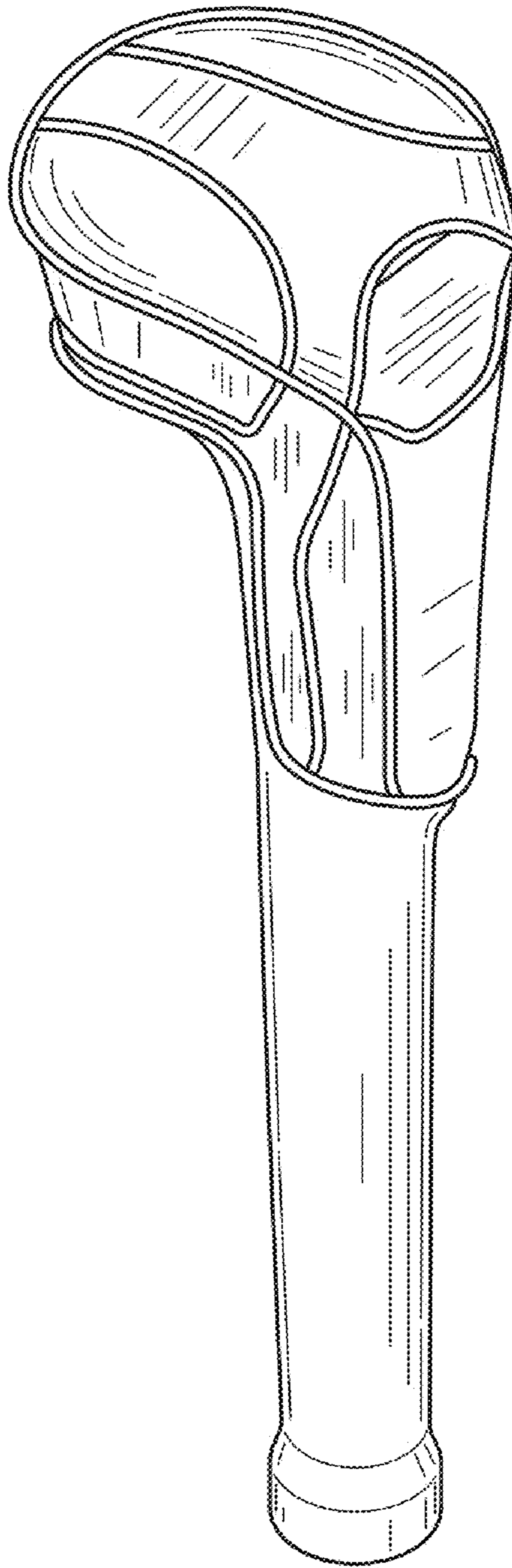


FIG. 1

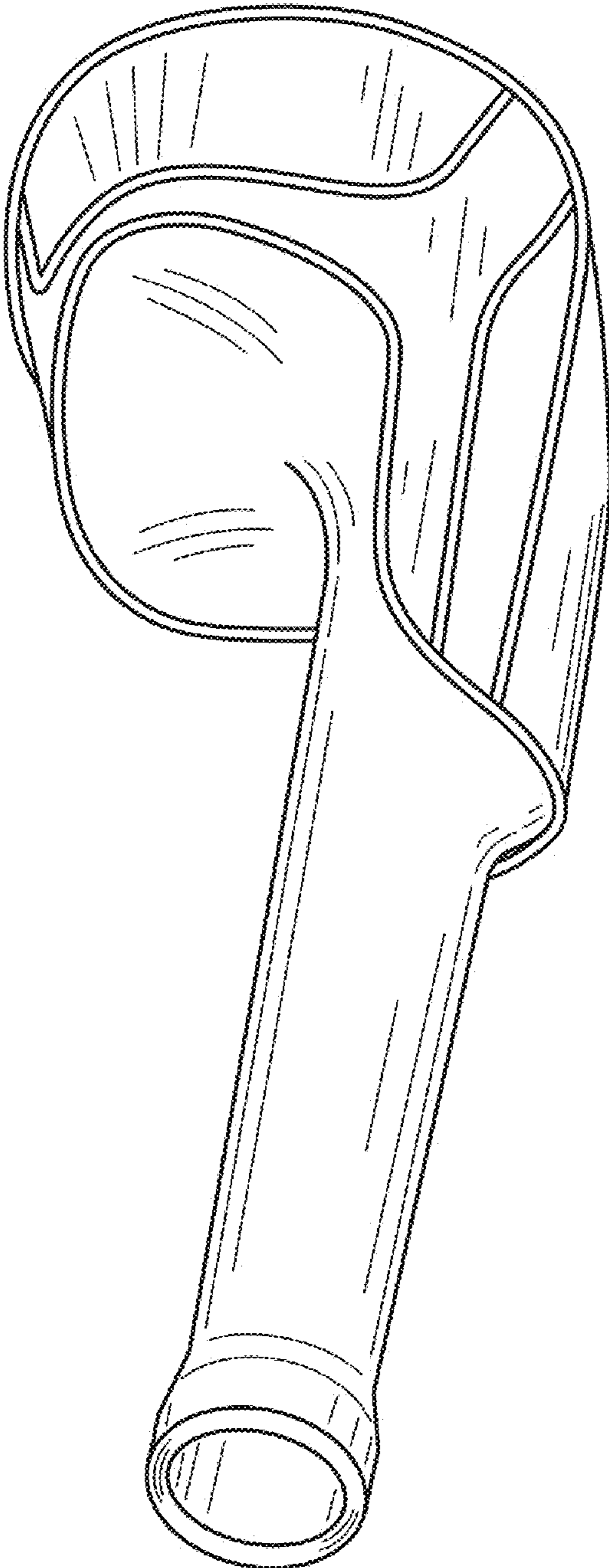


FIG.2

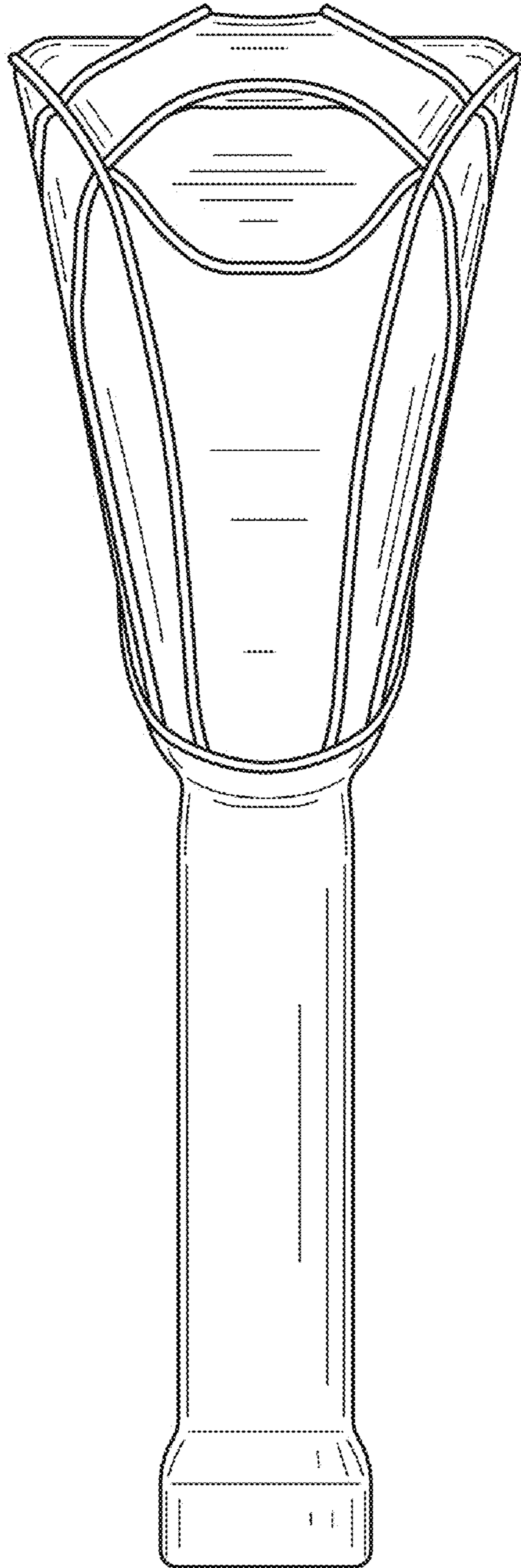


FIG.3

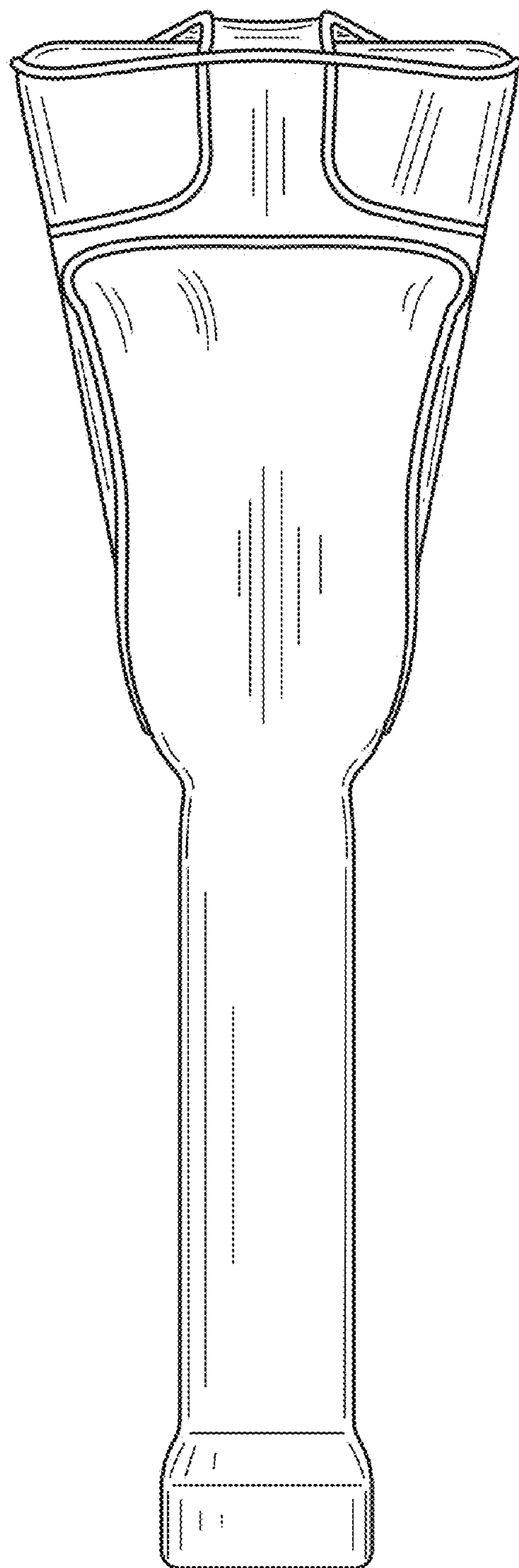


FIG.4

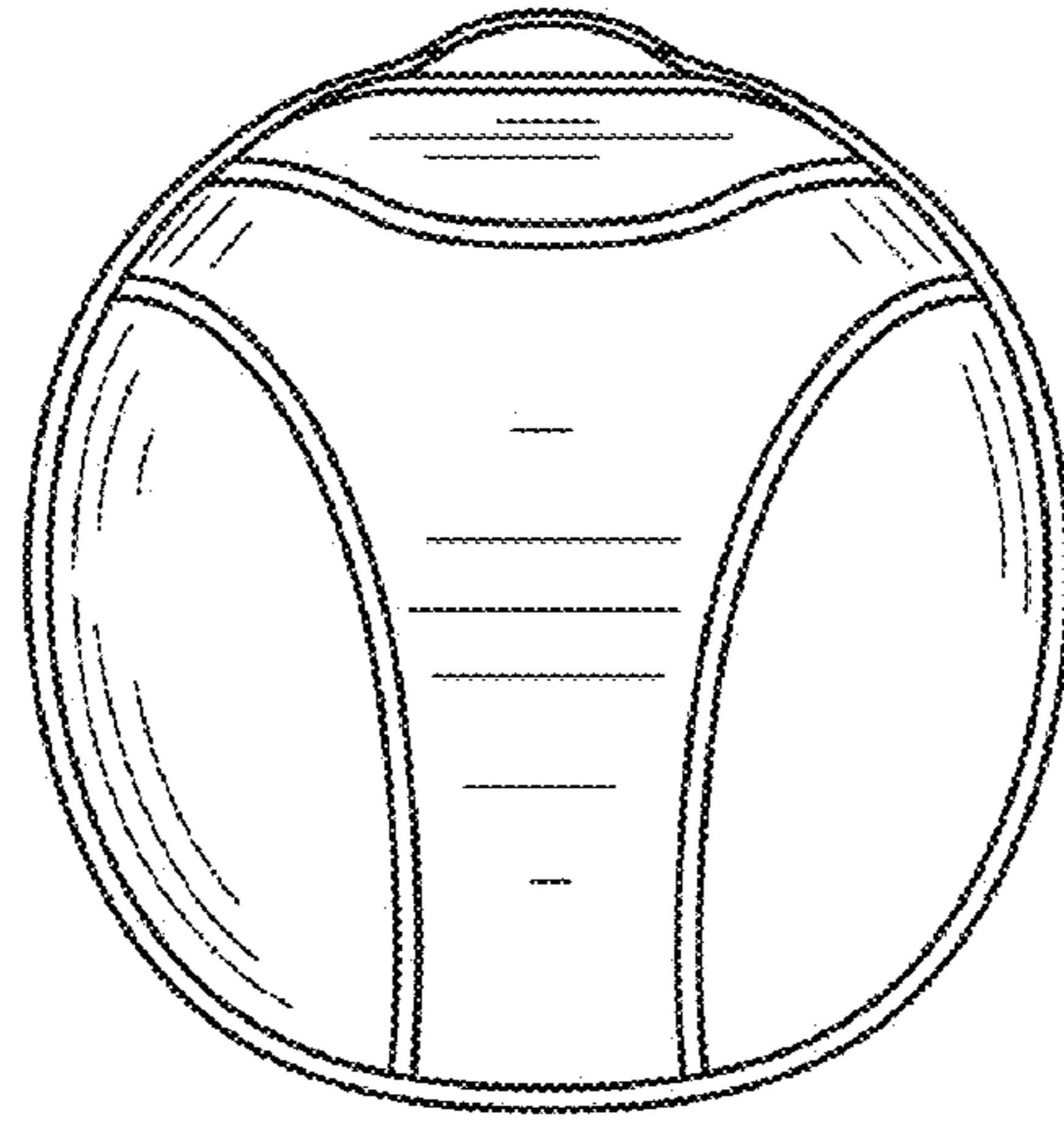


FIG. 5

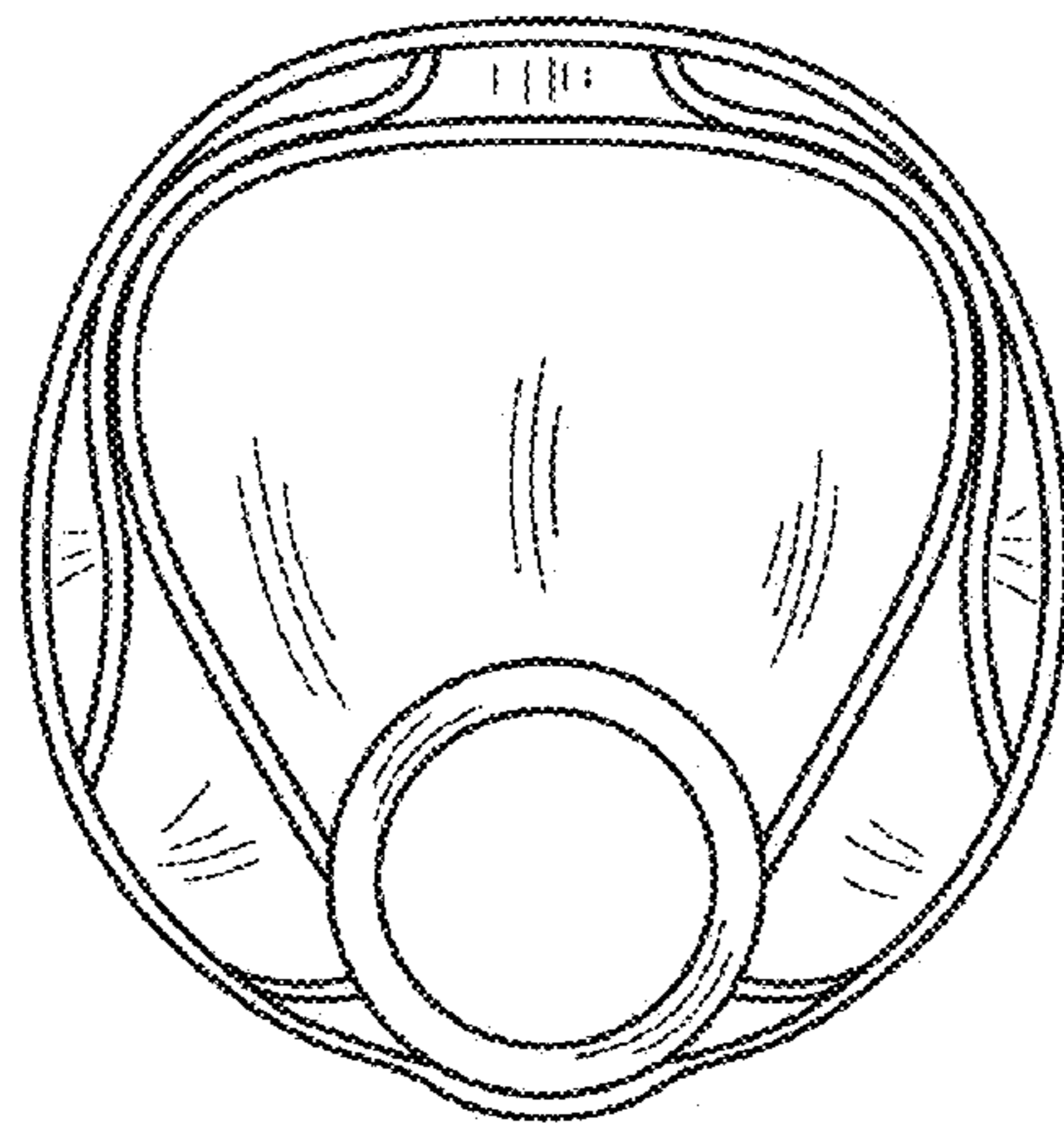


FIG. 6

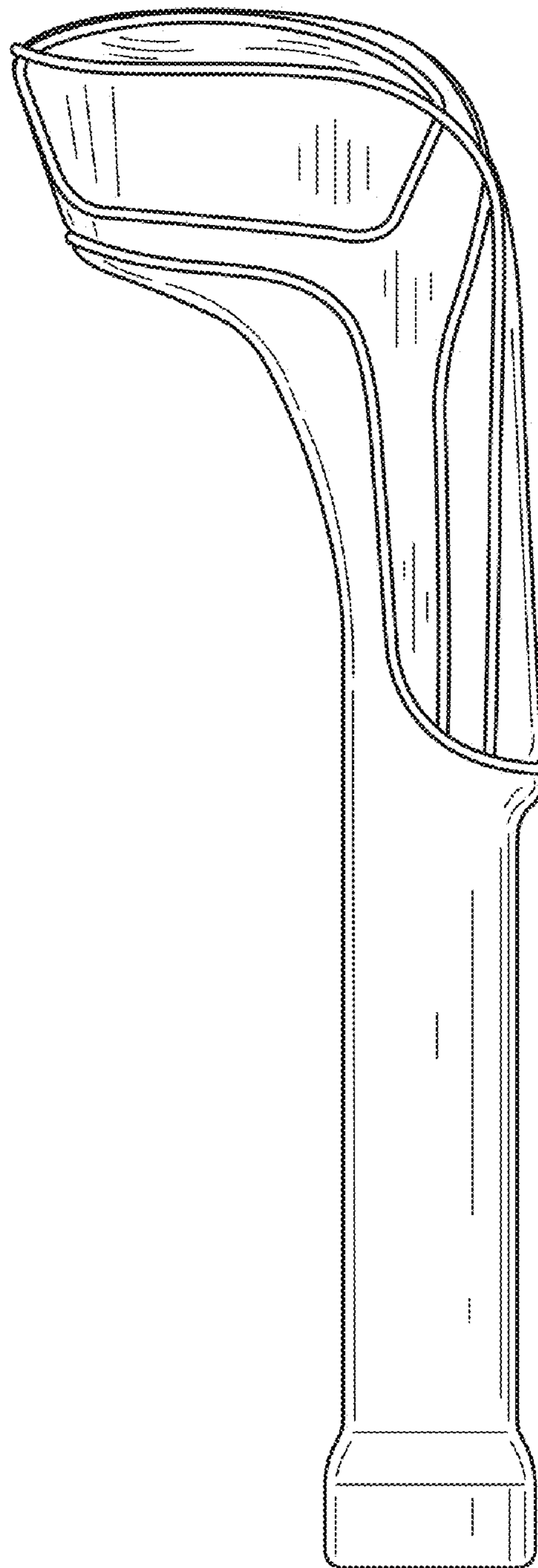


FIG. 7



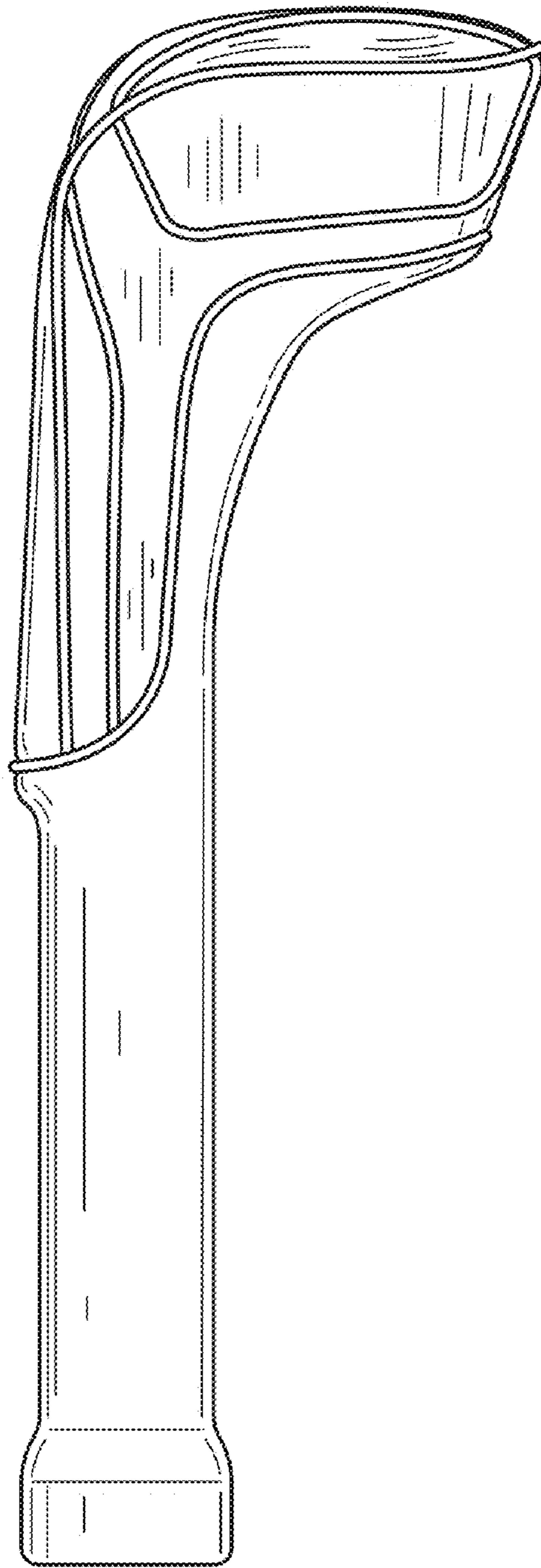


FIG.8