



US00D675265S

(12) **United States Design Patent**
Mimlitch, III et al.

(10) **Patent No.:** **US D675,265 S**
(45) **Date of Patent:** **** Jan. 29, 2013**

(54) **ROBOT ATTACHMENT**

4,941,857 A 7/1990 Fujimaki
(Continued)

(75) Inventors: **Robert H. Mimlitch, III**, Rowlett, TX (US); **David A. Norman**, Greenville, TX (US); **Douglas Galletti**, Allen, TX (US); **Joel Carter**, Argyle, TX (US); **Gregory Needel**, Rockwall, TX (US); **Jeffrey Russell Waegelin**, Rockwall, TX (US)

FOREIGN PATENT DOCUMENTS

DE 1120958 10/1957
FR 1564711 3/1969

(Continued)

OTHER PUBLICATIONS

Shantou GoldRosita Intelligent Electronic Toys Industrial Co., Lit., Scoot Micro-Robotic Vehicles, pictures of product, product available over the Internet; manufactured in Guangdong, China.

(73) Assignee: **Innovation First, Inc.**, Greenville, TX (US)

(**) Term: **14 Years**

Primary Examiner — Sandra Morris

(21) Appl. No.: **29/400,250**

(74) *Attorney, Agent, or Firm* — Adam K. Sacharoff

(22) Filed: **Aug. 25, 2011**

(57) **CLAIM**

(51) **LOC (9) Cl.** **21-01**

The ornamental design for a robot attachment, as shown and described.

(52) **U.S. Cl.** **D21/578; D21/650**

(58) **Field of Classification Search** D6/596;
D11/158; D30/160; D21/576, 578-585,
D21/650, 658-659; 446/72, 97-98, 268-269,
446/356, 369, 377

DESCRIPTION

See application file for complete search history.

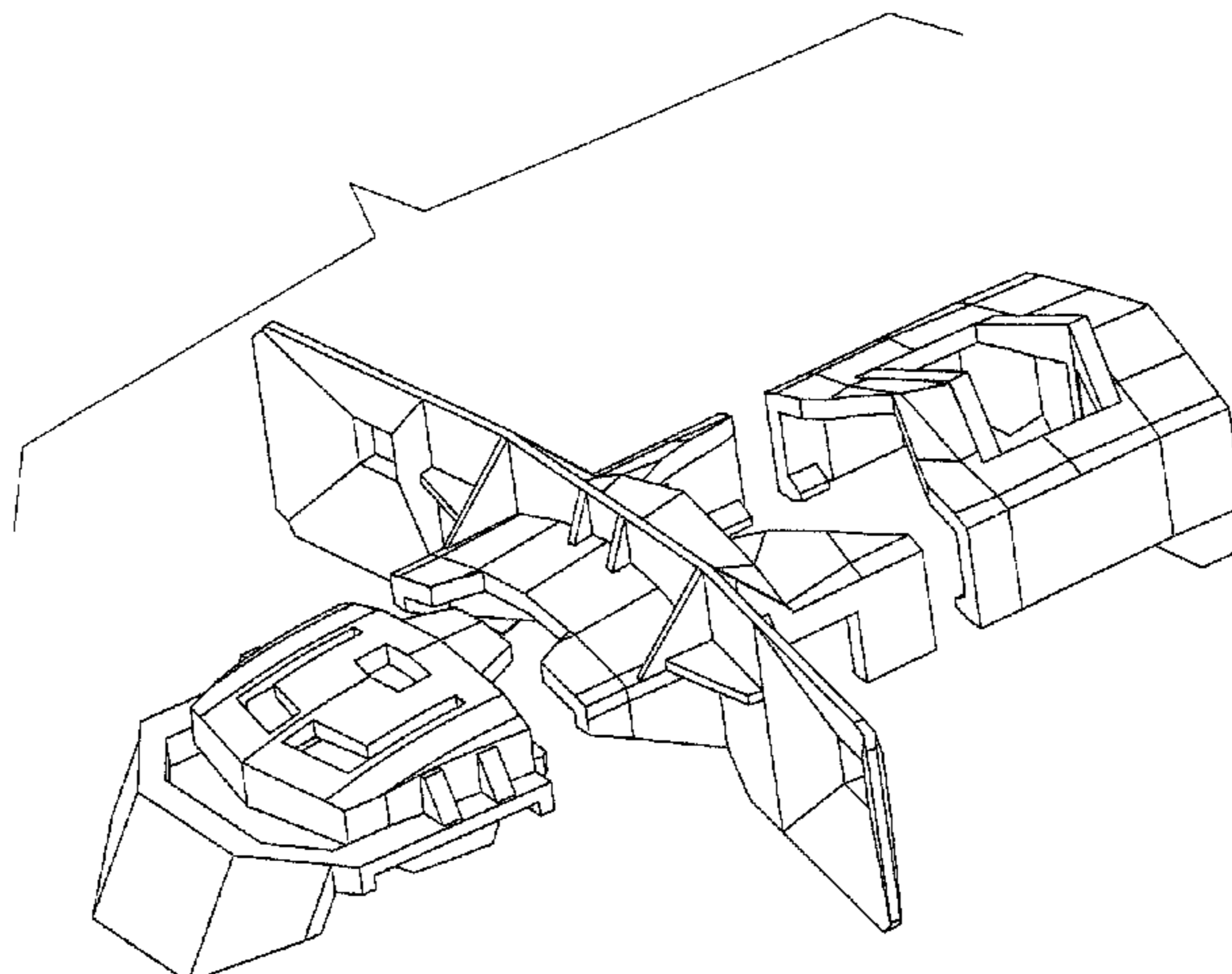
FIG. 1 is a top perspective view showing first embodiment of the robot attachment with a toy robot in dotted lines; FIG. 2 is a bottom perspective view of FIG. 1; FIG. 3 is a front side view of FIG. 1; FIG. 4 is a back side view of FIG. 1; FIG. 5 is a top side view of FIG. 1; FIG. 6 is a bottom side view of FIG. 1; FIG. 7 is a left side view of FIG. 1; FIG. 8 is a right side view of FIG. 1; FIG. 9 is a top perspective view showing a second embodiment of the robot attachment; FIG. 10 is a bottom perspective view of FIG. 9; FIG. 11 is a front side view of FIG. 9; FIG. 12 is a back side view of FIG. 9; FIG. 13 is a top side view of FIG. 9; FIG. 14 is a bottom side view of FIG. 9; FIG. 15 is a left side view of FIG. 9; and, FIG. 16 is a right side view of FIG. 9. The broken lines are for the purpose of illustrating portions of the environmental structure and forms no part of the claimed embodiment and design.

(56) **References Cited**

U.S. PATENT DOCUMENTS

1,763,788 A	6/1930	Jobe, Sr.
1,793,121 A	2/1931	Muller
2,167,985 A	8/1939	Levay
2,618,888 A	11/1952	Hoff
2,827,735 A	3/1959	Grimm
3,196,580 A	7/1965	Rakestraw
3,331,463 A	7/1967	Kramer
3,530,617 A	9/1970	Halvorson et al.
3,841,636 A	10/1974	Meyer
3,842,532 A	10/1974	Nielsen
3,959,920 A	6/1976	Ieda
4,163,558 A	8/1979	Breslow et al.
4,219,957 A	9/1980	Kakuta
4,291,490 A	9/1981	Ikeda
4,591,346 A	5/1986	Ikeda
D289,070 S	3/1987	Forbes et al.
D289,747 S	5/1987	Sethares et al.
D291,711 S	9/1987	Dixon
4,708,690 A	11/1987	Kulesza et al.

1 Claim, 16 Drawing Sheets



US D675,265 S

Page 2

U.S. PATENT DOCUMENTS

5,088,949	A	2/1992	Atkinson et al.
5,221,226	A	6/1993	Park
D405,850	S	2/1999	Witkin
5,993,286	A	11/1999	Tacquard et al.
D421,932	S	3/2000	Hawkins et al.
D427,256	S	6/2000	Teigiser
6,238,264	B1	5/2001	Kazami et al.
D456,467	S	4/2002	Corbett
6,435,929	B1	8/2002	Halford
6,599,048	B2	7/2003	Kuo
6,652,352	B1	11/2003	MacArthur et al.
6,681,150	B1	1/2004	Haga et al.
6,826,449	B1	11/2004	Abu-Taha
6,866,557	B2	3/2005	Randall
6,899,589	B1	5/2005	Lund et al.
6,964,309	B2	11/2005	Quinn et al.
6,964,572	B2	11/2005	Cesa
D517,131	S	3/2006	Carruth

7,040,951	B2	5/2006	Hornsby et al.
7,204,455	B2	4/2007	Sinclair
D555,213	S	11/2007	Bowen et al.
7,803,031	B1	9/2010	Winckler et al.
7,927,170	B2	4/2011	Bickerton et al.
2001/0054518	A1	12/2001	Buehler et al.
2004/0198159	A1	10/2004	Xu et al.
2005/0112992	A1	5/2005	Malcolm
2007/0087654	A1	4/2007	Chernick et al.
2009/0311941	A1	12/2009	Bickerton et al.

FOREIGN PATENT DOCUMENTS

FR	2358174	2/1978
GB	488042	6/1938
GB	1180384	2/1970
GB	1381326	1/1975
JP	H1-146570	6/1989
JP	6343767	12/1994
WO	2006136792	12/2006

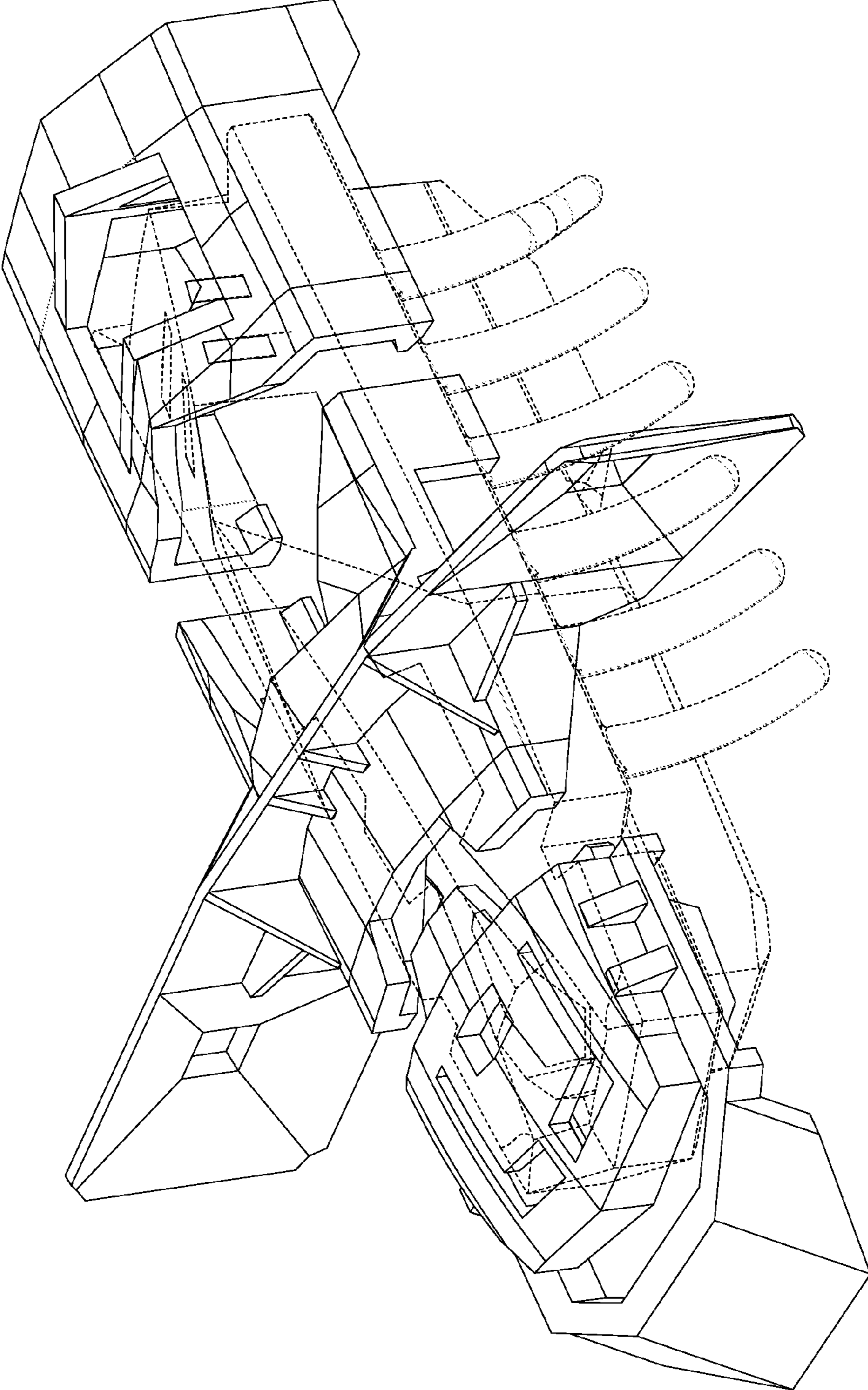


FIGURE 1

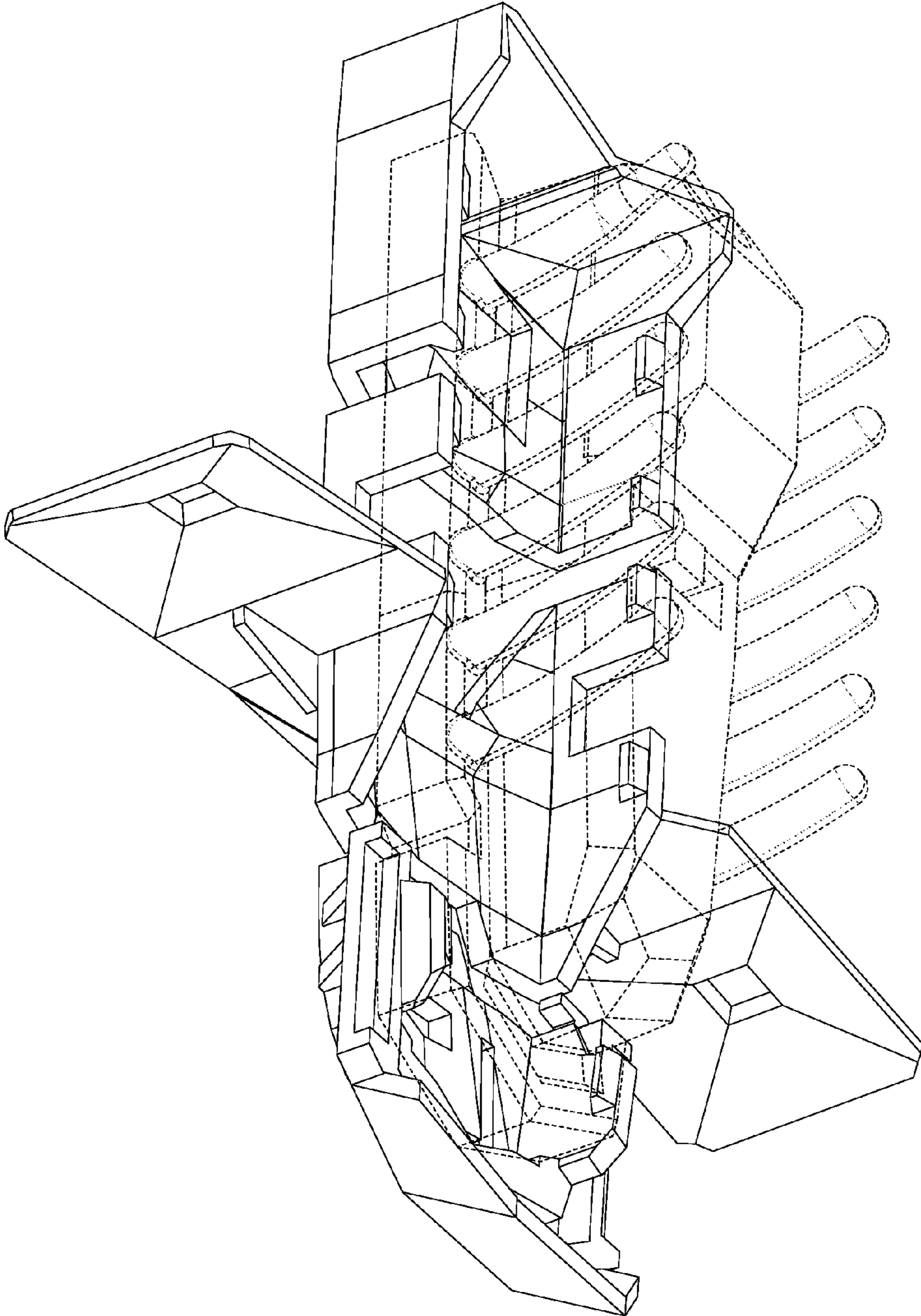


FIGURE 2

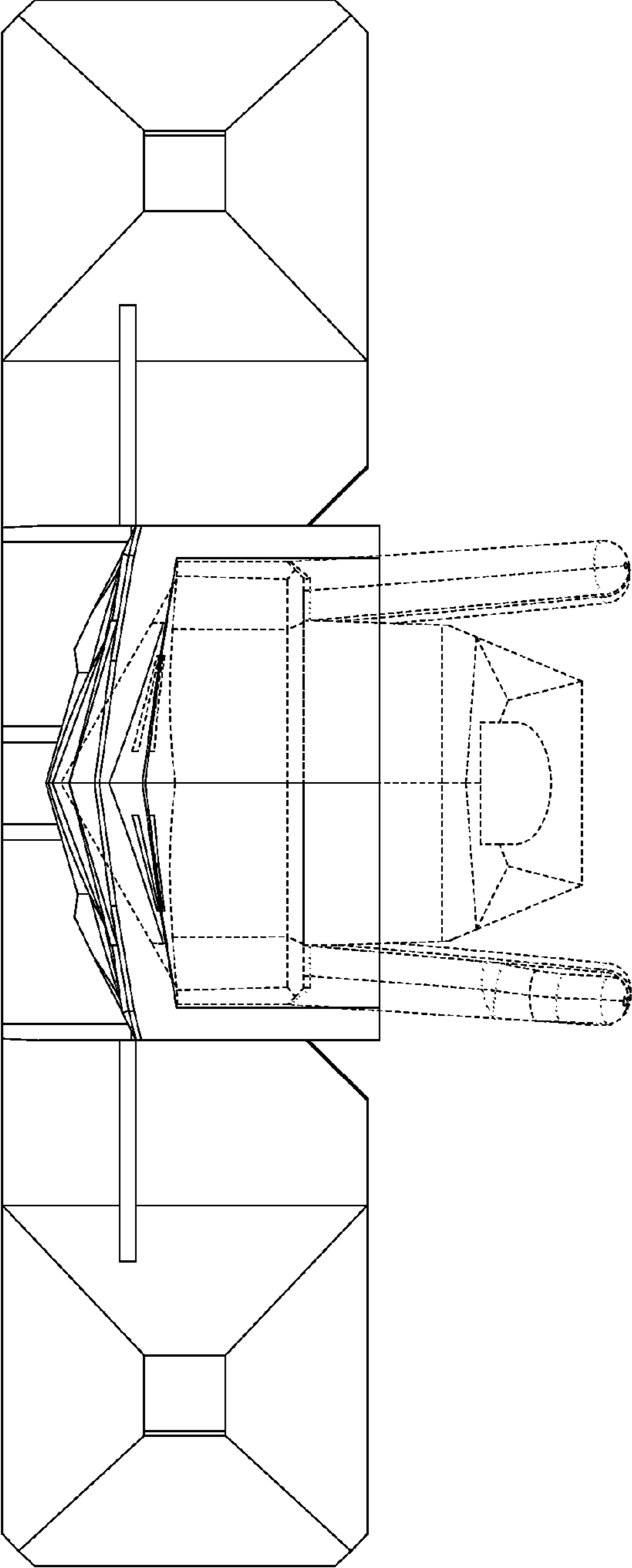


FIGURE 3

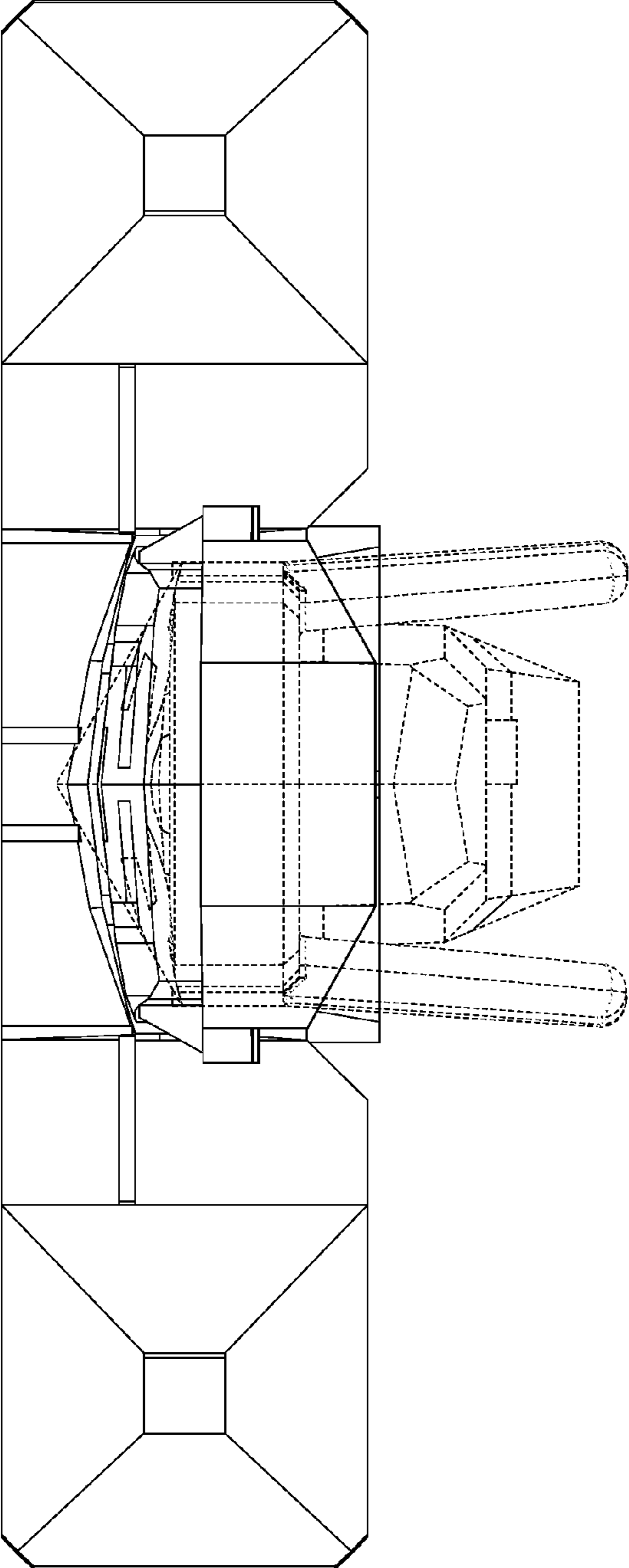


FIGURE 4

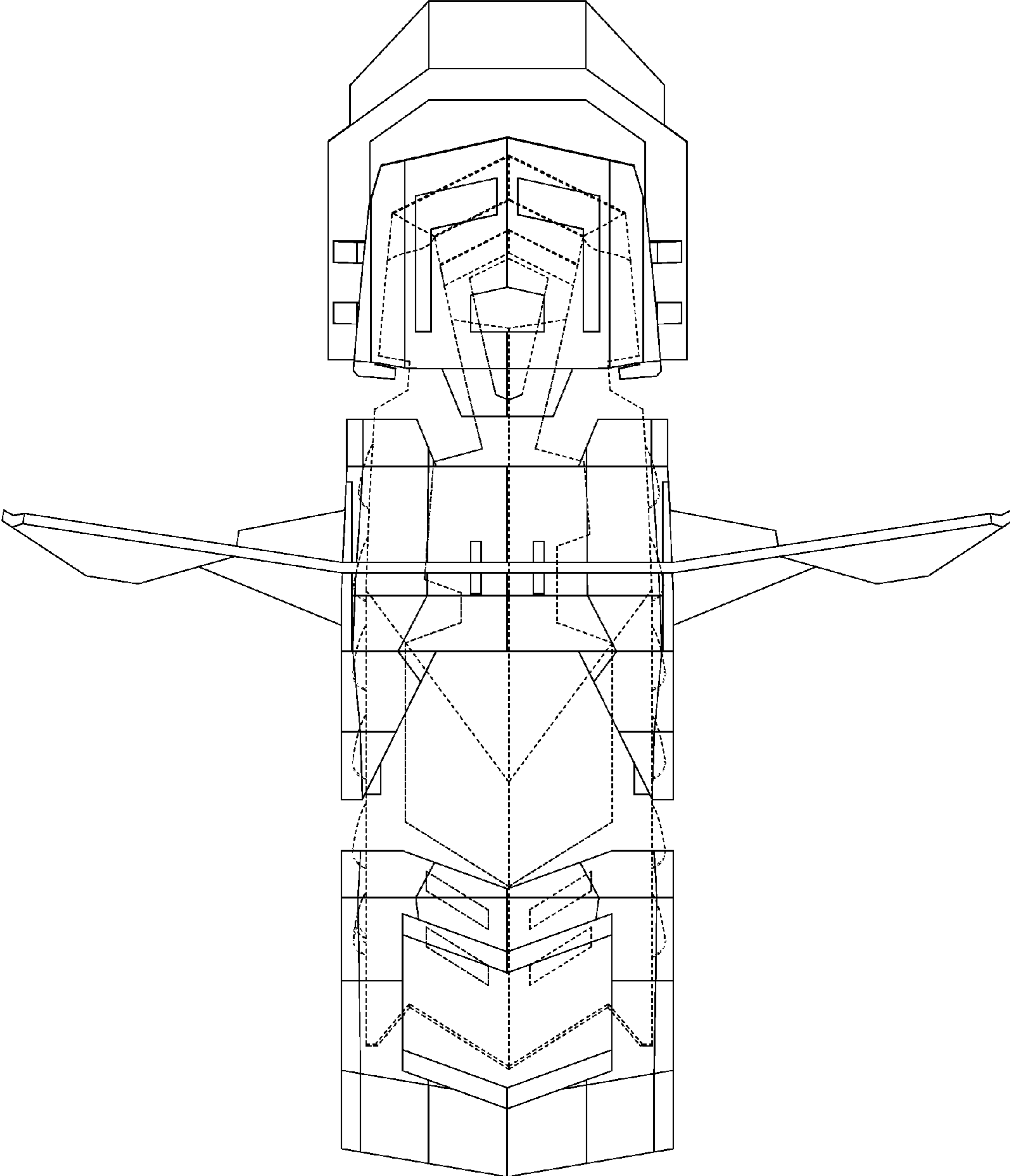


FIGURE 5

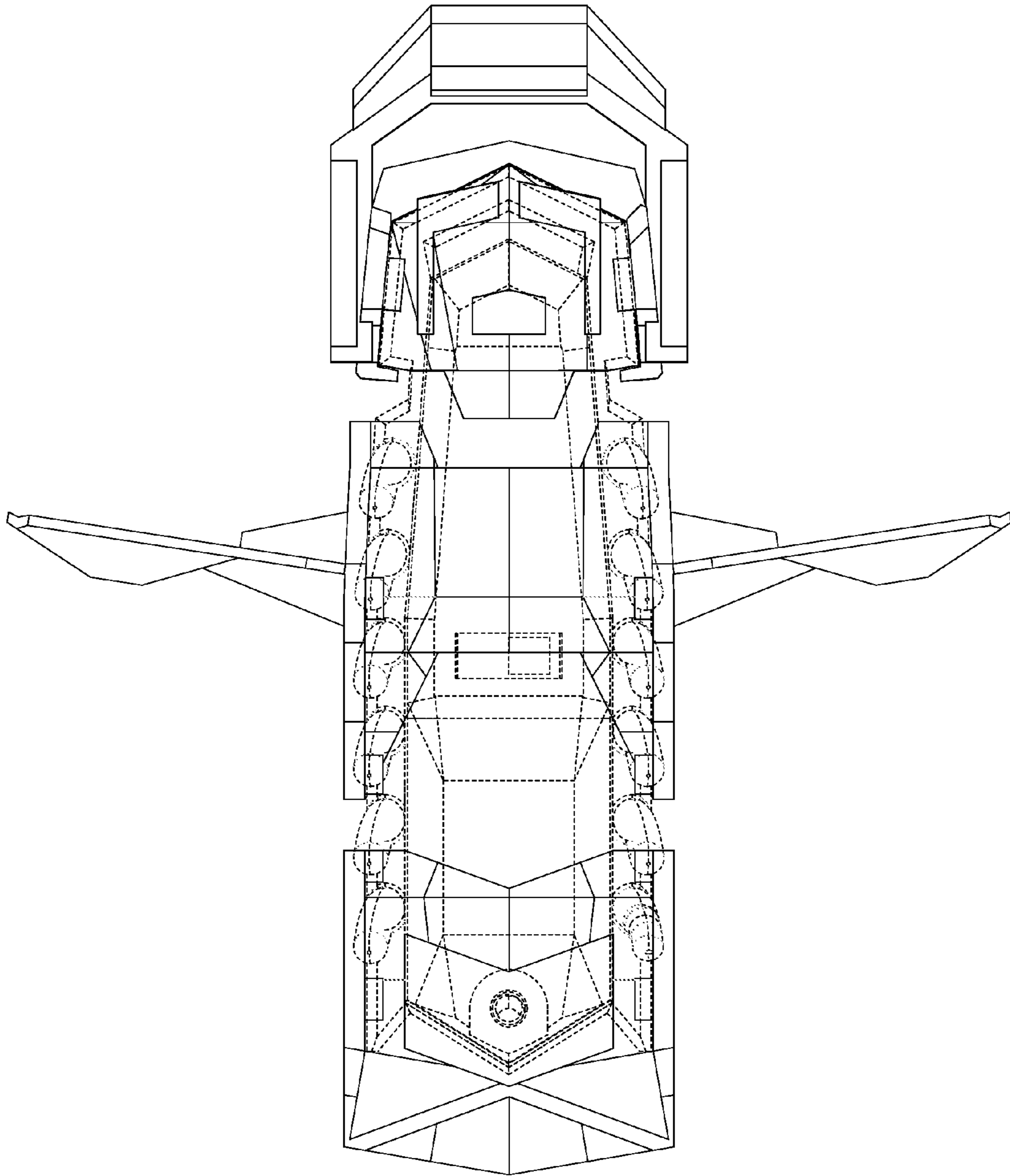


FIGURE 6

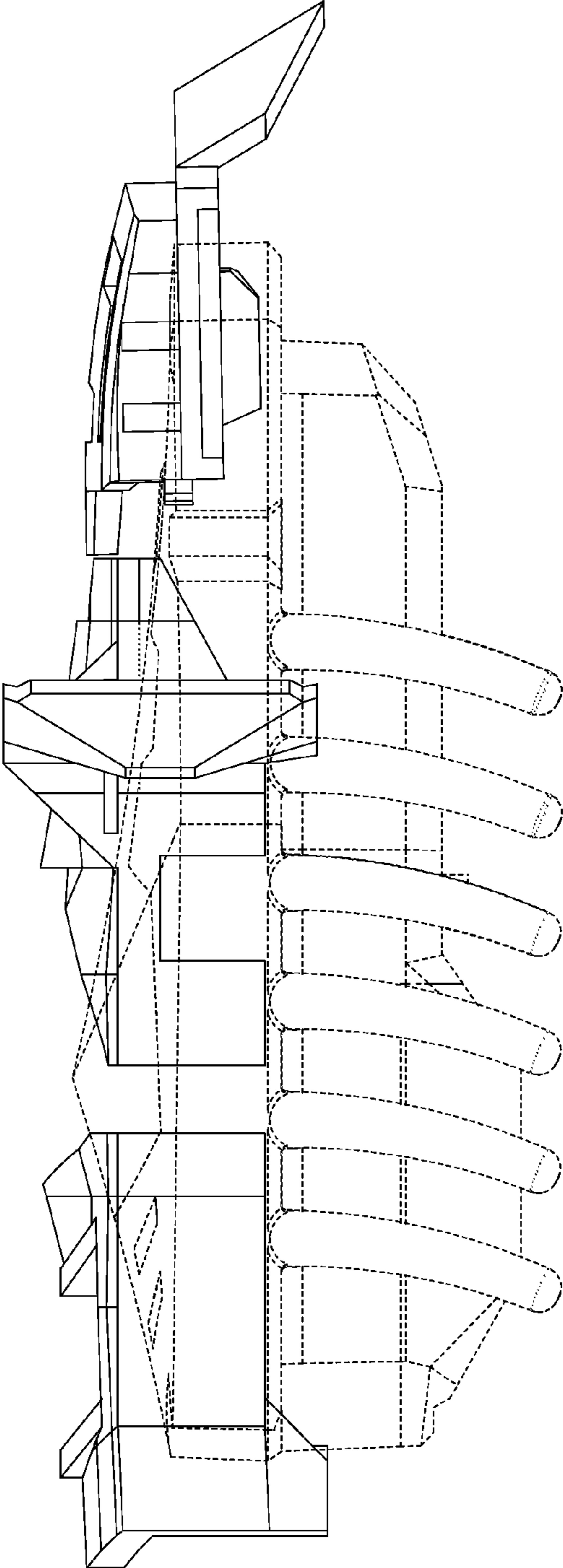


FIGURE 7

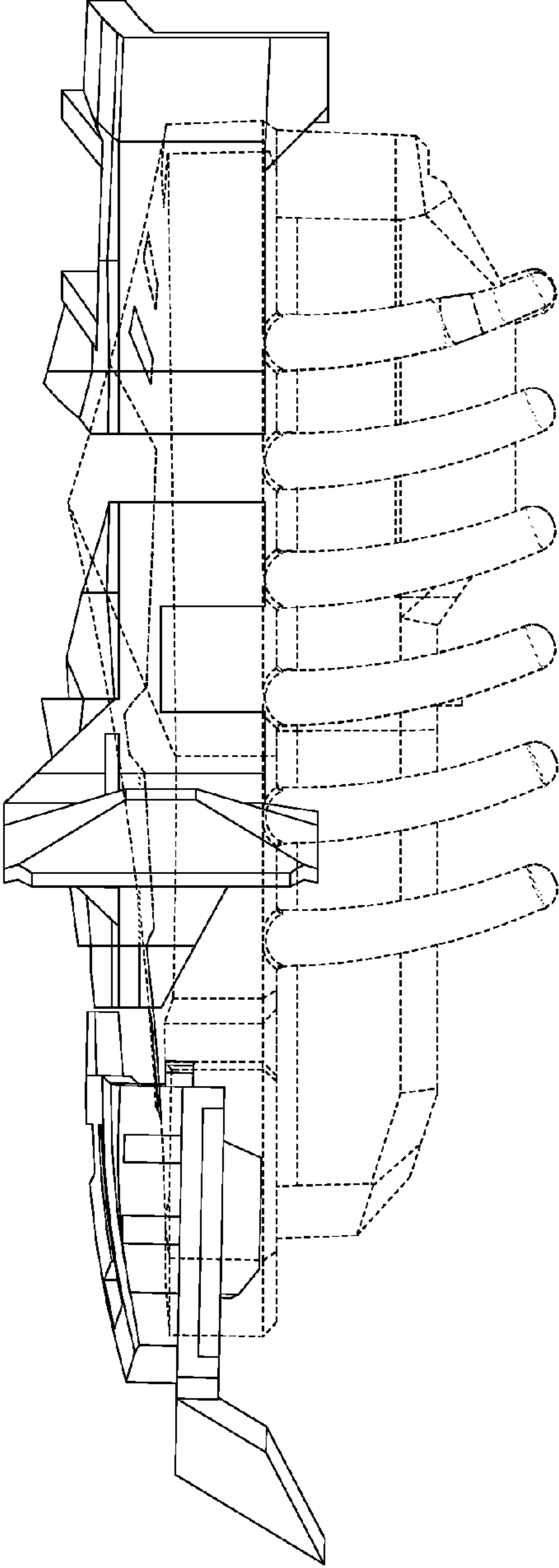


FIGURE 8

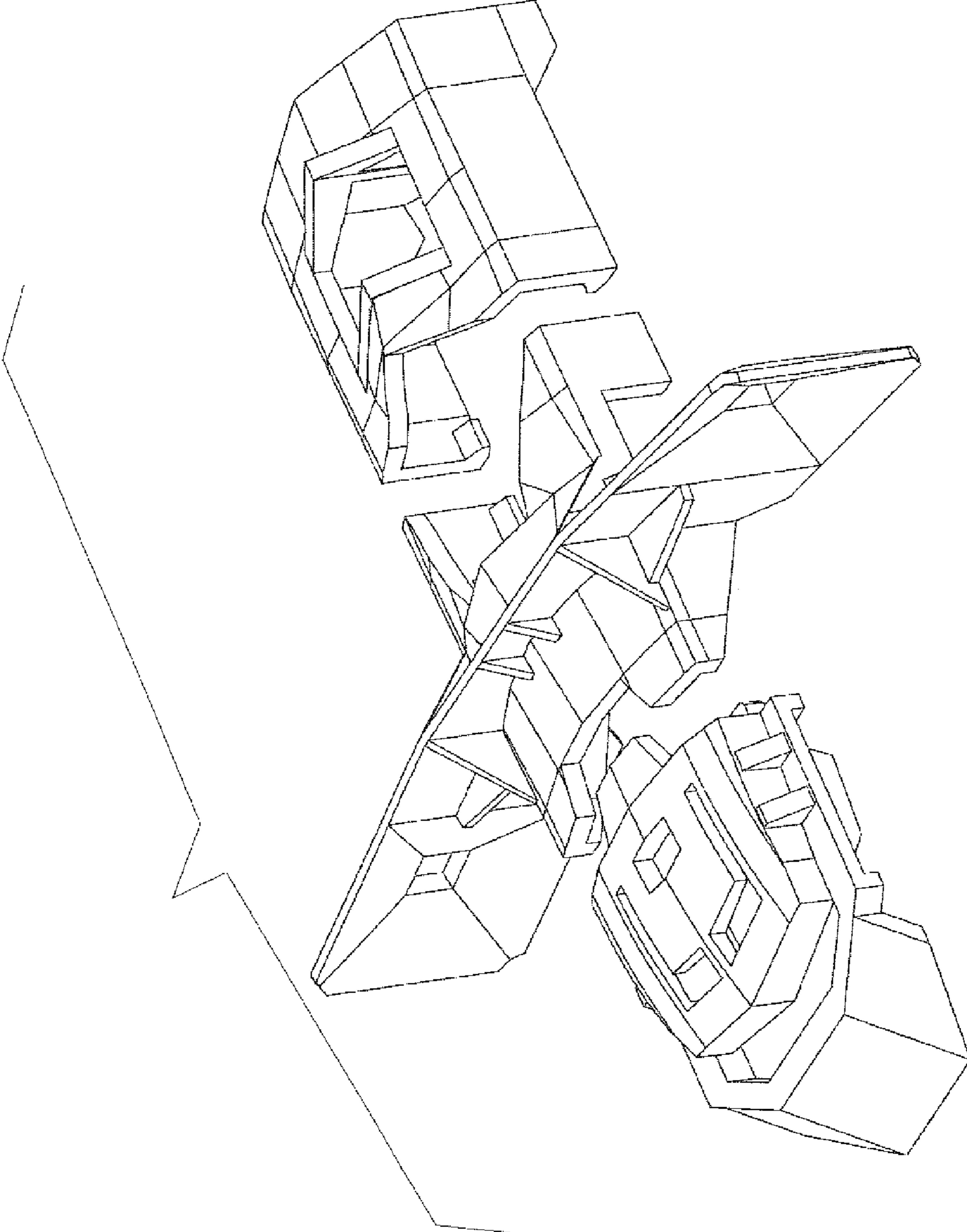


FIGURE 9

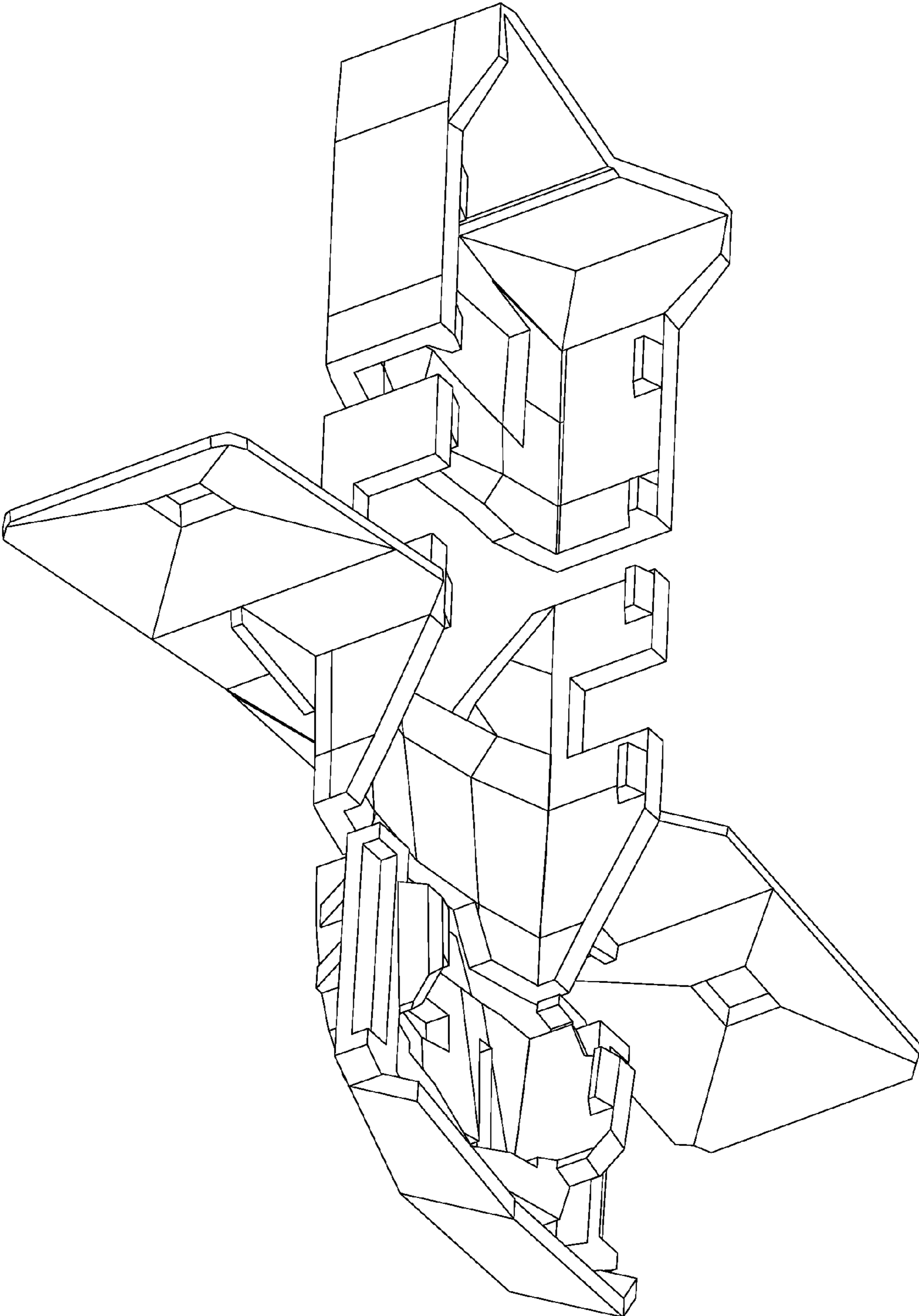


FIGURE 10

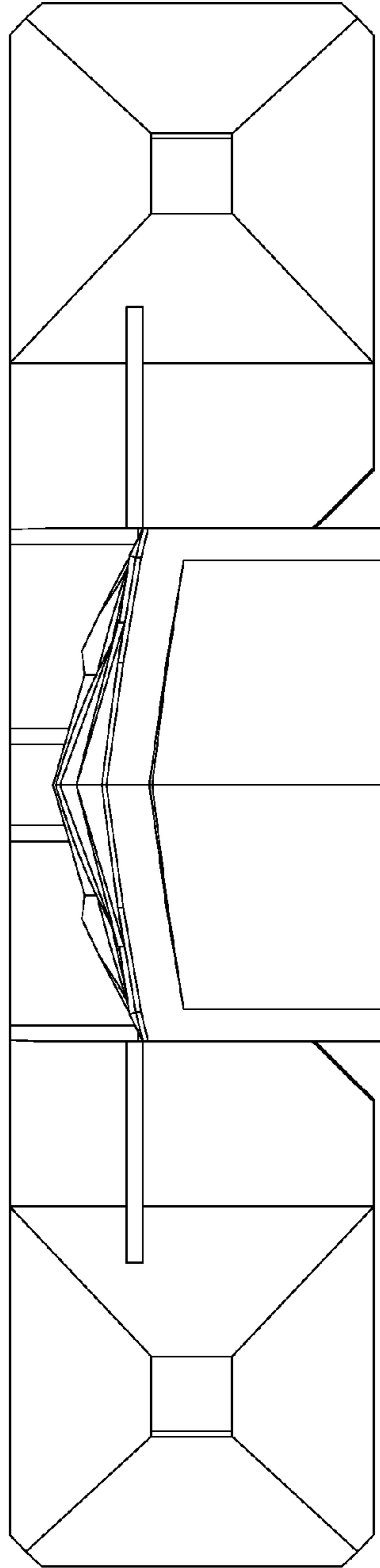


FIGURE 11

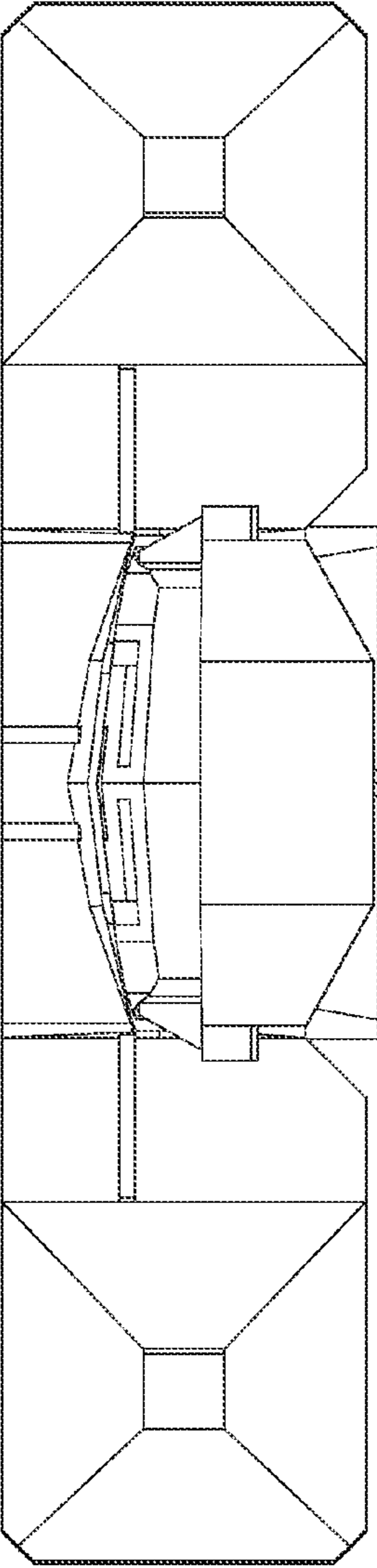


FIGURE 12

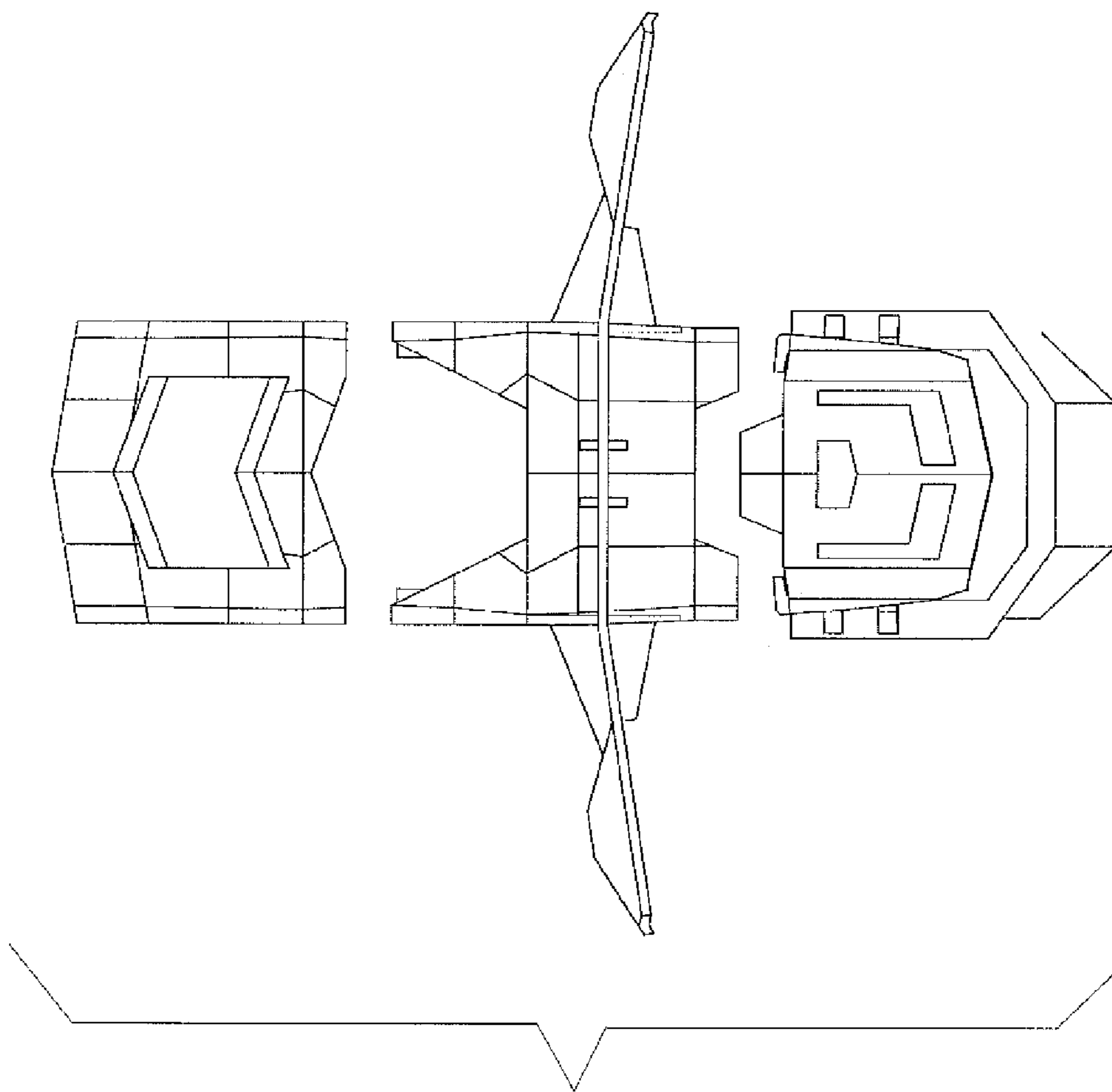


FIGURE 13

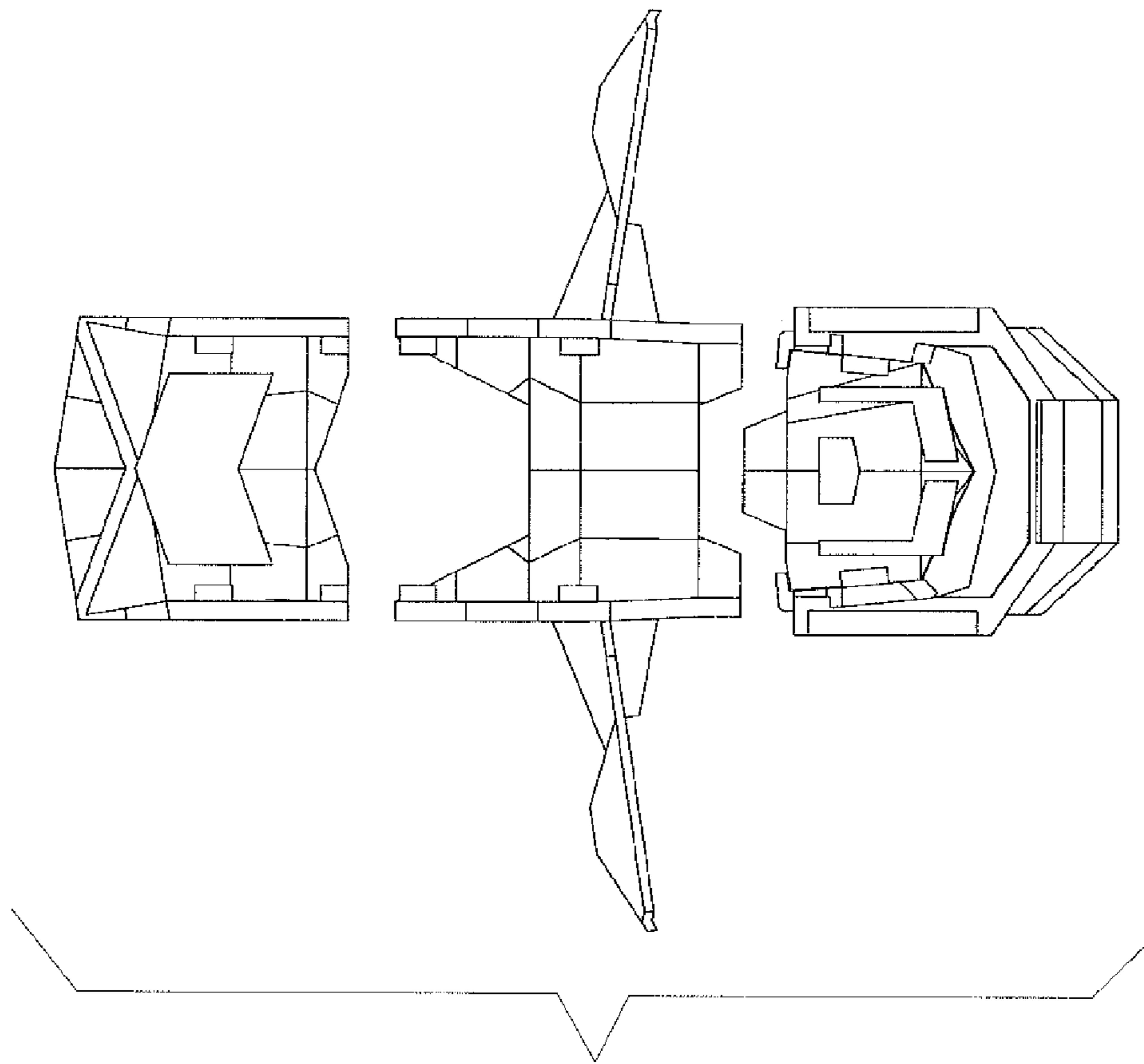


FIGURE 14

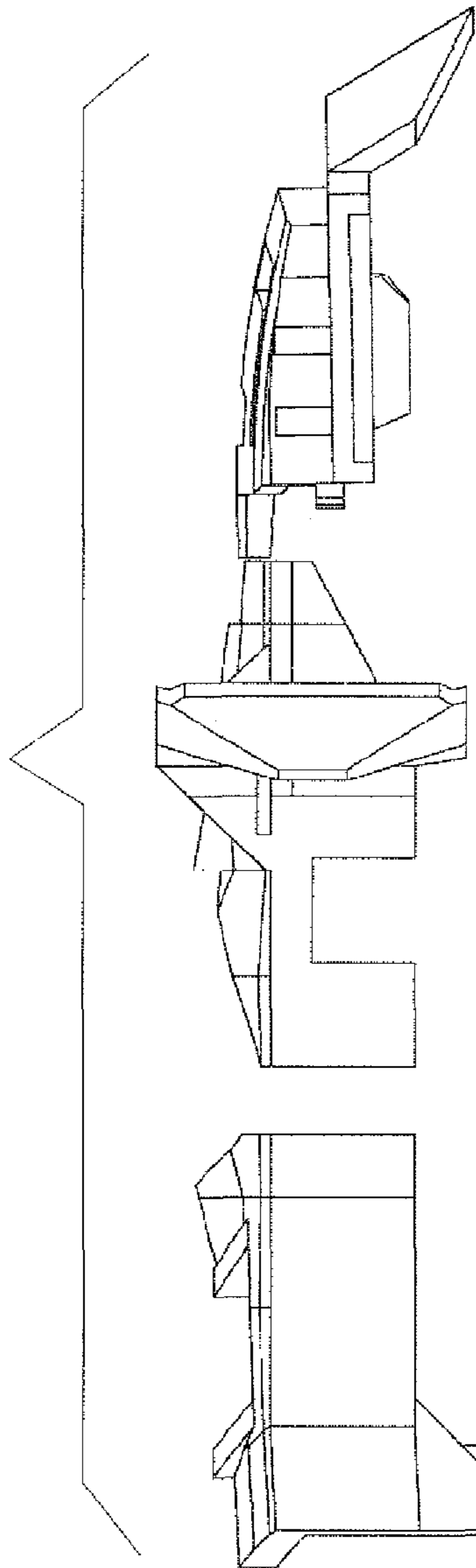


FIGURE 15

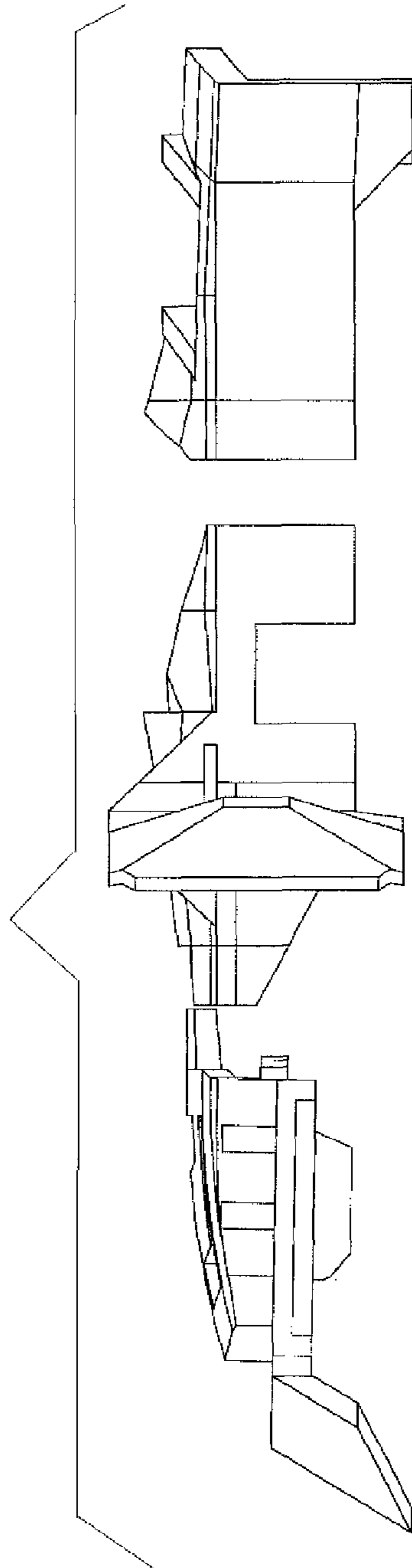


FIGURE 16