



US00D675263S

(12) **United States Design Patent**  
**Gonzalez et al.**

(10) **Patent No.:** **US D675,263 S**

(45) **Date of Patent:** **\*\* Jan. 29, 2013**

(54) **TOY WITH A FLYING TOP**

(75) Inventors: **Israel Gonzalez**, Plantation, FL (US);  
**Carlos Gonzalez**, Springhill, FL (US)

(73) Assignees: **Israel Gonzalez; Carlos Gonzalez**

(\*\*) Term: **14 Years**

(21) Appl. No.: **29/415,047**

(22) Filed: **Mar. 7, 2012**

(51) **LOC (9) Cl.** ..... **21-01**

(52) **U.S. Cl.** ..... **D21/461**

(58) **Field of Classification Search** ..... D21/436,  
D21/441-444, 454-466; 446/236-266

See application file for complete search history.

(56) **References Cited**

U.S. PATENT DOCUMENTS

32,272	A *	5/1861	Benton	446/42
94,733	A *	9/1869	Franke	446/263
191,756	A *	6/1877	Forbes	446/263
214,154	A *	4/1879	Johnson	446/263
652,073	A *	6/1900	Berg	446/263
1,047,381	A *	12/1912	Capra et al.	446/263
1,193,991	A *	8/1916	Cigol	446/264
1,208,431	A *	12/1916	Wilcox	446/263
D55,083	S *	5/1920	Tabara	D21/461
1,377,544	A *	5/1921	Angell	446/243
D58,526	S *	7/1921	Zbikowski	D21/461
1,633,486	A *	6/1927	Lunz	446/263
1,720,498	A *	7/1929	Wahlstrom	446/263
1,841,566	A *	1/1932	Zaurini	446/263
1,907,084	A *	5/1933	Morini	446/263

1,942,006	A *	1/1934	Shikaly	446/249
2,610,440	A *	9/1952	Manske et al.	446/263
D255,589	S *	6/1980	Johnson	D21/461
D310,694	S	9/1990	Gonzalez et al.	D21/96
D402,320	S *	12/1998	Venturini et al.	D21/461

\* cited by examiner

*Primary Examiner* — Catherine Tuttle

(74) *Attorney, Agent, or Firm* — Robert C. Kain, Jr.

(57) **CLAIM**

We claim the ornamental design for the toy with a flying top, as shown and described.

**DESCRIPTION**

FIG. 1 is a left side view showing our new design for the toy with a flying top, the right side view being a mirror image thereof;

FIG. 2 is a front view of FIG. 1;

FIG. 3 is a rear view of FIG. 1;

FIG. 4 is a top view of FIG. 1;

FIG. 5 is a bottom view of FIG. 1;

FIG. 6 is a left side view showing the design with its parts in a separated state, the right side view being a mirror image thereof;

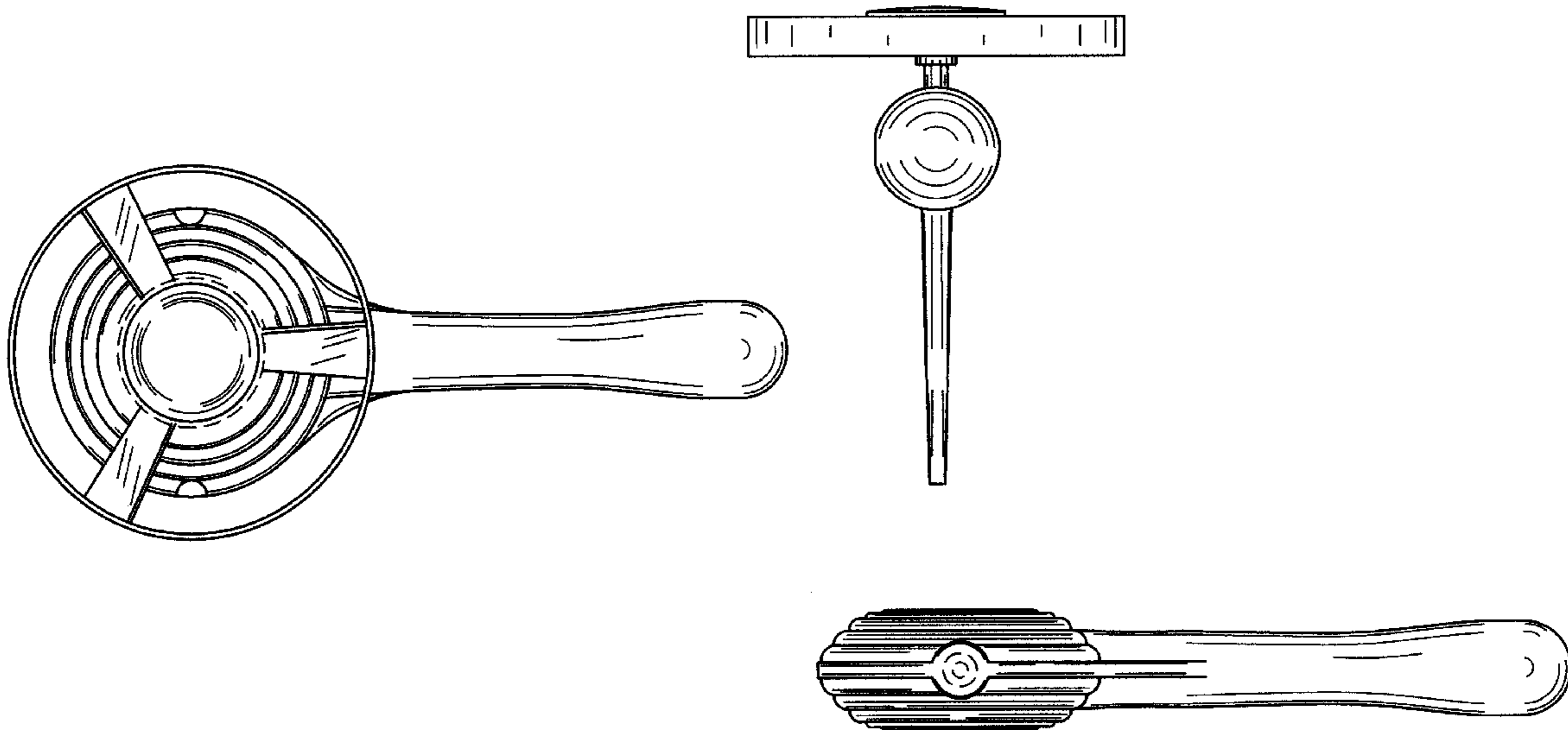
FIG. 7 is a front view of FIG. 6;

FIG. 8 is a rear view of FIG. 6;

FIG. 9 is a top view of FIG. 6; and,

FIG. 10 is a bottom view of FIG. 6.

**1 Claim, 8 Drawing Sheets**



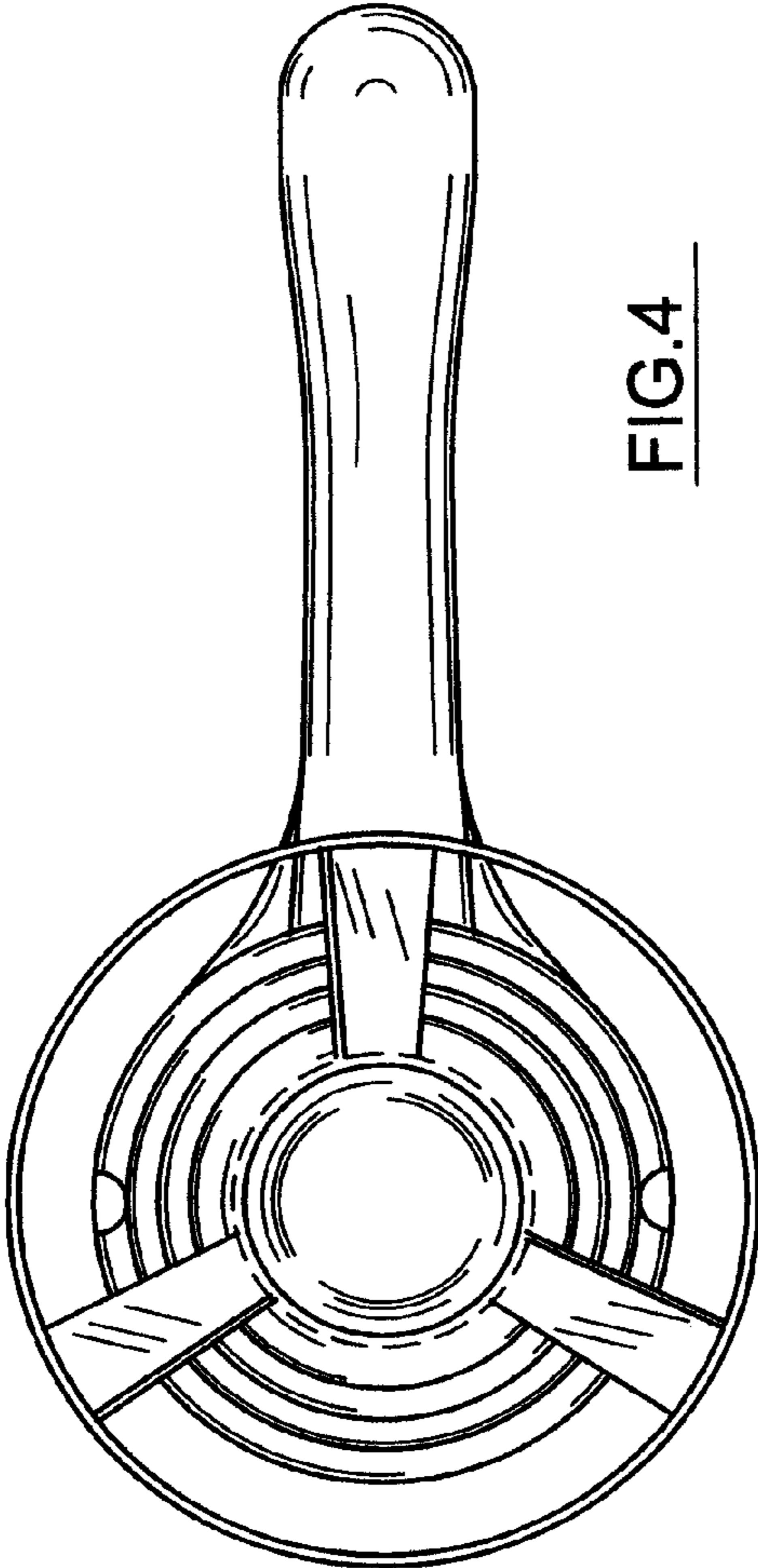


FIG. 4

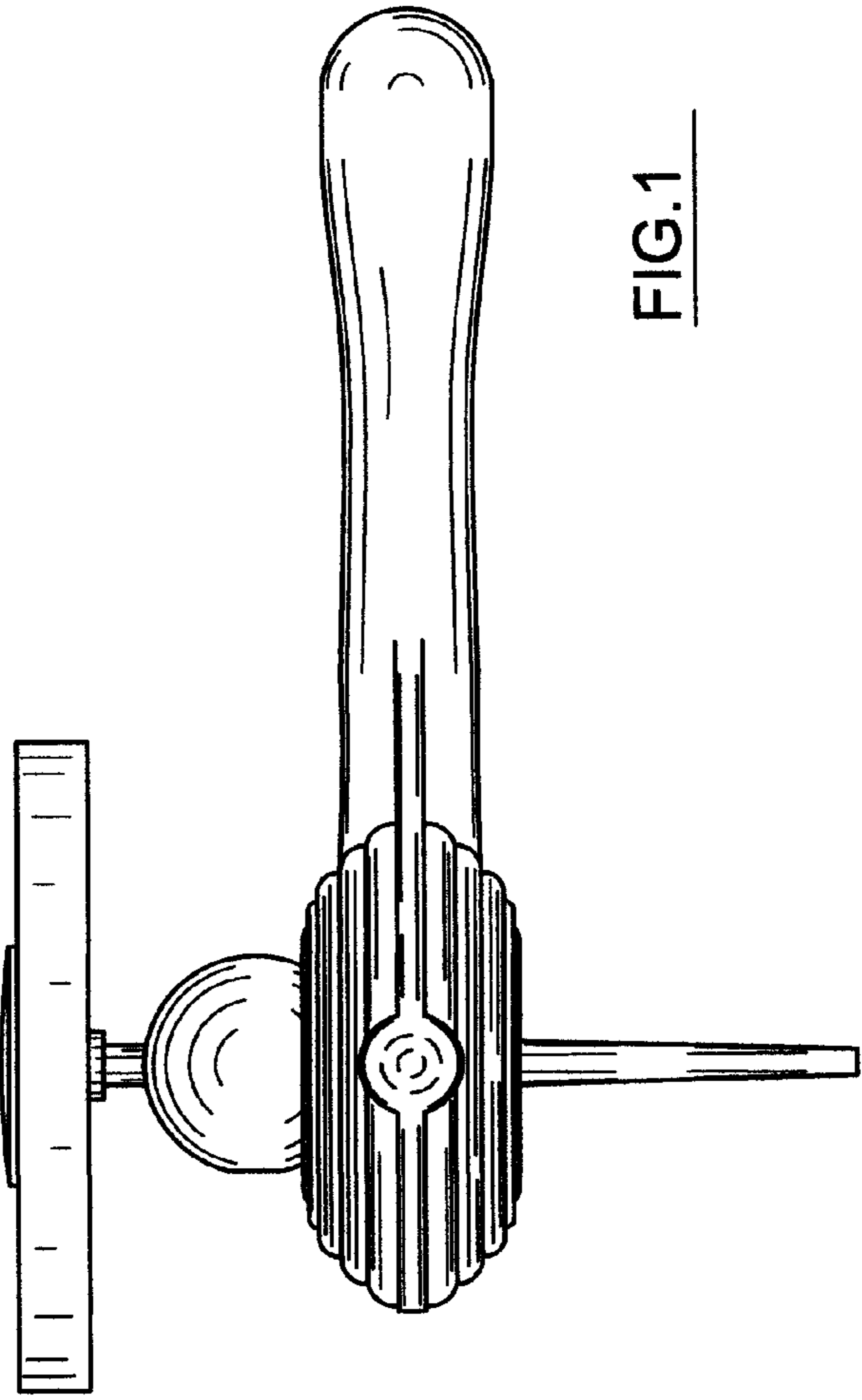


FIG. 1

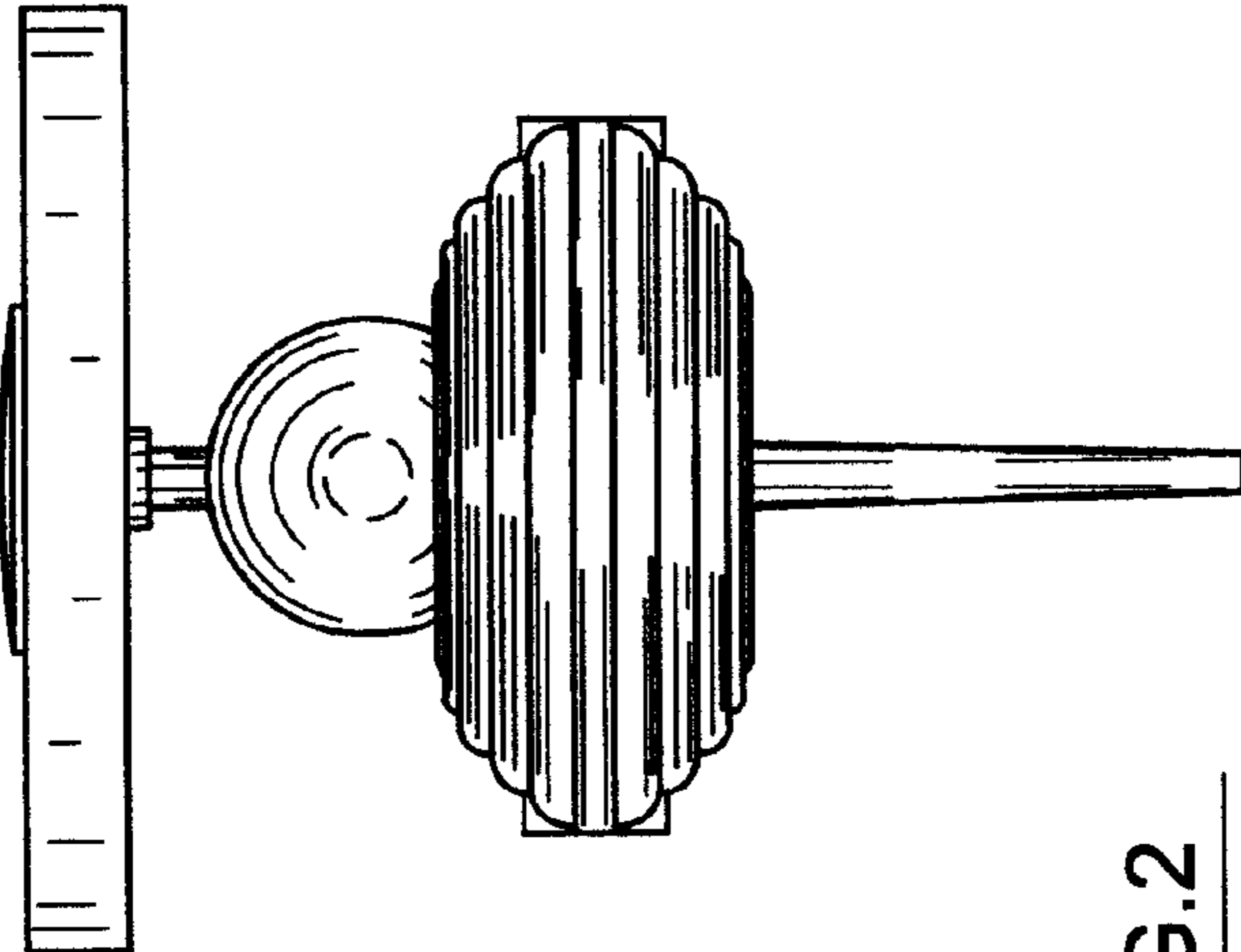


FIG.2

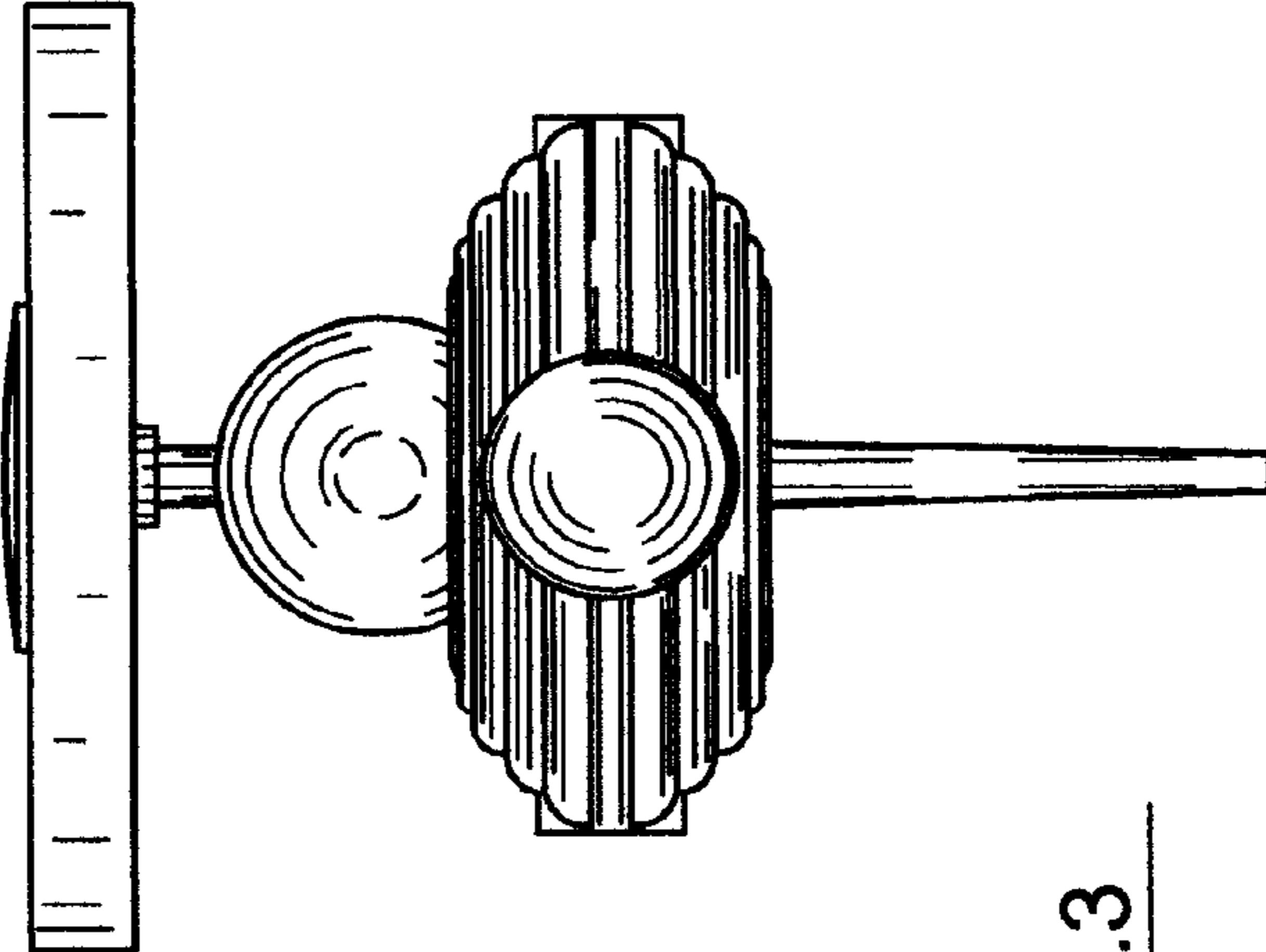
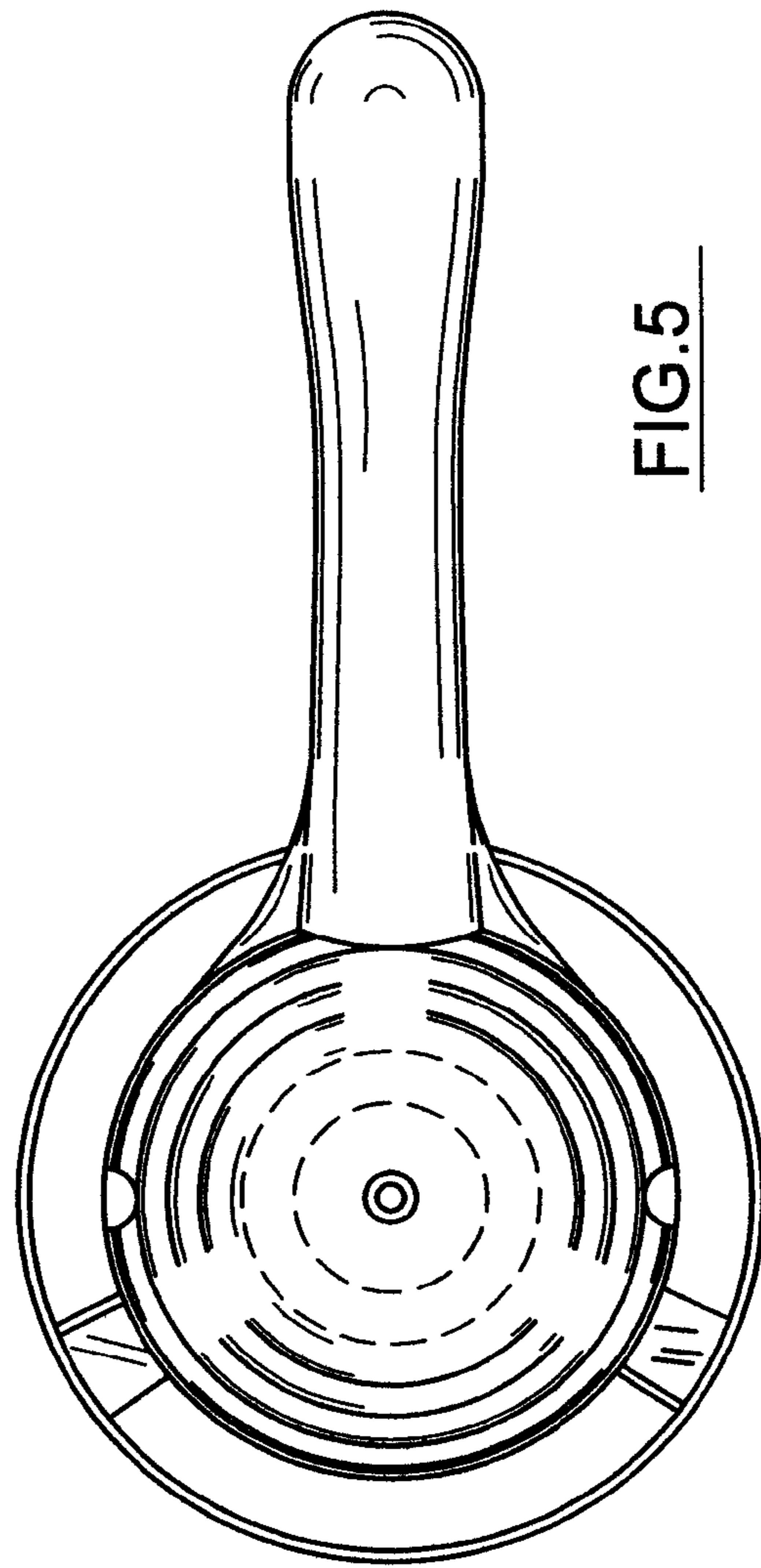
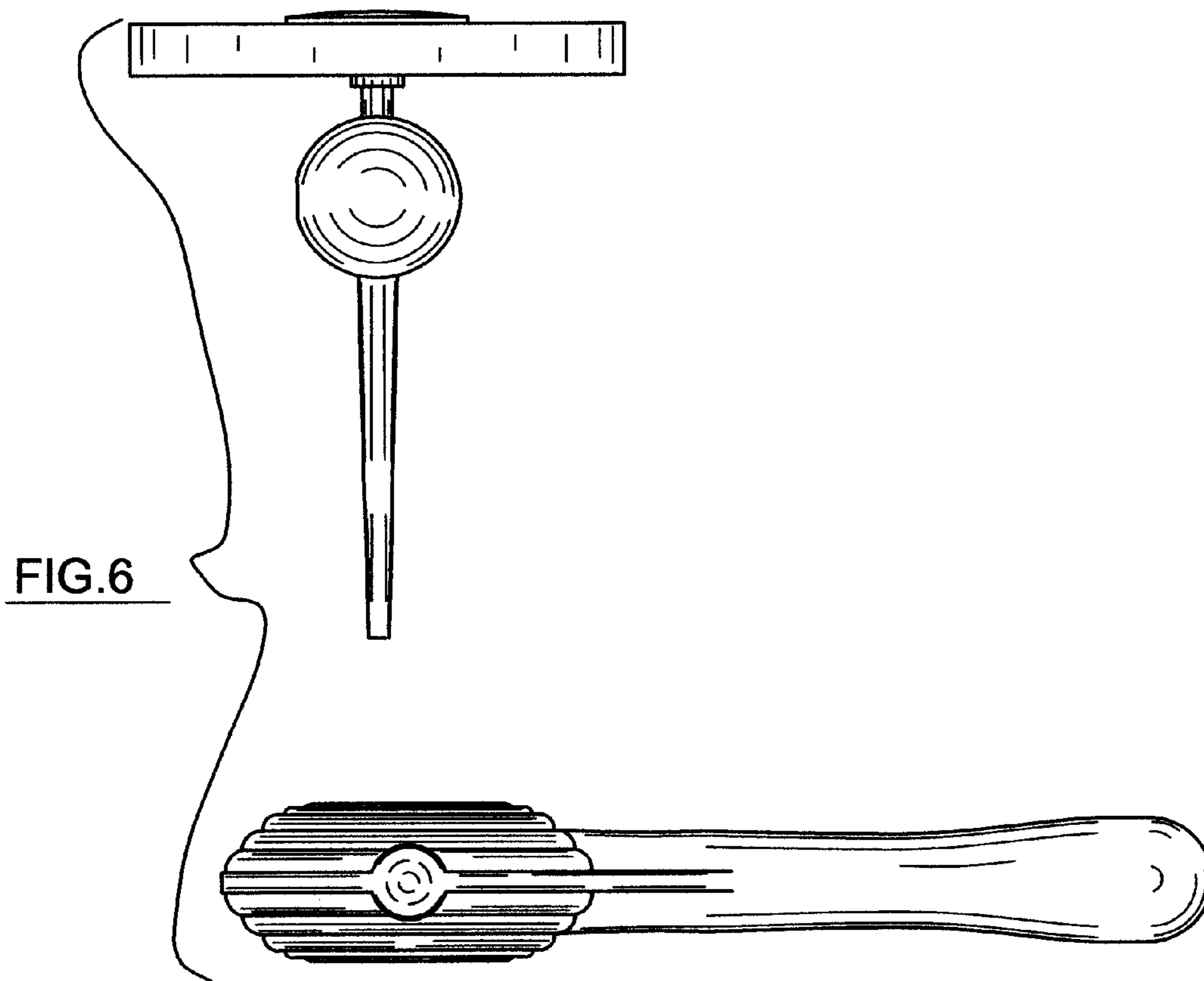


FIG.3





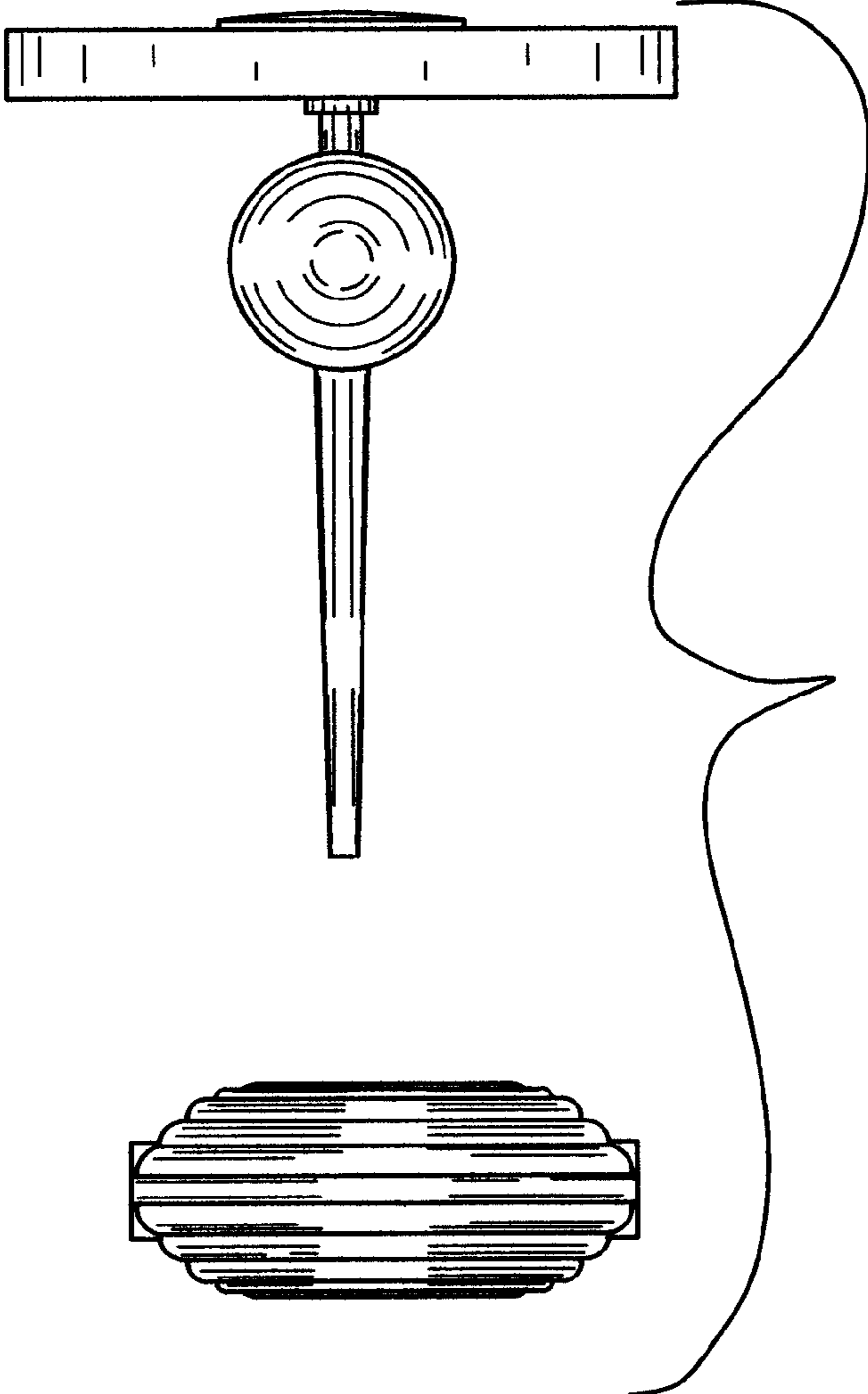


FIG.7

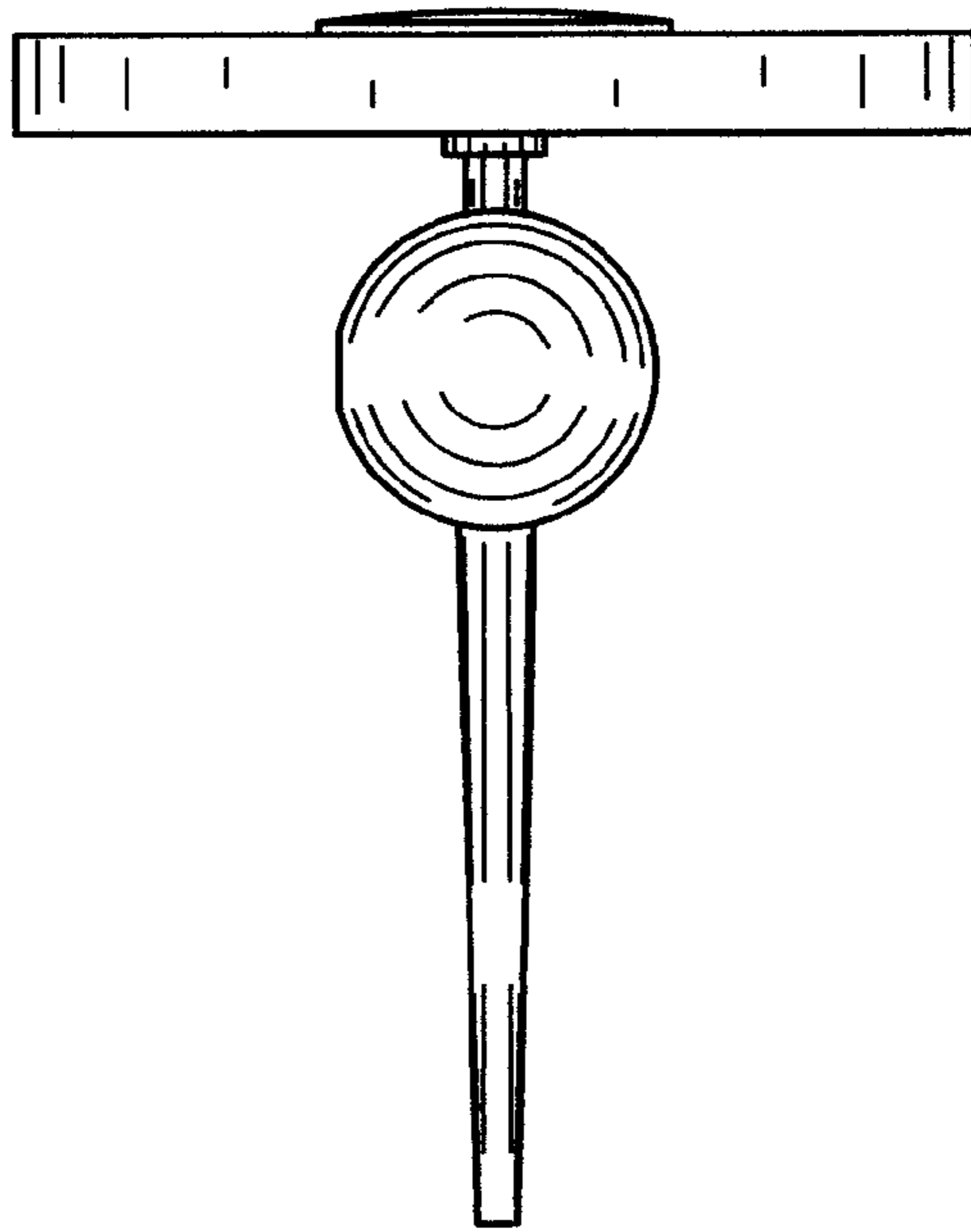
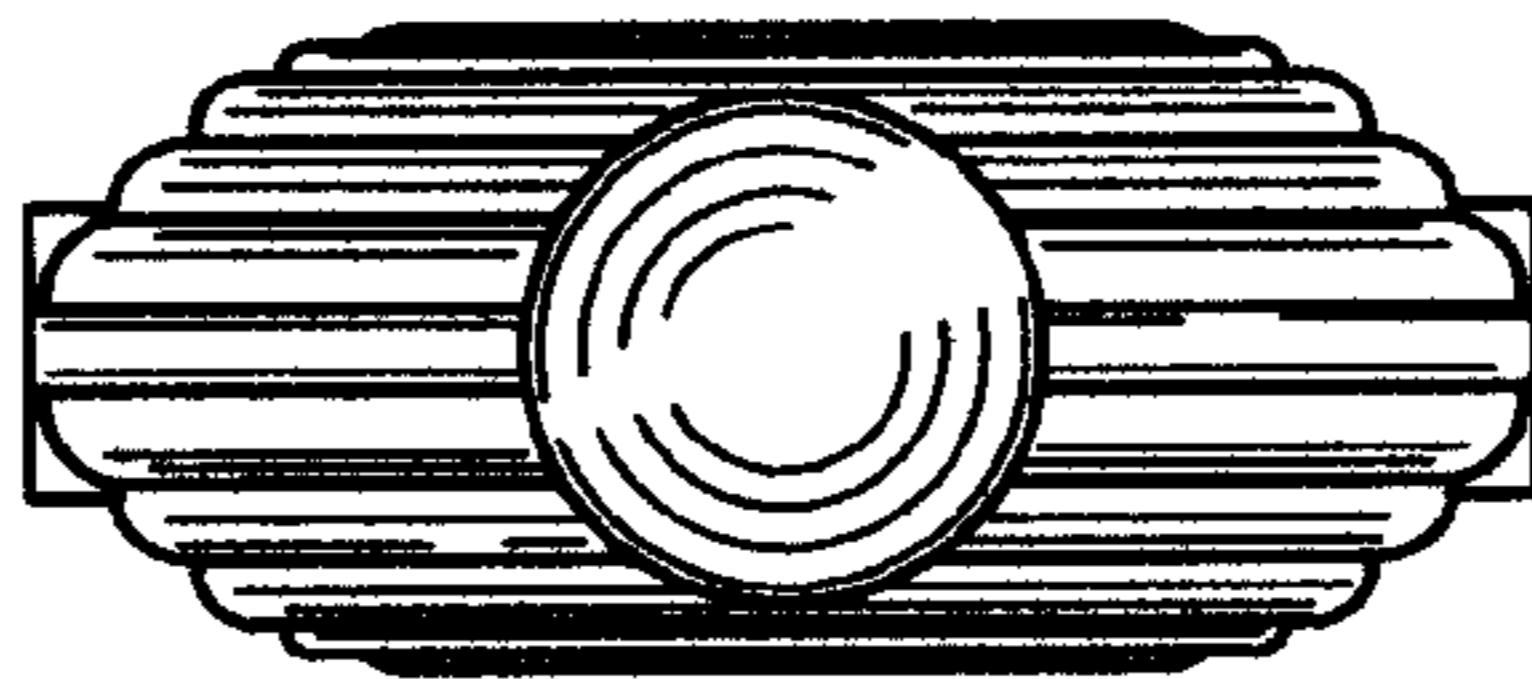


FIG. 8





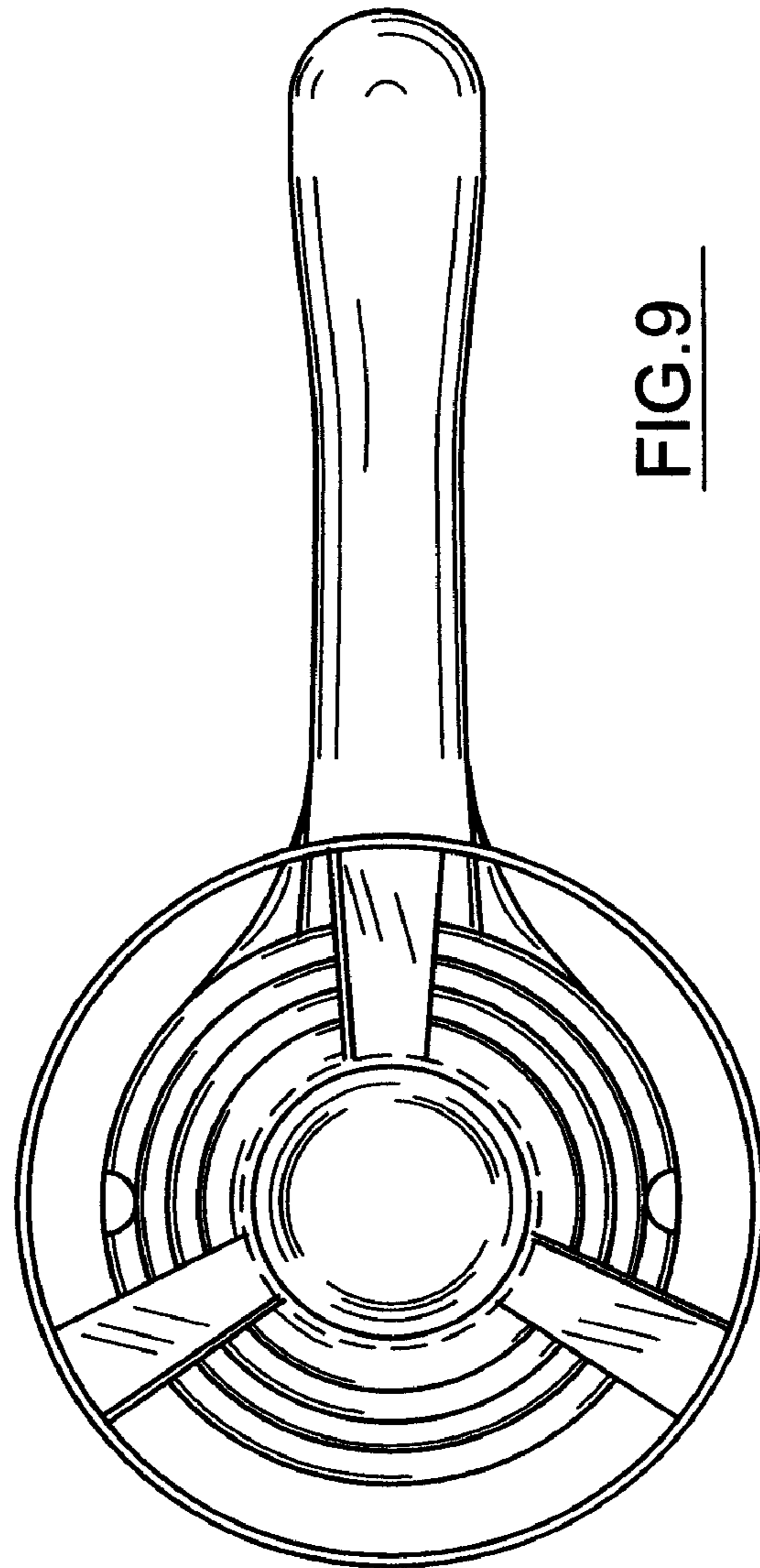


FIG. 9



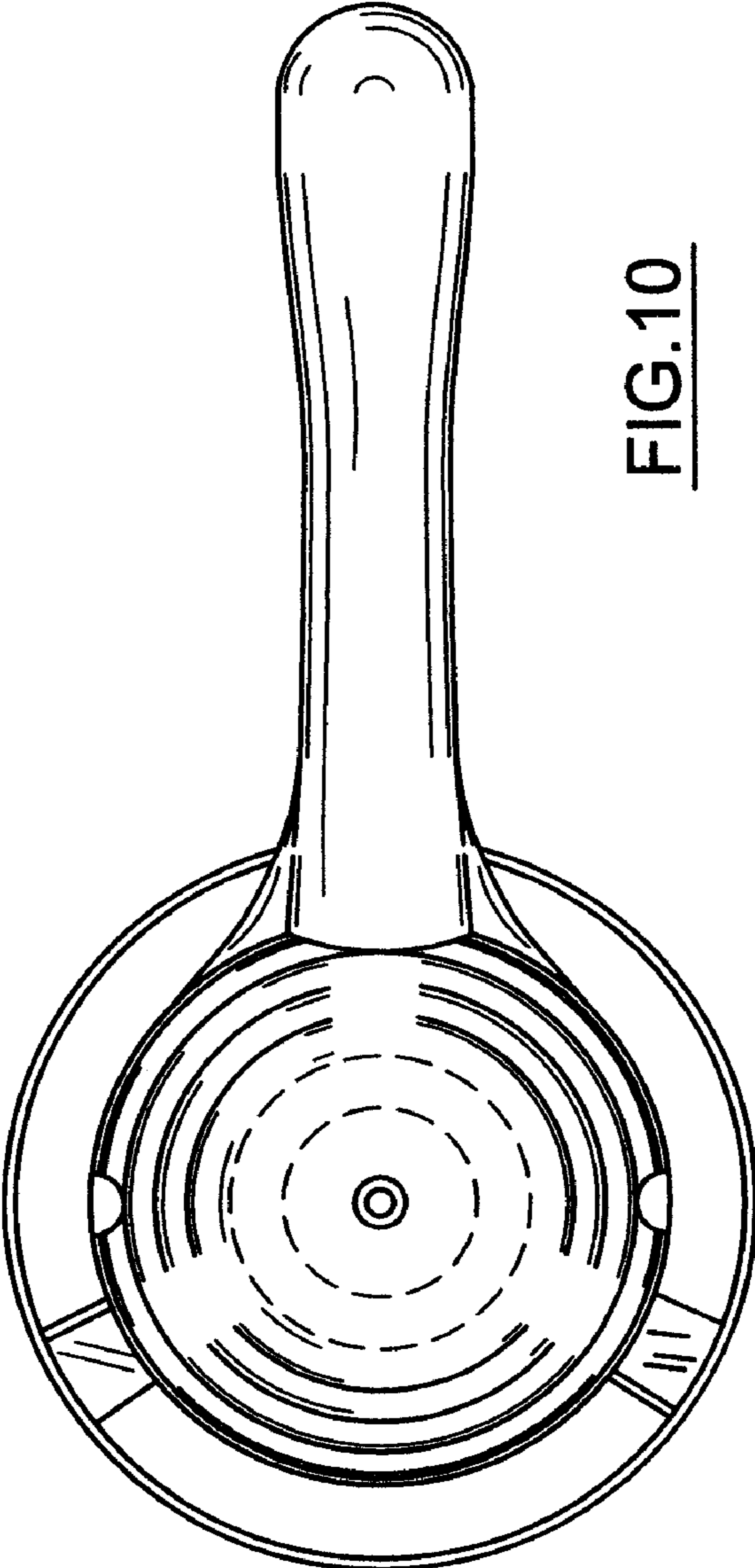


FIG. 10