



US00D675262S

(12) **United States Design Patent**
Burrous et al.

(10) **Patent No.:** **US D675,262 S**
(45) **Date of Patent:** **** Jan. 29, 2013**

(54) **FRAME TRIM EXTRUSION**

(75) Inventors: **Thomas P. Burrous**, Haverhill, MA (US); **David E. Pitcher**, Swampscott, MA (US); **Rebecca C. Suciu**, Lynn, MA (US); **Paul P. Ellsworth**, Burlington, MA (US); **Alan L. Stenfors**, Scituate, MA (US); **Sidney Rose**, Marblehead, MA (US)

(73) Assignee: **Rose Displays Ltd.**, Salem, MA (US)

(**) Term: **14 Years**

(21) Appl. No.: **29/372,397**

(22) Filed: **Feb. 11, 2011**

(51) **LOC (9) Cl.** **19-08**

(52) **U.S. Cl.** **D20/44**

(58) **Field of Classification Search** D25/124;
40/658, 666, 426, 549, 761, 1; D20/43, 44,
D20/10

See application file for complete search history.

(56) **References Cited**

U.S. PATENT DOCUMENTS

D433,459	S	*	11/2000	Balchin	D20/44
D439,929	S	*	4/2001	Shanok	D20/43
D480,112	S	*	9/2003	Santolaya	D20/10
6,779,771	B2	*	8/2004	Ostrovsky et al.	248/316.7
D513,769	S	*	1/2006	Lowry	D20/44
2004/0211101	A1	*	10/2004	Pitcher et al.	40/658

* cited by examiner

Primary Examiner — Doris Clark

(74) *Attorney, Agent, or Firm* — Don Halgren

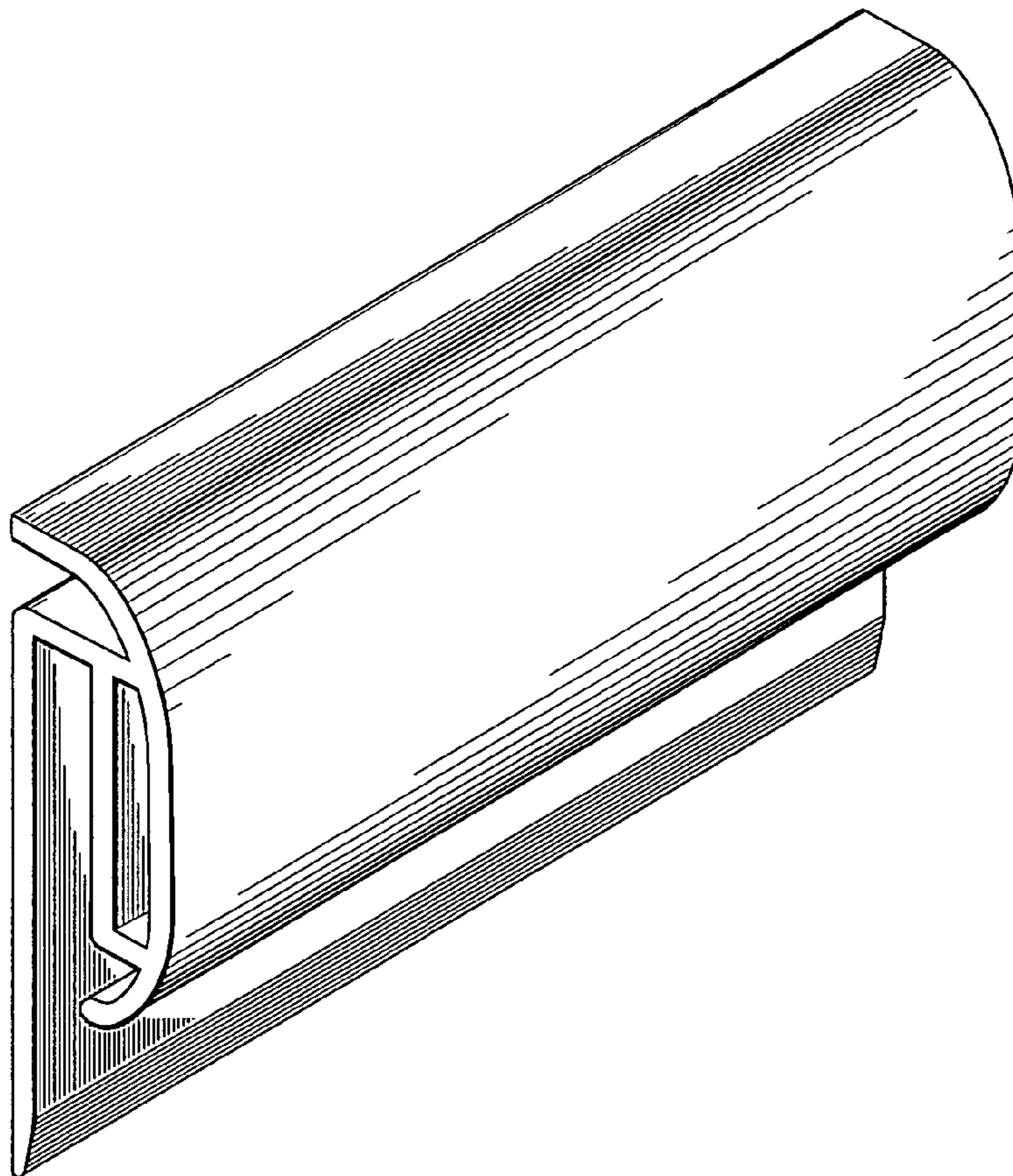
(57) **CLAIM**

The ornamental design for the frame trim extrusion, as shown and described.

DESCRIPTION

FIG. 1 is a front perspective view of the frame trim extrusion showing our new design;
FIG. 2 is a left side view thereof;
FIG. 3 is a right side view thereof;
FIG. 4 is a front view thereof;
FIG. 5 is a rear view thereof;
FIG. 6 is a top view thereof; and,
FIG. 7 is a bottom view thereof.

1 Claim, 4 Drawing Sheets



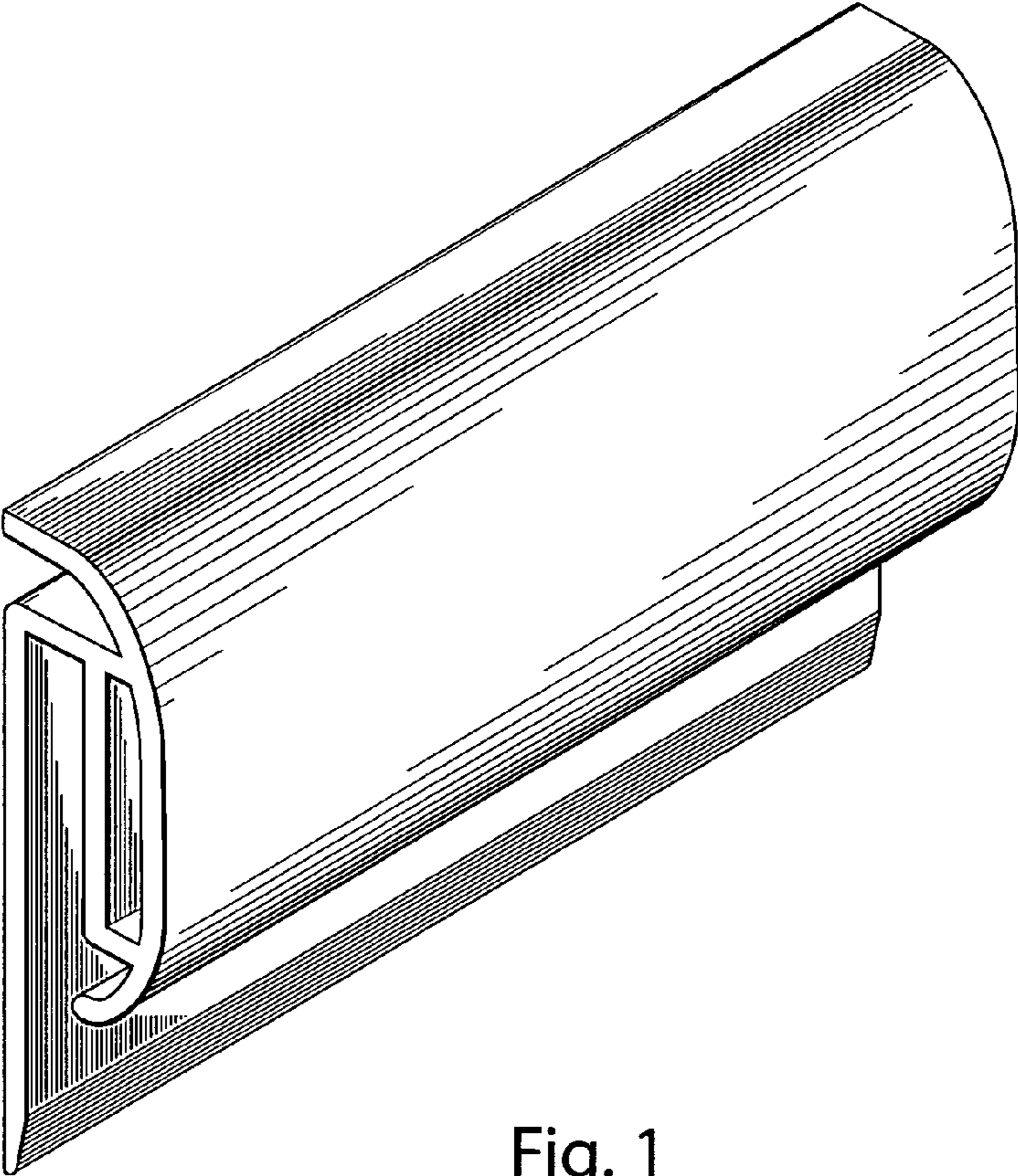


Fig. 1

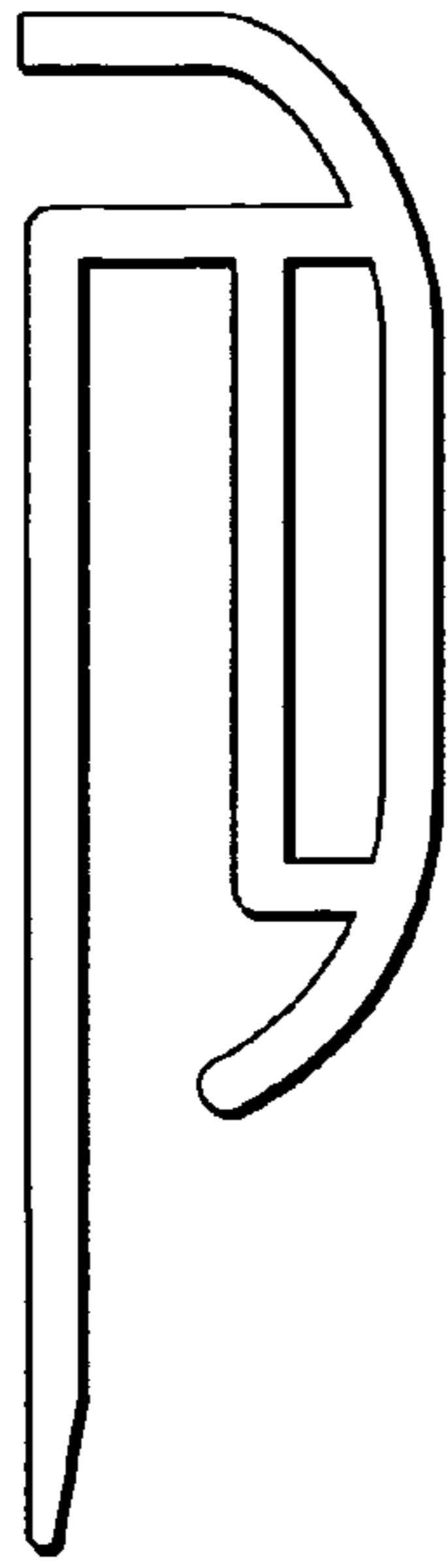


Fig. 2

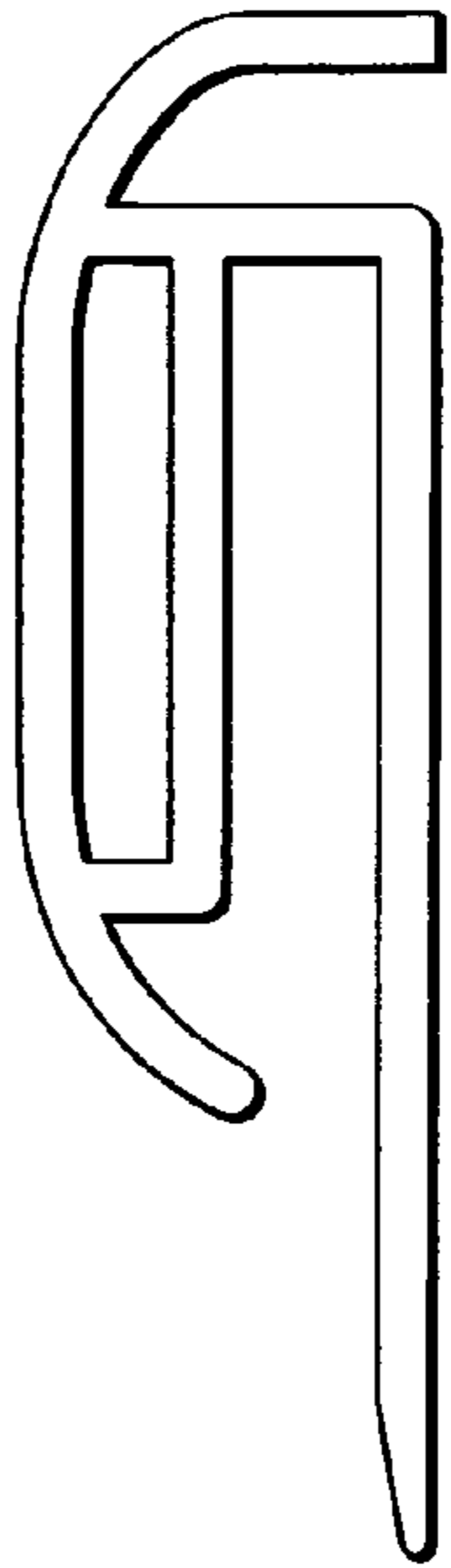


Fig. 3

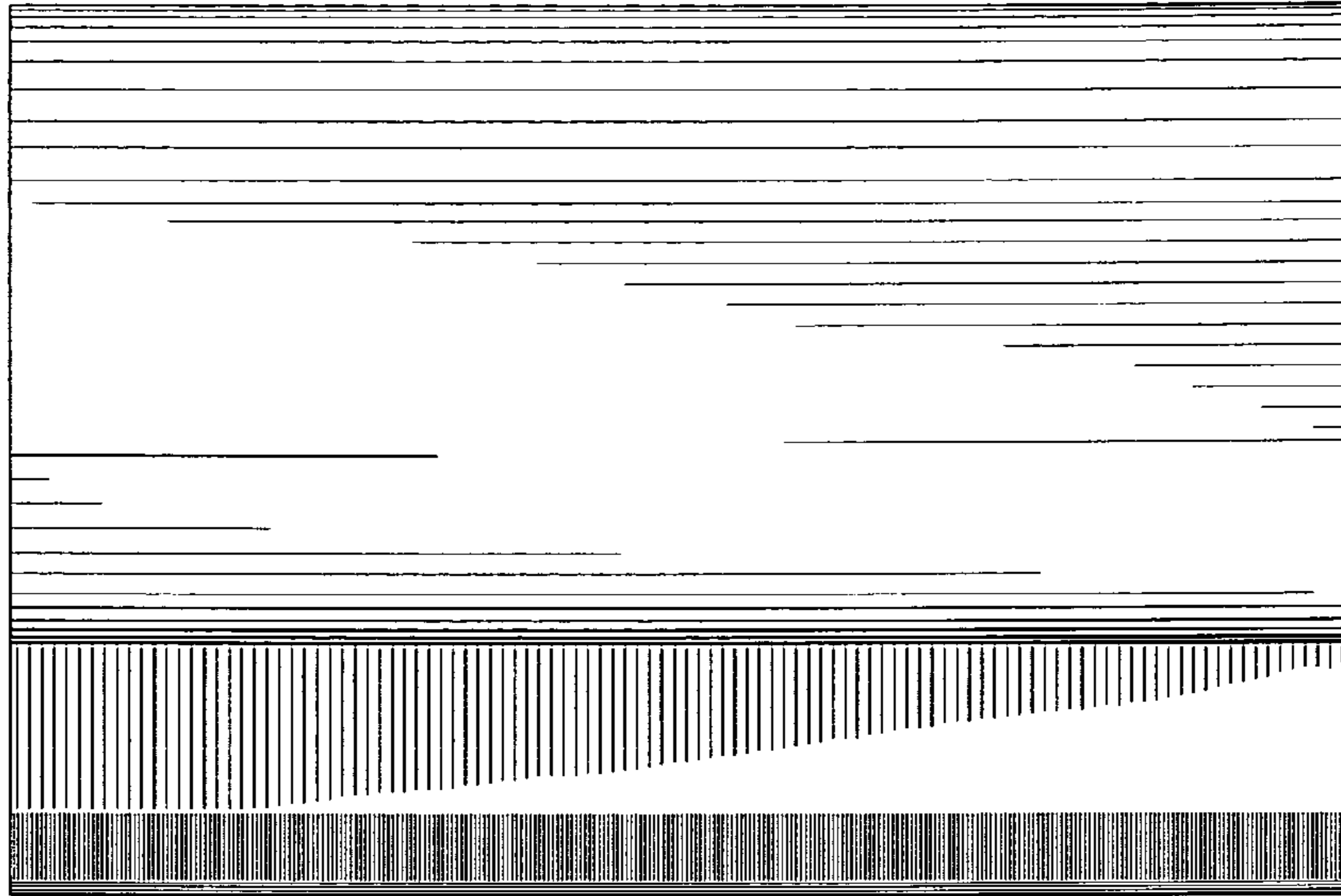


Fig. 4

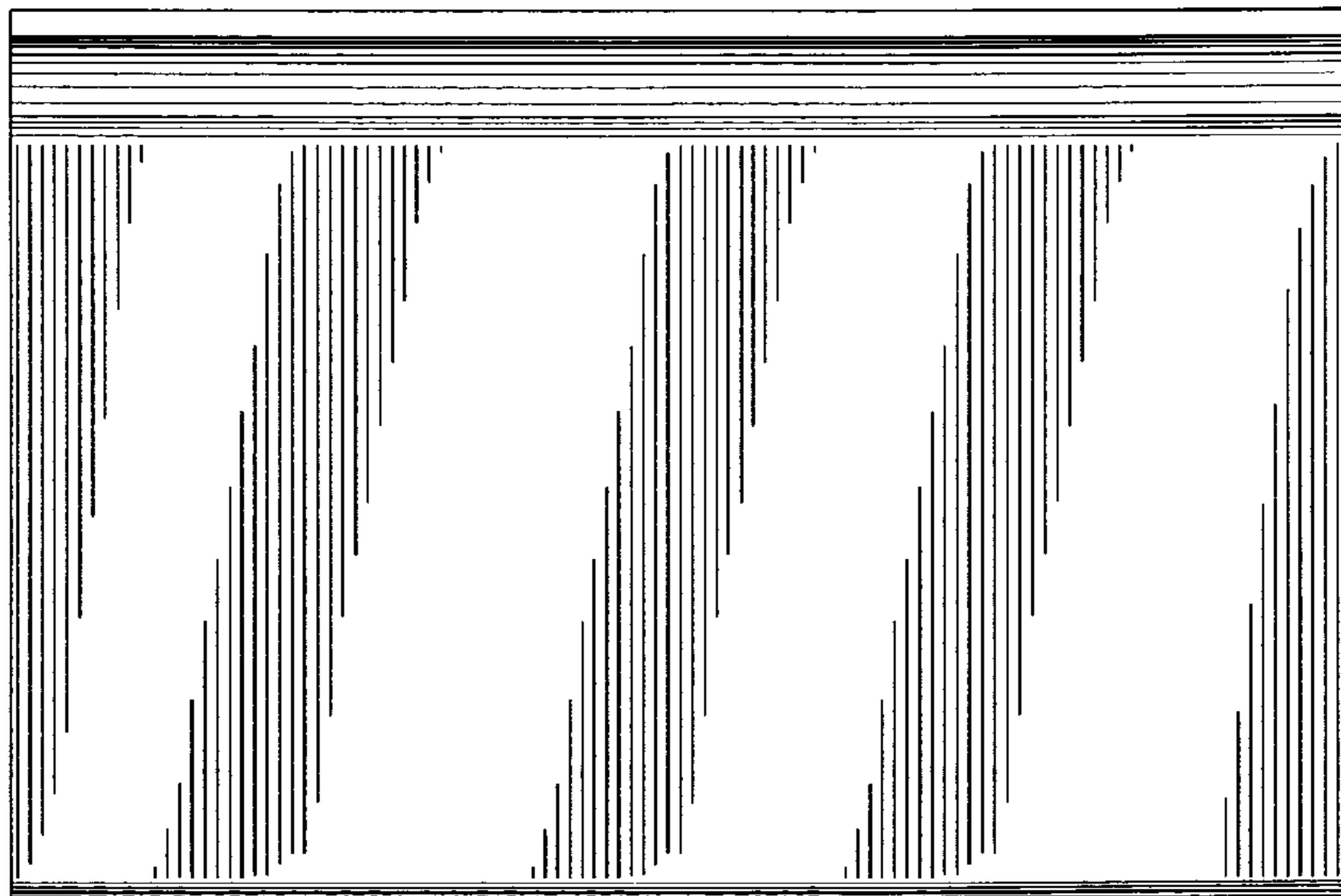


Fig. 5

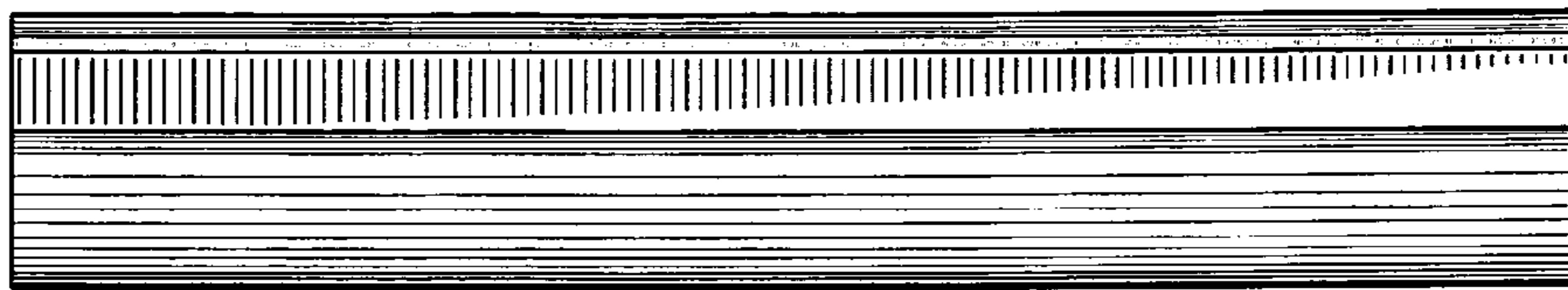


Fig. 6



Fig. 7