



US00D675261S

(12) **United States Design Patent**
Birdwell et al.

(10) **Patent No.:** **US D675,261 S**
(45) **Date of Patent:** **** Jan. 29, 2013**

(54) **LABEL FOR FABRIC AND AIR FRESHENER PRODUCTS**

(75) Inventors: **Amanda Kay Birdwell**, Middletown, OH (US); **Christine Ann Kron**, Liberty Township, OH (US); **Valerie Michelle Aurilio**, Cincinnati, OH (US); **Amelia Lynn Bose**, Cincinnati, OH (US); **Kara Marie Cain**, Cincinnati, OH (US); **Lia Braaten Hager**, Cincinnati, OH (US)

(73) Assignee: **The Procter & Gamble Company**, Cincinnati, OH (US)

(**) Term: **14 Years**

(21) Appl. No.: **29/427,599**

(22) Filed: **Jul. 20, 2012**

Related U.S. Application Data

(62) Division of application No. 29/378,970, filed on Nov. 12, 2010, now Pat. No. Des. 666,245.

(51) **LOC (9) Cl.** **19-08**

(52) **U.S. Cl.** **D20/27**

(58) **Field of Classification Search** D20/10, D20/11, 22-29, 40, 99; 40/5, 124.01-124.09, 40/124.11-124.19, 124.191, 299.01, 310, 40/312, 359, 360, 446, 538, 541, 584, 638, 40/671, 672; D5/20, 63, 64, 99; D10/109.1, D10/113.4; D11/75, 95; D9/454; D19/1, D19/9; 283/56, 71, 81; 428/40.1, 42.1-42.3, 428/202, 914

See application file for complete search history.

(56) **References Cited**

U.S. PATENT DOCUMENTS

D23,109 S *	3/1894	Elmer	D11/75
D26,692 S	2/1897	Brooke		
D59,374 S	10/1921	Patterson		
D104,202 S	4/1937	Spencer		
D134,555 S	12/1942	Jenkins		
D392,681 S	3/1998	Kuelbs et al.		
D582,987 S	12/2008	Marmier		
D597,606 S	8/2009	Chin et al.		
D622,774 S	8/2010	Seum et al.		
D633,150 S	2/2011	Tesner et al.		
D633,788 S	3/2011	Slayton et al.		
D634,552 S	3/2011	Bischoff et al.		
D635,194 S	3/2011	Katz		
D650,863 S	12/2011	Fiero		
D656,399 S *	3/2012	Gonzalez et al.	D9/434
D666,245 S *	8/2012	Birdwell et al.	D20/27

OTHER PUBLICATIONS

Premium Glade website: <http://www.glade.com/en-US/Products/Pages/GladeFabricAir.aspx> downloaded Mar. 29, 2012.
U.S. Appl. No. 29/378,970, filed Nov. 12, 2010, Amanda Kay Birdwell, et al.

* cited by examiner

Primary Examiner — Mary Ann Calabrese

(74) *Attorney, Agent, or Firm* — Amy I Ahn-Roll

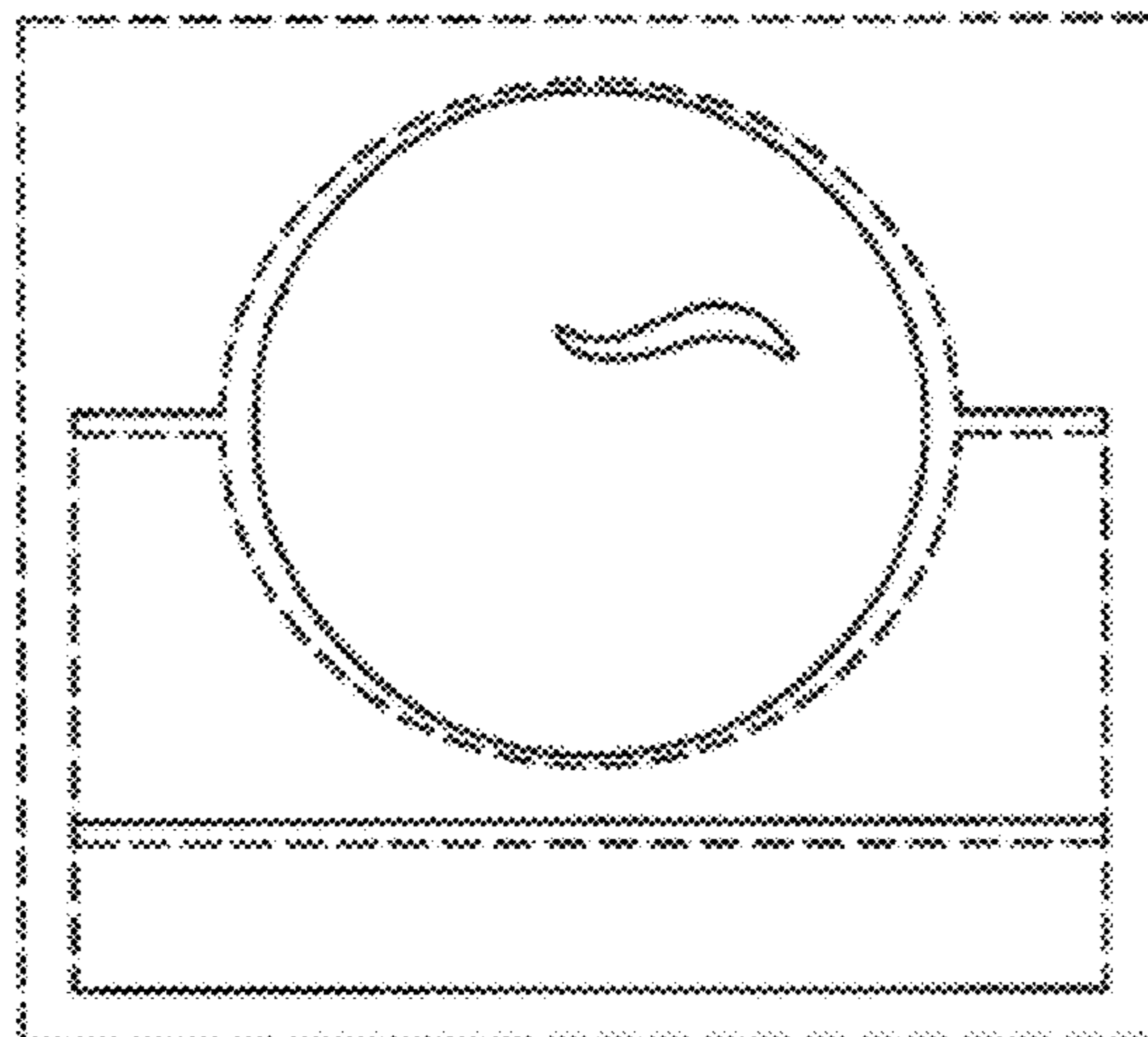
(57) **CLAIM**

The ornamental design for a label for fabric and air freshener products, as shown and described.

DESCRIPTION

FIG. 1 is a front plan view of a first embodiment of a label for fabric and air freshener products; and, FIG. 2 is a front plan view of a second embodiment of a label for fabric and air freshener products. The broken line showing of environmental structure in the figures is for illustrative purposes only and forms no part of the claimed design.

1 Claim, 1 Drawing Sheet



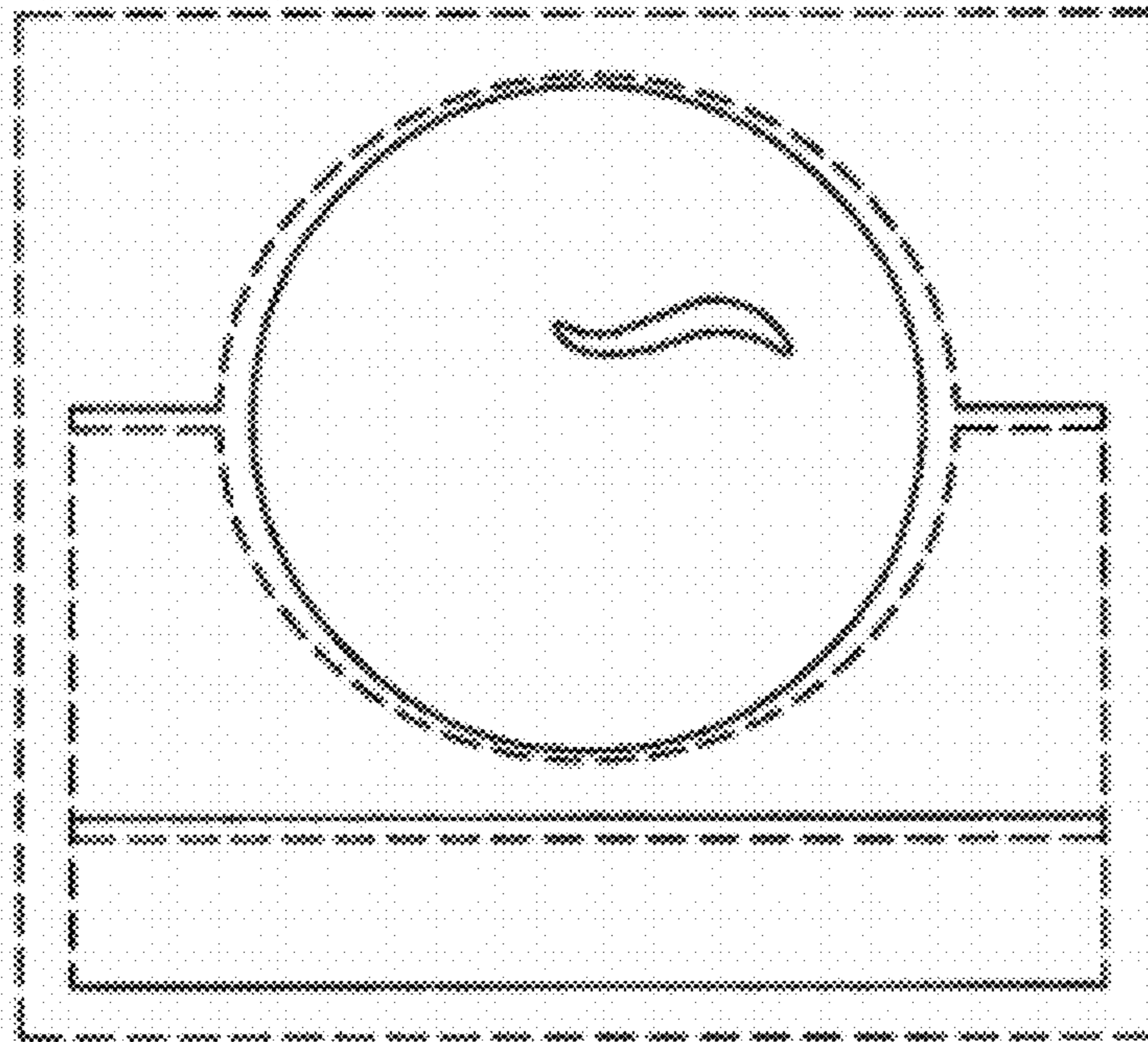


FIG. 1

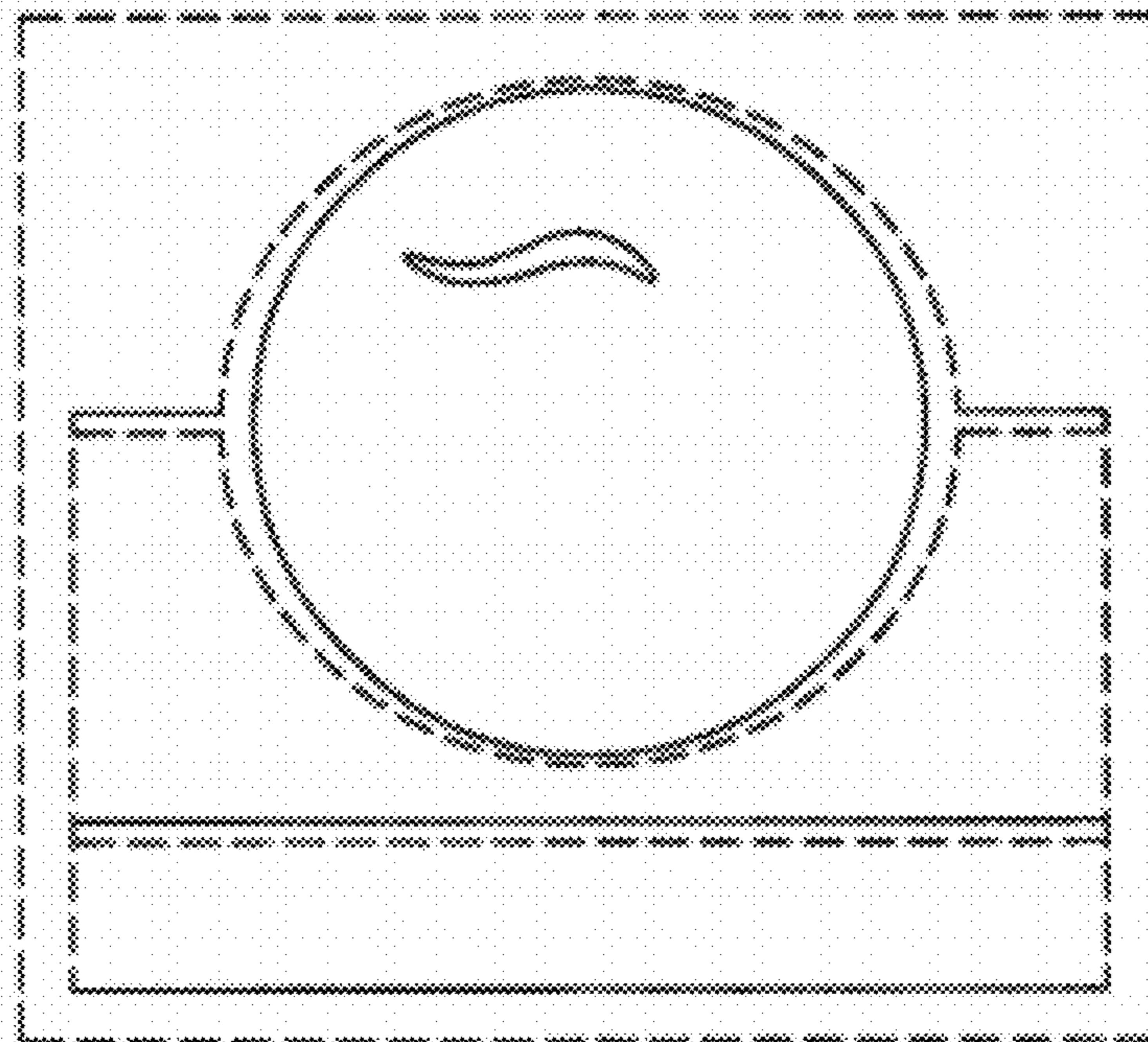


FIG. 2