



US00D675260S

(12) **United States Design Patent**
Yarbrough et al.

(10) **Patent No.:** **US D675,260 S**
(45) **Date of Patent:** **** Jan. 29, 2013**

(54) **ELONGATED HOLE PUNCH**

(76) Inventors: **Willard E. Yarbrough**, Enterprise, AL (US); **Peggy J. Yarbrough**, Enterprise, AL (US)

(**) Term: **14 Years**

(21) Appl. No.: **29/414,385**

(22) Filed: **Feb. 28, 2012**

(51) **LOC (9) Cl.** **19-02**

(52) **U.S. Cl.** **D19/72**

(58) **Field of Classification Search** D8/52,
D8/54, 55, 58, 98; D19/72; 30/358, 359,
30/363; 83/684, 686

See application file for complete search history.

(56) **References Cited**

U.S. PATENT DOCUMENTS

15,795	A *	9/1856	Simpson	30/363
300,831	A *	6/1884	Atwood	30/363
507,672	A *	10/1893	Brooks	30/363
574,164	A *	12/1896	Pryor et al.	30/363
604,564	A *	5/1898	Kraeuter	30/363
1,016,752	A *	2/1912	Leith	30/363
1,076,732	A *	10/1913	Zimmerman	30/363
1,176,793	A *	3/1916	Tuttle	29/21.1
1,464,807	A *	8/1923	Clark	433/144
1,827,180	A *	10/1931	William	30/363
D113,225	S *	2/1939	Heise	D19/72
2,191,382	A *	2/1940	Hart	30/363

2,307,617	A *	1/1943	Braun	83/33
2,595,841	A *	5/1952	Glick et al.	30/229
2,738,009	A *	3/1956	Jones	30/363
3,276,355	A *	10/1966	Carter	101/26
4,476,633	A *	10/1984	Brych	30/363
4,987,683	A *	1/1991	Brych	30/363
5,327,652	A *	7/1994	Balback	30/359
5,862,599	A *	1/1999	Johnson et al.	30/364
D410,370	S *	6/1999	Brown	D8/58
D458,099	S *	6/2002	Ruszczuk	D8/54

* cited by examiner

Primary Examiner — Elizabeth Albert

(74) *Attorney, Agent, or Firm* — Montgomery Patent & Design LLC; Robert C. Montgomery

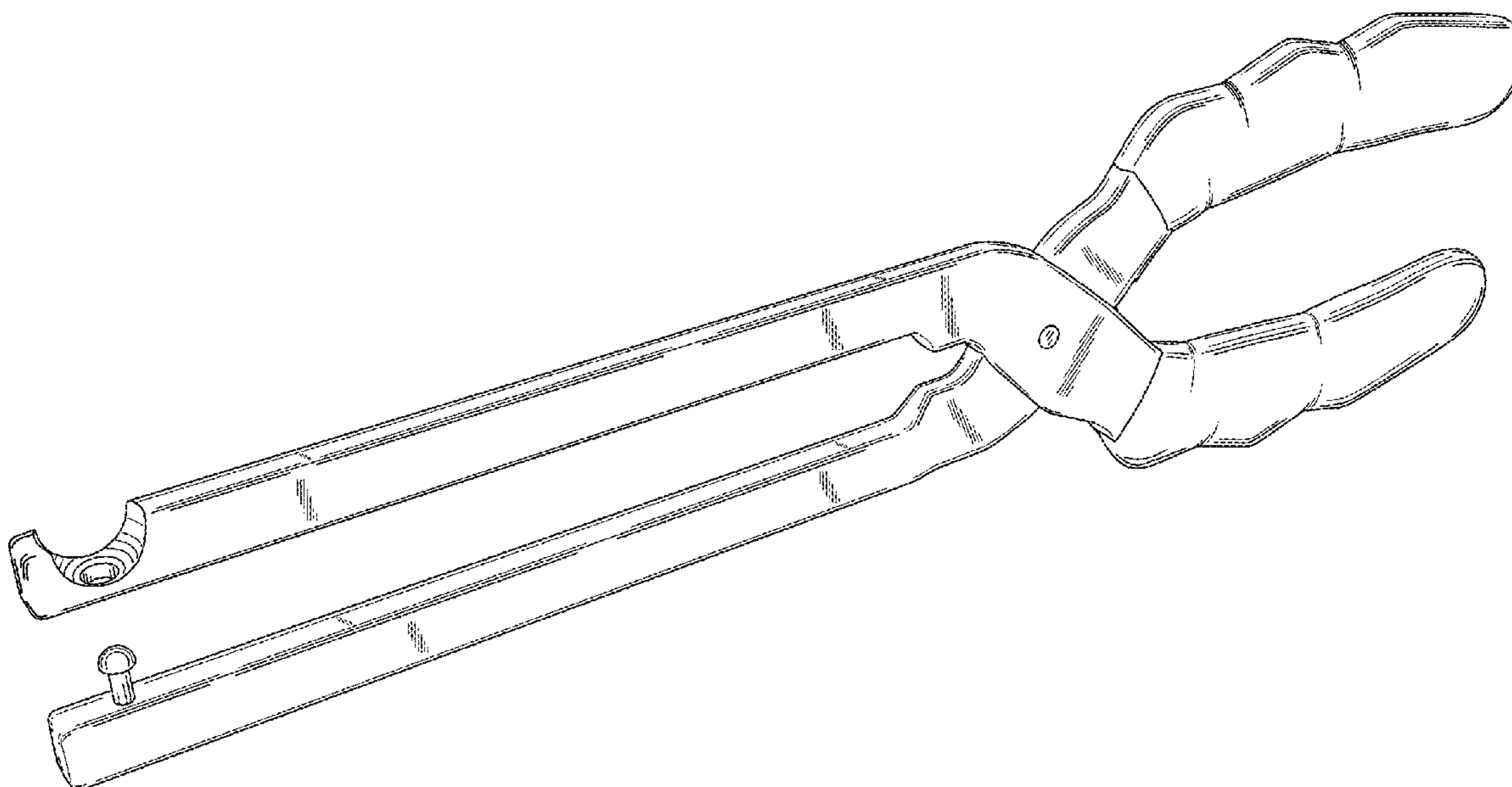
(57) **CLAIM**

The ornamental design for an elongated hole punch, as shown and described.

DESCRIPTION

FIG. 1 is a perspective front view of an elongated hole punch, showing our new design;
FIG. 2 is a perspective rear view thereof;
FIG. 3 is a front view thereof;
FIG. 4 is a rear view thereof;
FIG. 5 is a right side view thereof;
FIG. 6 is a left side view thereof;
FIG. 7 is a top view thereof; and,
FIG. 8 is a bottom view thereof.

1 Claim, 7 Drawing Sheets



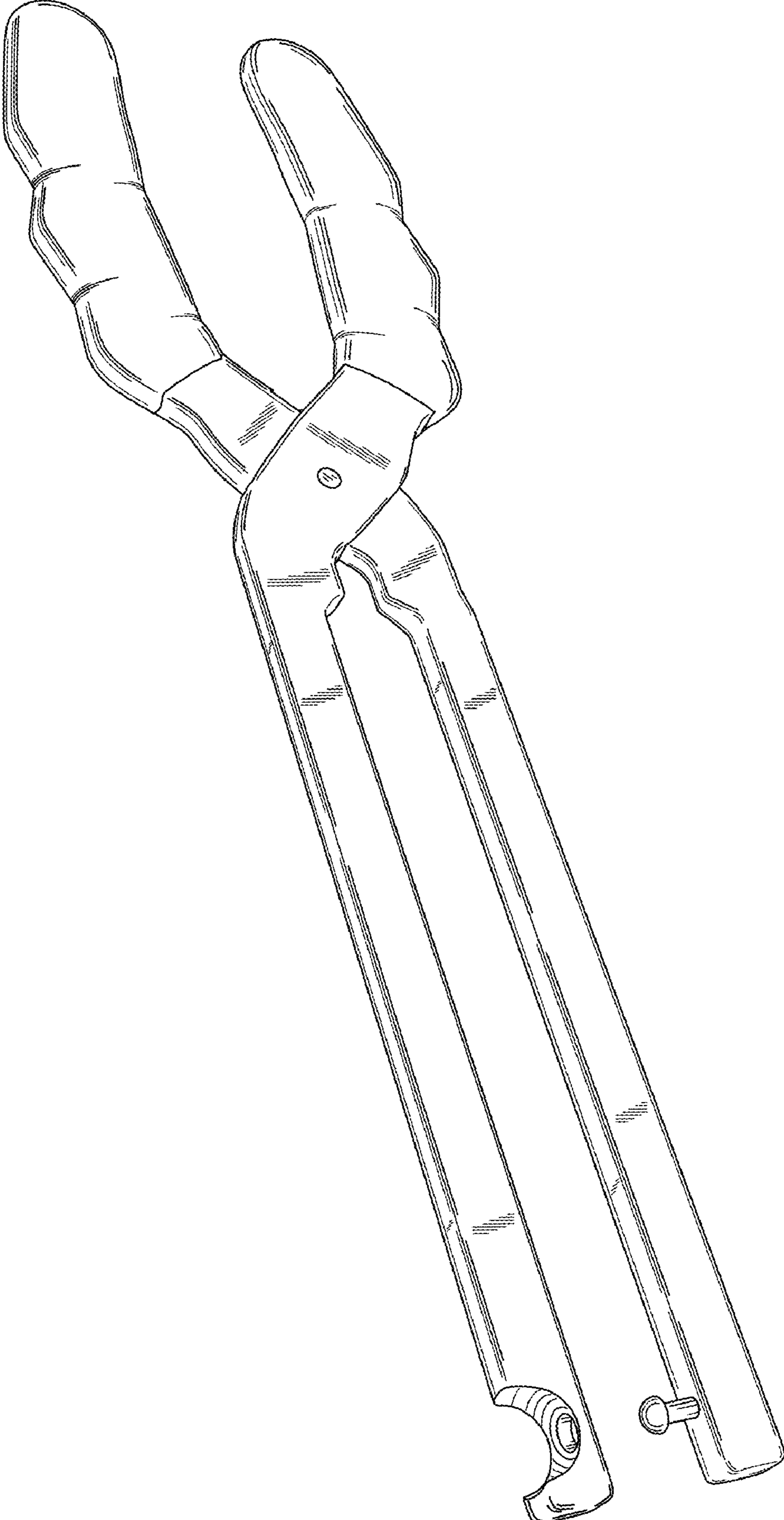


Fig. 1

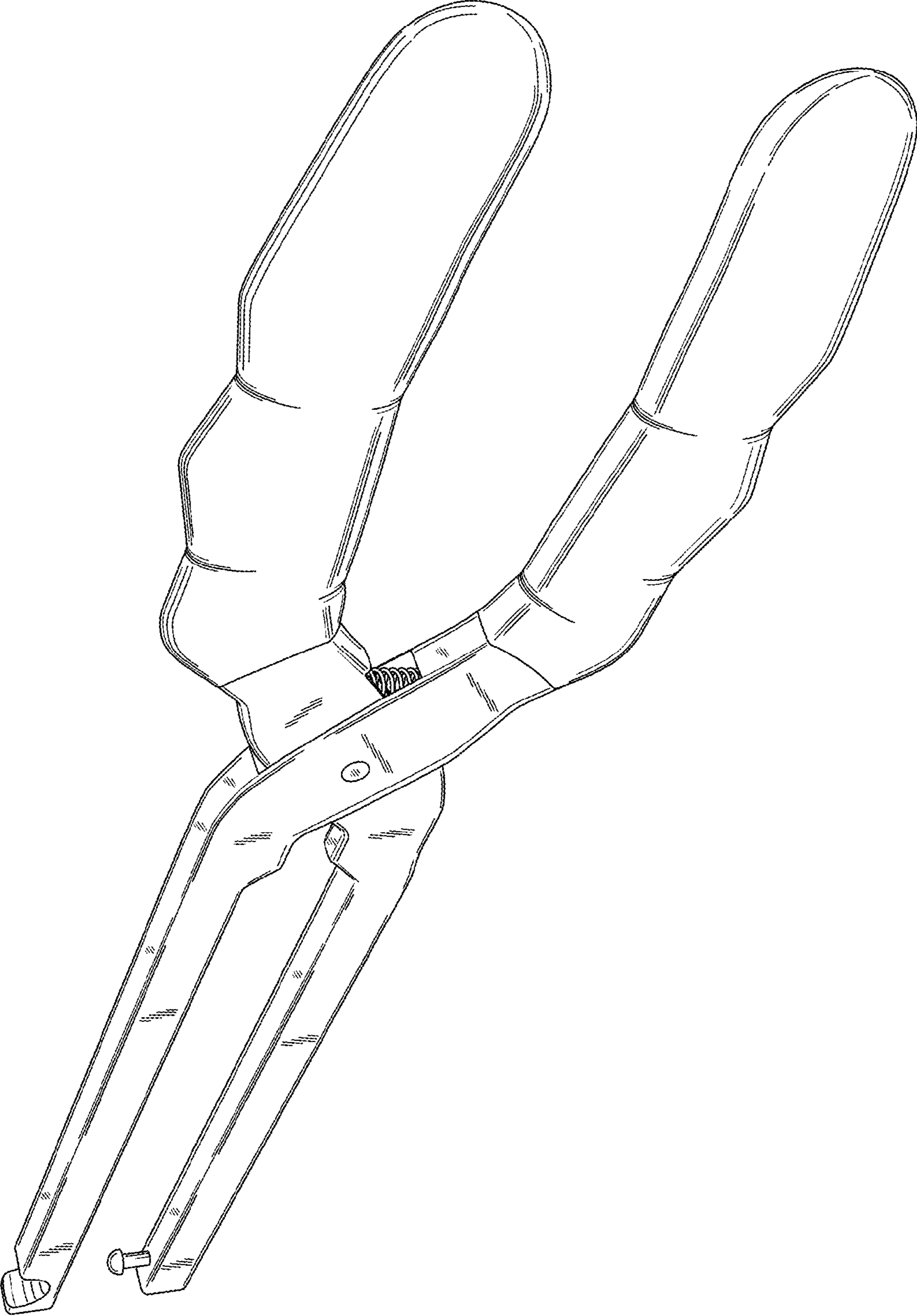


Fig. 2

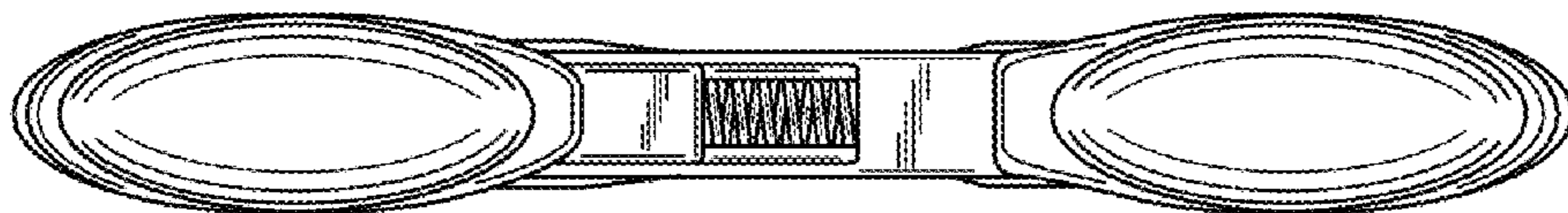


Fig. 4

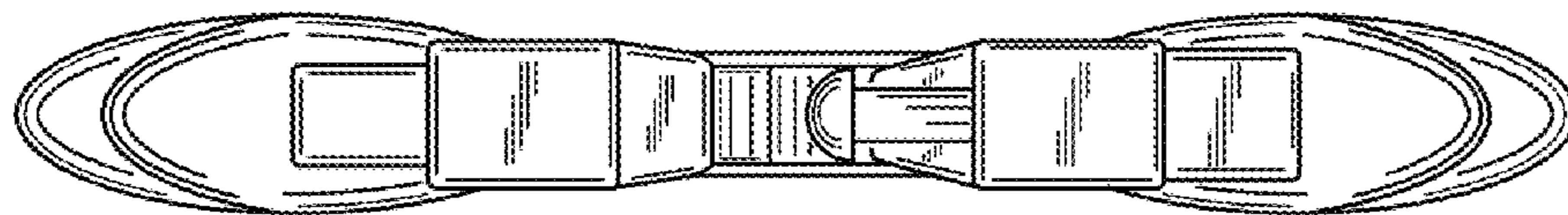


Fig. 3

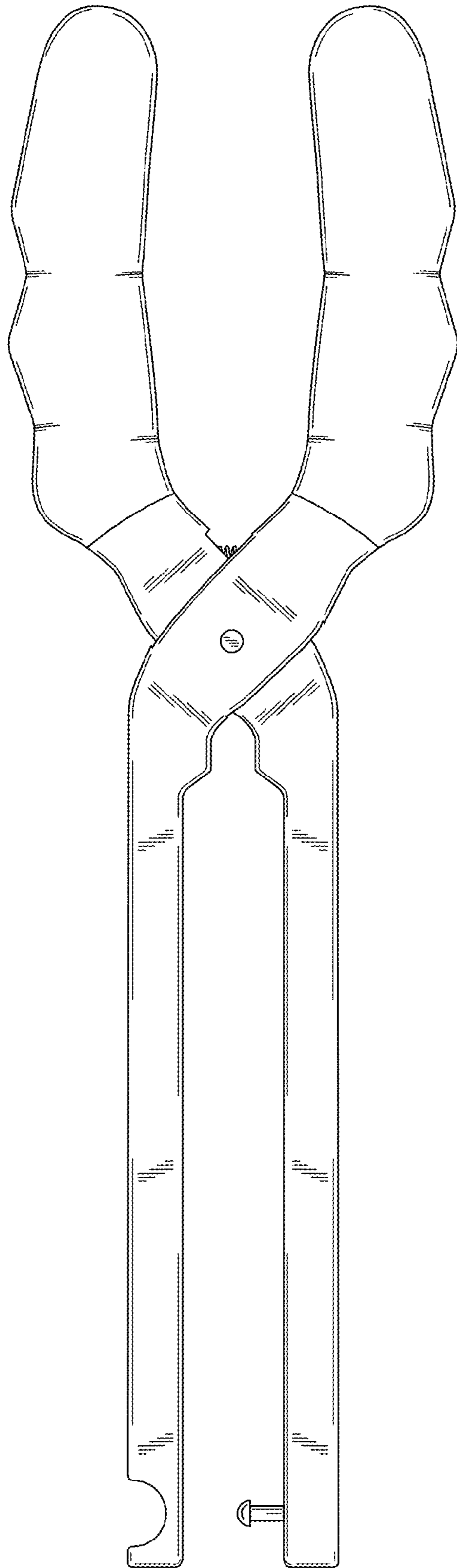


Fig. 5

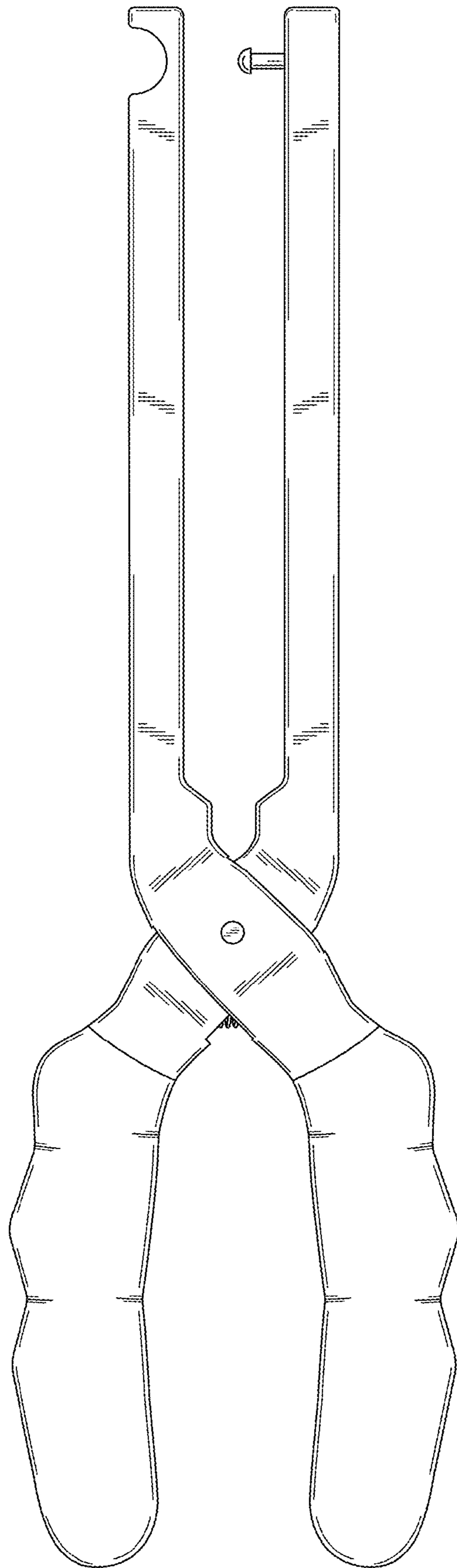


Fig. 6

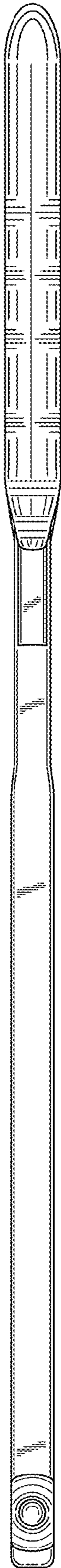


Fig. 7

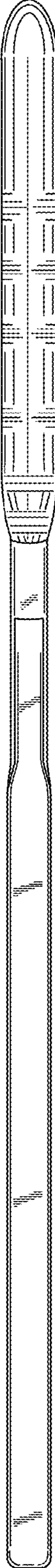


Fig. 8