



US00D675255S

(12) **United States Design Patent**
Kubota et al.

(10) **Patent No.:** **US D675,255 S**
(45) **Date of Patent:** **** Jan. 29, 2013**

(54) **TAPE CARTRIDGE FOR A LABEL PRINTER**

(75) Inventors: **Tomoyuki Kubota**, Matsumoto (JP);
Shinsaku Kosuge, Matsumoto (JP);
Hideki Sakano, Matsumoto (JP);
Hiroaki Tanaka, Tama (JP)

(73) Assignee: **Seiko Epson Corporation**, Tokyo (JP)

(**) Term: **14 Years**

(21) Appl. No.: **29/413,854**

(22) Filed: **Feb. 22, 2012**

(30) **Foreign Application Priority Data**

Dec. 21, 2011 (JP) 2011-029628
Dec. 21, 2011 (JP) 2011-029629

(51) **LOC (9) Cl.** **18-02**

(52) **U.S. Cl.** **D18/56**

(58) **Field of Classification Search** D18/12,
D18/40, 43, 56; 347/86, 214; 400/196, 196.1,
400/207-208, 208.1, 242

See application file for complete search history.

(56) **References Cited**

U.S. PATENT DOCUMENTS

5,269,612 A * 12/1993 Shimoha et al. 400/207
5,599,115 A * 2/1997 Radcliffe et al. 400/207
D466,150 S * 11/2002 Matsumoto et al. D18/56
6,520,631 B1 * 2/2003 Silverbrook et al. 347/86
6,565,181 B2 * 5/2003 Silverbrook 347/86
D525,297 S * 7/2006 Okuchi et al. D18/56
7,270,493 B2 * 9/2007 Unotoro 400/582
D579,942 S * 11/2008 Terry et al. D18/56
D582,473 S * 12/2008 Park et al. D18/56
D586,388 S * 2/2009 Pomfret D18/56
D610,607 S * 2/2010 Kachi et al. D18/56
7,959,272 B2 * 6/2011 Silverbrook et al. 347/86

FOREIGN PATENT DOCUMENTS

AU 147478 S 4/2002
AU 318031 S 2/2008
EM 000127071-0004 S 5/2004
EM 000729967-0001 S 3/2007

JP 1392805 S 7/2010
JP 1410056 S 3/2011
WO DM/047317 S 6/1999

OTHER PUBLICATIONS

Office Action dated Apr. 18, 2012 for corresponding Russian Design Application No. 2011504132.

* cited by examiner

Primary Examiner — Cathy A MacCormac

(57) **CLAIM**

The ornamental design for a tape cartridge for a label printer, as shown and described.

DESCRIPTION

FIG. 1 is a front, top and right side perspective view of a first embodiment of a tape cartridge for a label printer showing our new design;

FIG. 2 is a front, bottom and left side perspective view thereof;

FIG. 3 is a front elevational view thereof;

FIG. 4 is a rear elevational view thereof;

FIG. 5 is a top plan view thereof;

FIG. 6 is a bottom plan view thereof;

FIG. 7 is a right side elevational view thereof;

FIG. 8 is a left side elevational view thereof;

FIG. 9 is a front, top and right side perspective view of a second embodiment of a tape cartridge for a label printer showing our new design;

FIG. 10 is a front, bottom and left side perspective view thereof;

FIG. 11 is a front elevational view thereof;

FIG. 12 is a rear elevational view thereof;

FIG. 13 is a top plan view thereof;

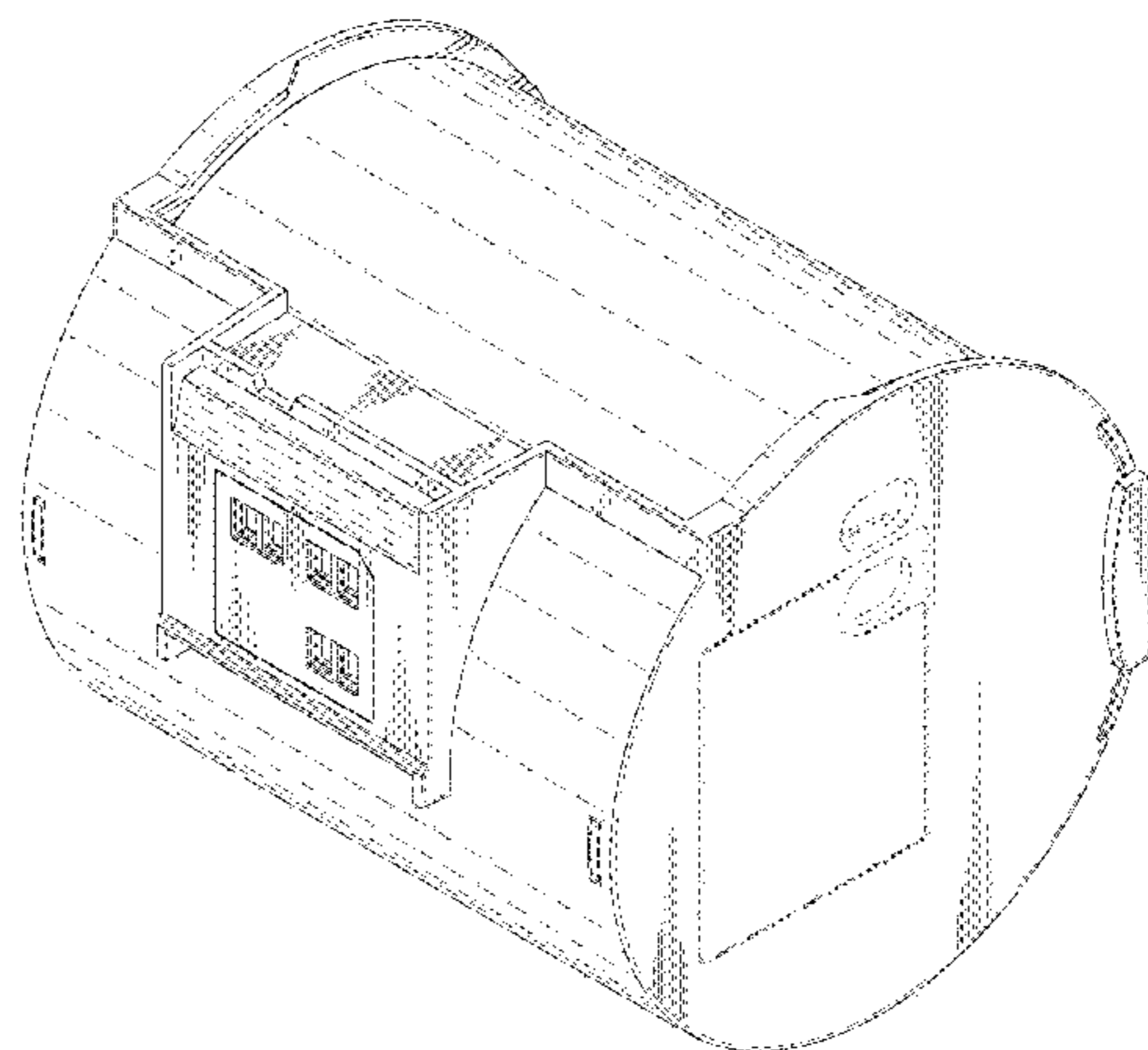
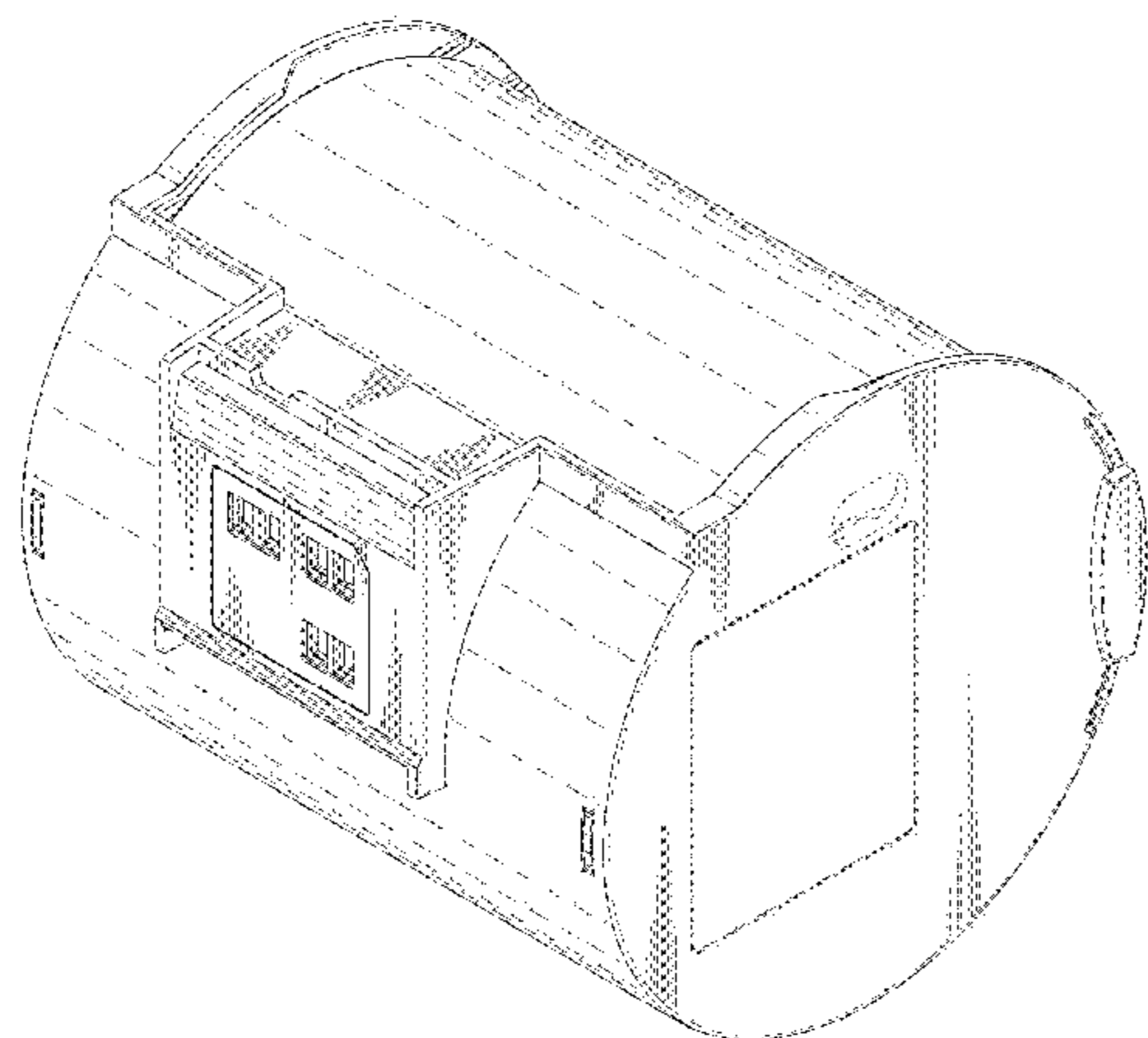
FIG. 14 is a bottom plan view thereof;

FIG. 15 is a right side elevational view thereof; and,

FIG. 16 is a left side elevational view thereof.

The features shown in broken lines in the drawings depict environmental subject matter only and form no part of the claimed design.

1 Claim, 16 Drawing Sheets



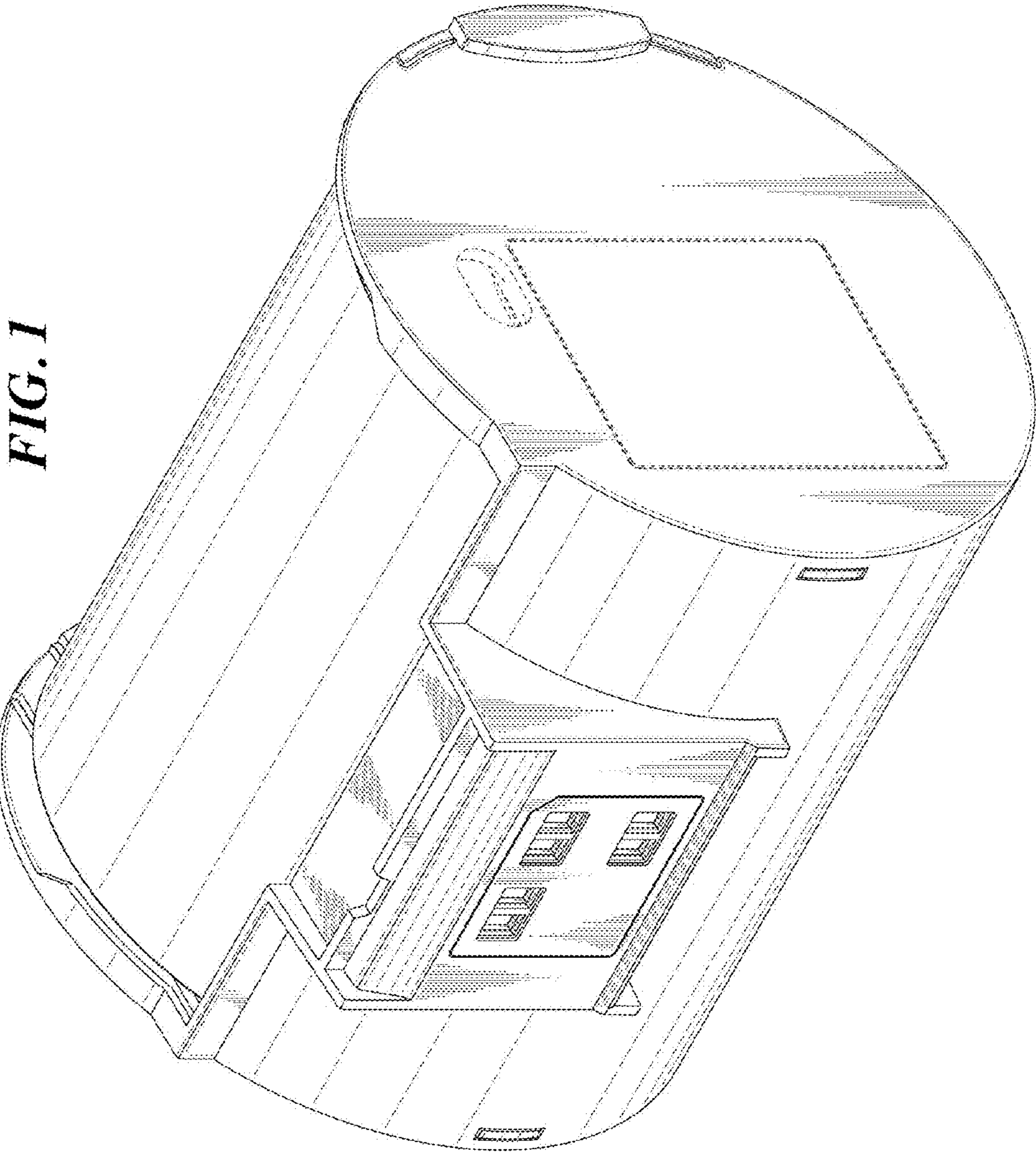


FIG. 1

FIG. 2

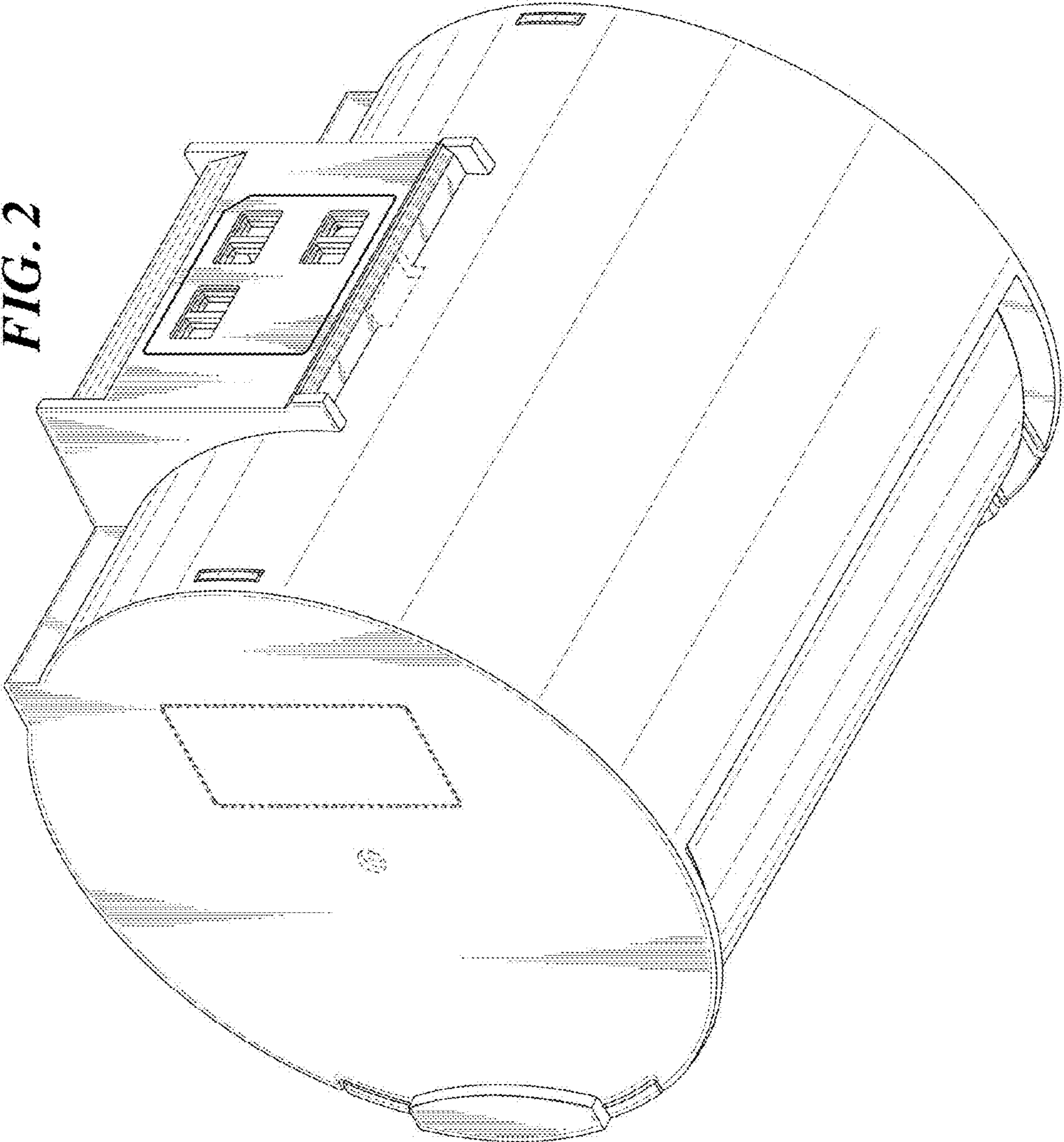


FIG. 3

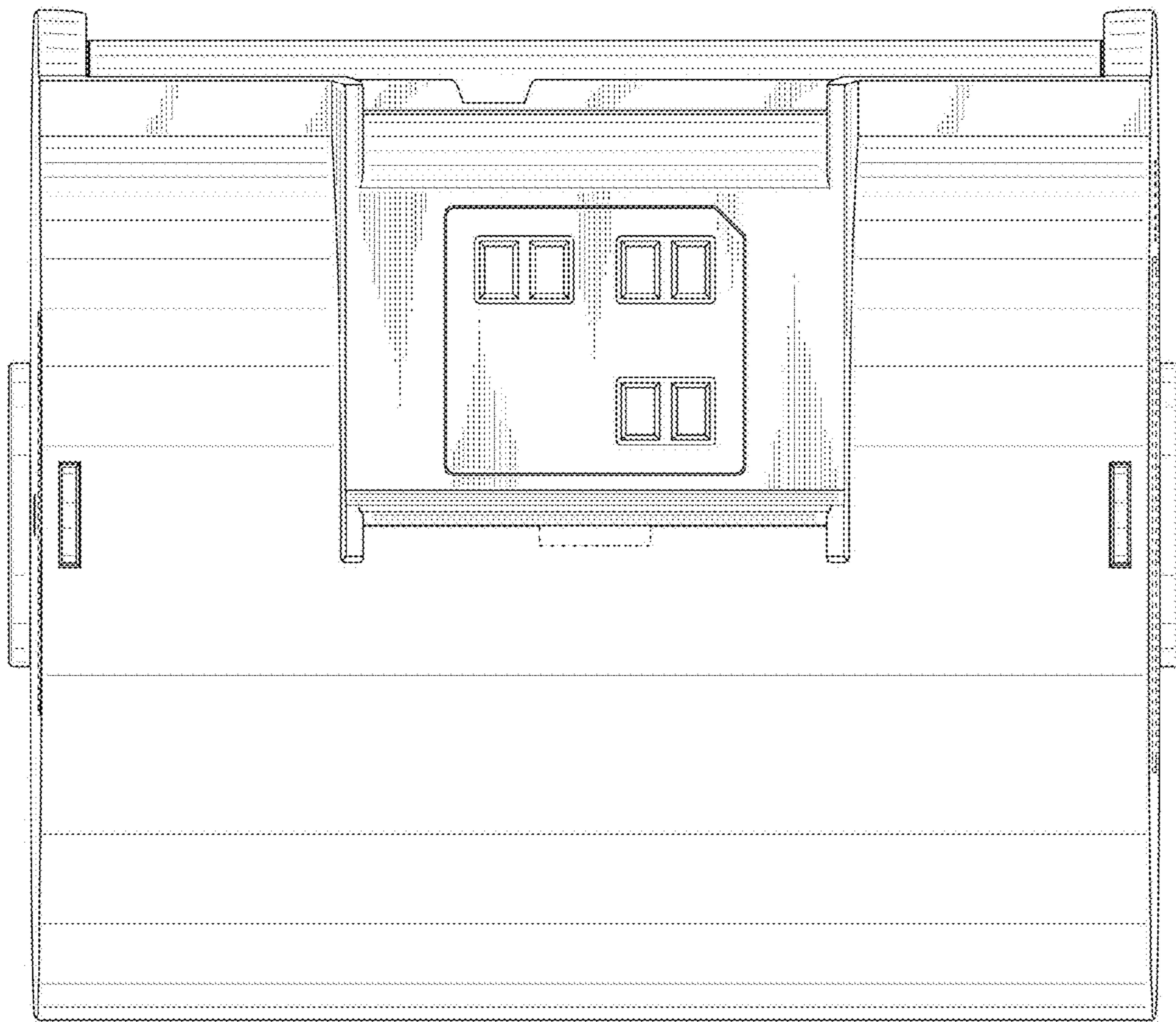


FIG. 4



FIG. 5

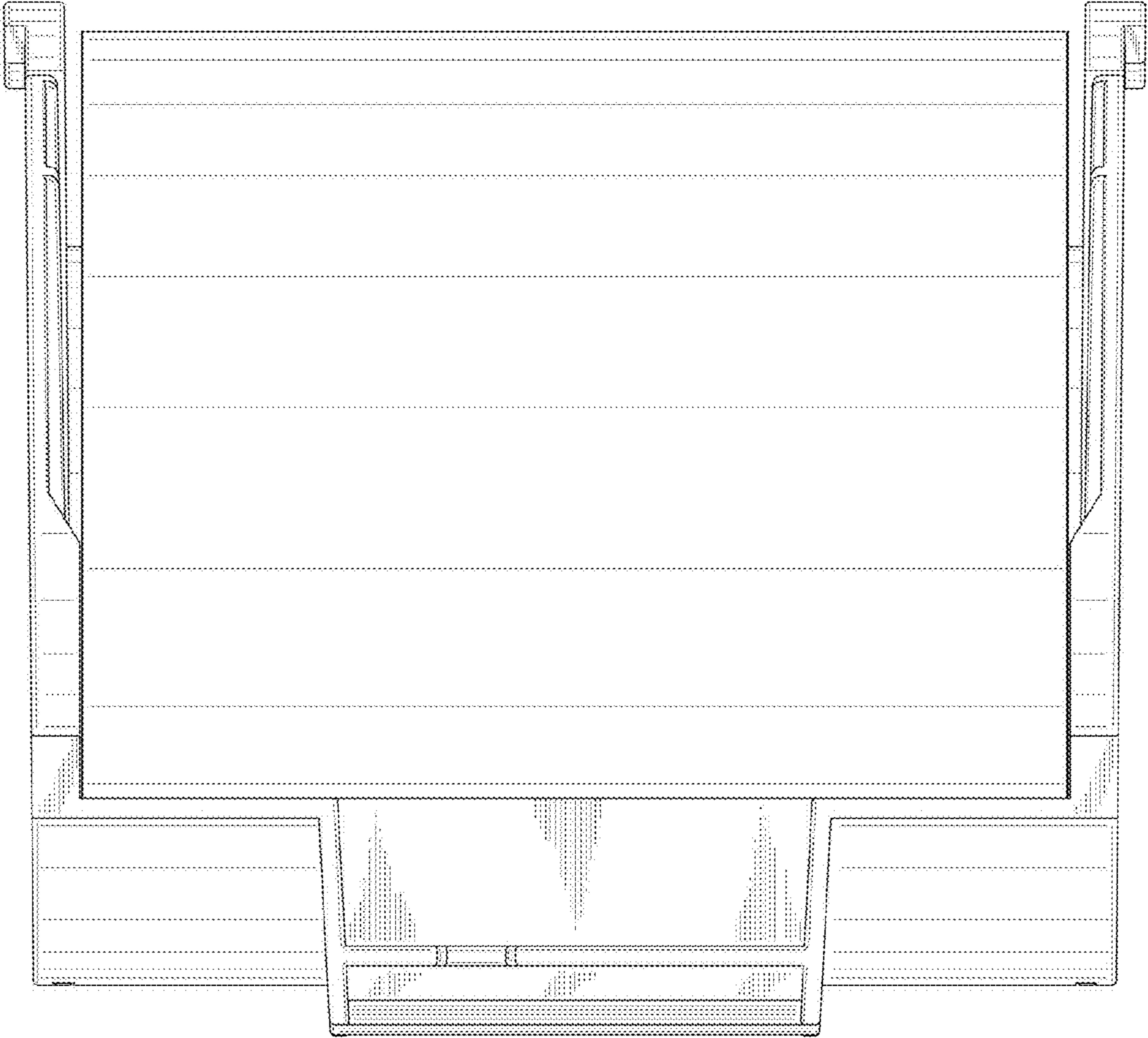


FIG. 6

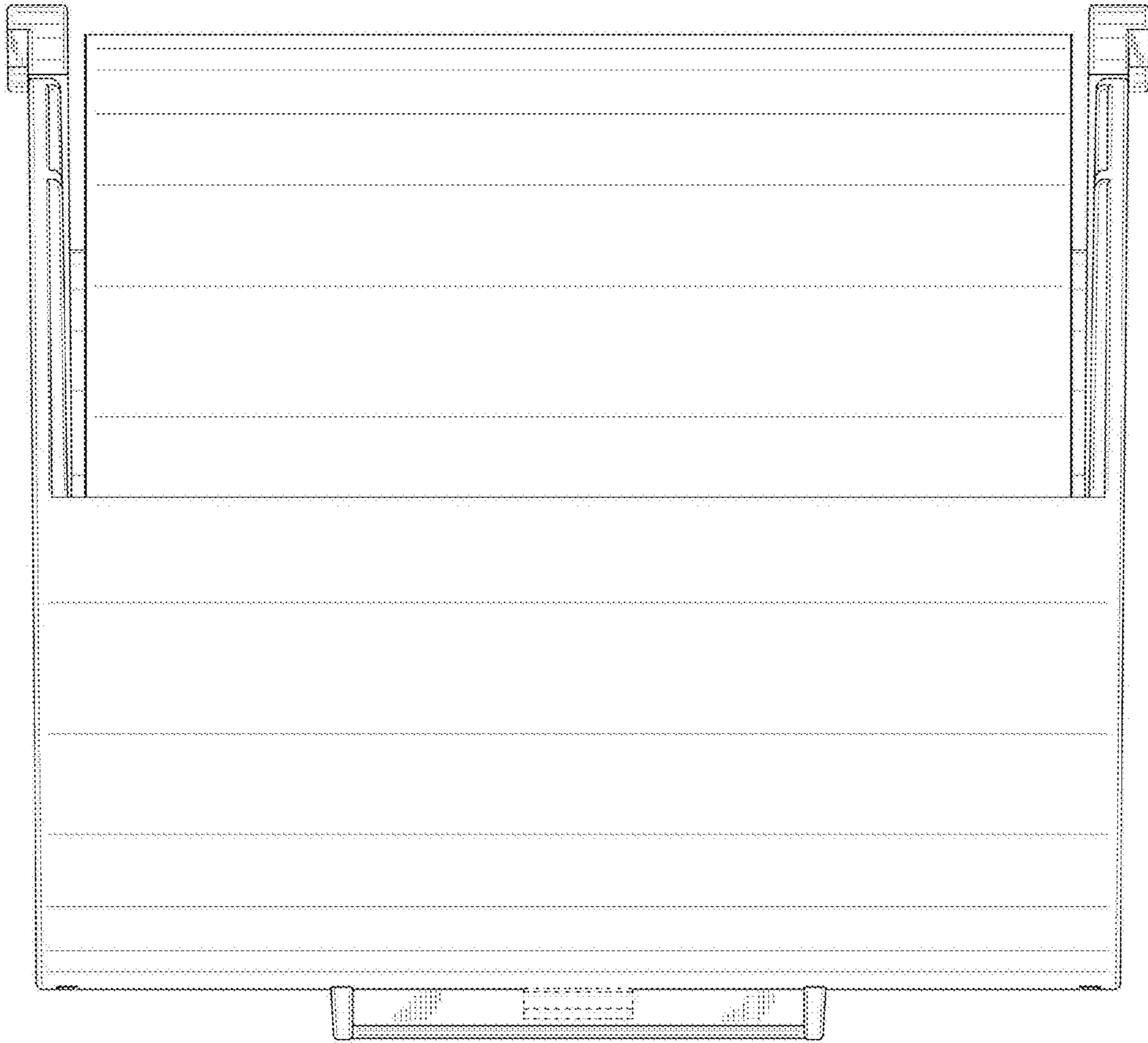


FIG. 7

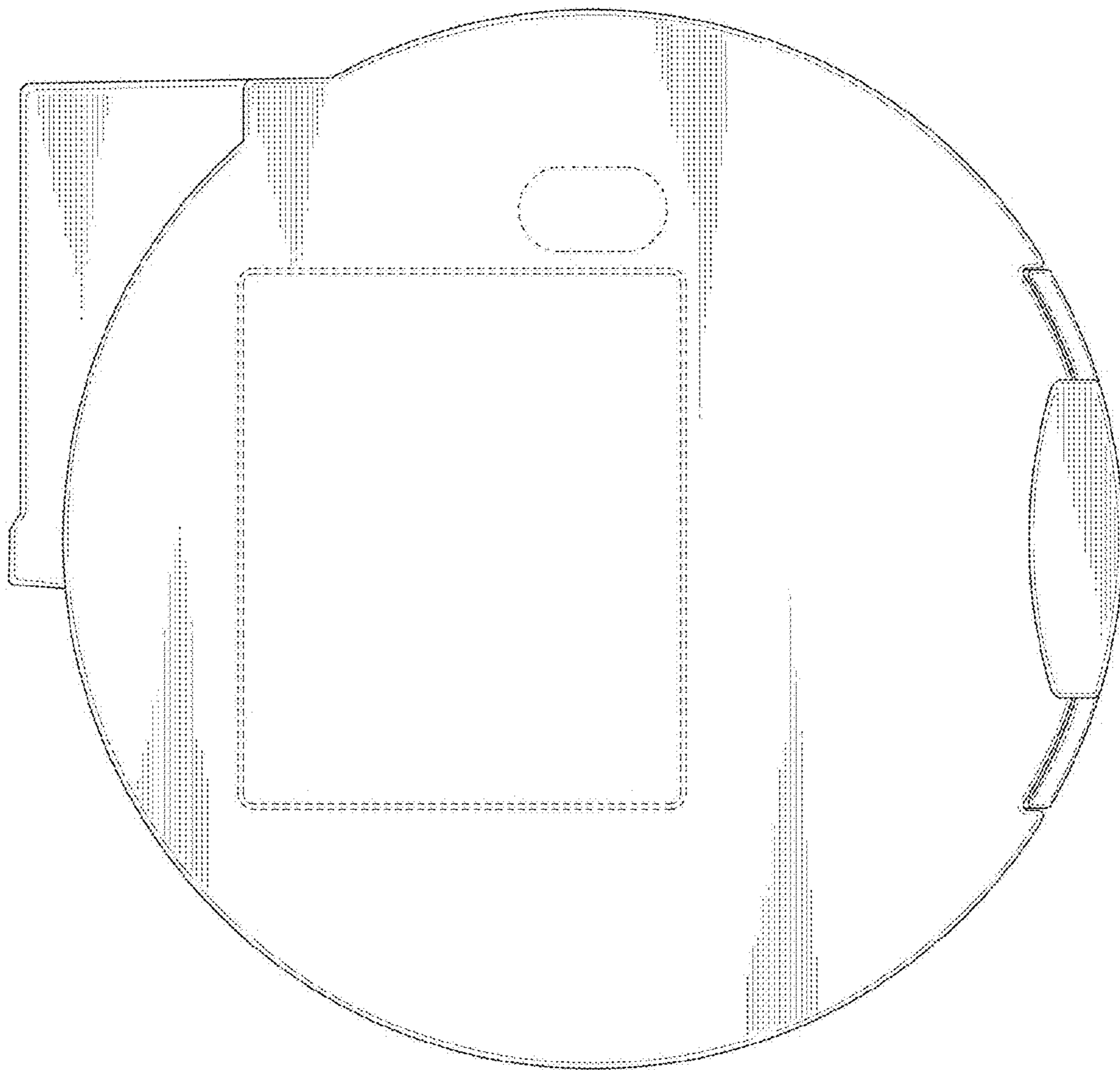


FIG. 8

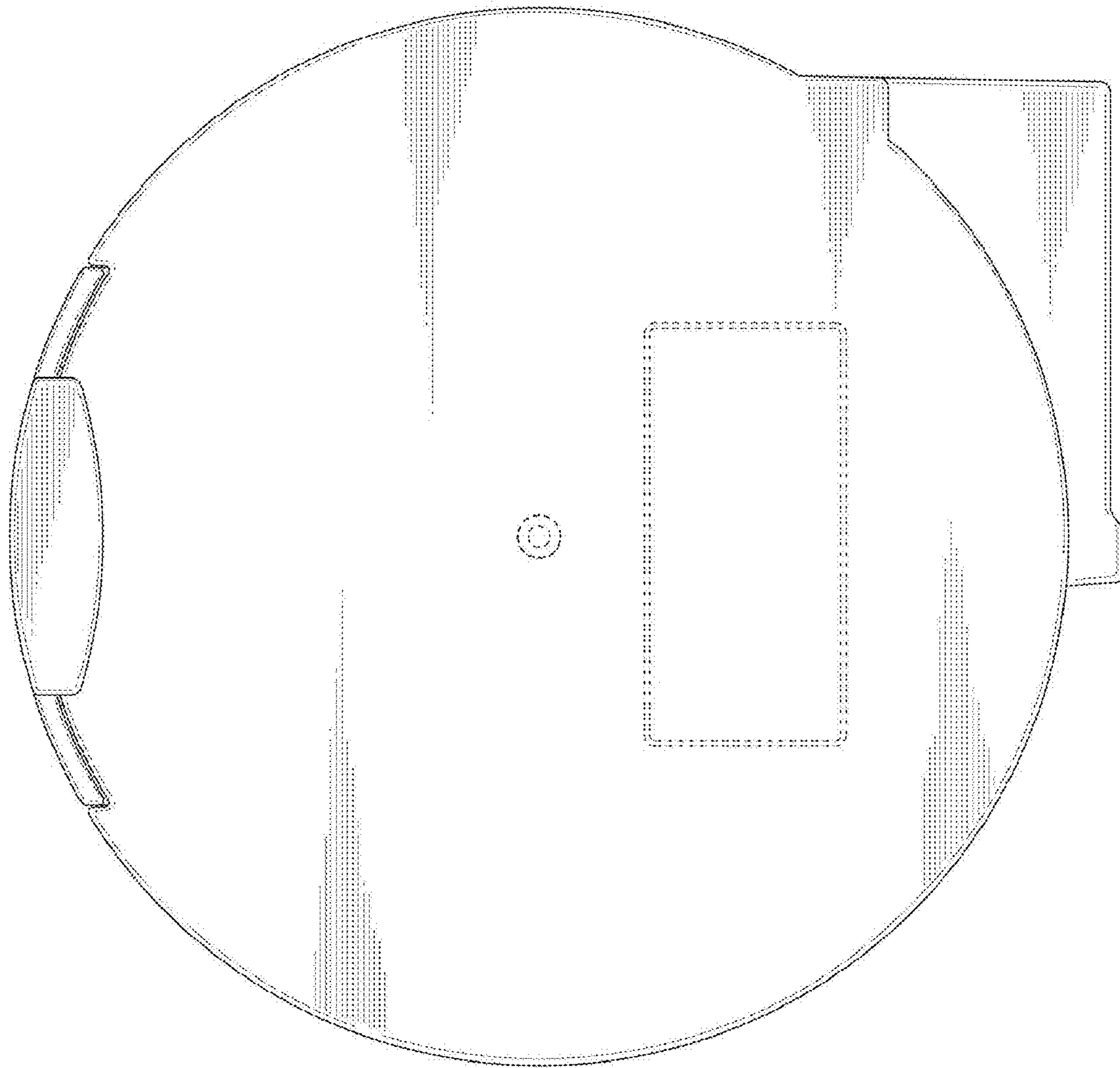


FIG. 9

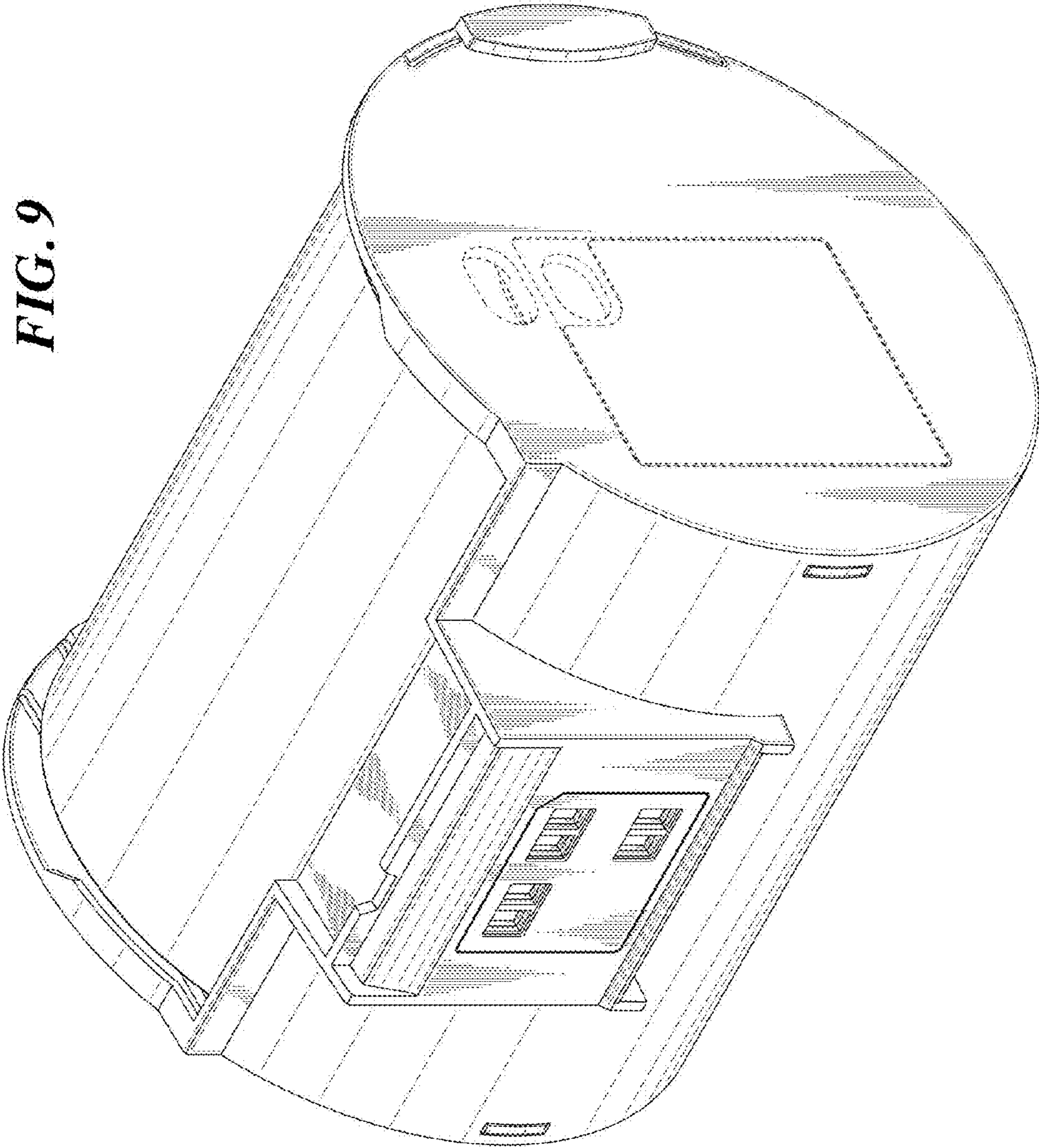


FIG. 10

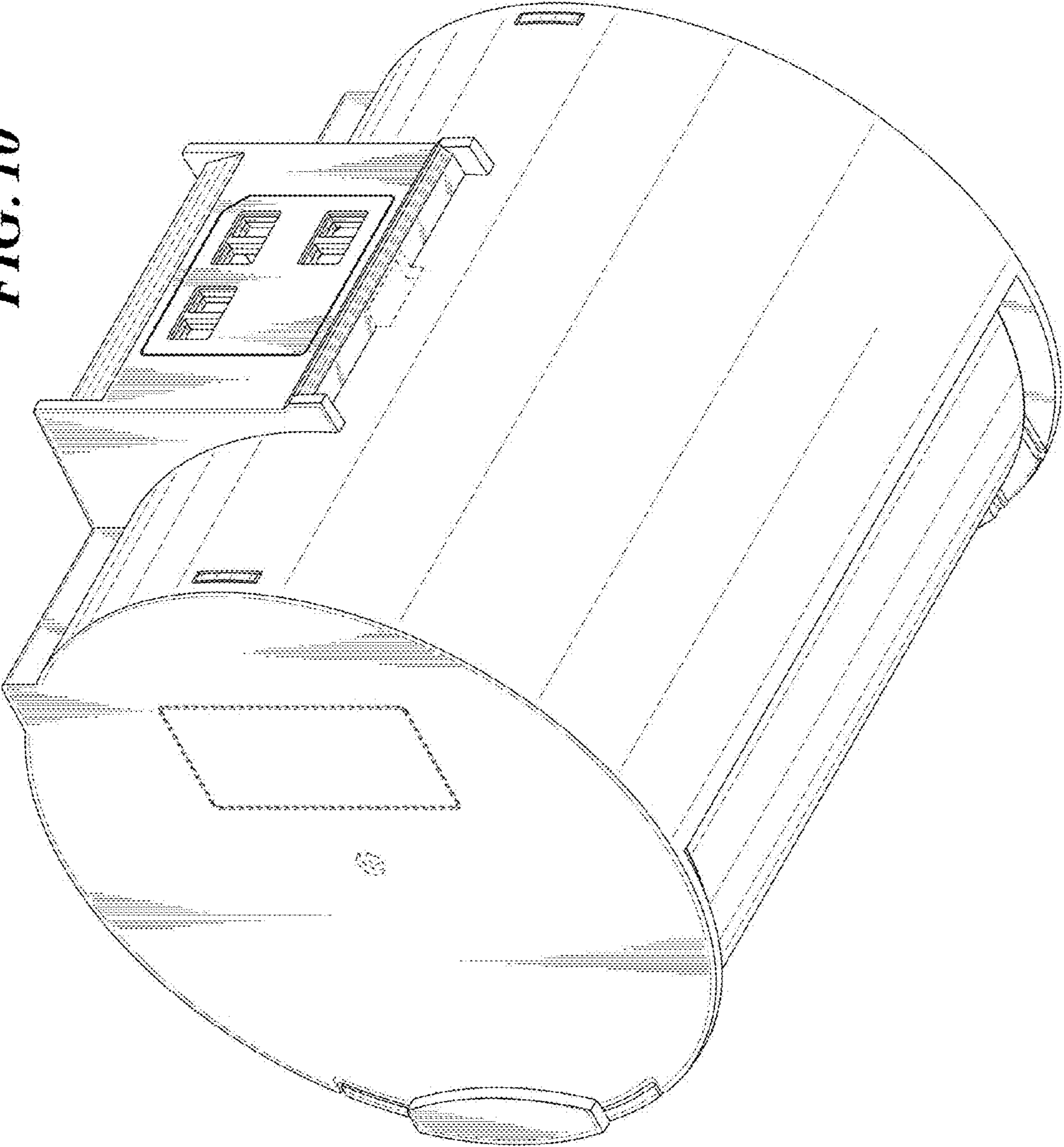


FIG. 11

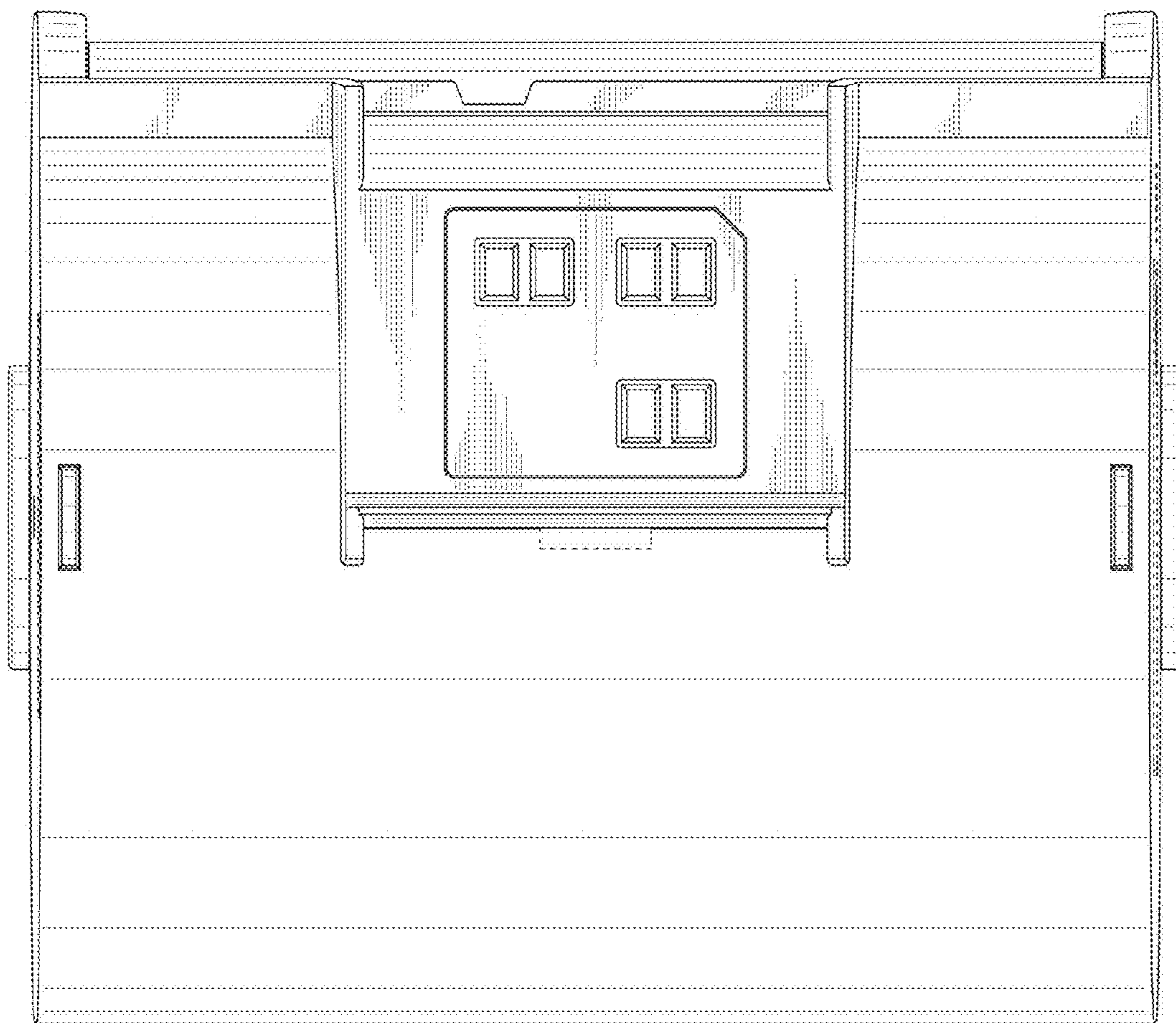


FIG. 12

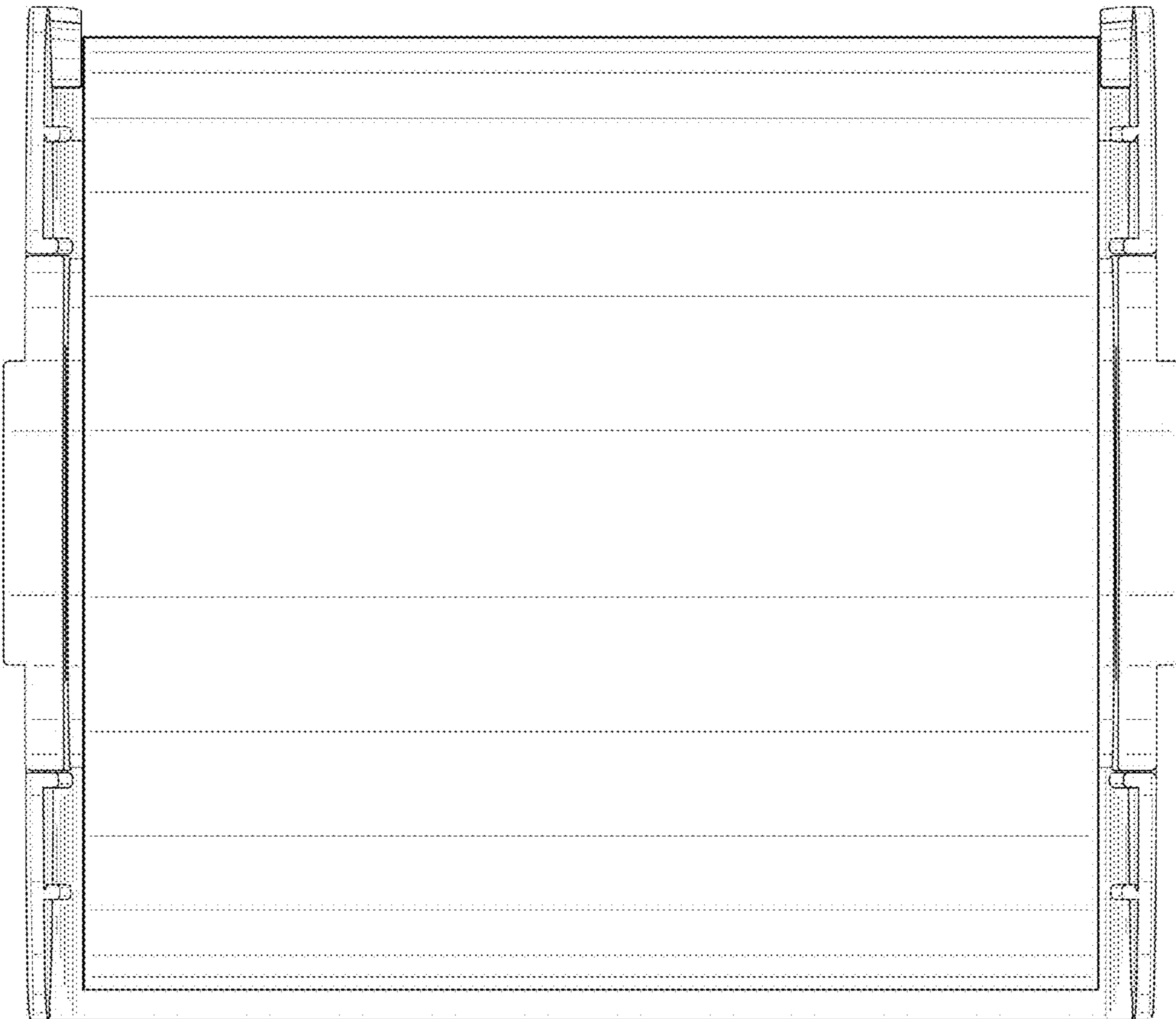


FIG. 13

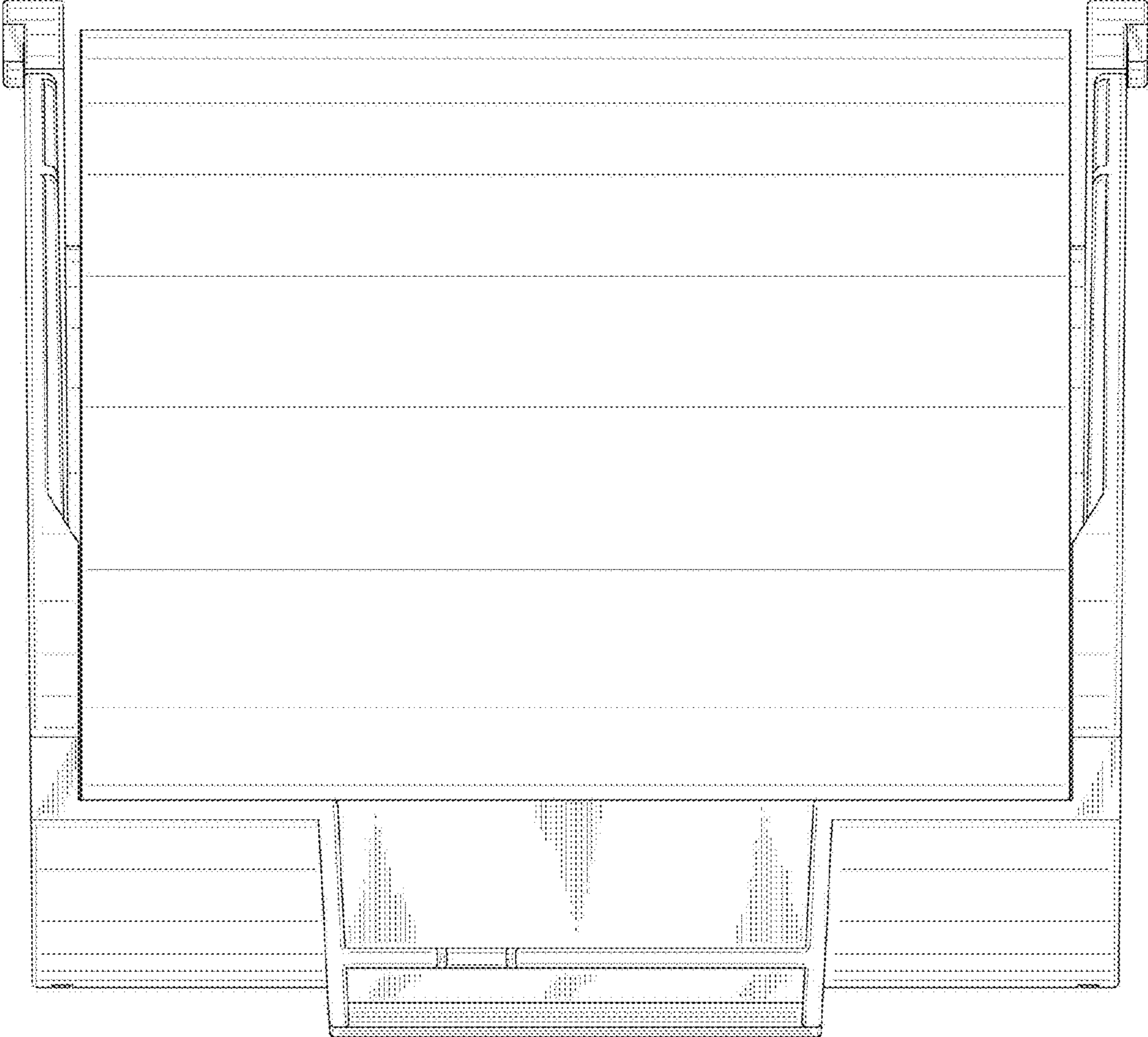


FIG. 14

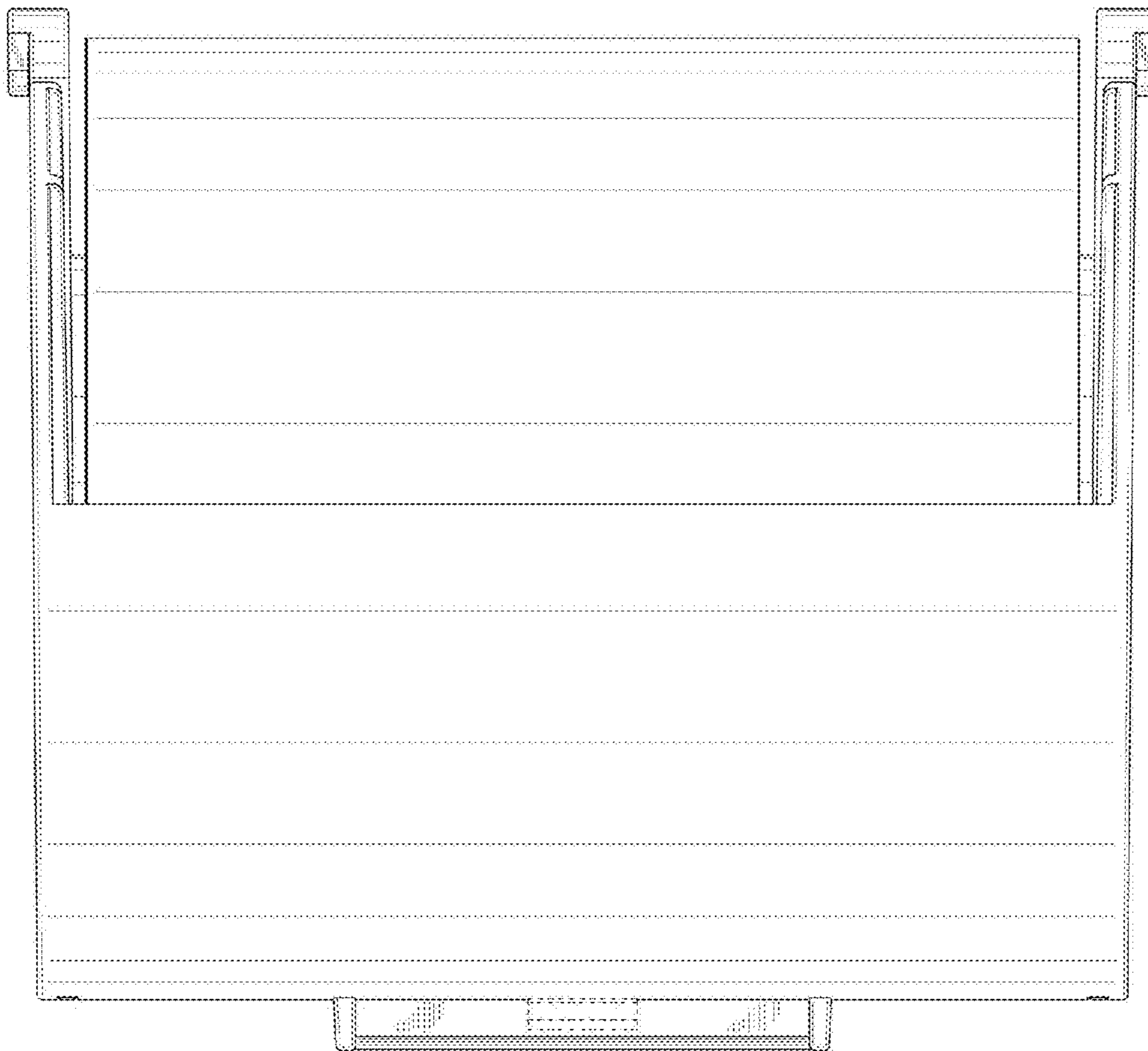


FIG. 15

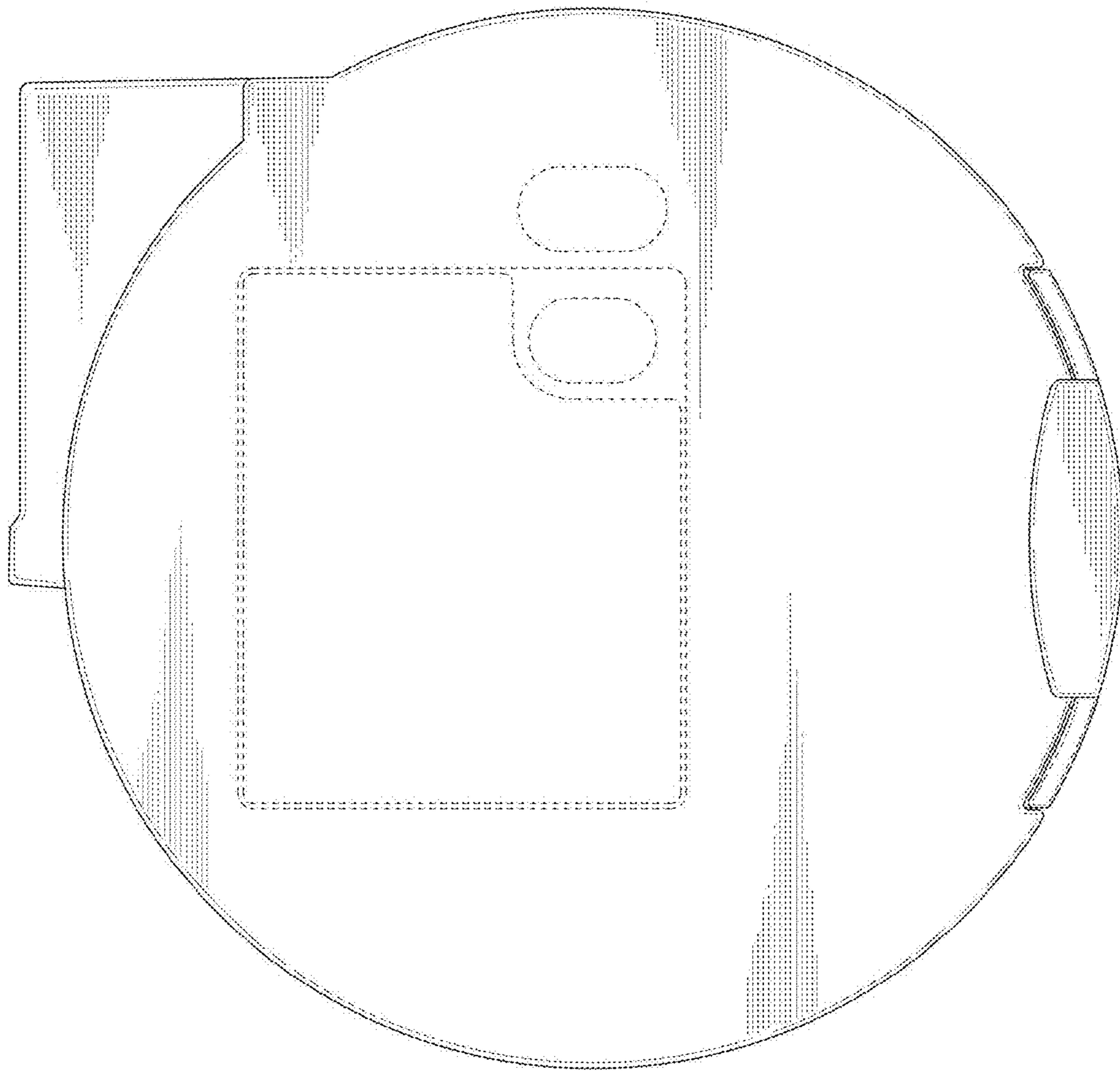


FIG. 16

