

US00D675254S

(12) **United States Design Patent**  
**Kubota et al.**

(10) **Patent No.:** **US D675,254 S**  
(45) **Date of Patent:** **\*\* Jan. 29, 2013**

(54) **TAPE CARTRIDGE FOR A LABEL PRINTER**

(75) Inventors: **Tomoyuki Kubota**, Matsumoto (JP);  
**Shinsaku Kosuge**, Matsumoto (JP);  
**Hideki Sakano**, Matsumoto (JP);  
**Hiroaki Tanaka**, Tama (JP)

(73) Assignee: **Seiko Epson Corporation**, Tokyo (JP)

(\*\*) Term: **14 Years**

(21) Appl. No.: **29/413,853**

(22) Filed: **Feb. 22, 2012**

(30) **Foreign Application Priority Data**

Dec. 21, 2011 (JP) ..... 2011-029626  
Dec. 21, 2011 (JP) ..... 2011-029627

(51) **LOC (9) Cl.** ..... **18-02**

(52) **U.S. Cl.** ..... **D18/56**

(58) **Field of Classification Search** ..... D18/12,  
D18/40, 43, 56; 347/86, 214; 400/196, 196.1,  
400/207-208, 208.1, 242

See application file for complete search history.

(56) **References Cited**

**U.S. PATENT DOCUMENTS**

5,269,612 A \* 12/1993 Shimoha et al. .... 400/207  
5,599,115 A \* 2/1997 Radcliffe et al. .... 400/207  
D466,150 S \* 11/2002 Matsumoto et al. .... D18/56  
6,520,631 B1 \* 2/2003 Silverbrook et al. .... 347/86  
6,565,181 B2 \* 5/2003 Silverbrook ..... 347/86  
D525,297 S \* 7/2006 Okuchi et al. .... D18/56  
7,270,493 B2 \* 9/2007 Unotoro ..... 400/582  
D579,942 S \* 11/2008 Terry et al. .... D18/56  
D582,473 S \* 12/2008 Park et al. .... D18/56  
D586,388 S \* 2/2009 Pomfret ..... D18/56  
D610,607 S \* 2/2010 Kachi et al. .... D18/56  
7,959,272 B2 \* 6/2011 Silverbrook et al. .... 347/86

**FOREIGN PATENT DOCUMENTS**

AU 147478 S 4/2002  
AU 318031 S 2/2008  
EM 000127071-0004 S 5/2004  
EM 000729967-0001 S 3/2007

JP 1392805 S 7/2010  
JP 1410056 S 3/2011  
WO DM/047317 S 6/1999

**OTHER PUBLICATIONS**

Office Action dated Apr. 18, 2012 for corresponding Russian Design Application No. 2011504132.

\* cited by examiner

*Primary Examiner* — Cathy A MacCormac

(57) **CLAIM**

The ornamental design for a tape cartridge for a label printer, as shown and described.

**DESCRIPTION**

FIG. 1 is a front, top and right side perspective view of a first embodiment of a tape cartridge for a label printer showing our new design;

FIG. 2 is a front, bottom and left side perspective view thereof;

FIG. 3 is a front elevational view thereof;

FIG. 4 is a rear elevational view thereof;

FIG. 5 is a top plan view thereof;

FIG. 6 is a bottom plan view thereof;

FIG. 7 is a right side elevational view thereof;

FIG. 8 is a left side elevational view thereof;

FIG. 9 is a front, top and right side perspective view of a second embodiment of a tape cartridge for a label printer showing our new design;

FIG. 10 is a front, bottom and left side perspective view thereof;

FIG. 11 is a front elevational view thereof;

FIG. 12 is a rear elevational view thereof;

FIG. 13, is a top plan view thereof;

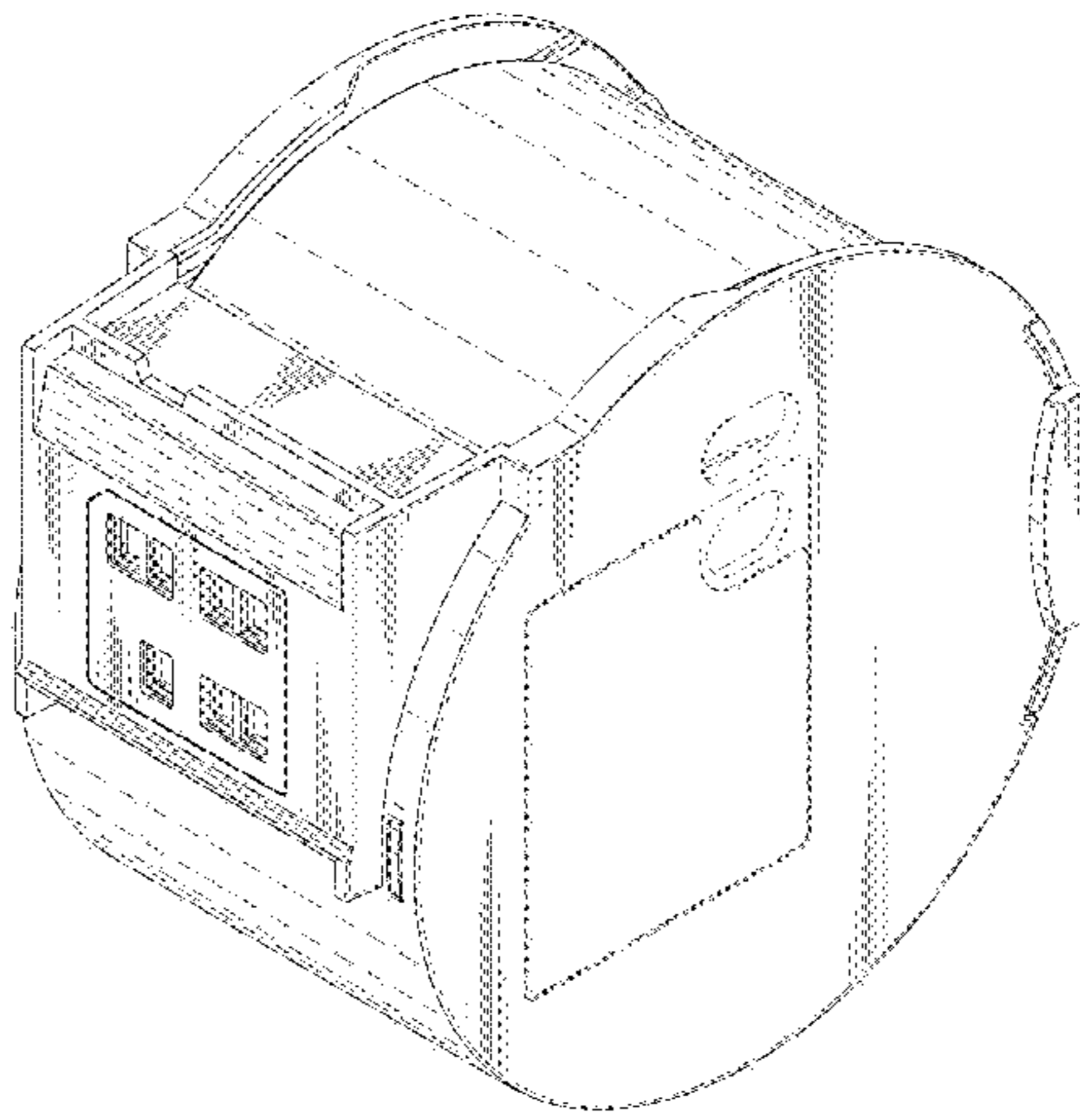
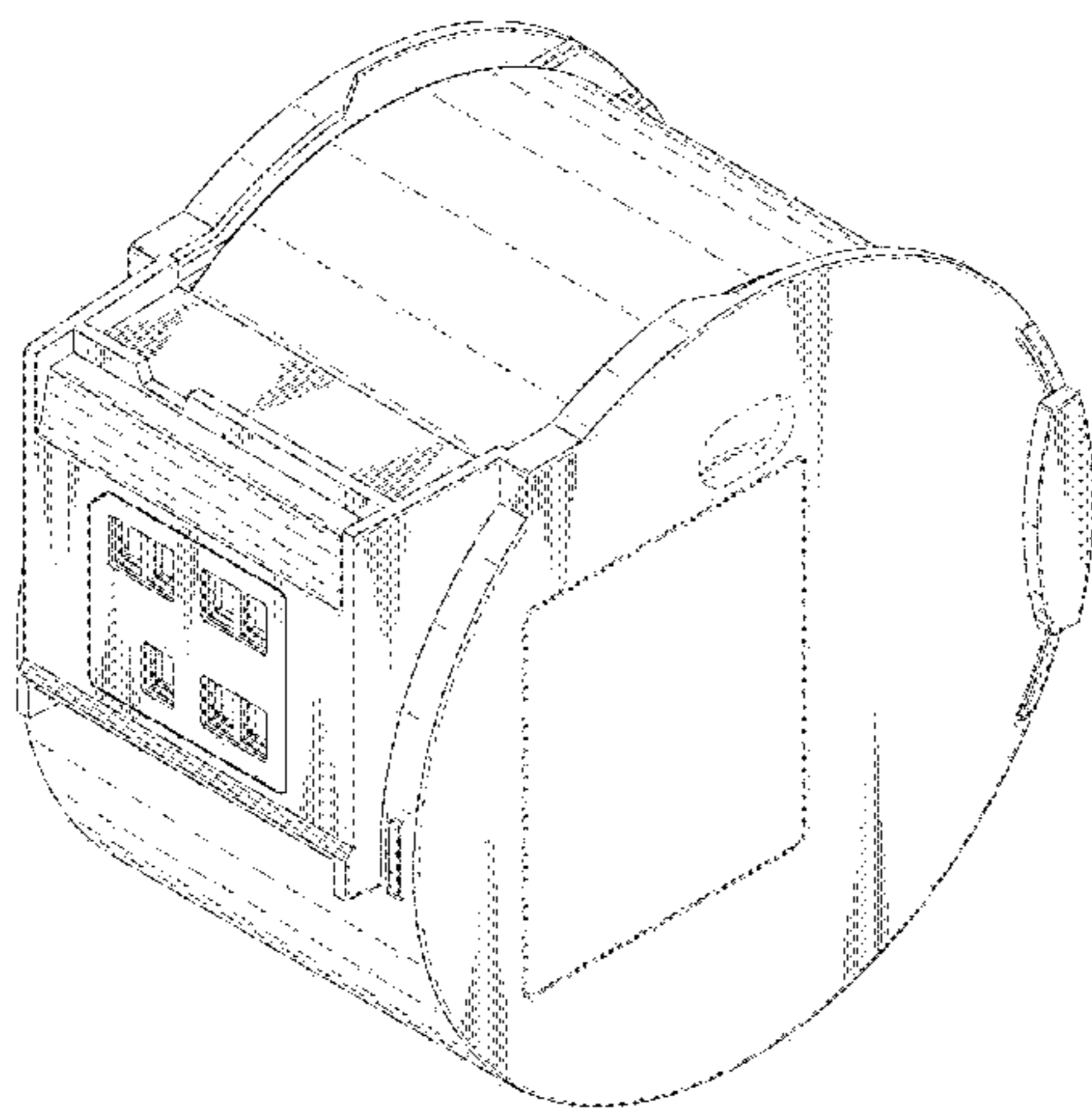
FIG. 14 is a bottom plan view thereof;

FIG. 15 is a right side elevational view thereof; and,

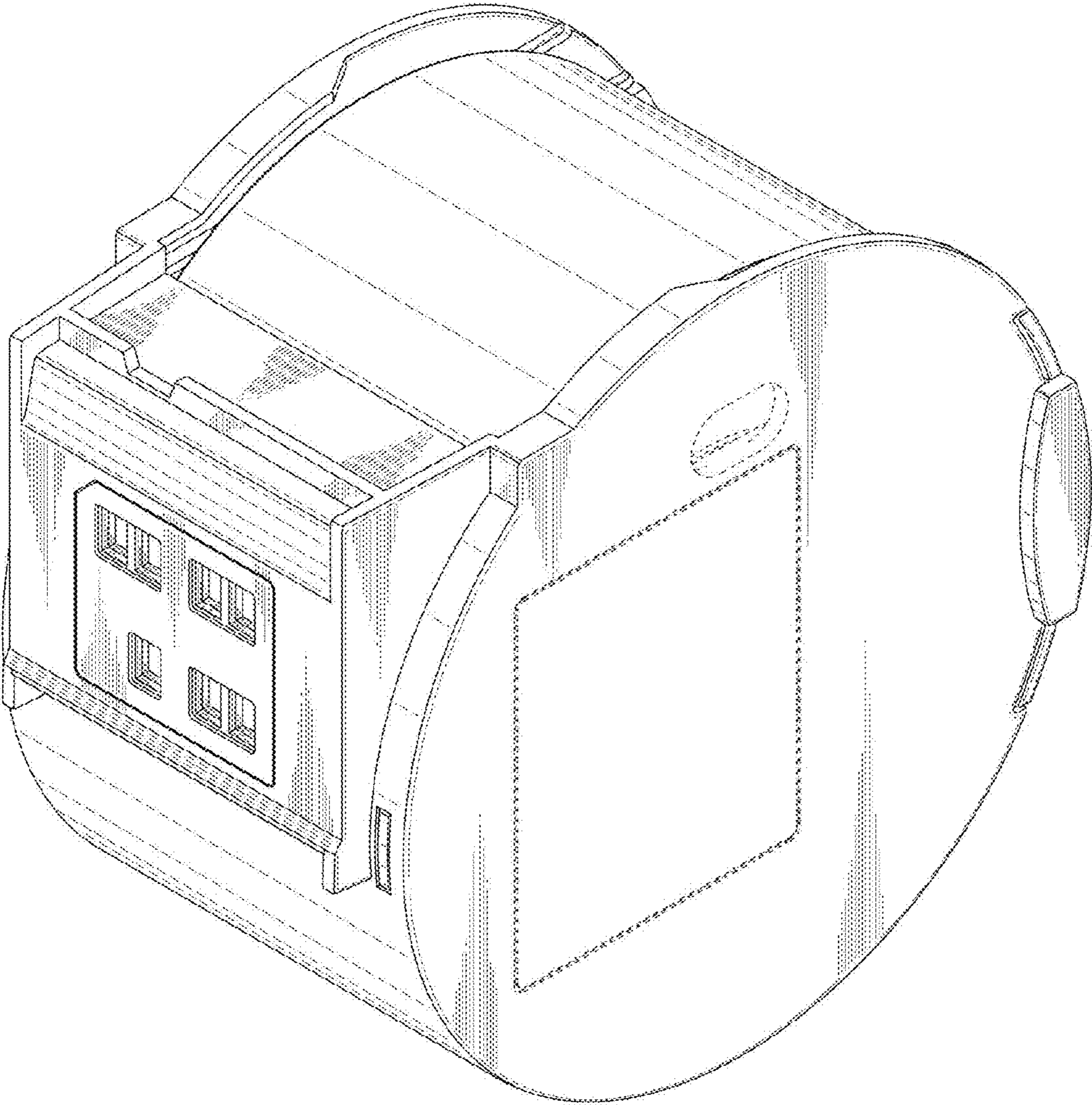
FIG. 16 is a left side elevational view thereof.

The features shown in broken lines in the drawings depict environmental subject matter only and form no part of the claimed design.

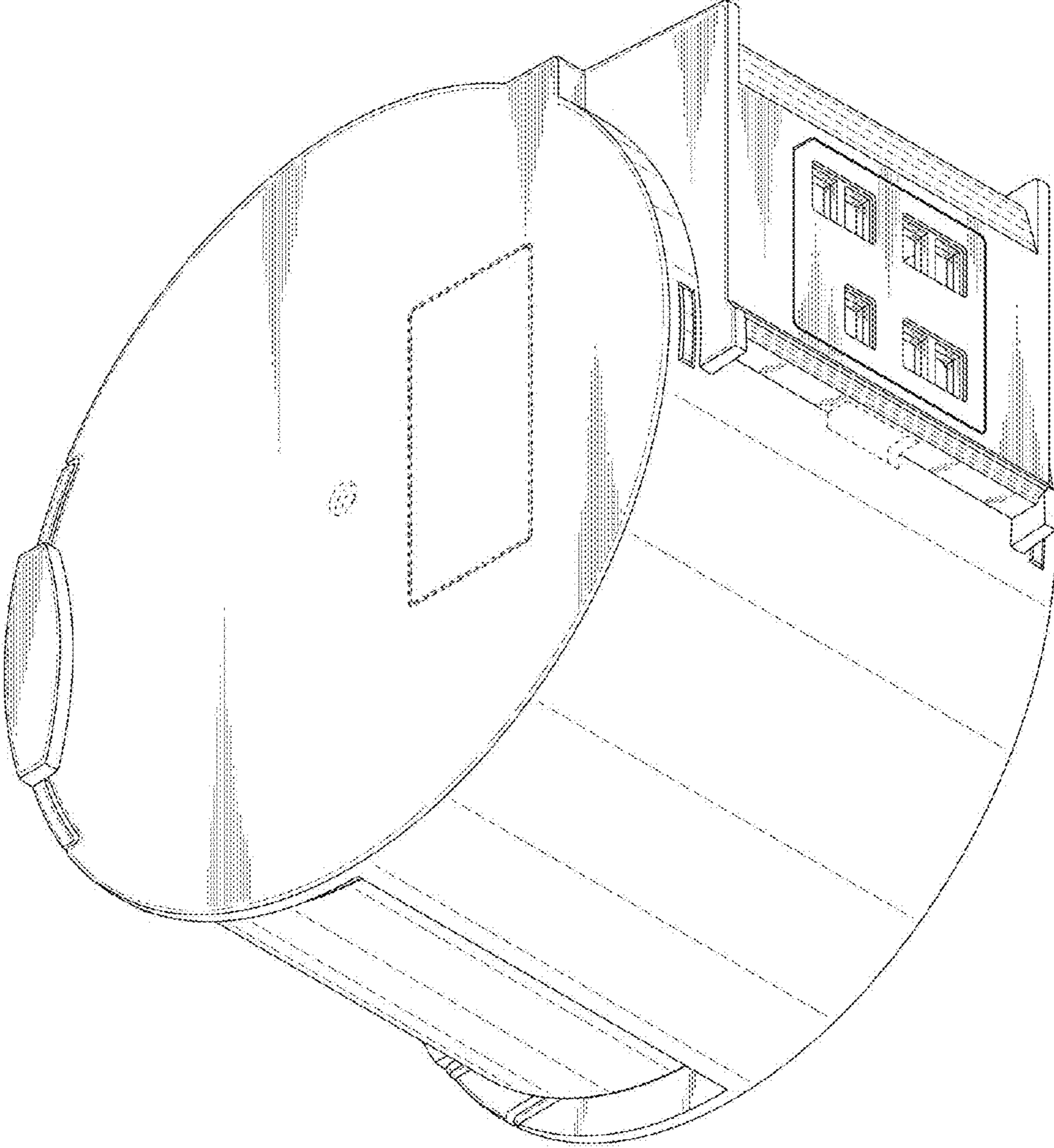
**1 Claim, 16 Drawing Sheets**



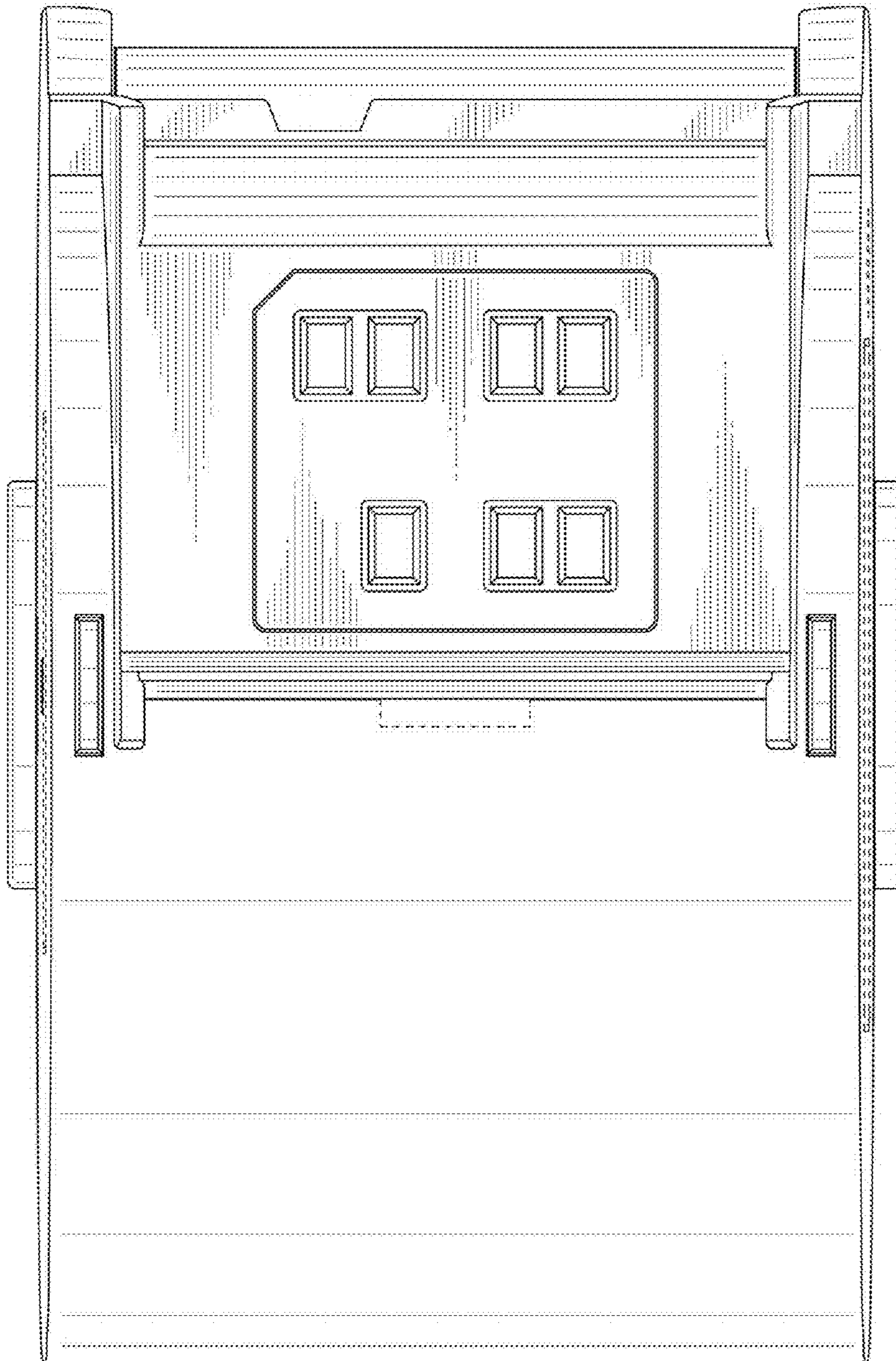
*FIG. 1*



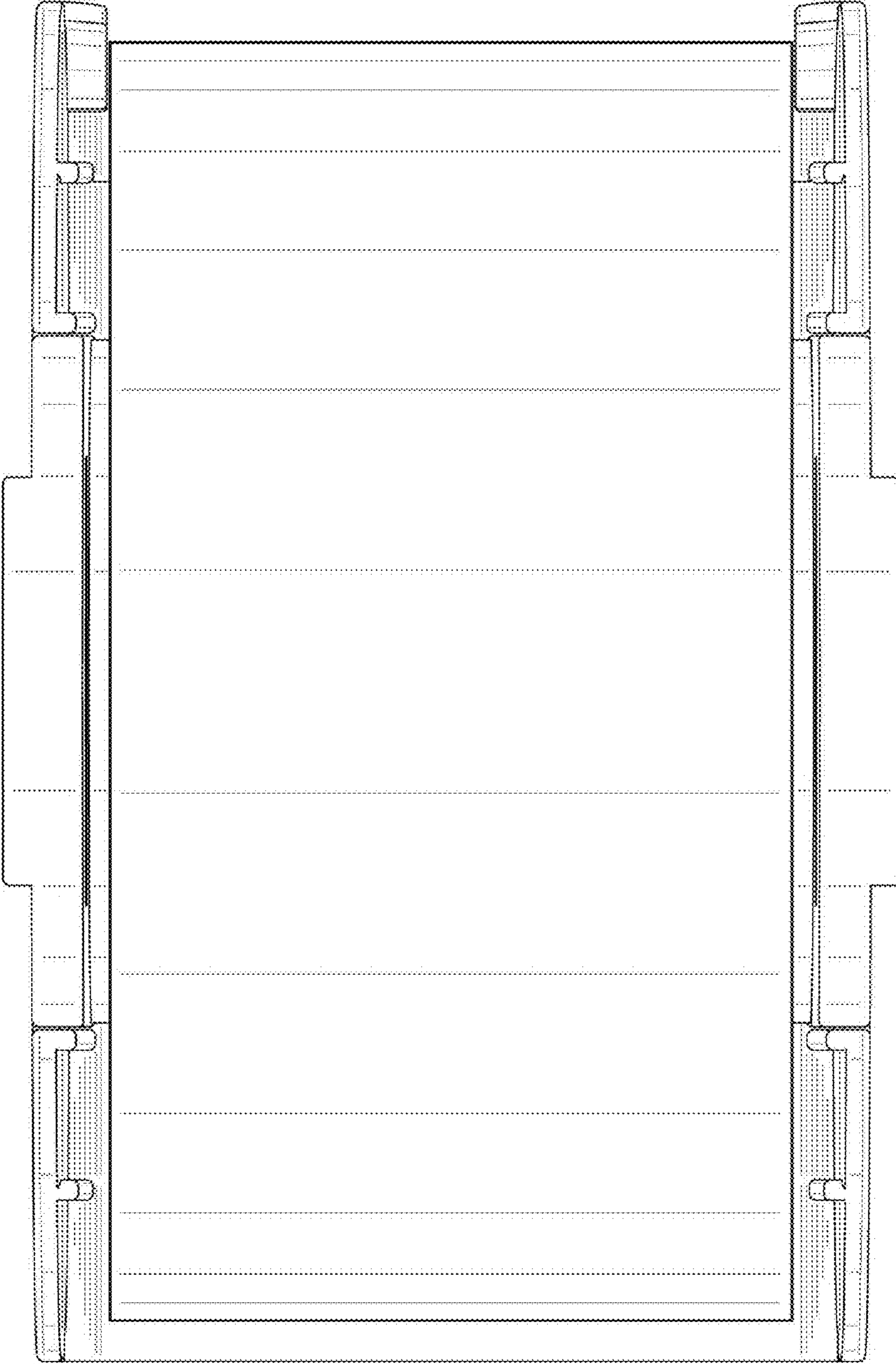
**FIG. 2**



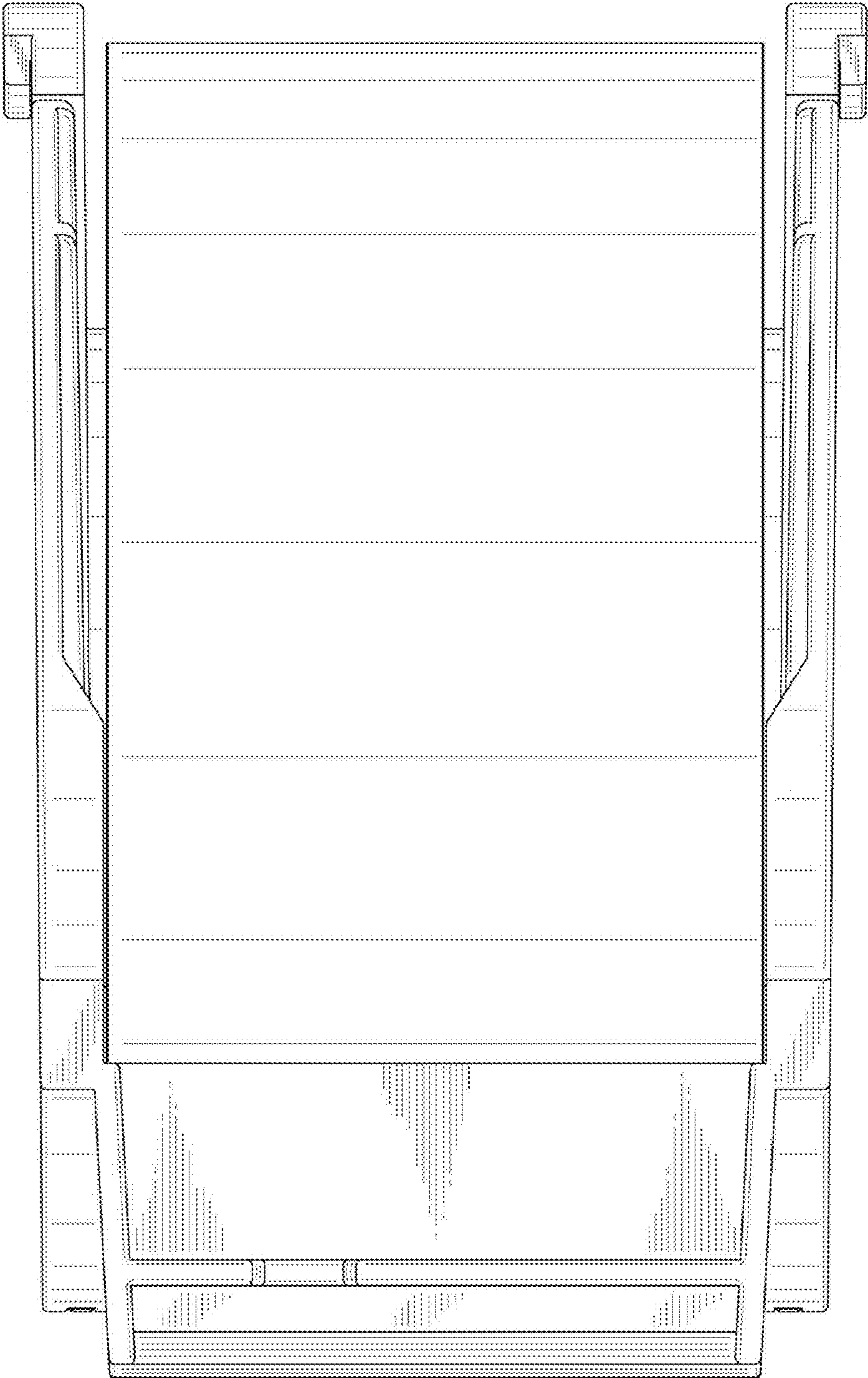
**FIG. 3**



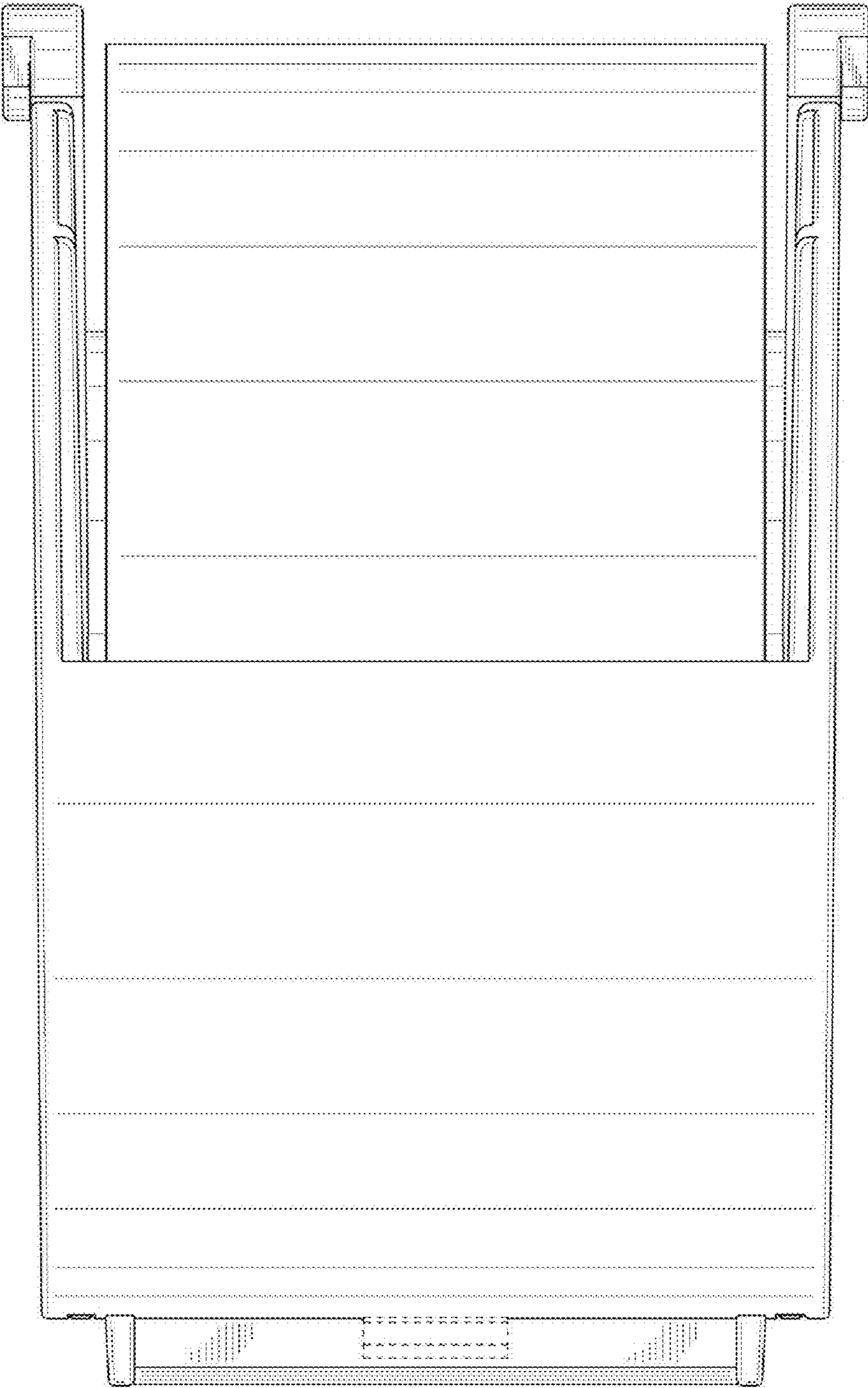
**FIG. 4**



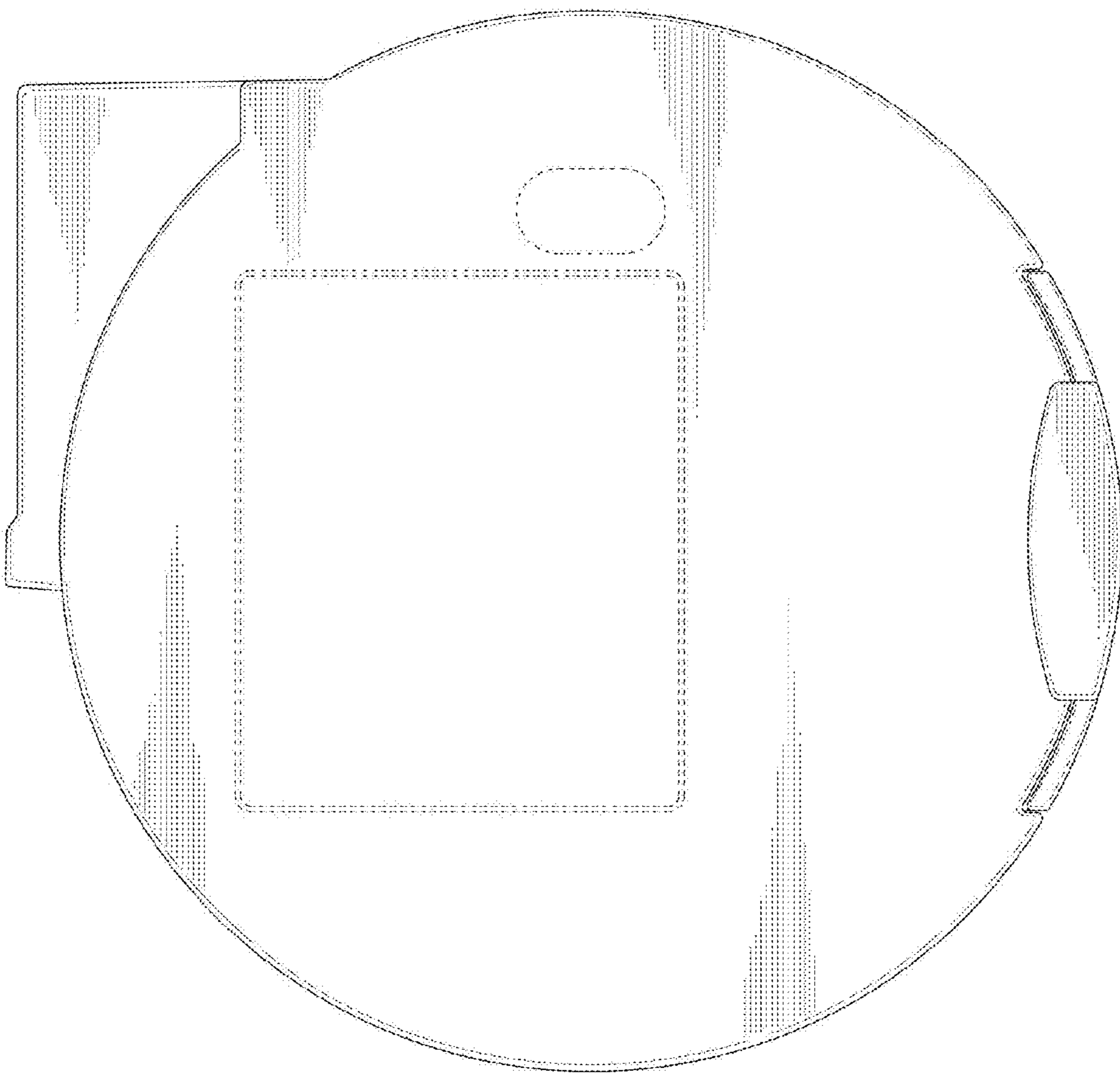
*FIG. 5*



**FIG. 6**

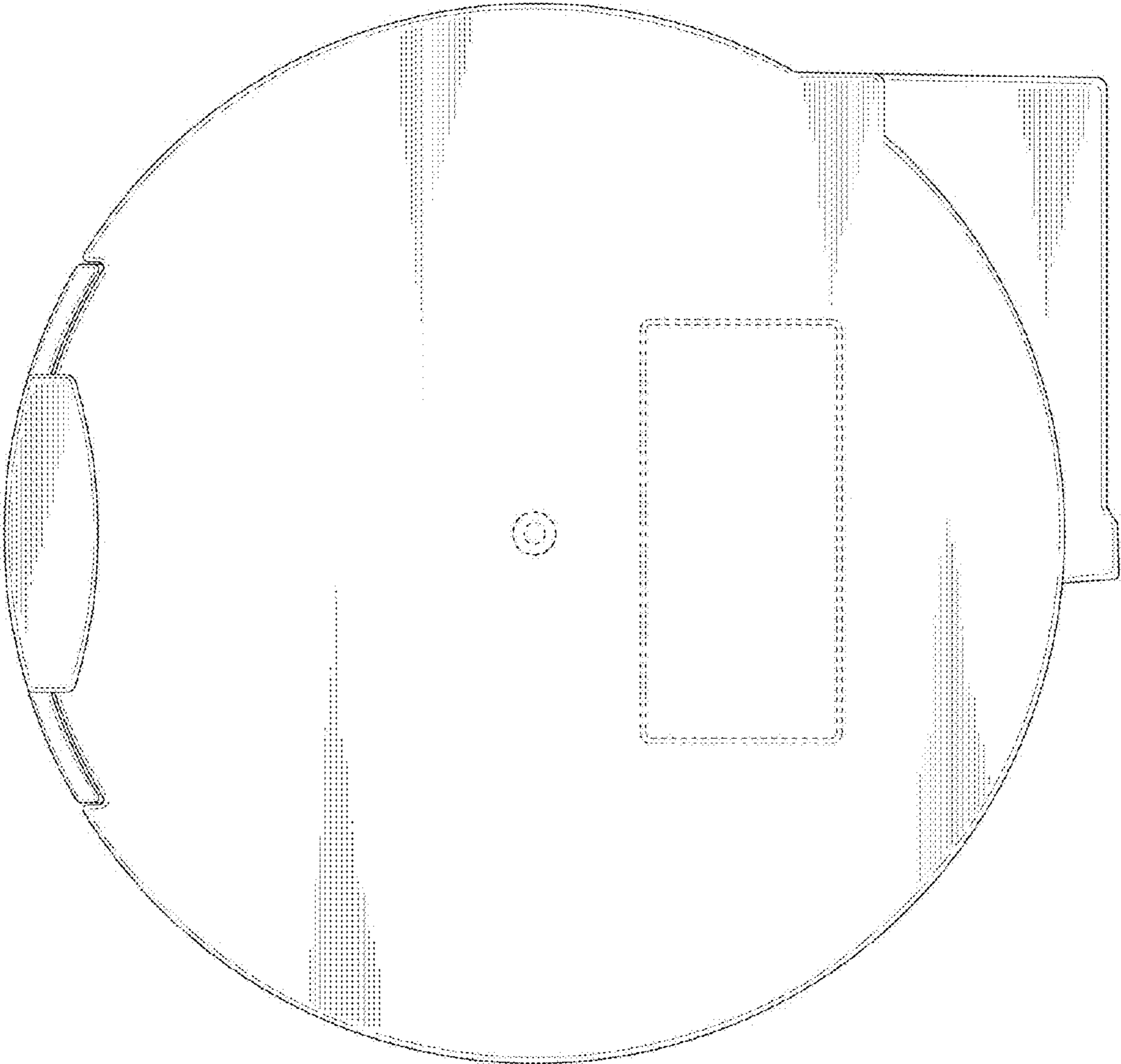


**FIG. 7**

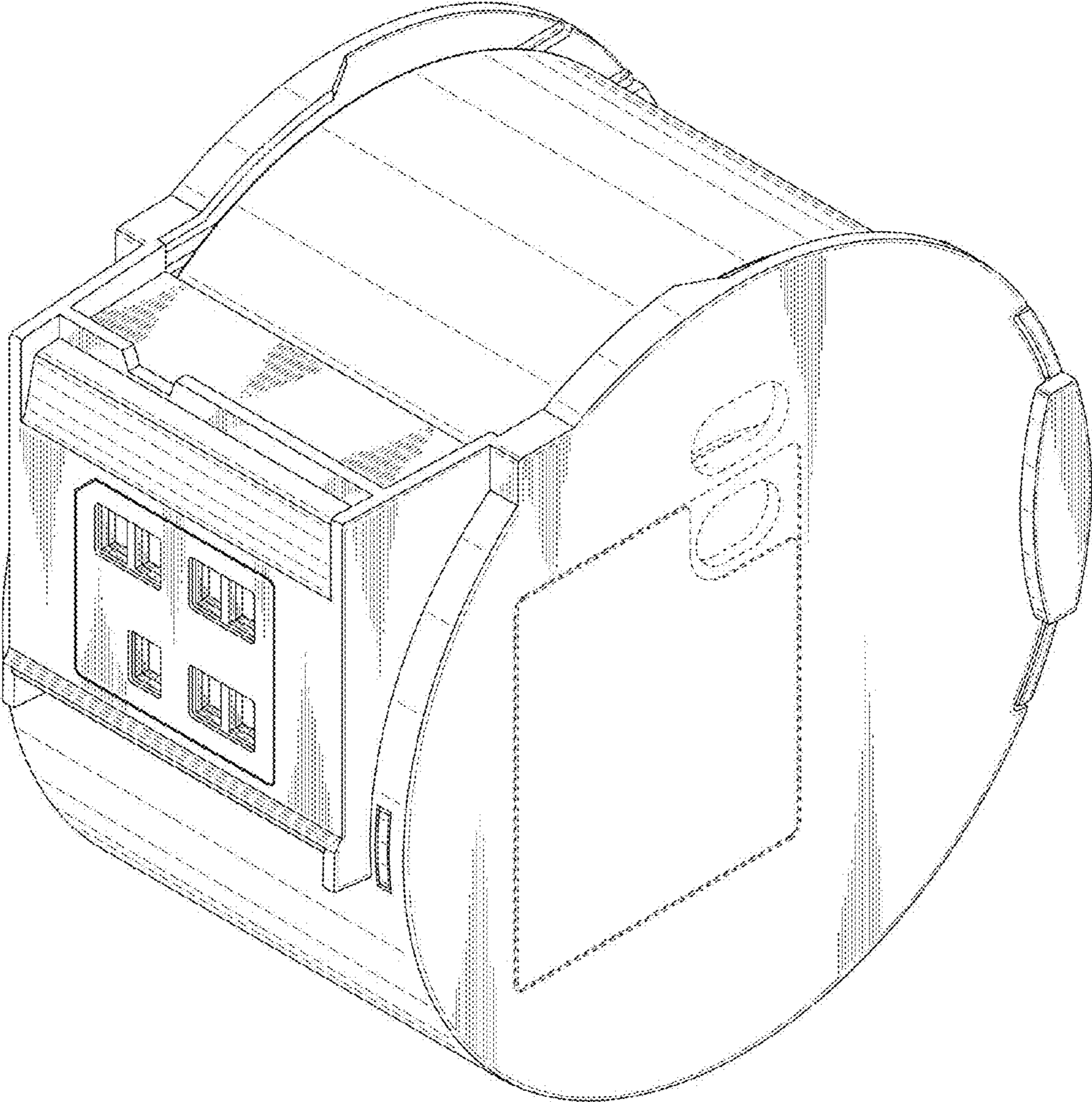




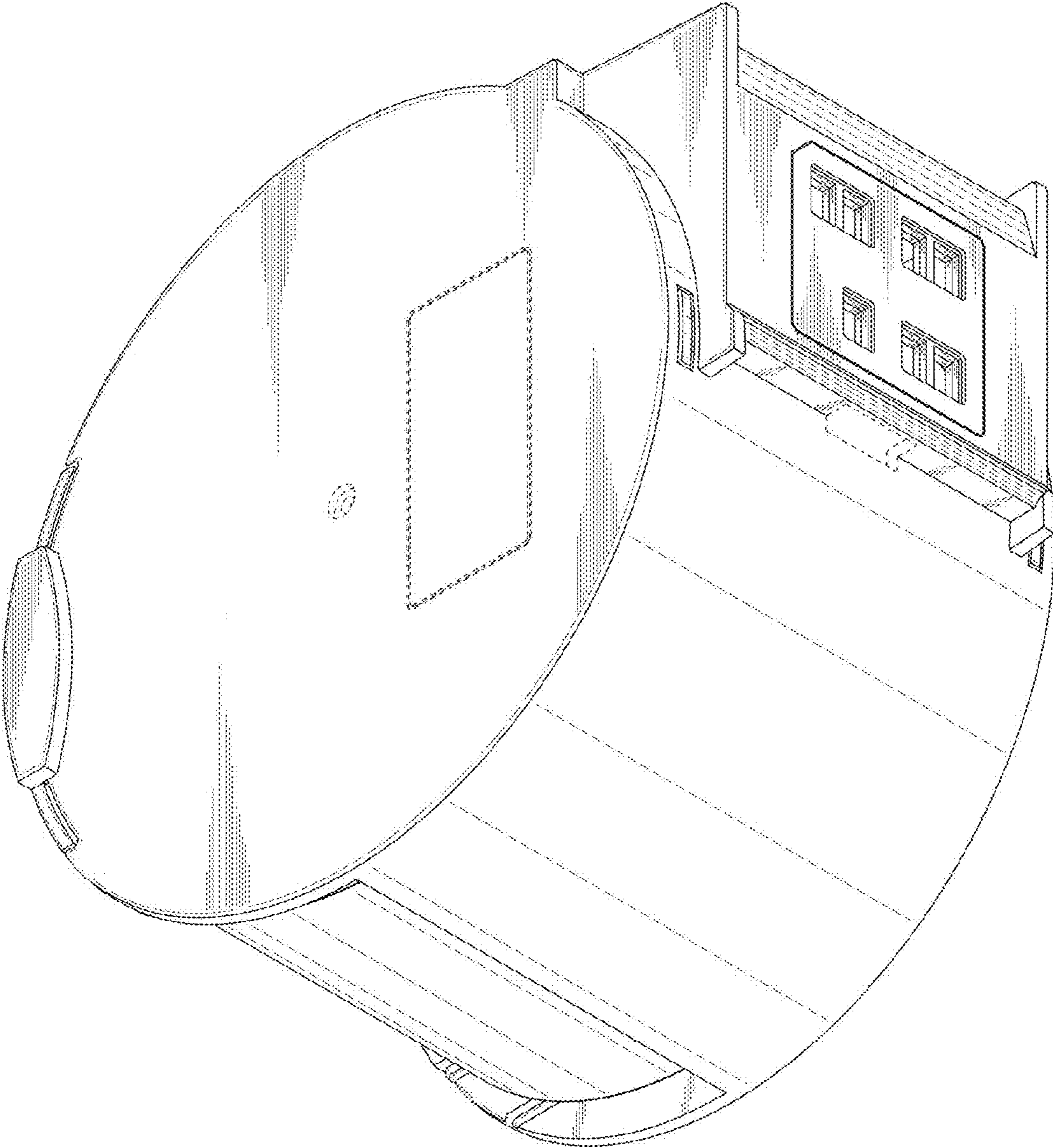
**FIG. 8**



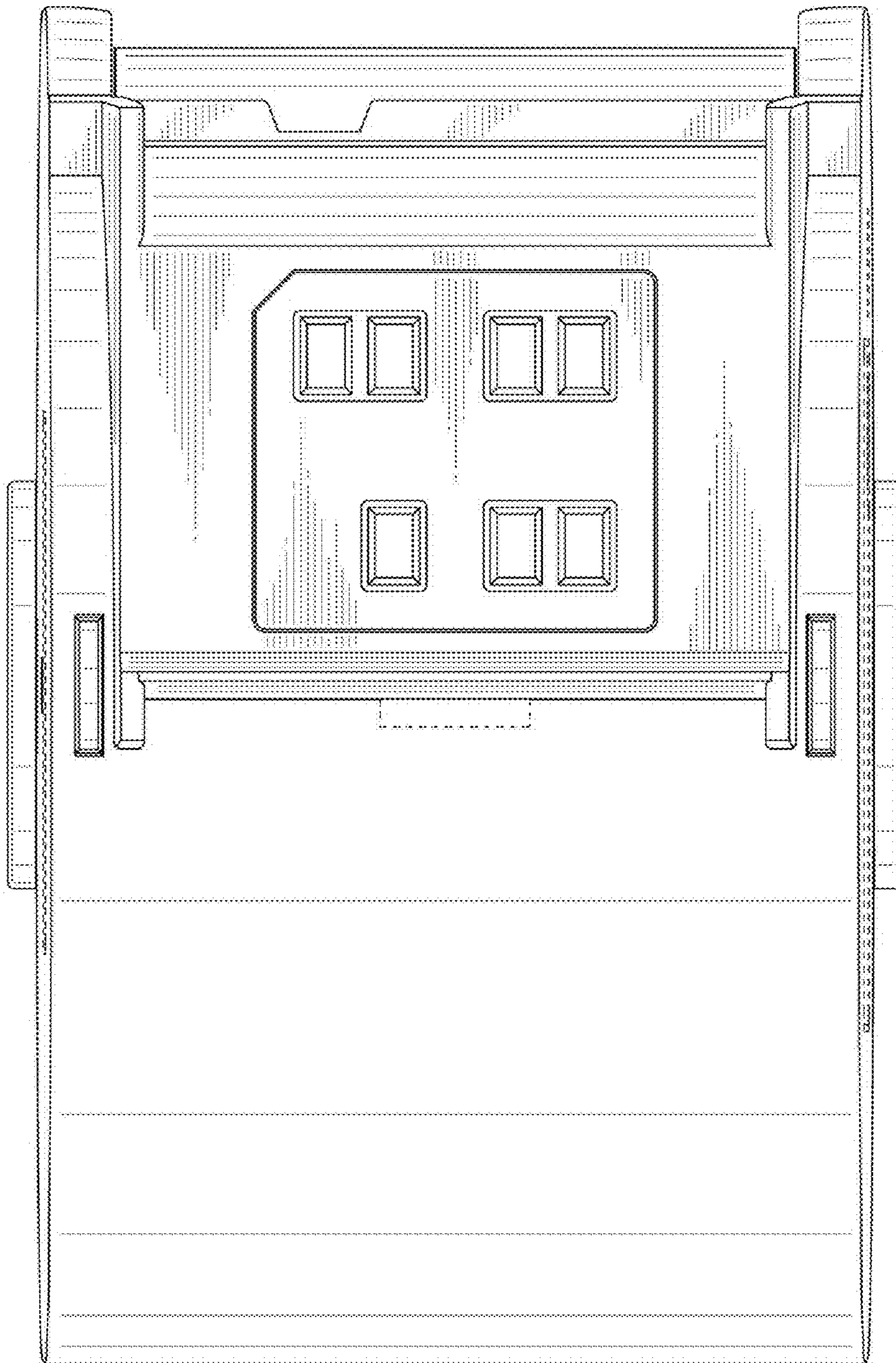
**FIG. 9**



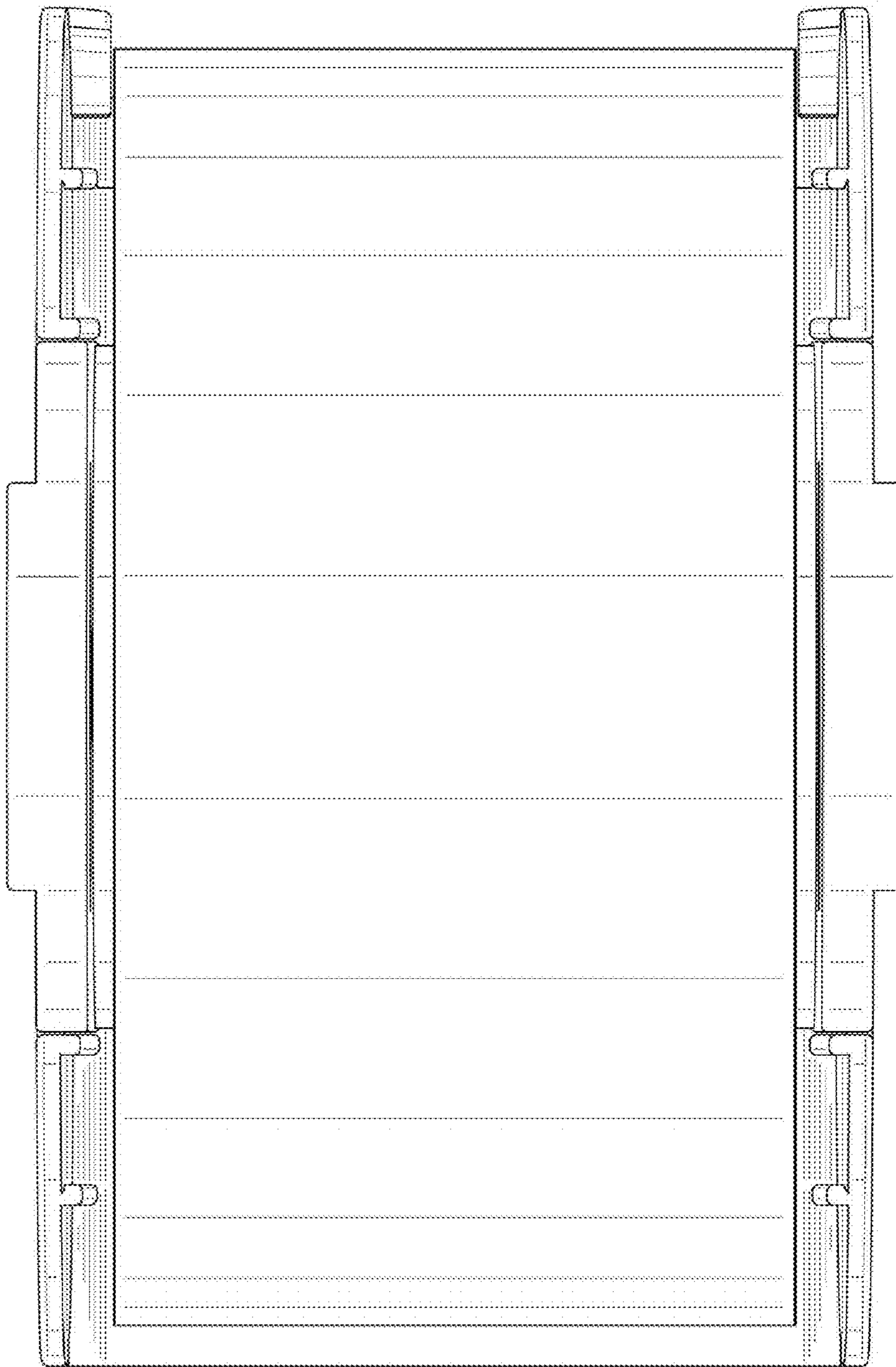
**FIG. 10**



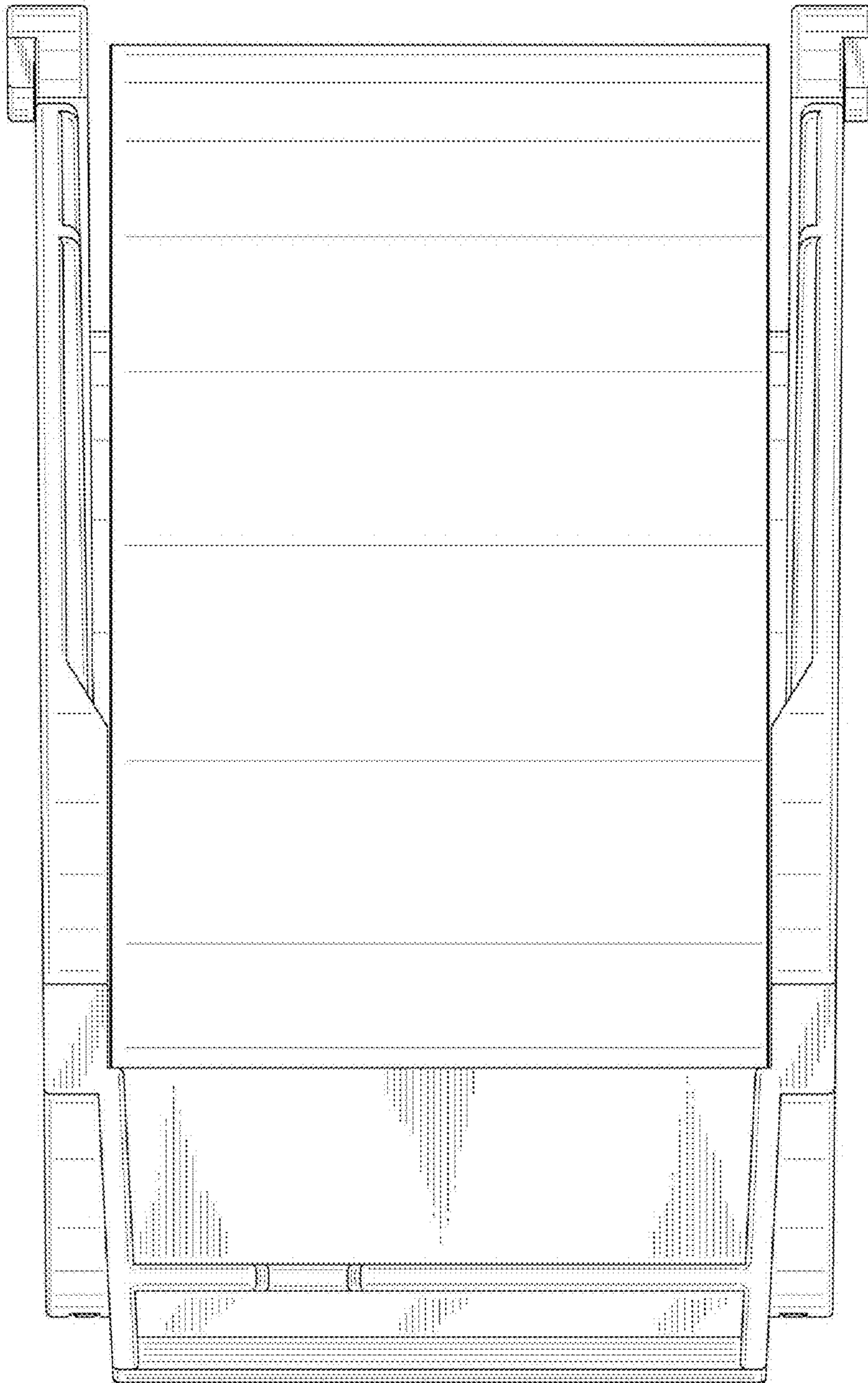
**FIG. 11**



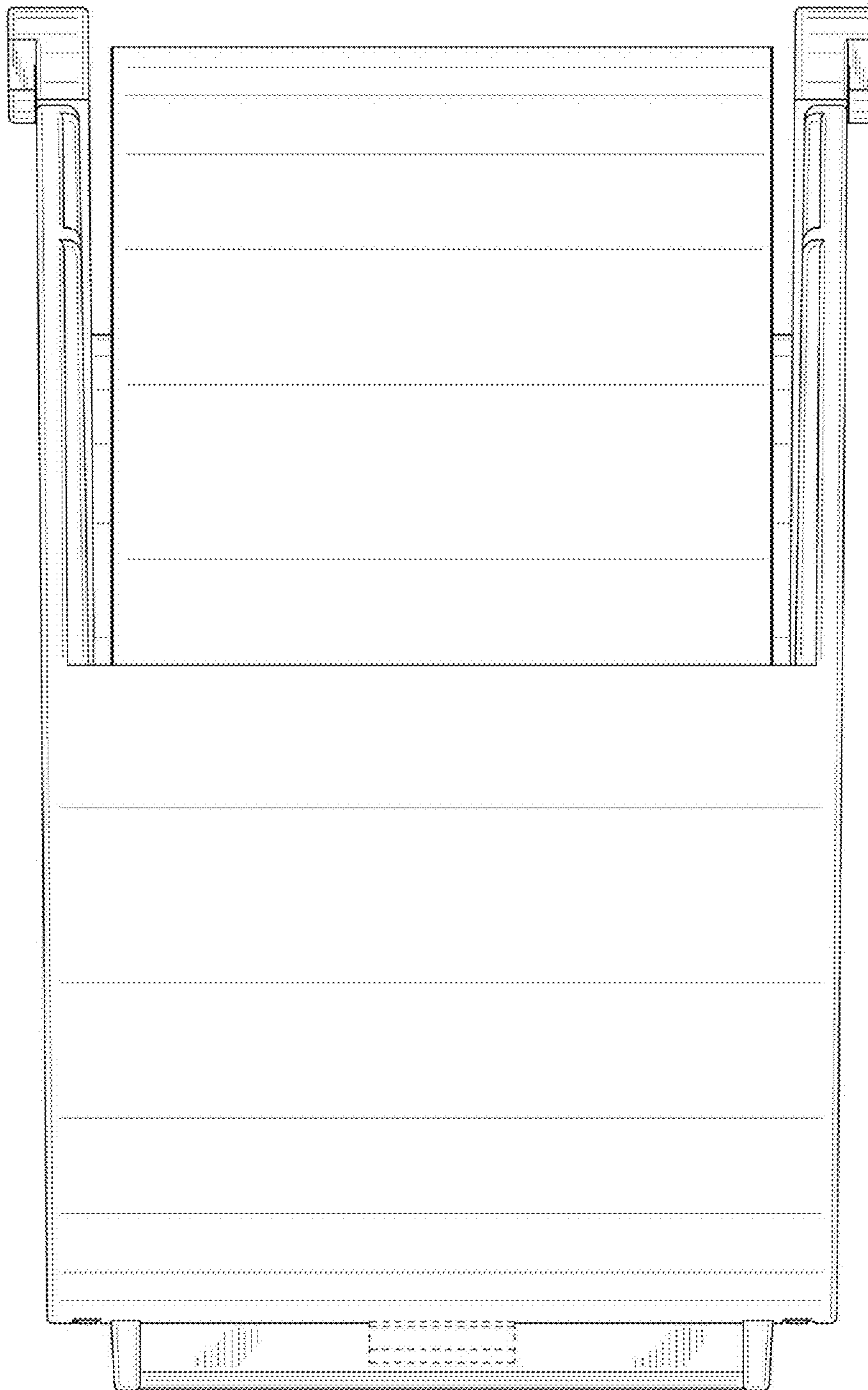
**FIG. 12**



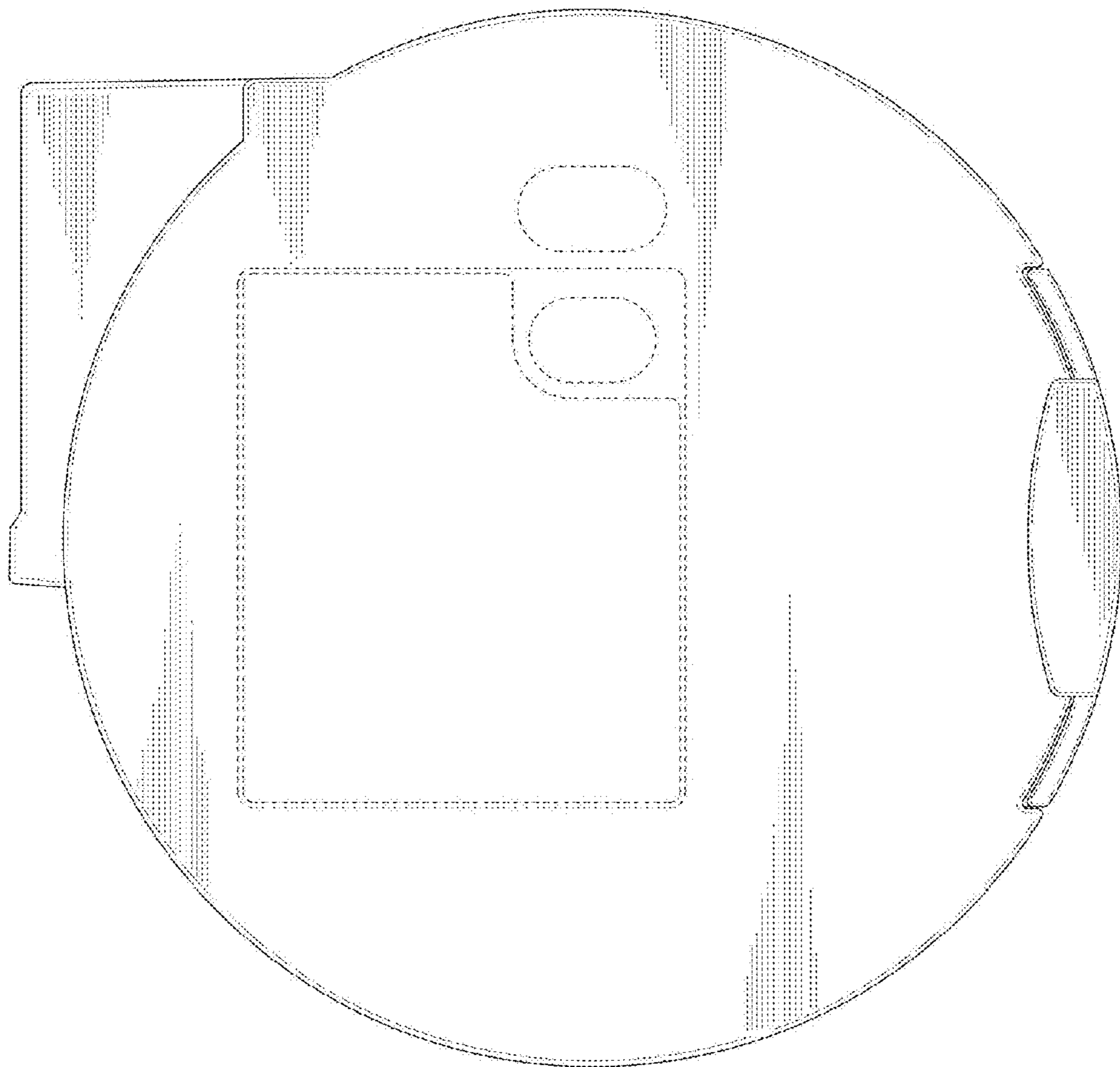
**FIG. 13**



*FIG. 14*



**FIG. 15**





**FIG. 16**

