



US00D675253S

(12) **United States Design Patent**
Kubota et al.

(10) **Patent No.:** **US D675,253 S**
(45) **Date of Patent:** **** Jan. 29, 2013**

(54) **TAPE CARTRIDGE FOR A LABEL PRINTER**

(75) Inventors: **Tomoyuki Kubota**, Matsumoto (JP);
Shinsaku Kosuge, Matsumoto (JP);
Hiroaki Tanaka, Hachioji (JP)

(73) Assignee: **Seiko Epson Corporation**, Tokyo (JP)

(**) Term: **14 Years**

(21) Appl. No.: **29/409,659**

(22) Filed: **Dec. 27, 2011**

(30) **Foreign Application Priority Data**

Jun. 30, 2011 (JP) 2011-014936

(51) **LOC (9) Cl.** **18-02**

(52) **U.S. Cl.** **D18/56**

(58) **Field of Classification Search** D18/12,
D18/40, 43, 56; 347/86, 214; 400/196, 196.1,
400/207-208, 208.1, 242

See application file for complete search history.

(56) **References Cited**

U.S. PATENT DOCUMENTS

- 5,269,612 A * 12/1993 Shimoha et al. 400/207
- 5,599,115 A * 2/1997 Radcliffe et al. 400/207
- D466,150 S * 11/2002 Matsumoto et al. D18/56
- 6,520,631 B1 * 2/2003 Silverbrook et al. 347/86
- 6,565,181 B2 * 5/2003 Silverbrook 347/86

- D486,853 S * 2/2004 Wilken et al. D18/56
- D519,552 S * 4/2006 Carriere et al. D18/56
- D525,297 S * 7/2006 Okuchi et al. D18/56
- 7,270,493 B2 * 9/2007 Unotoro 400/582
- D579,942 S * 11/2008 Terry et al. D18/56
- D582,473 S * 12/2008 Park et al. D18/56
- D586,388 S * 2/2009 Pomfret D18/56
- D610,607 S * 2/2010 Kachi et al. D18/56
- 7,959,272 B2 * 6/2011 Silverbrook et al. 347/86

* cited by examiner

Primary Examiner — Cathy A MacCormac

(57) **CLAIM**

The ornamental design for a tape cartridge for a label printer, as shown and described.

DESCRIPTION

FIG. 1 is a front, top and right side perspective view of a tape cartridge for a label printer showing our new design;

FIG. 2 is a front, bottom and left side perspective view thereof;

FIG. 3 is a front view thereof;

FIG. 4 is a top plan view thereof;

FIG. 5 is a bottom plan view thereof; and,

FIG. 6 is a right side view thereof, the left side view being a mirror image of FIG. 6.

The features shown in broken lines in the drawings depict environmental subject matter only and form no part of the claimed design. The dash-dotted lines define the boundaries of the claimed design and form no part thereof.

1 Claim, 6 Drawing Sheets

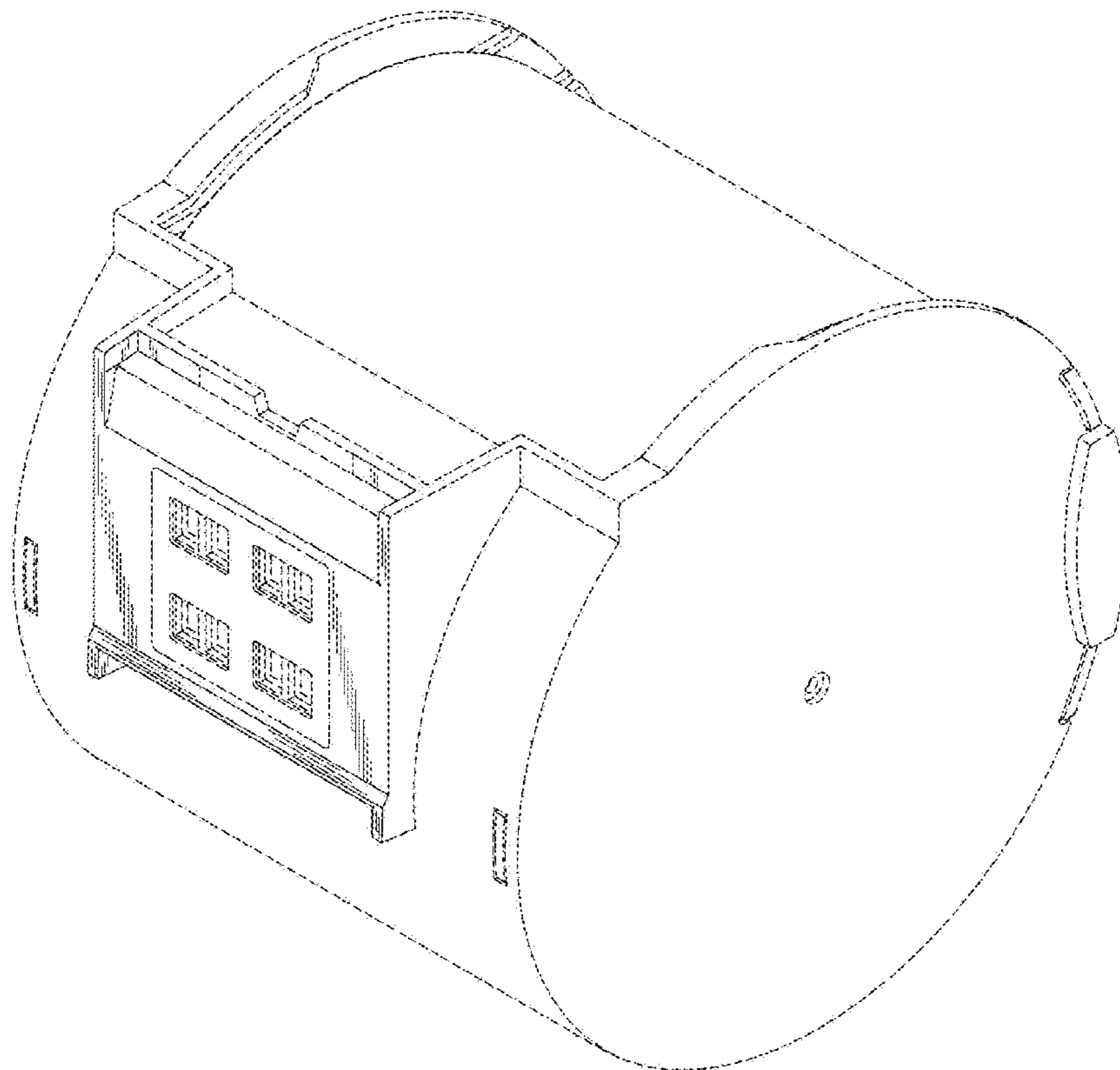


FIG. 1

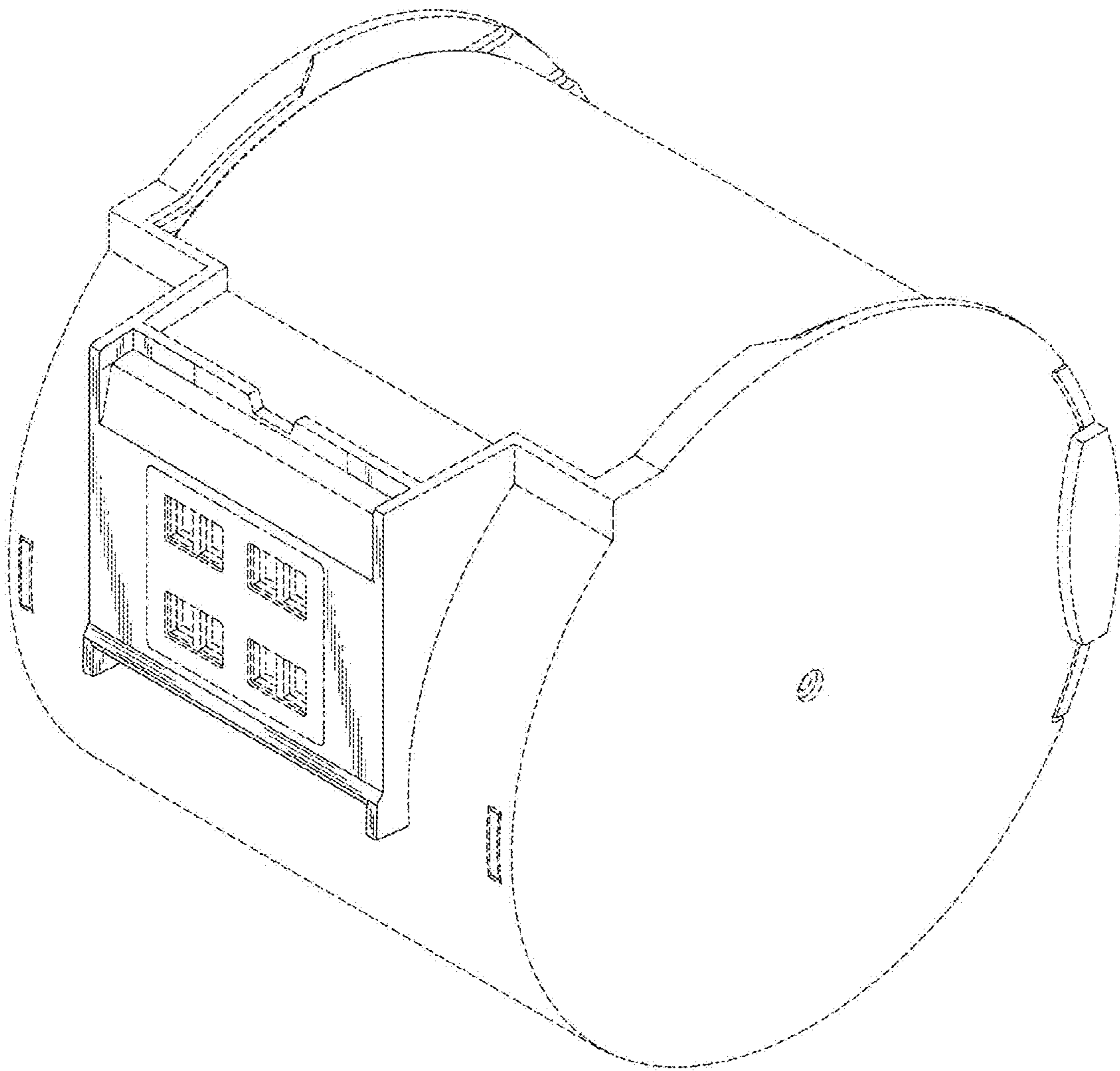


FIG. 2

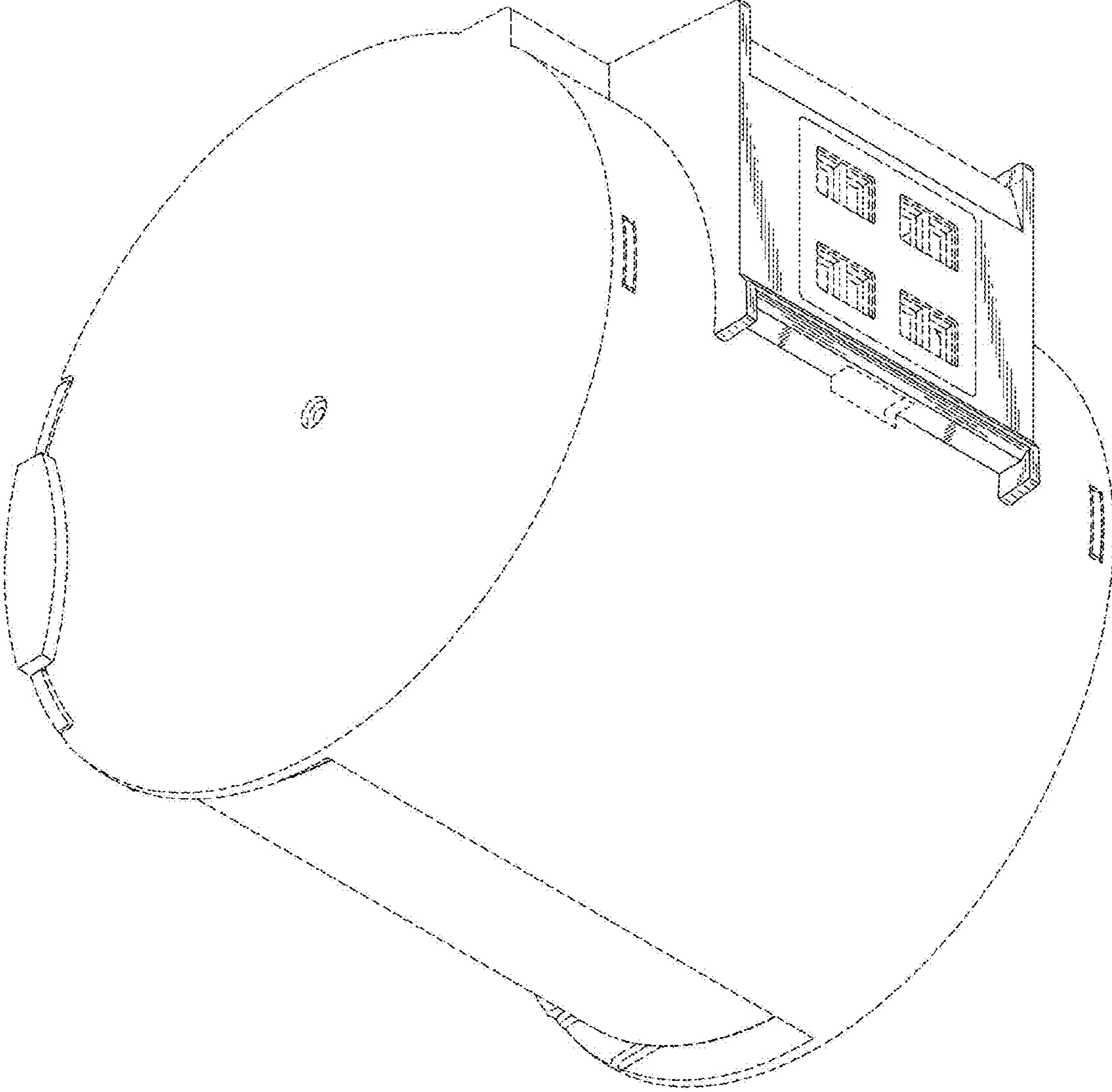


FIG. 3

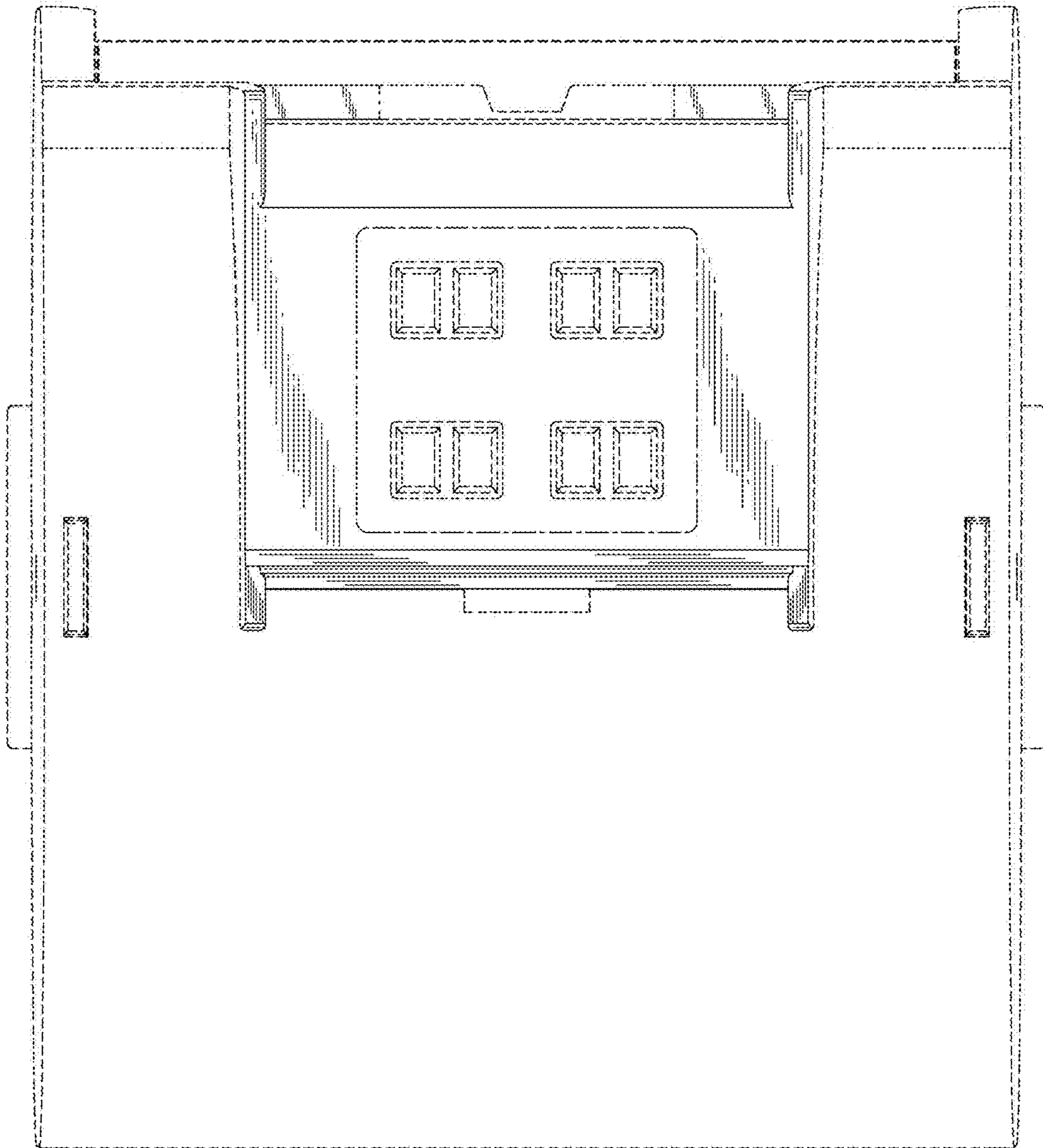


FIG. 4

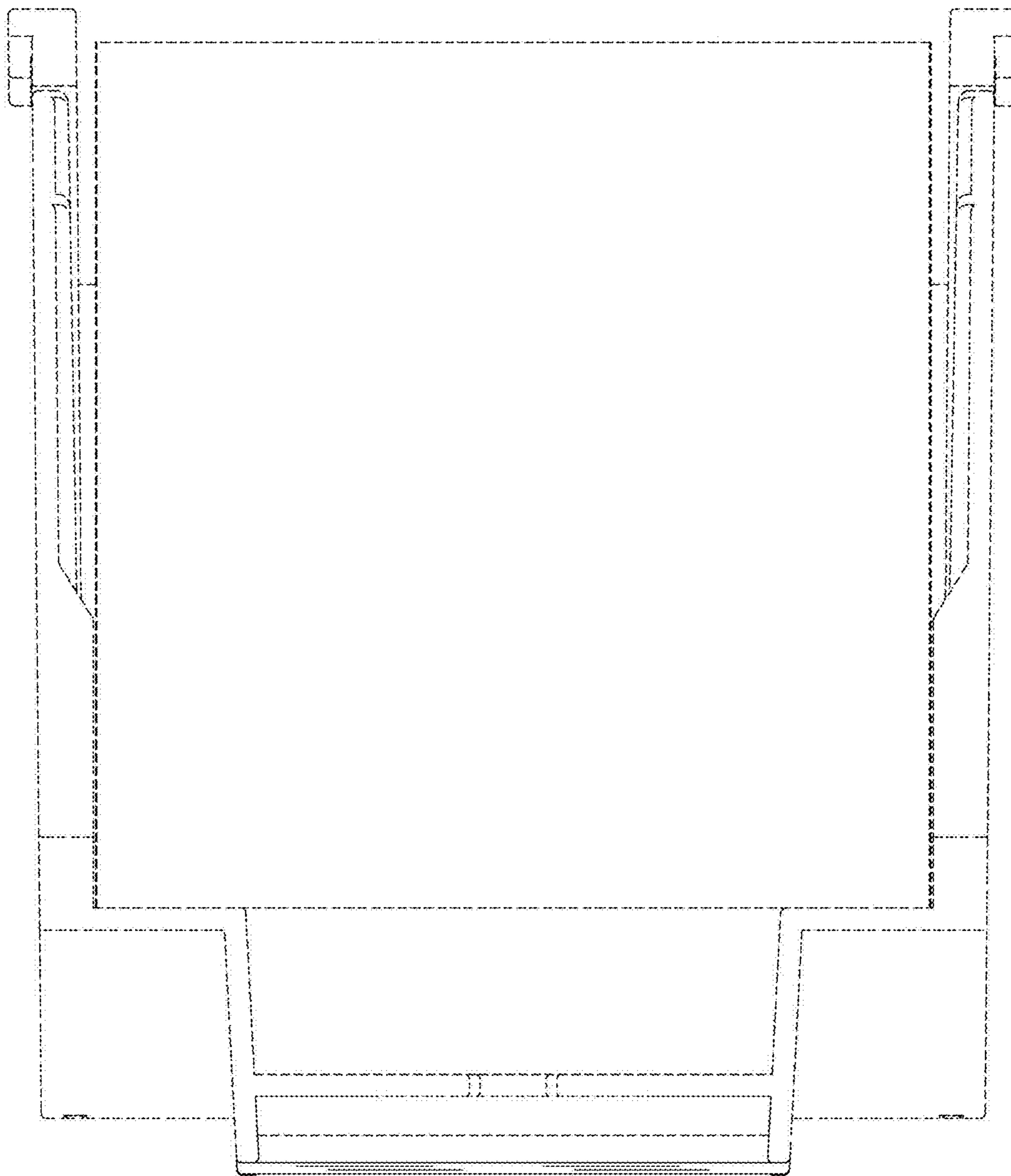


FIG. 5

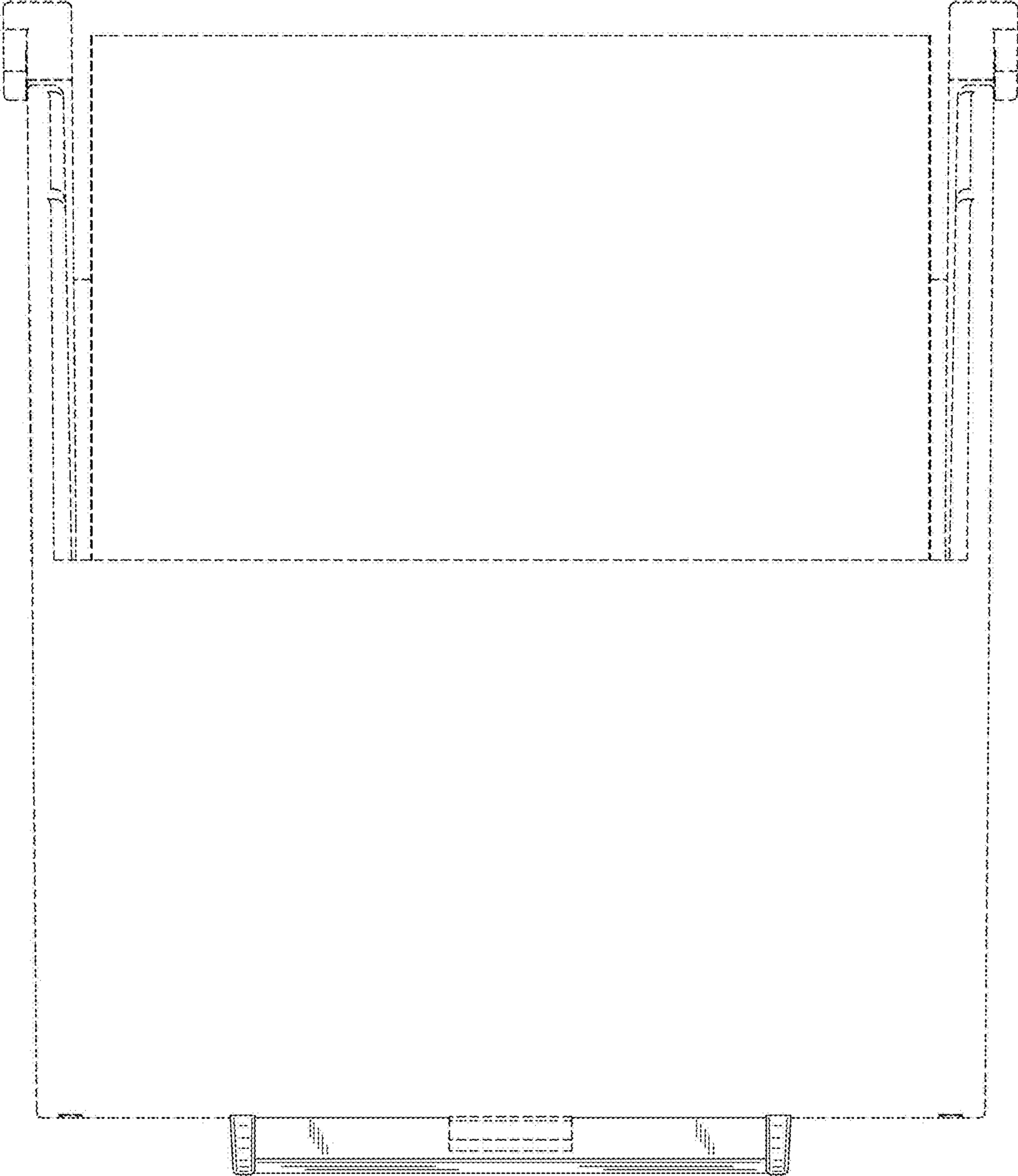


FIG. 6

