



US00D675251S

(12) **United States Design Patent**  
**Roberts et al.**

(10) **Patent No.:** **US D675,251 S**  
(45) **Date of Patent:** **\*\* Jan. 29, 2013**

(54) **MATERIAL TRIMMER FOR CUTTING PAPER AND THE LIKE**

(75) Inventors: **Colin Roberts**, Stevens Point, WI (US);  
**Daniel J. Lipscomb**, Prairie Du Sac, WI (US);  
**Douglas R. Nelson**, Madison, WI (US);  
**Lisa Keepers**, Madison, WI (US)

(73) Assignee: **Fiskars Brands, Inc.**, Madison, WI (US)

(\*\*) Term: **14 Years**

(21) Appl. No.: **29/415,240**

(22) Filed: **Mar. 8, 2012**

(51) **LOC (9) Cl.** ..... **18-04**

(52) **U.S. Cl.** ..... **D18/34.3**

(58) **Field of Classification Search** ..... D18/34.1,  
D18/34.3, 34.7, 34.8, 34.9; 83/167, 745,  
83/544, 565, 614, 321, 322, 334, 674, 927;  
30/151, 162, 286, 290, 294, 319

See application file for complete search history.

(56) **References Cited**

U.S. PATENT DOCUMENTS

D348,271	S	*	6/1994	Mori	.....	D18/34.8
5,322,001	A		6/1994	Boda		
D353,150	S	*	12/1994	Mori	.....	D18/34.8
5,802,942	A		9/1998	Cornell et al.		
D411,227	S	*	6/1999	Mori	.....	D18/34.9
D412,931	S	*	8/1999	Chan et al.	.....	D18/34.8
D415,404	S		10/1999	Seaton		
D415,519	S	*	10/1999	Mori	.....	D18/34.8
5,996,459	A		12/1999	Cornell et al.		
D436,307	S		1/2001	Seaton		
D476,028	S		6/2003	McLean		
7,011,008	B2		3/2006	McLean et al.		
D531,204	S	*	10/2006	Nakamura	.....	D18/34.8
7,299,731	B2		11/2007	Schulz		
D559,304	S		1/2008	Lam et al.		
D559,305	S	*	1/2008	Lam et al.	.....	D18/34.8
D559,306	S		1/2008	Lam et al.		

D559,307	S		1/2008	Lam et al.		
D581,972	S	*	12/2008	Sudmalis et al.	.....	D18/34.8
D593,598	S		6/2009	Phillips et al.		
D593,599	S		6/2009	Peterson et al.		
D607,501	S		1/2010	Peterson et al.		
2002/0092396	A1	*	7/2002	Hsiao	.....	83/454
2003/0140761	A1		7/2003	Schulz		
2005/0039588	A1	*	2/2005	Chieng	.....	83/485
2007/0277663	A1	*	12/2007	Eby et al.	.....	83/651
2009/0313833	A1	*	12/2009	Eby et al.	.....	30/124
2011/0138982	A1	*	6/2011	Block et al.	.....	83/520

FOREIGN PATENT DOCUMENTS

WO WO 2007/133657 A1 11/2007

OTHER PUBLICATIONS

Fiskars School Office Craft Catalog, Jan. 2005, pp. 25-31.

\* cited by examiner

*Primary Examiner* — Bridget L Eland

(74) *Attorney, Agent, or Firm* — Foley & Lardner LLP

(57) **CLAIM**

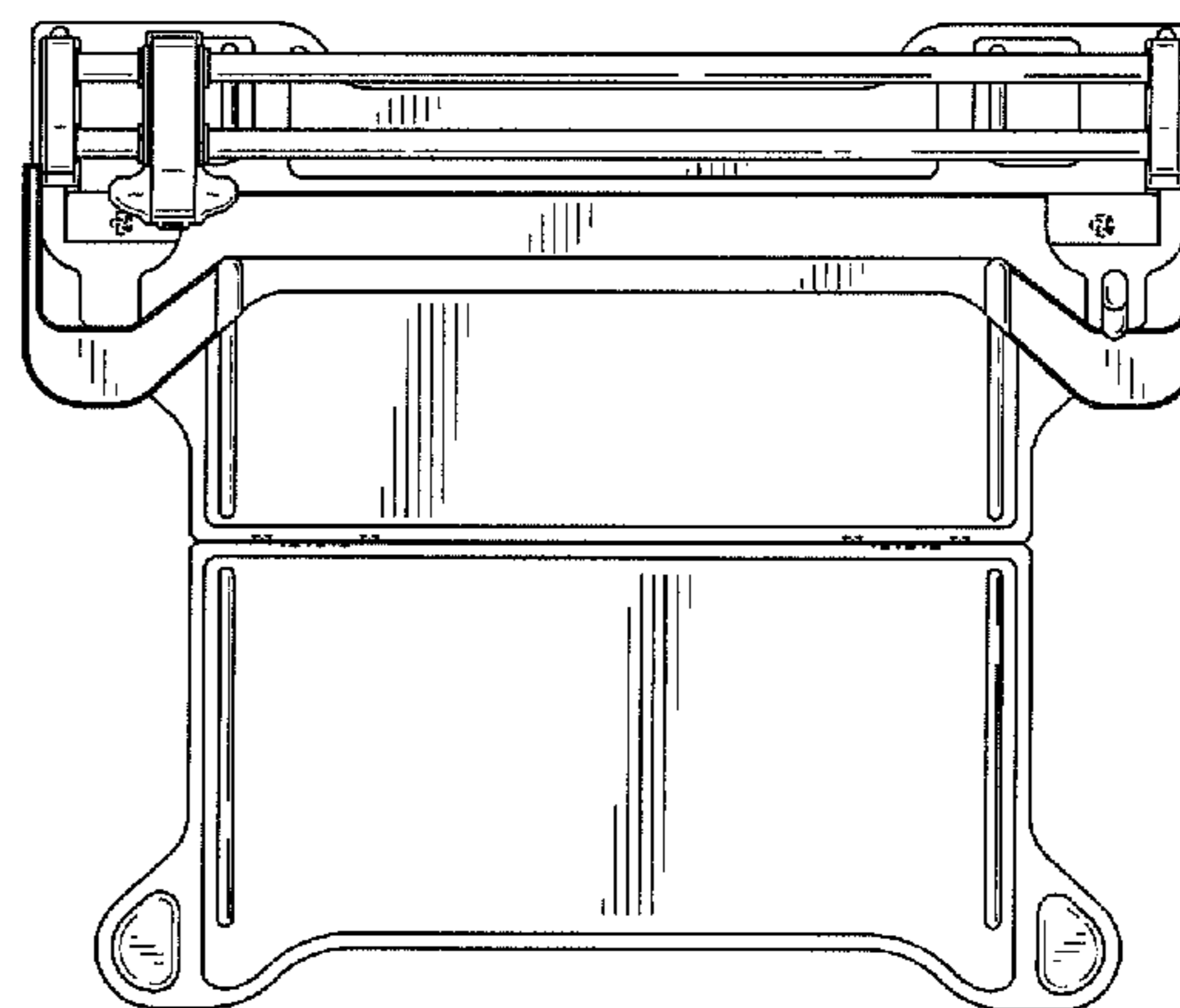
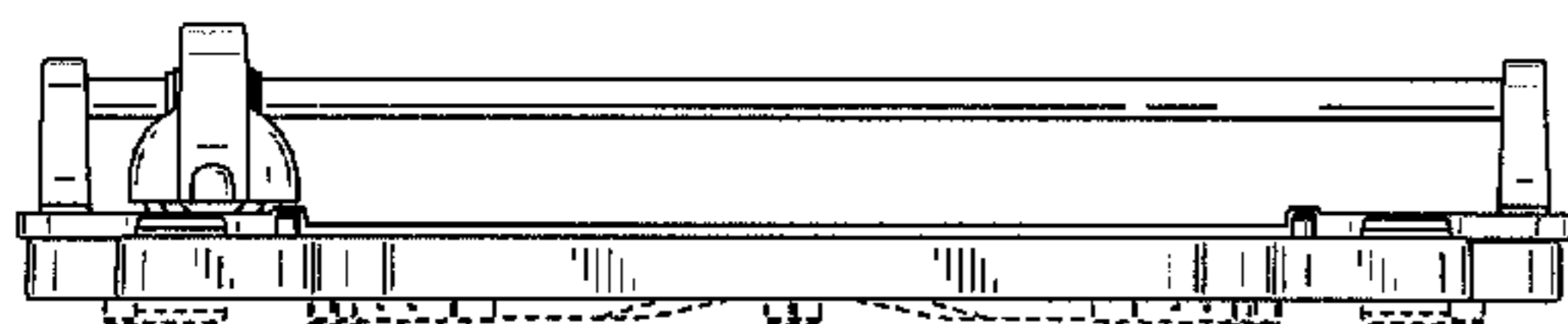
We claim the ornamental design for a material trimmer for cutting paper and the like, as shown and described.

**DESCRIPTION**

FIG. 1 is an isometric view of a material trimmer for cutting paper and the like showing our claimed design; FIG. 2 is a front elevational view thereof; FIG. 3 is a rear elevational view thereof; FIG. 4 is a right side elevational view thereof; FIG. 5 is a left side elevational view thereof; FIG. 6 is a top plan view thereof; and, FIG. 7 is a bottom plan view thereof.

The ornamental design which is claimed is shown in solid lines in the drawings. The broken line showing is directed to environment and is for illustrative purposes only; the broken lines form no part of the claimed design.

**1 Claim, 4 Drawing Sheets**



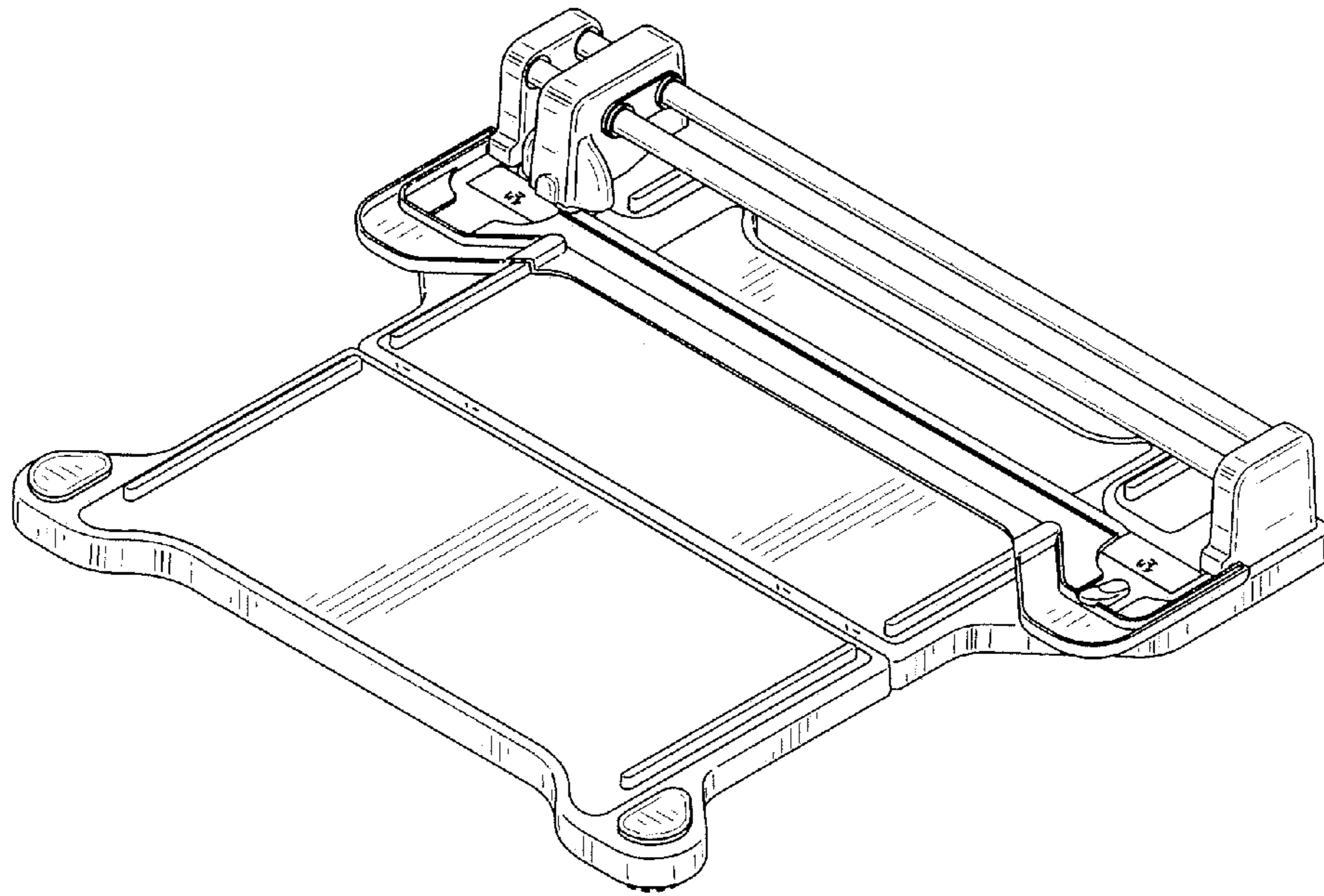


FIG. 1

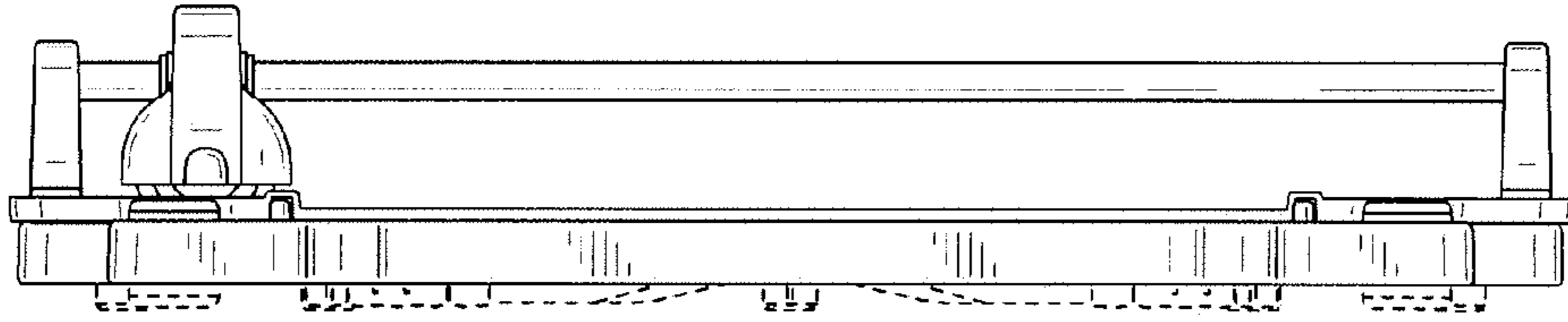


FIG. 2

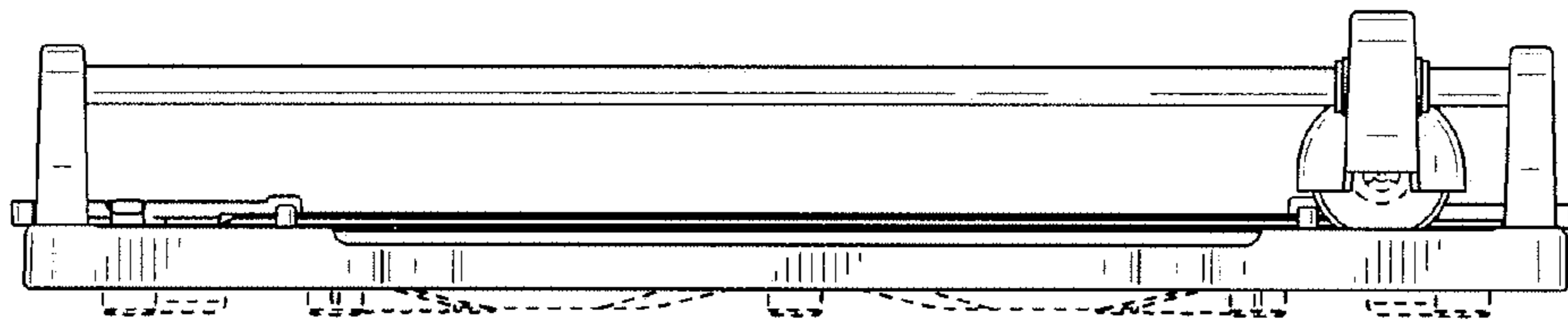


FIG. 3

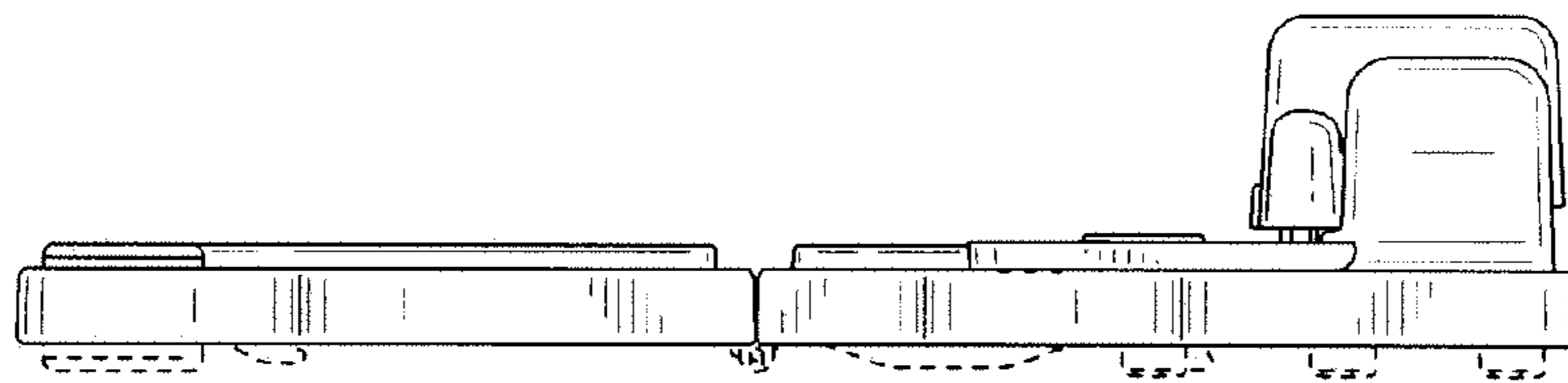


FIG. 4

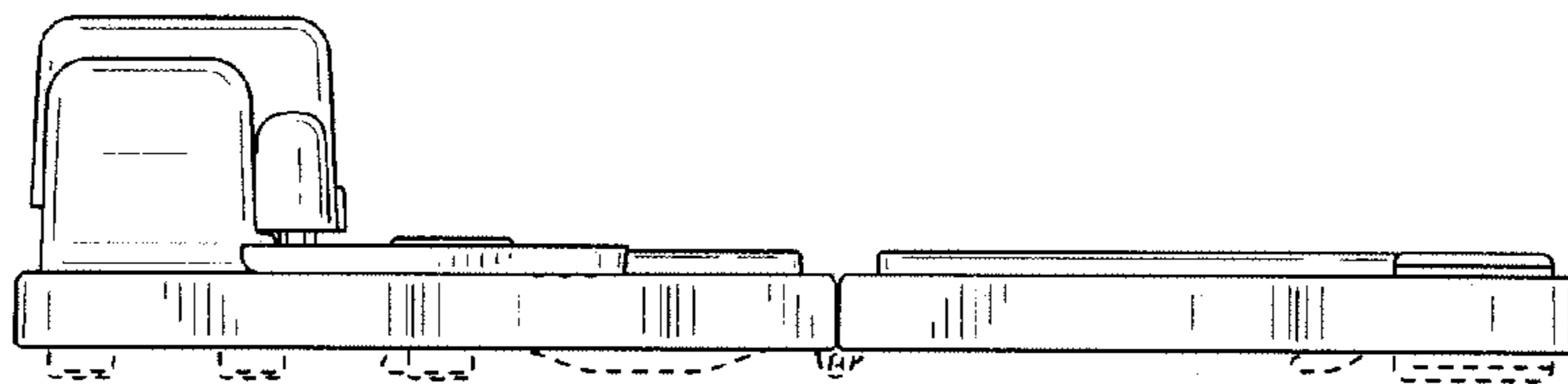


FIG. 5

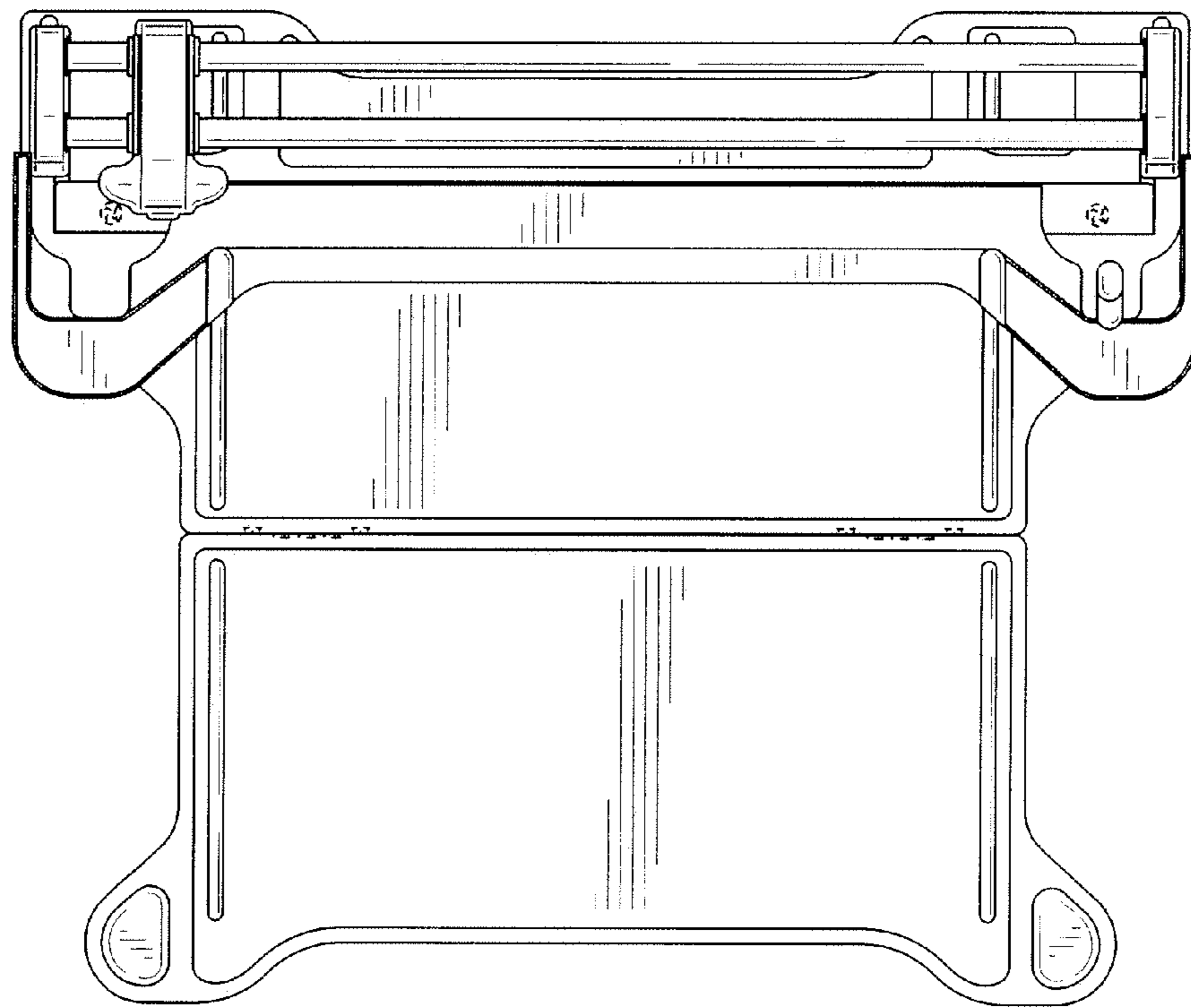


FIG. 6

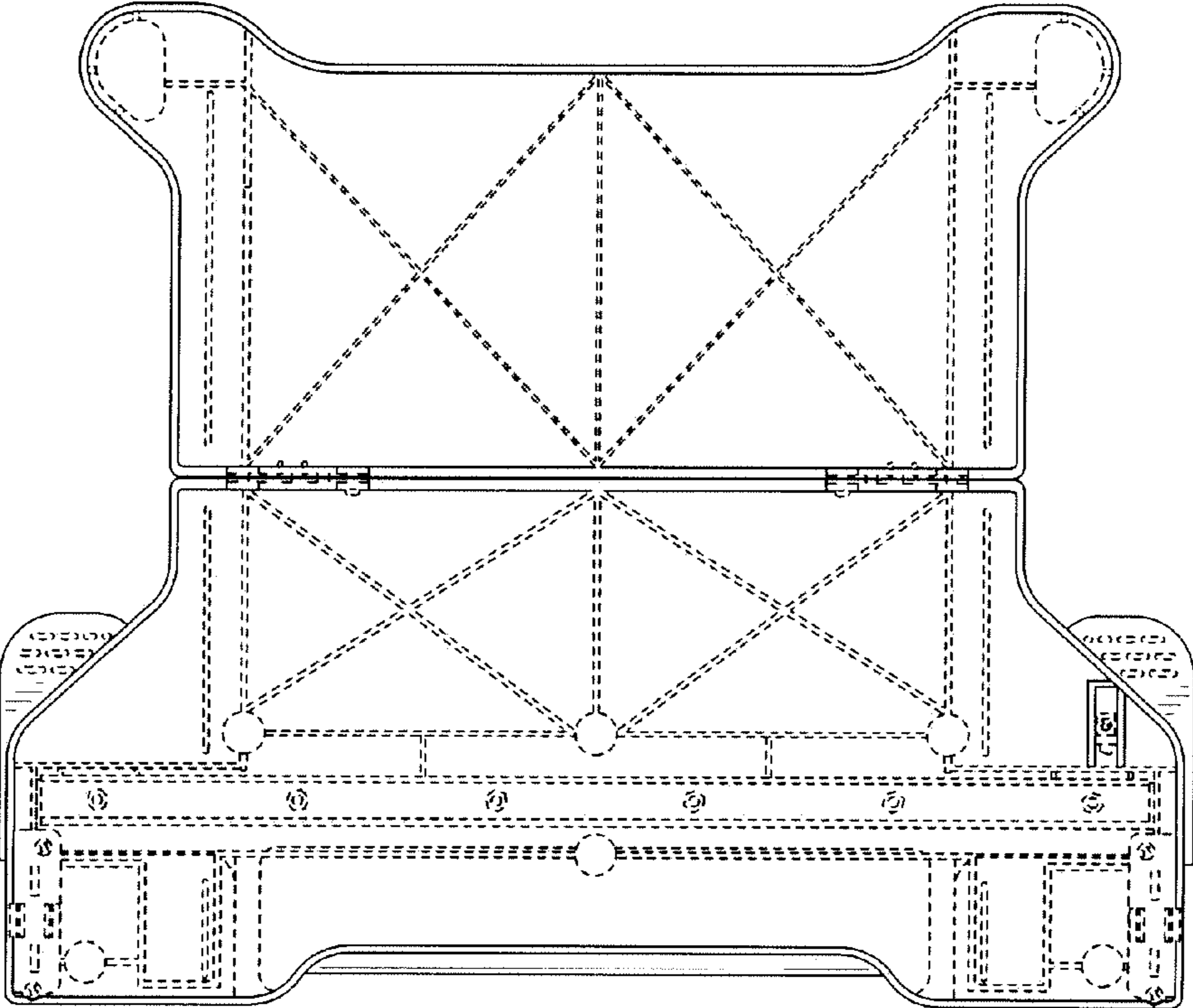


FIG. 7