



US00D675249S

(12) **United States Design Patent**  
**Giroux**

(10) **Patent No.:** **US D675,249 S**  
(45) **Date of Patent:** **\*\* Jan. 29, 2013**

- (54) **GOGGLE STRAP CONNECTORS**
  - (75) Inventor: **George T. Giroux**, Ketchum, ID (US)
  - (73) Assignee: **Smith Optics, Inc.**, Ketchum, ID (US)
  - (\*\*) Term: **14 Years**
  - (21) Appl. No.: **29/383,584**
  - (22) Filed: **Jan. 19, 2011**
  - (51) **LOC (9) Cl.** ..... **16-06**
  - (52) **U.S. Cl.** ..... **D16/339; D16/312**
  - (58) **Field of Classification Search** ..... D16/101,  
D16/300-342, 900; D29/109-110; D24/110.2;  
351/41, 44, 51-52, 62, 158, 92, 103-123,  
351/140, 153, 45-46; 2/426-432, 447-449,  
2/441, 434-437, 13, 15; D21/483, 659-661;  
D14/372
- See application file for complete search history.

- D645,210 S 9/2011 Chilson et al.
- 2006/0059606 A1 3/2006 Ferrara
- 2007/0130672 A1 6/2007 Beddoe et al.
- 2008/0052808 A1 3/2008 Leick et al.

\* cited by examiner

*Primary Examiner* — Raphael Barkai  
(74) *Attorney, Agent, or Firm* — Dorsey & Whitney, LLP

(57) **CLAIM**

The ornamental design of the goggle strap connectors, as shown and described.

**DESCRIPTION**

FIG. 1 is a front perspective view of an embodiment of goggle strap connectors;  
 FIG. 2 is a rear perspective view of the goggle strap connectors of FIG. 1;  
 FIG. 3 is a front perspective view of a front goggle strap connector of FIG. 1;  
 FIG. 4 is a top perspective view of the front goggle strap connector of FIG. 3;  
 FIG. 5 is a side perspective view of a back goggle strap connector of FIG. 1;  
 FIG. 6 is a side perspective view of the back goggle strap connector of FIG. 5; and,  
 FIG. 7 is a perspective view of the back goggle strap connector of FIG. 5.

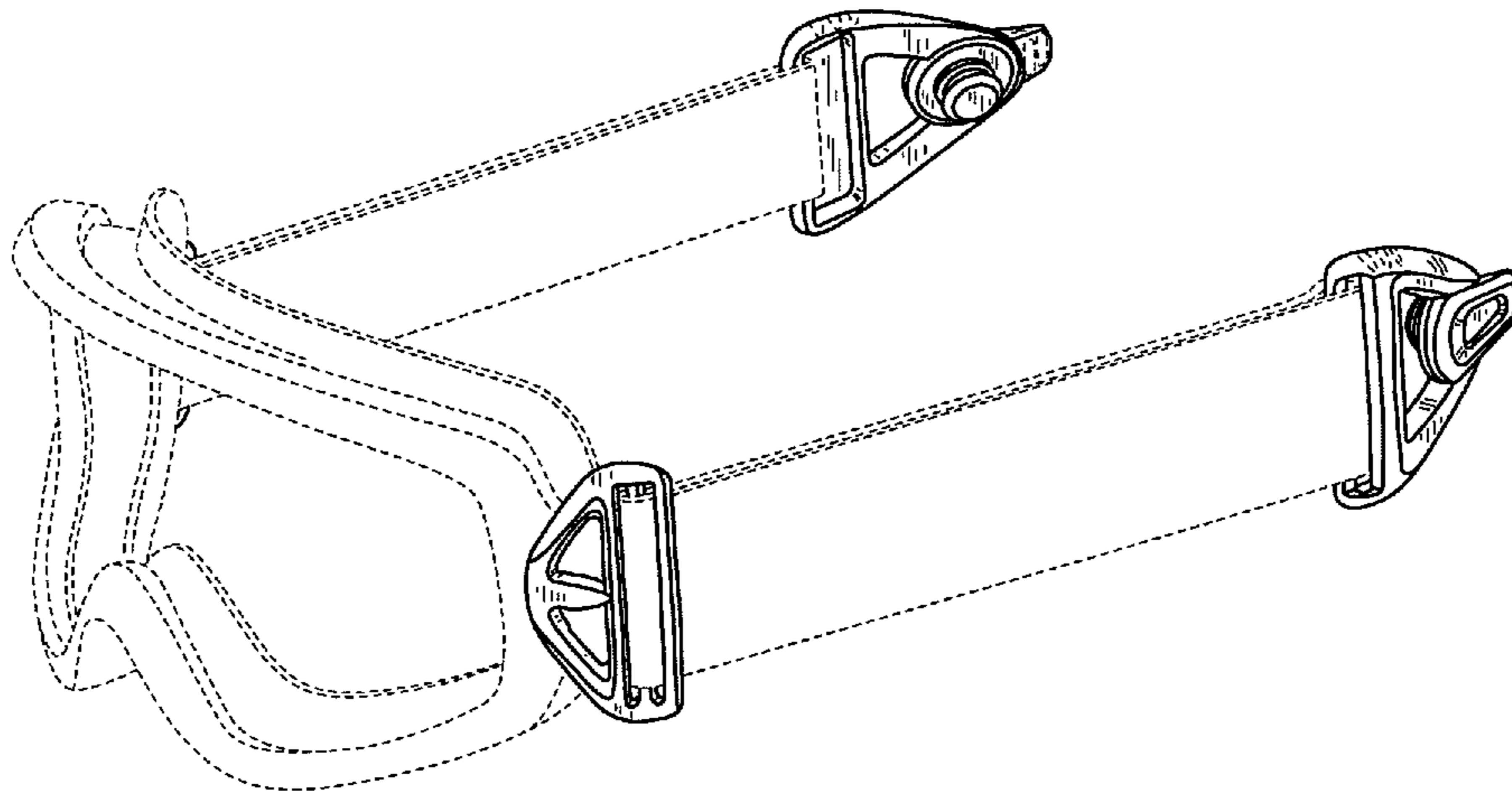
The broken lines are provided for illustrative purposes only, and form no part of the claimed design. In addition, shadings are provided for illustrative purposes only, and do not form any portion of the claimed design.

(56) **References Cited**

U.S. PATENT DOCUMENTS

D213,085 S	1/1969	Wyckoff	
D266,626 S	10/1982	Gooding	
D400,555 S *	11/1998	Wang	D16/312
D428,906 S *	8/2000	Bolle	D16/312
D455,522 S	4/2002	Royes et al.	
D464,174 S	10/2002	Lu	
D482,500 S	11/2003	Ho	
6,970,691 B2	11/2005	Thompson	
D515,615 S *	2/2006	Fecteau et al.	D16/312
D535,059 S	1/2007	Lam	
D556,951 S	12/2007	Gath	
D610,602 S *	2/2010	Yun	D16/312
D616,915 S *	6/2010	Silveria et al.	D16/312
D628,346 S	11/2010	Petzl	

**1 Claim, 6 Drawing Sheets**



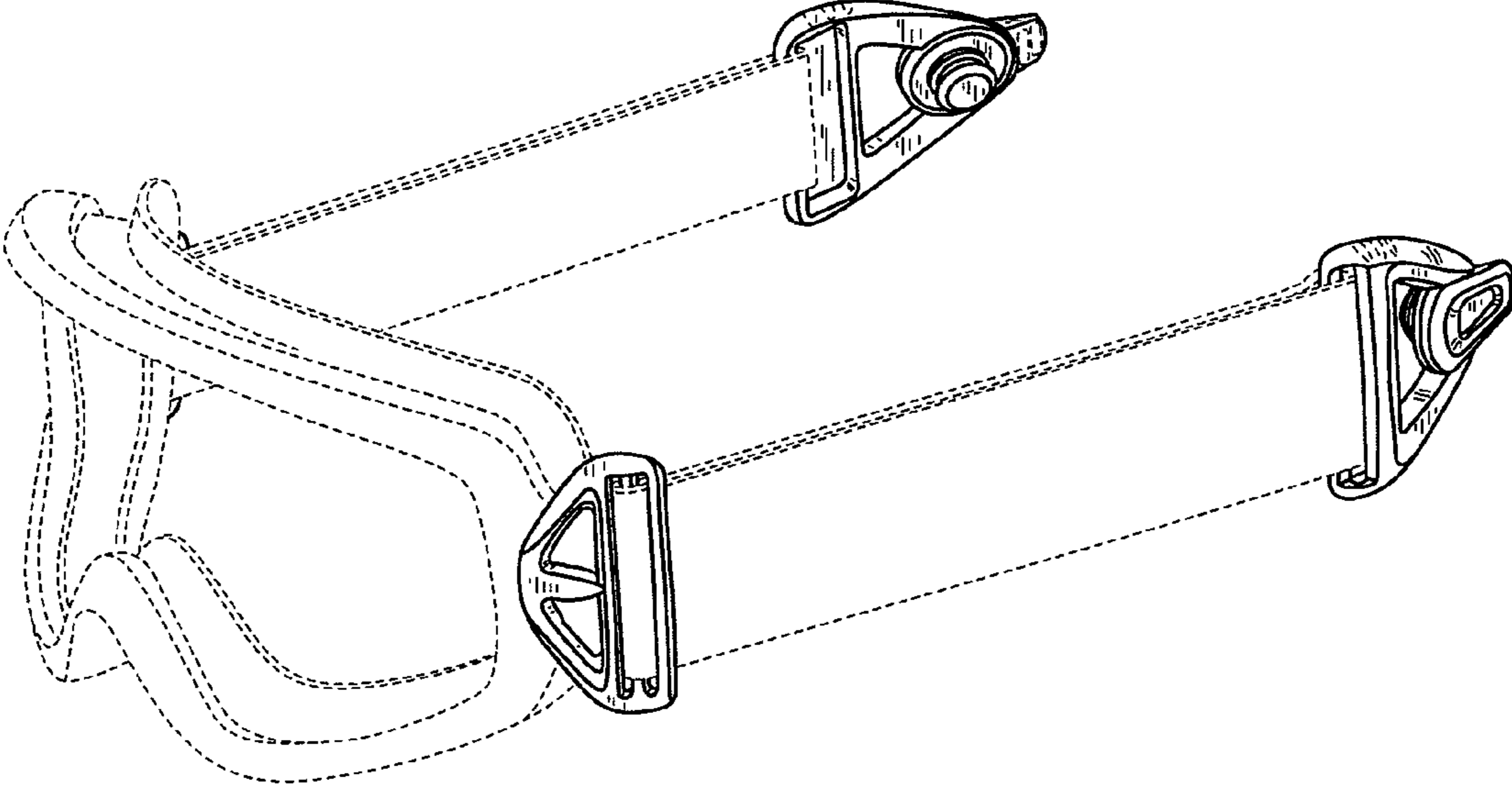


FIGURE 1

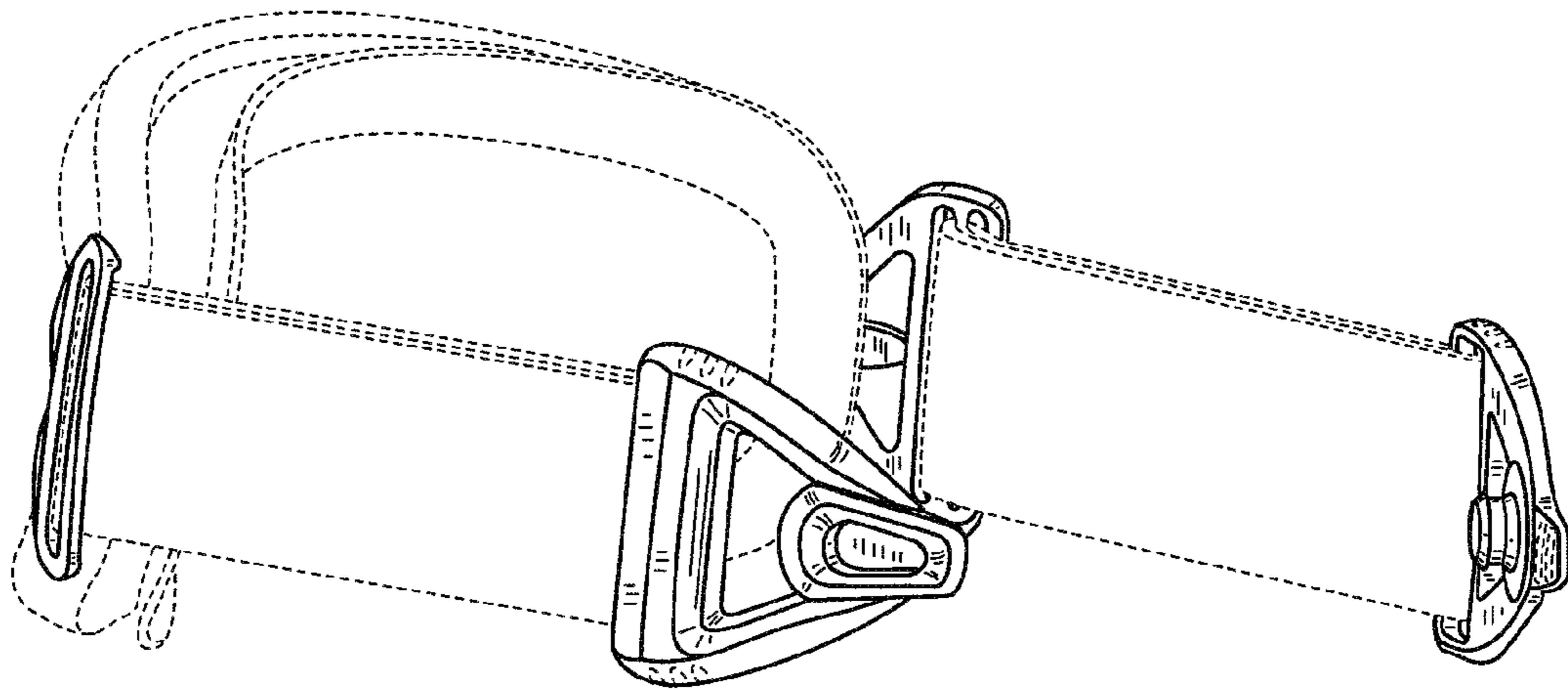


FIGURE 2

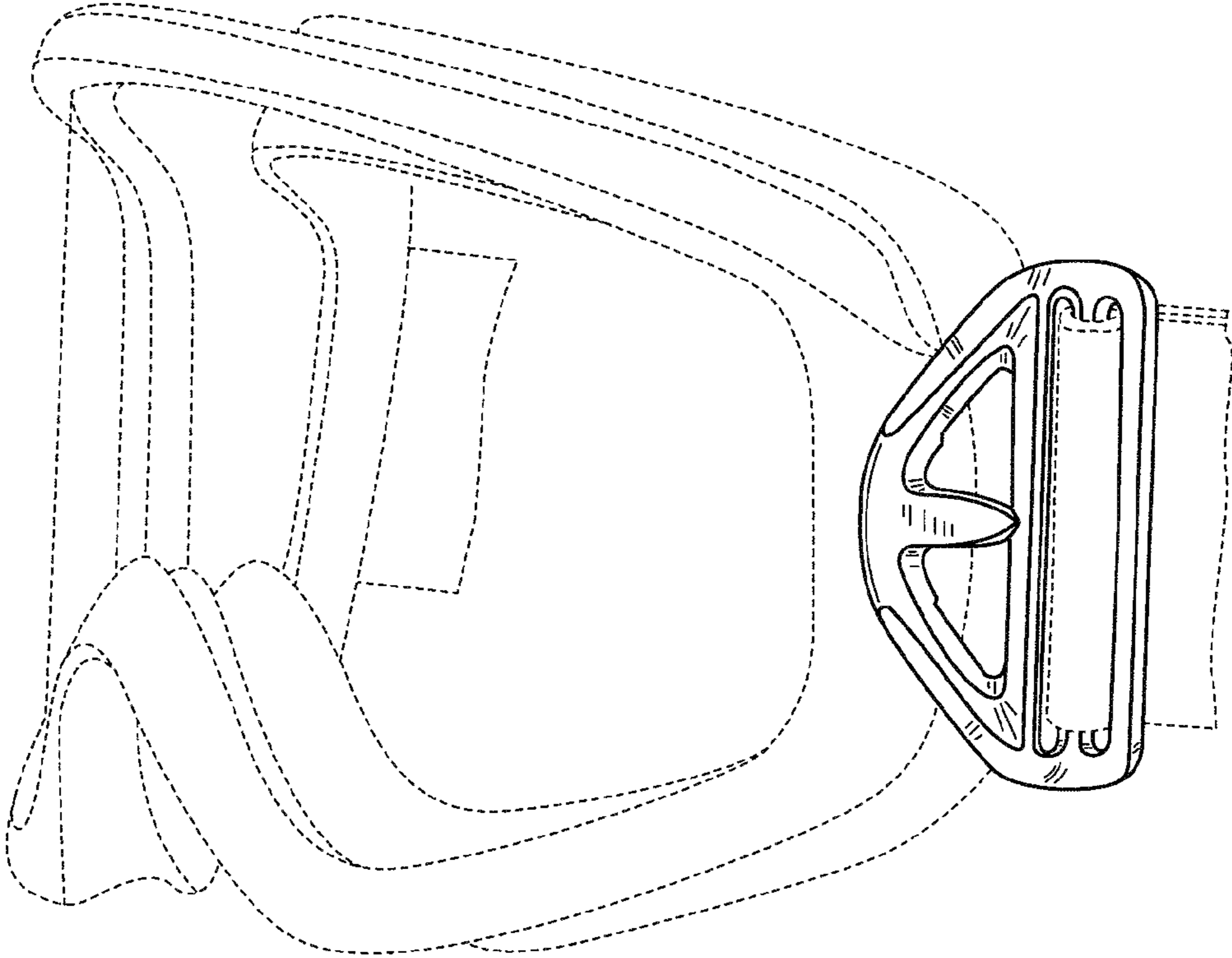


FIGURE 3

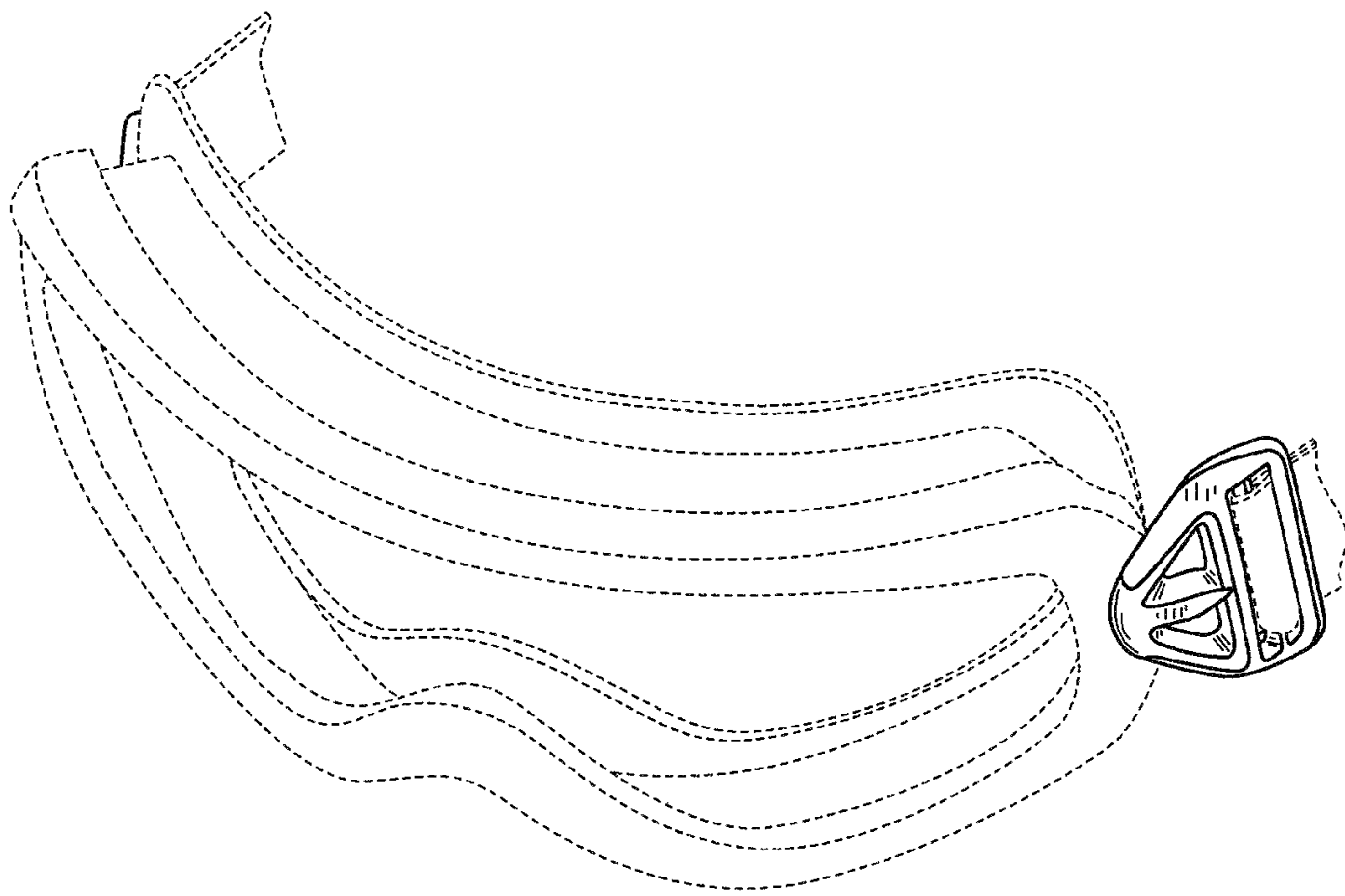


FIGURE 4

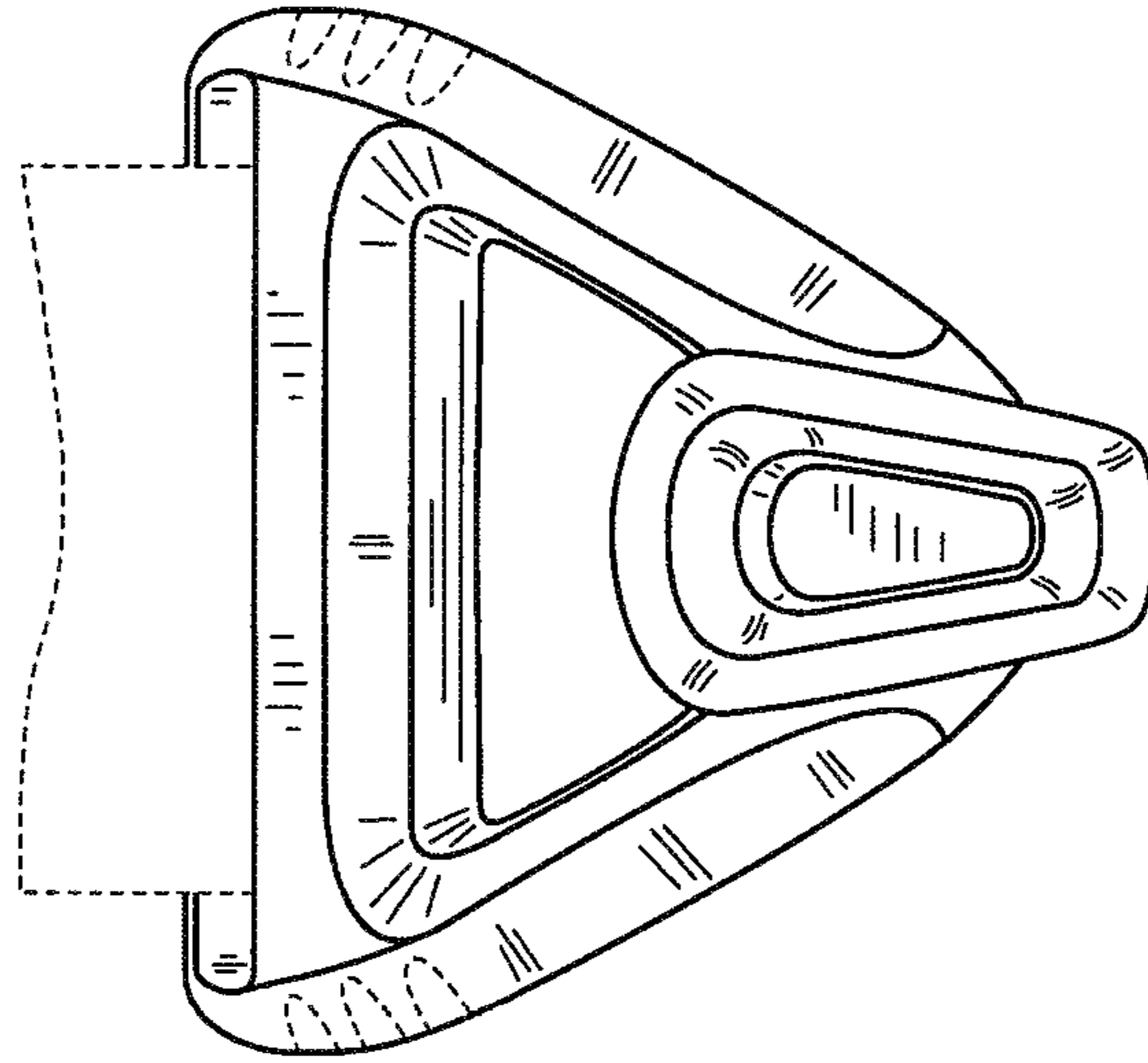


FIGURE 5

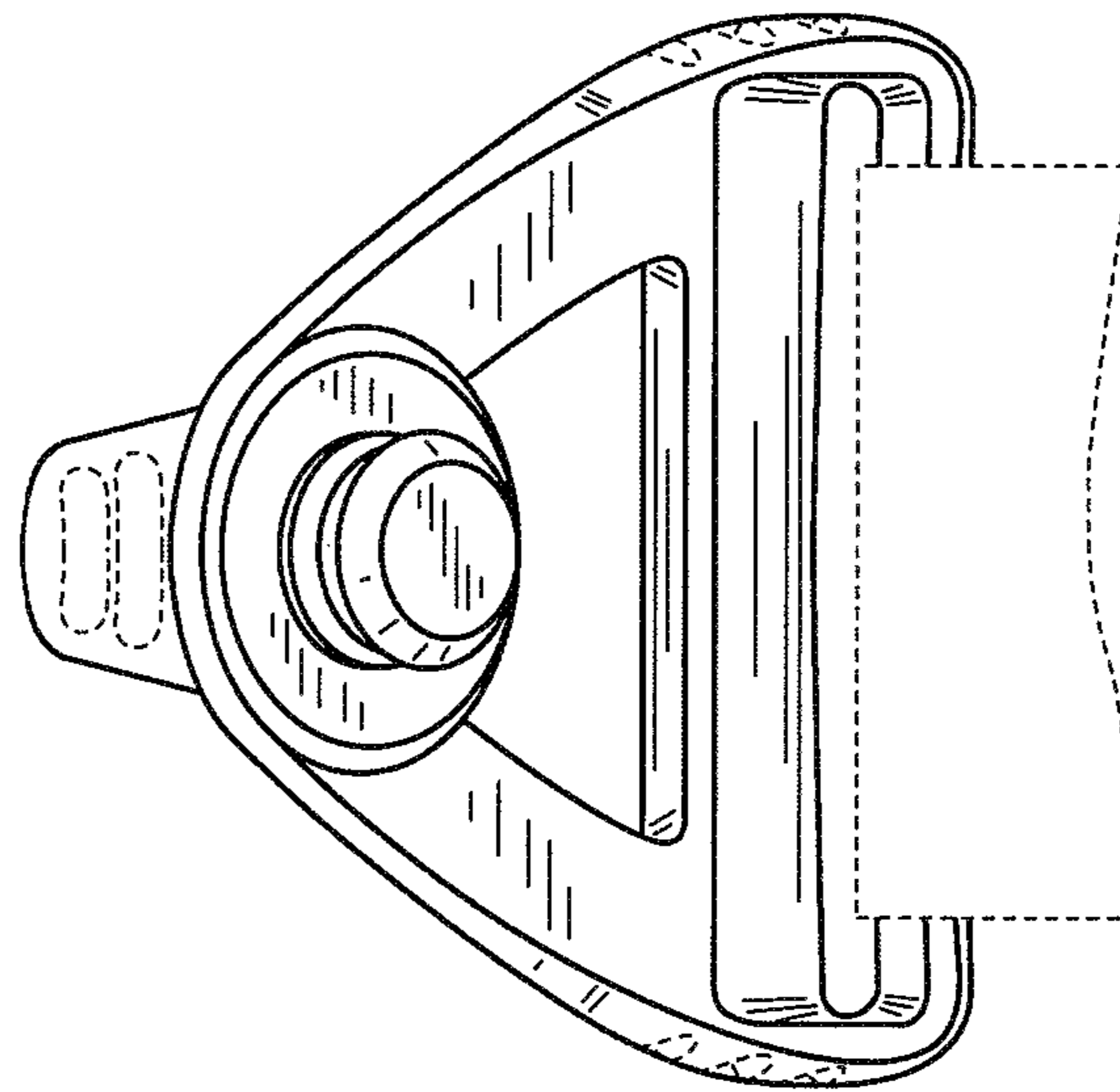


FIGURE 6

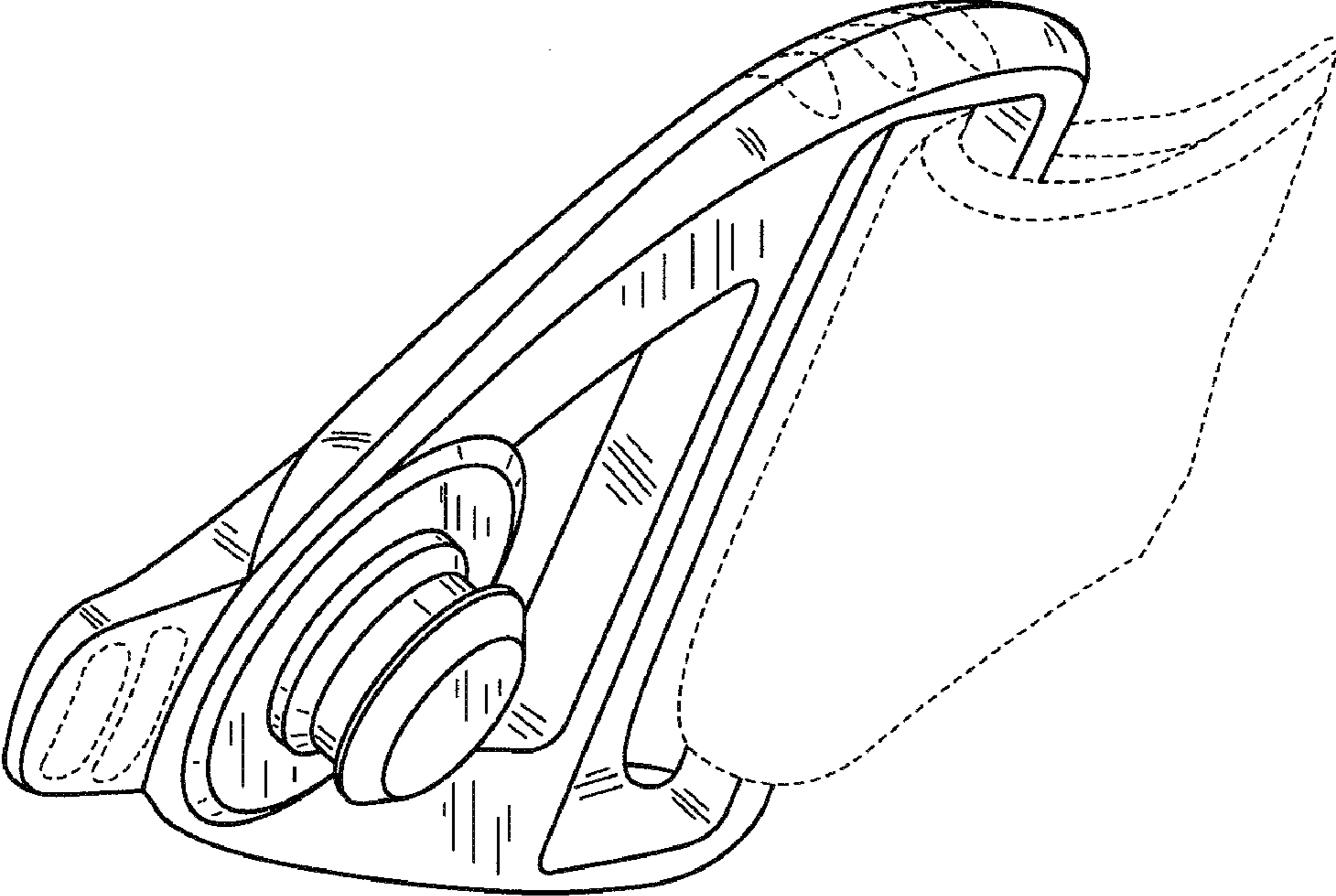


FIGURE 7