



US00D675243S

(12) **United States Design Patent**
Waller et al.

(10) **Patent No.:** **US D675,243 S**
(45) **Date of Patent:** **** Jan. 29, 2013**

(54) **GOGGLES**

(75) Inventors: **Tom Waller**, Nottingham (GB); **Chris Johnson**, Nottingham (GB); **Joseph Santry**, Nottingham (GB)

(73) Assignee: **Speedo International Limited**, London (GB)

(**) Term: **14 Years**

(21) Appl. No.: **29/422,910**

(22) Filed: **May 24, 2012**

(30) **Foreign Application Priority Data**

Nov. 28, 2011 (EM) 001954272-0002

(51) **LOC (9) Cl.** **16-06**

(52) **U.S. Cl.** **D16/311**

(58) **Field of Classification Search** D16/101,
D16/300-342, 900; D29/109-110; D24/110.2;
351/41, 44, 51-52, 62, 158, 92, 103-123,
351/140, 153, 45-46; 2/426-432, 447-449,
2/441, 434-437, 13, 15; D21/483, 659-661;
D14/372

See application file for complete search history.

(56) **References Cited**

U.S. PATENT DOCUMENTS

D377,039 S * 12/1996 Minamidani D16/311
D399,641 S * 10/1998 Meador D16/339

D422,615 S * 4/2000 Yoshizawa D16/303
D457,181 S * 5/2002 Chiang D16/303
D460,979 S * 7/2002 Chiang D16/311
D503,735 S * 4/2005 Harwell, IV D16/311
D523,462 S * 6/2006 Urabe D16/311
D574,032 S * 7/2008 Chiang D16/303
D592,238 S * 5/2009 Winn D16/339

* cited by examiner

Primary Examiner — Raphael Barkai

(74) *Attorney, Agent, or Firm* — Fross Zelnick Lehrman & Zissu, P.C.; Charles T. J. Weigell, Esq.

(57) **CLAIM**

The ornamental design for goggles, as shown and described.

DESCRIPTION

FIG. 1 is a front perspective view of goggles showing the new design;

FIG. 2 is a front view of the goggles shown in FIG. 1;

FIG. 3 is a rear view of the goggles shown in FIG. 1;

FIG. 4 is a left side view of the goggles shown in FIG. 1;

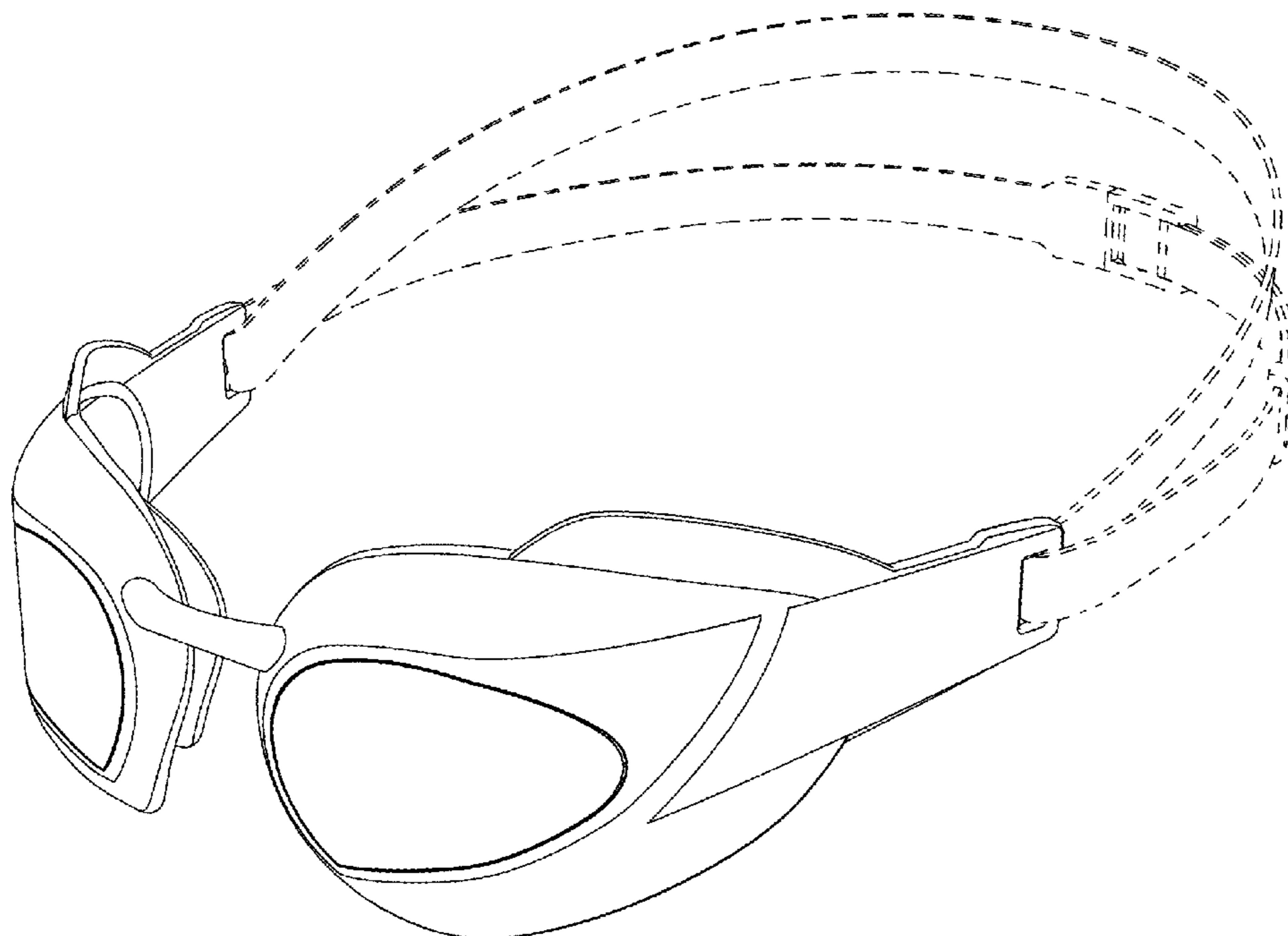
FIG. 5 is a right side view of the goggles shown in FIG. 1;

FIG. 6 is a top view of the goggles shown in FIG. 1; and,

FIG. 7 is a bottom view of the goggles shown in FIG. 1.

The broken lines showing of the strap shows unclaimed subject matter.

1 Claim, 7 Drawing Sheets



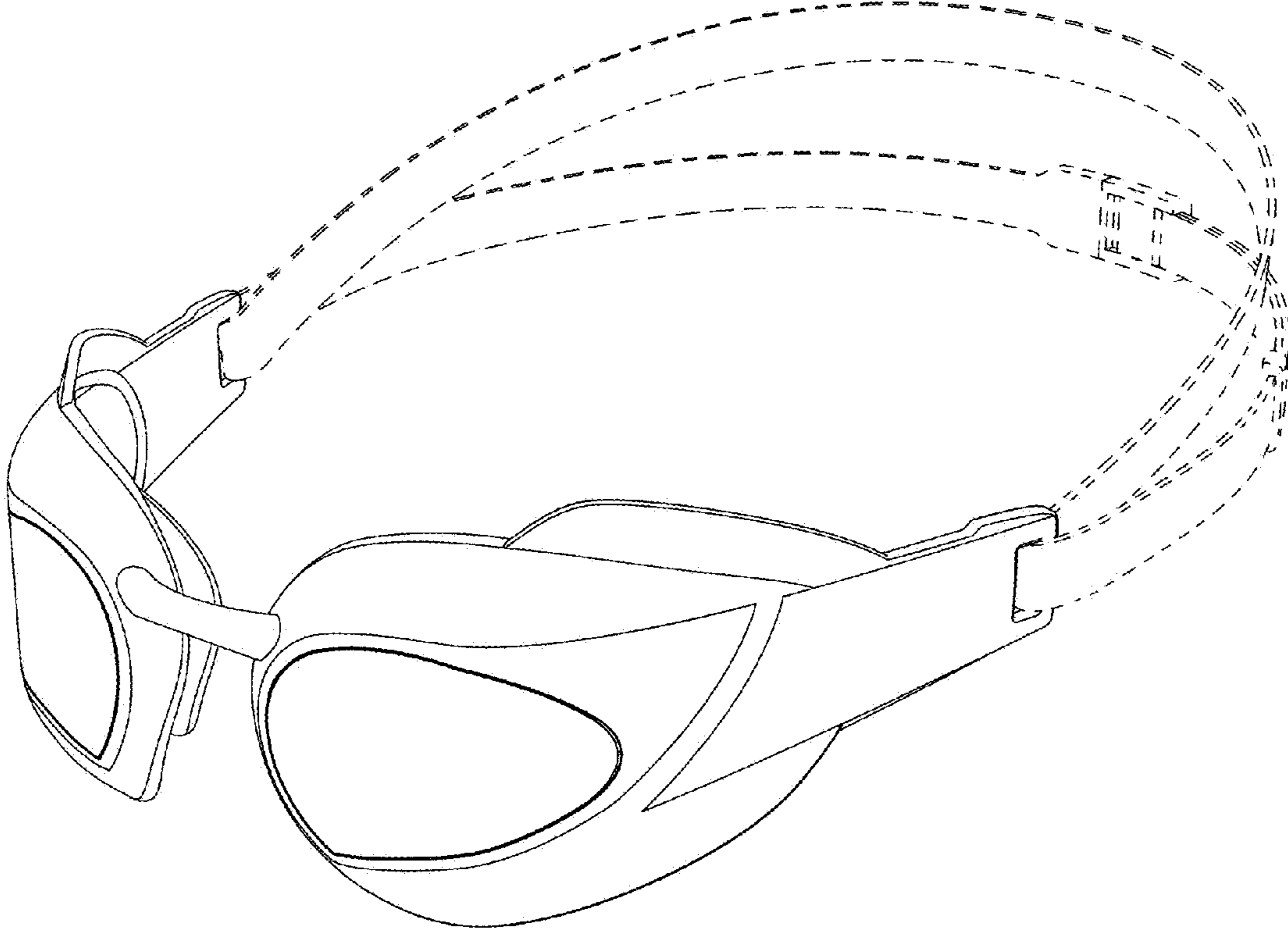


FIG. 1

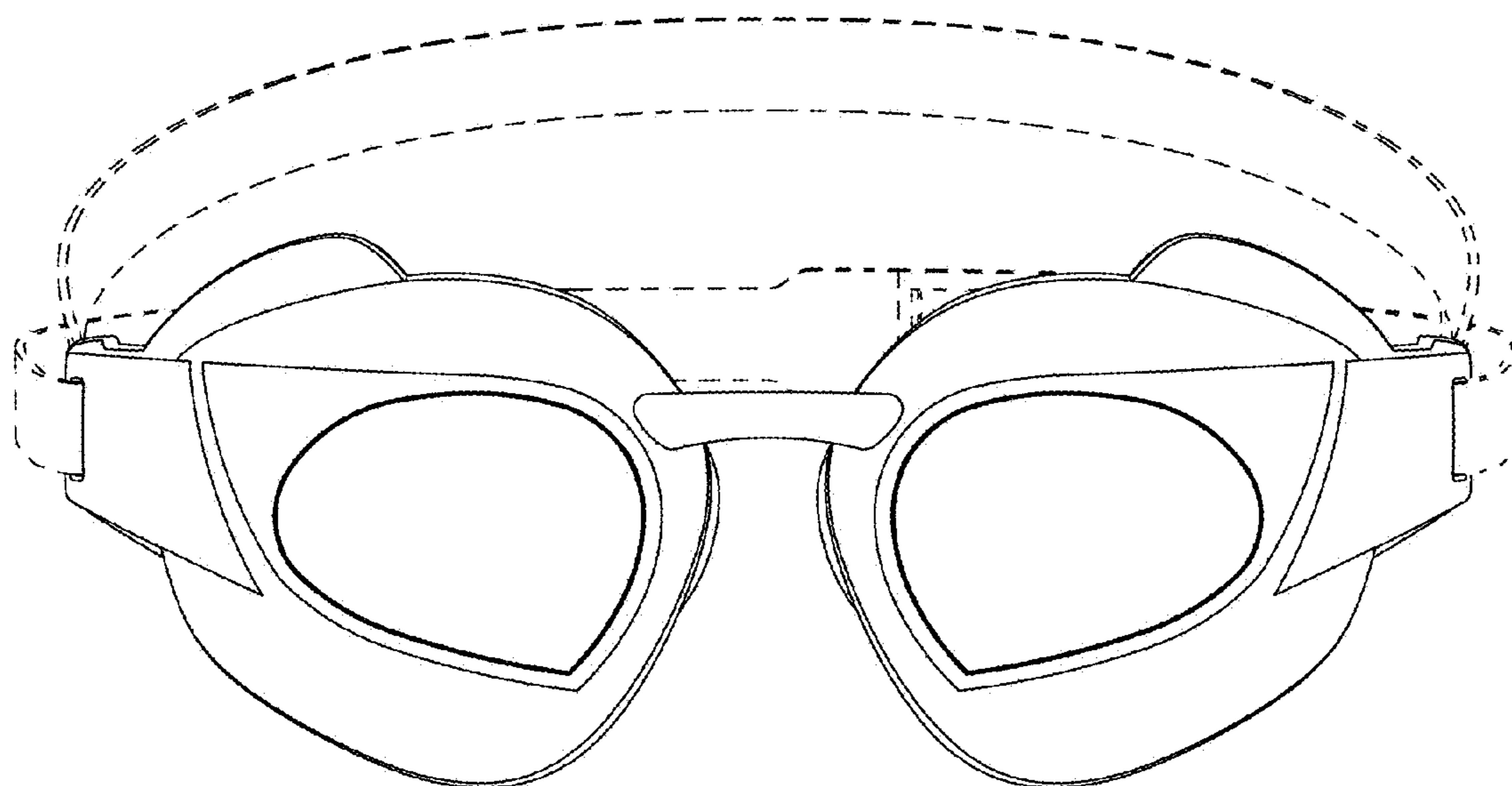


FIG. 2

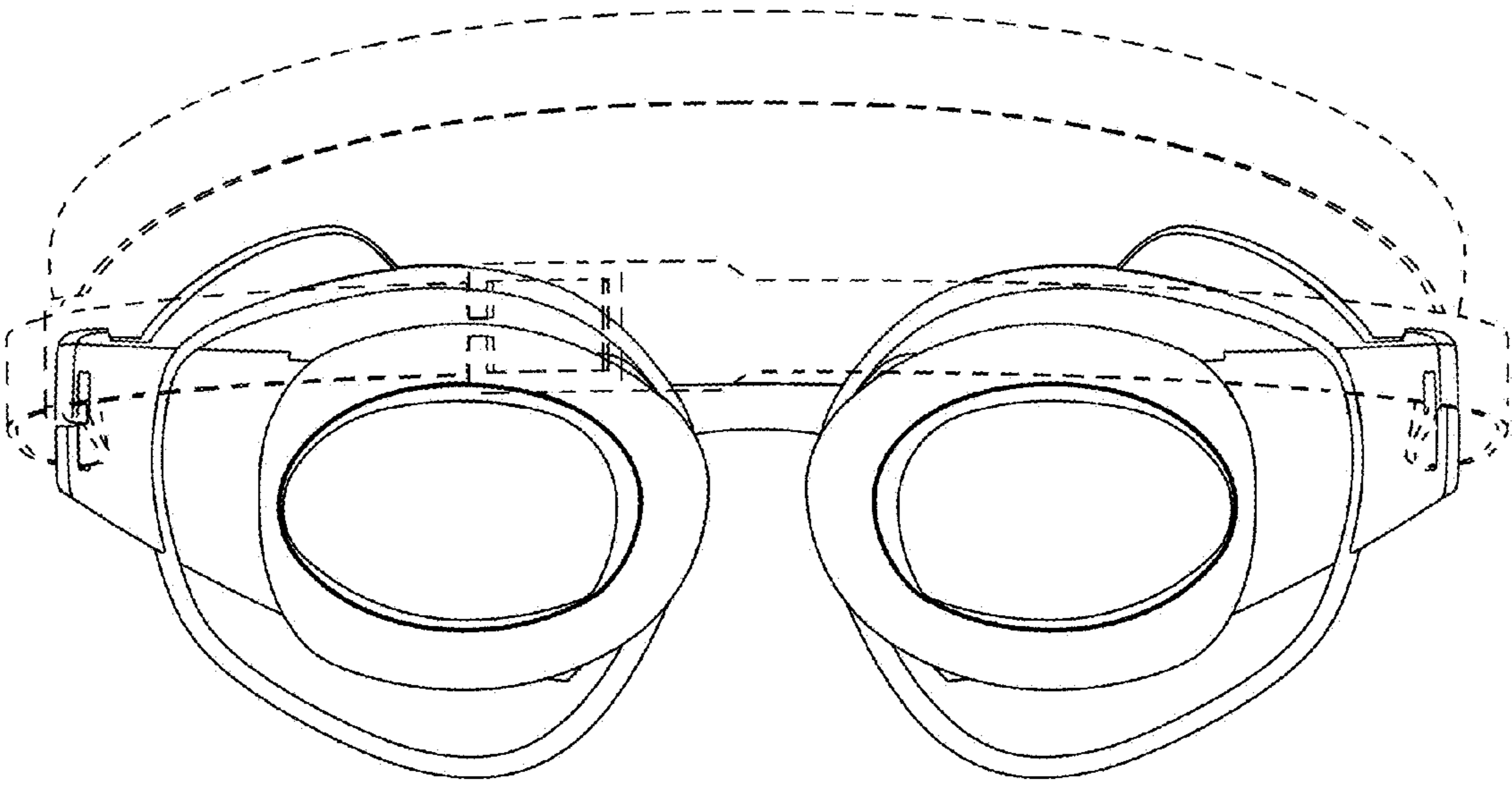


FIG. 3

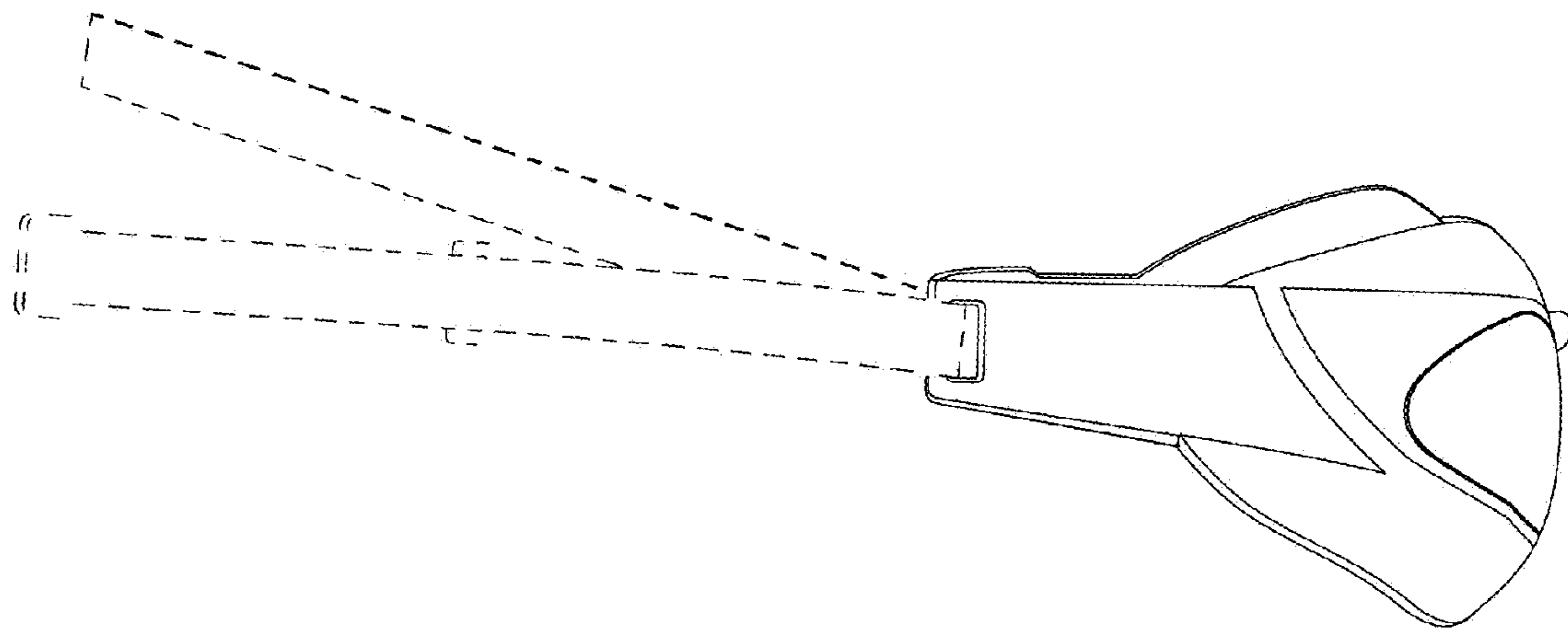


FIG. 4

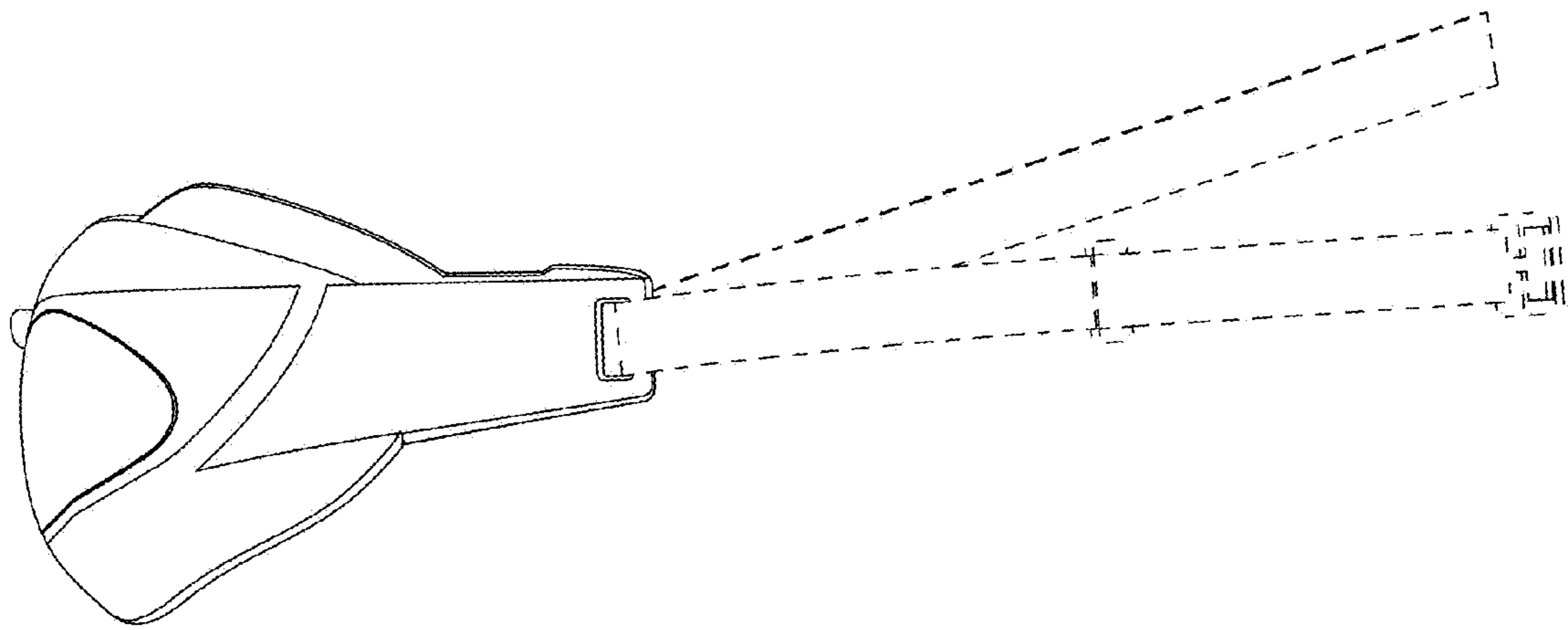


FIG. 5

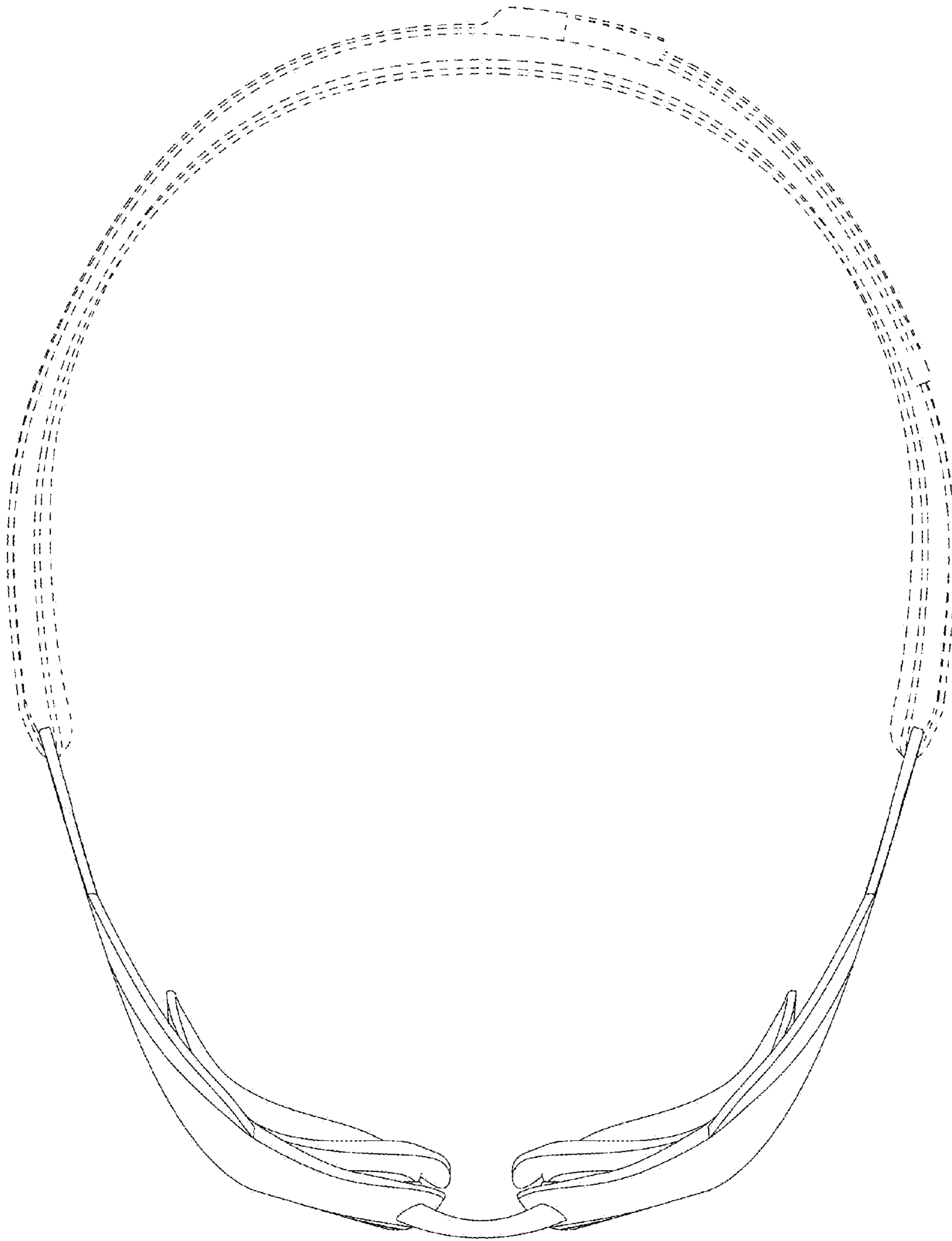


FIG. 6

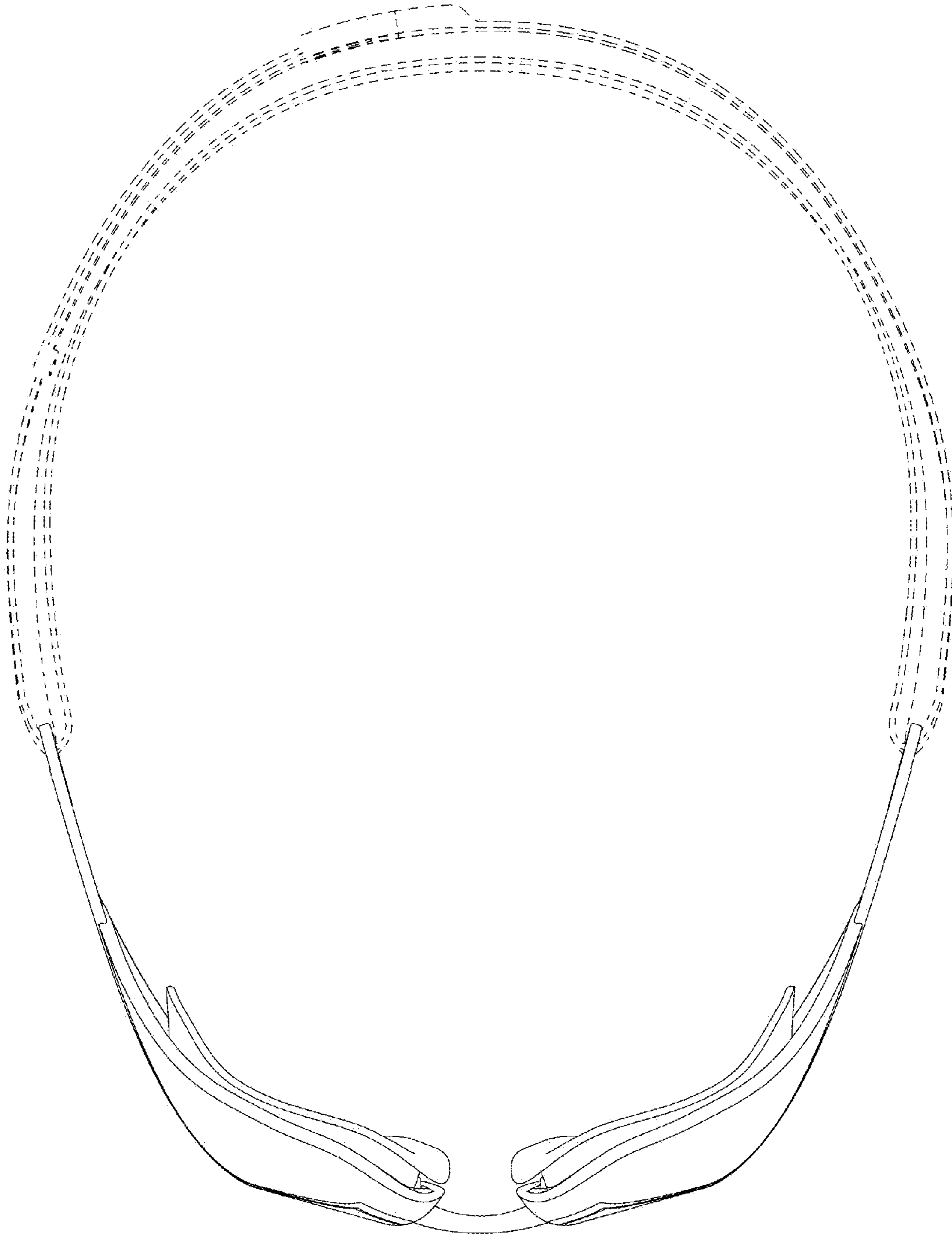


FIG. 7