



US00D675239S

(12) **United States Design Patent**  
**Wunnicke et al.**

(10) **Patent No.:** **US D675,239 S**  
(45) **Date of Patent:** **\*\* Jan. 29, 2013**

(54) **SPOTTING SCOPE**

(75) Inventors: **Michael Wunnicke**, Sherwood, OR  
(US); **Todd Juenemann**, Hillsboro, OR  
(US); **David D. Lewin**, Portland, OR  
(US)

(73) Assignee: **Leupold & Stevens, Inc.**, Beaverton,  
OR (US)

(\*\*) Term: **14 Years**

(21) Appl. No.: **29/405,365**

(22) Filed: **Nov. 1, 2011**

(51) **LOC (9) Cl.** ..... **16-06**

(52) **U.S. Cl.** ..... **D16/132**

(58) **Field of Classification Search** ..... D16/132;  
359/407-409, 411-420, 422, 425, 429, 804,  
359/809, 816, 835, 831, 827, 399  
See application file for complete search history.

(56) **References Cited**

U.S. PATENT DOCUMENTS

D123,486 S *	11/1940	Miles .....	D16/132
D159,719 S *	8/1950	Davidson .....	D16/132
D165,231 S *	11/1951	Kiefer, III et al. ....	D16/132
D215,355 S *	9/1969	Weatherby .....	D16/132
4,408,842 A *	10/1983	Gibson .....	359/422
D272,916 S *	3/1984	Tomatsuri et al. ....	D16/132
D285,698 S *	9/1986	Ogasawara .....	D16/132
D285,802 S *	9/1986	Ogasawara .....	D16/132
D288,210 S *	2/1987	Mise .....	D16/132
4,669,833 A *	6/1987	Mise .....	359/420
D374,021 S *	9/1996	Meinzer .....	D16/132
D374,022 S *	9/1996	Meinzer .....	D16/132
D395,440 S *	6/1998	Ogasawara et al. ....	D16/132
5,946,132 A *	8/1999	Phillips .....	359/351
D417,680 S *	12/1999	Diebel et al. ....	D16/132
D454,898 S *	3/2002	Ogasawara et al. ....	D16/132
D479,255 S *	9/2003	Hamamura .....	D16/132
D482,709 S *	11/2003	Meinzer .....	D16/132
D512,449 S *	12/2005	Regan et al. ....	D16/132
D513,274 S *	12/2005	Chen .....	D16/132
D534,193 S *	12/2006	Ono .....	D16/132

D550,263 S *	9/2007	Zhou .....	D16/132
D572,740 S *	7/2008	Kitera .....	D16/132
D587,290 S *	2/2009	Meinzer .....	D16/132
D594,493 S *	6/2009	Chujo et al. ....	D16/132
D594,494 S *	6/2009	Chujo et al. ....	D16/132
D595,754 S *	7/2009	Hamilton .....	D16/132

\* cited by examiner

*Primary Examiner* — Paula Greene

(74) *Attorney, Agent, or Firm* — Stoel Rives LLP

(57) **CLAIM**

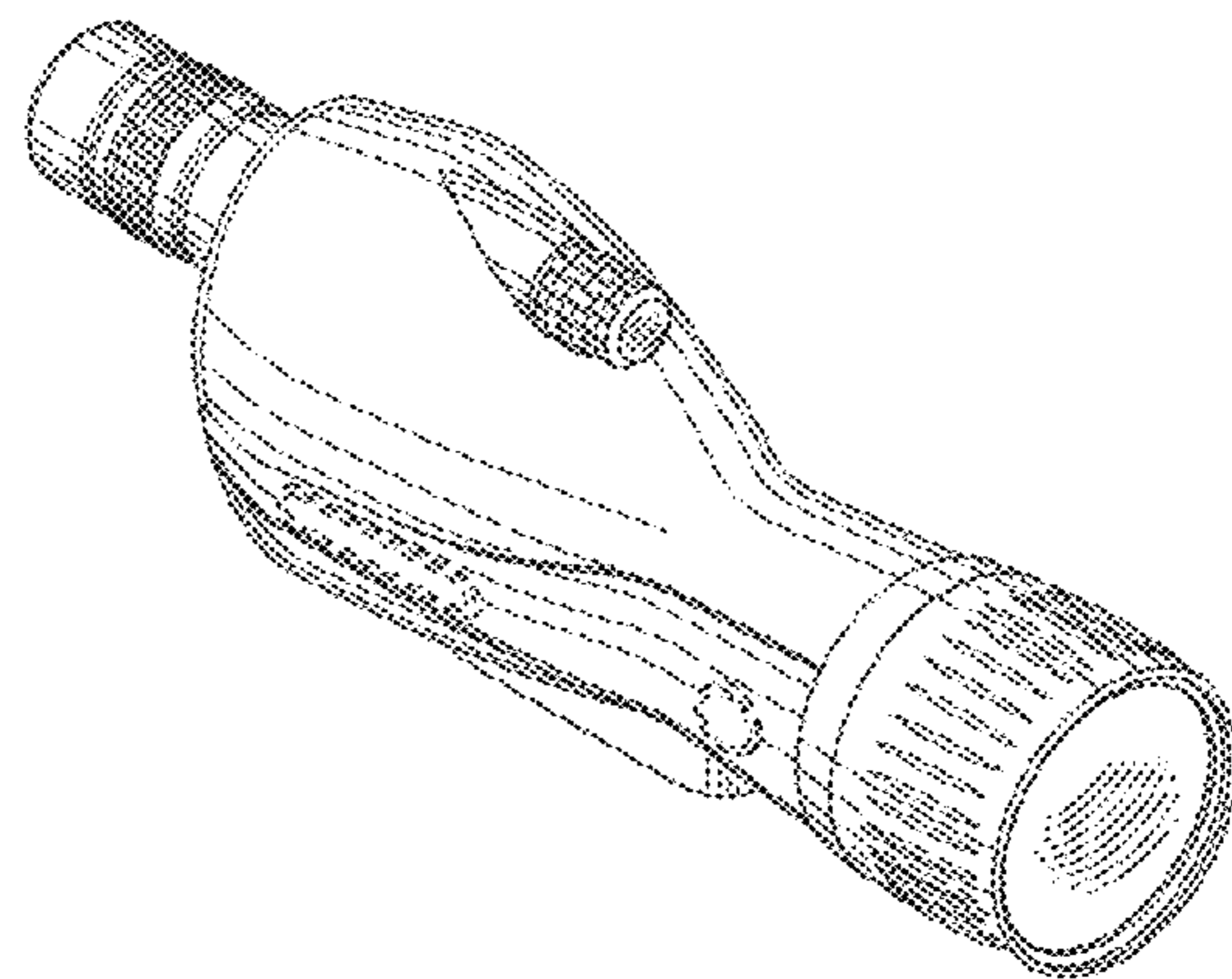
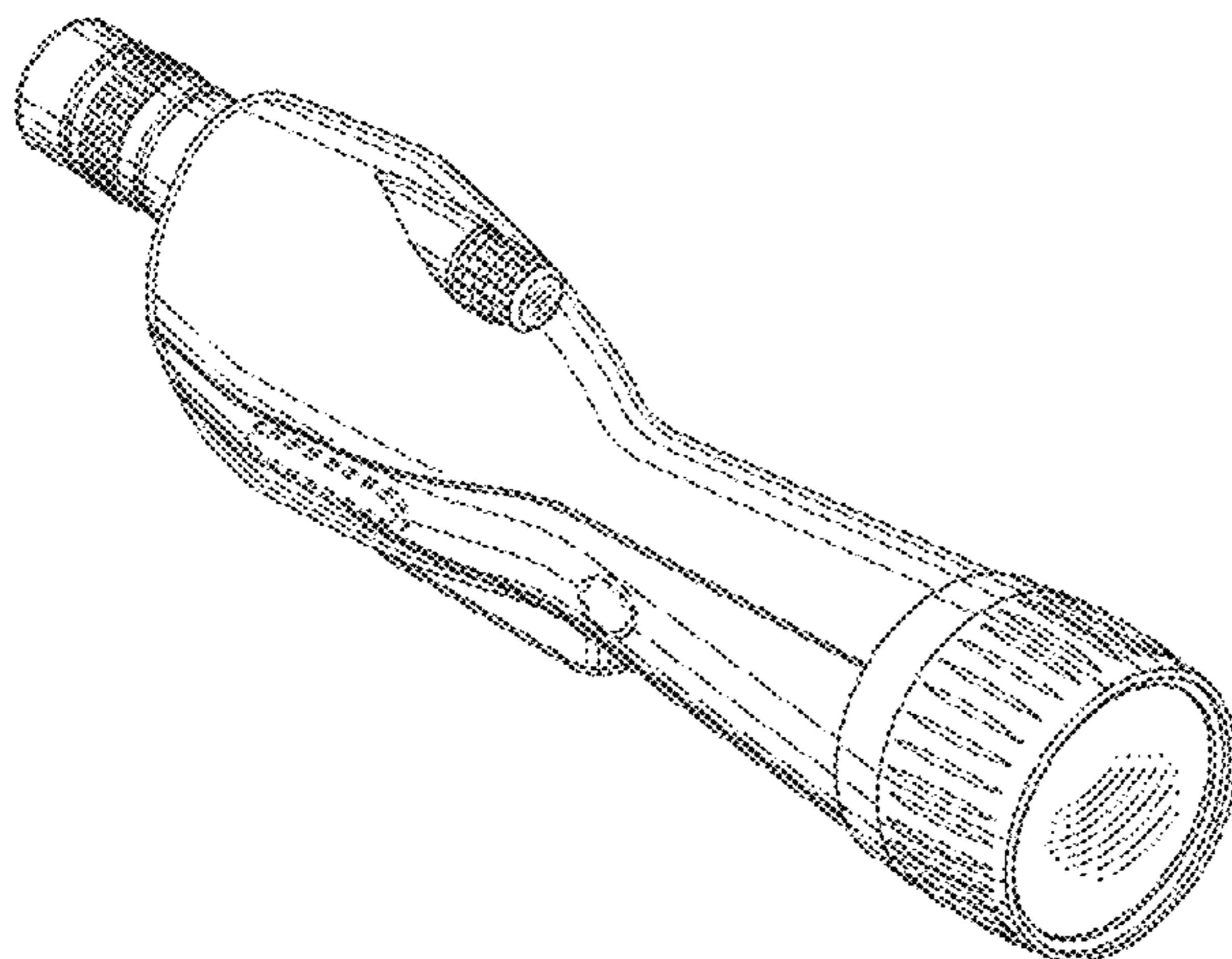
We claim the ornamental design for a spotting scope, as shown and described.

**DESCRIPTION**

FIG. 1 is an isometric view of a spotting scope showing our new design;  
 FIG. 2 is an opposite isometric view thereof;  
 FIG. 3 is a top plan view thereof;  
 FIG. 4 is a left side elevational view, the right side is a mirror image thereof;  
 FIG. 5 is a bottom plan view thereof;  
 FIG. 6 is an end elevational view thereof;  
 FIG. 7 is an opposite end elevational view thereof;  
 FIG. 8 is an isometric view of a second embodiment of a spotting scope showing our new design;  
 FIG. 9 is an opposite isometric view thereof;  
 FIG. 10 is a top plan view thereof;  
 FIG. 11 is a left side elevational view thereof, the right side is a mirror image;  
 FIG. 12 is a bottom plan view thereof;  
 FIG. 13 is an end elevational view thereof; and,  
 FIG. 14 is an opposite end elevational view thereof.

In the figures, the broken lines showing circular and rounded-rectangular branding medallions on side surfaces are illustrative of environmental structure that forms no part of the claimed design. In FIGS. 5 and 12, the broken lines showing screws and apertures are illustrative of environmental structure that forms no part of the claimed design.

**1 Claim, 6 Drawing Sheets**



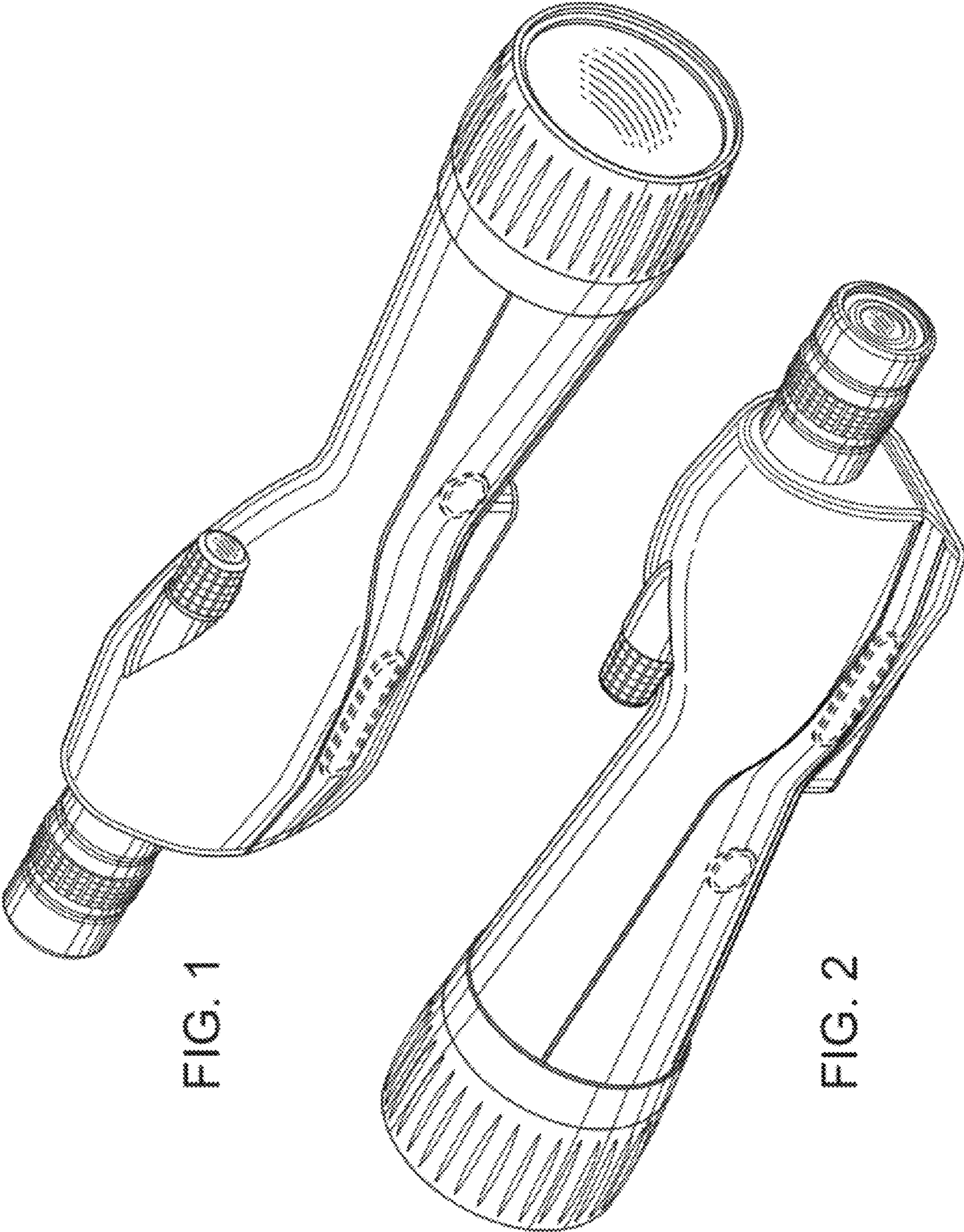


FIG. 1

FIG. 2

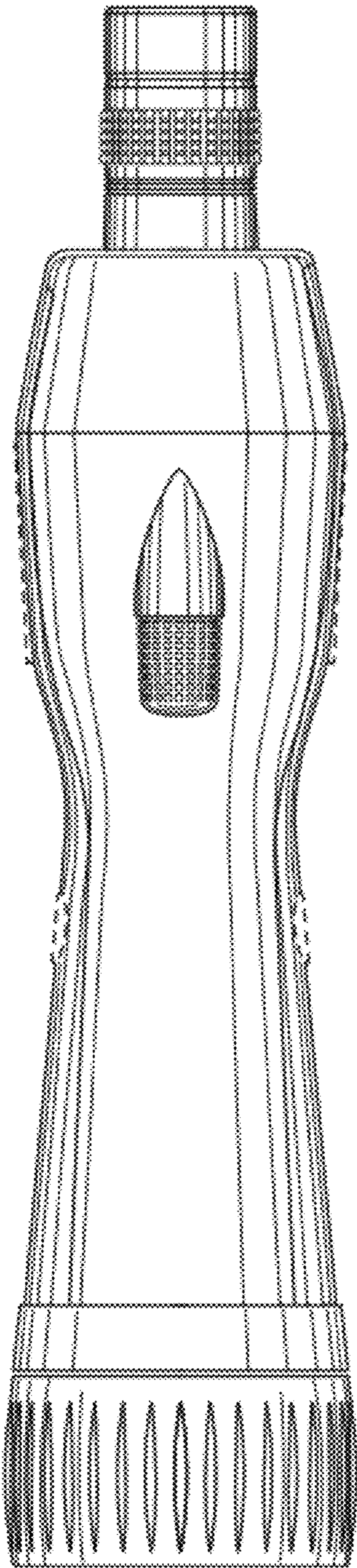


FIG. 3

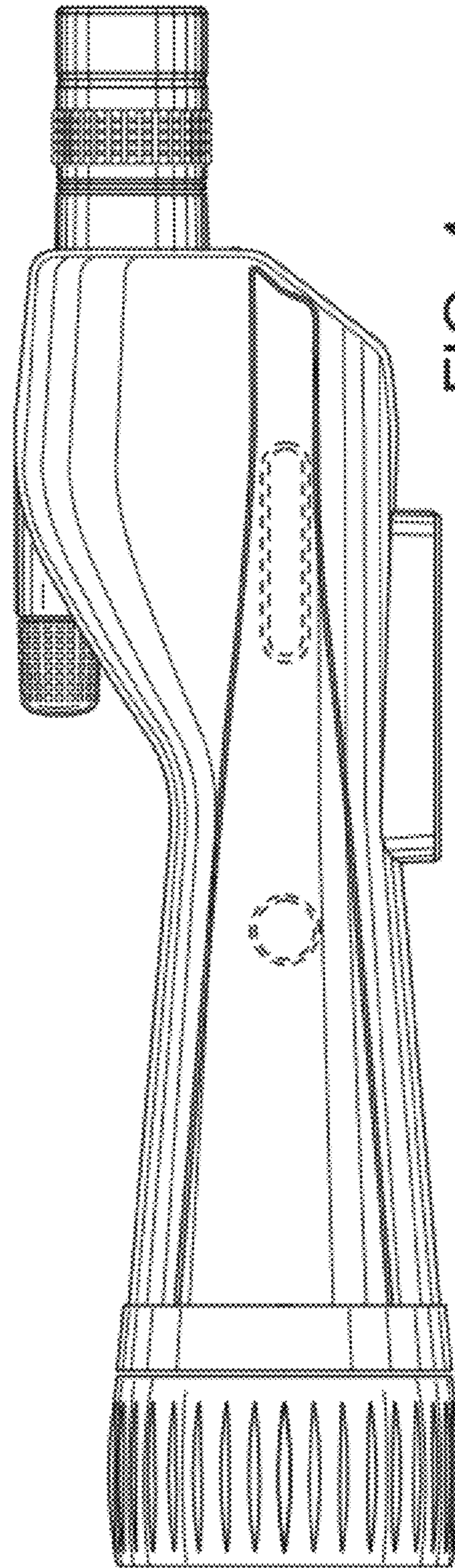


FIG. 4

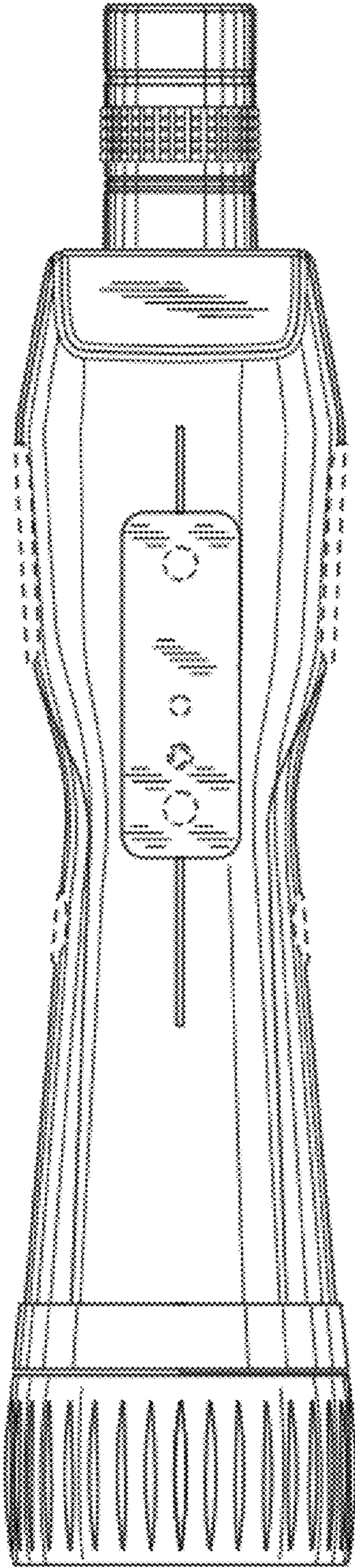


FIG. 5

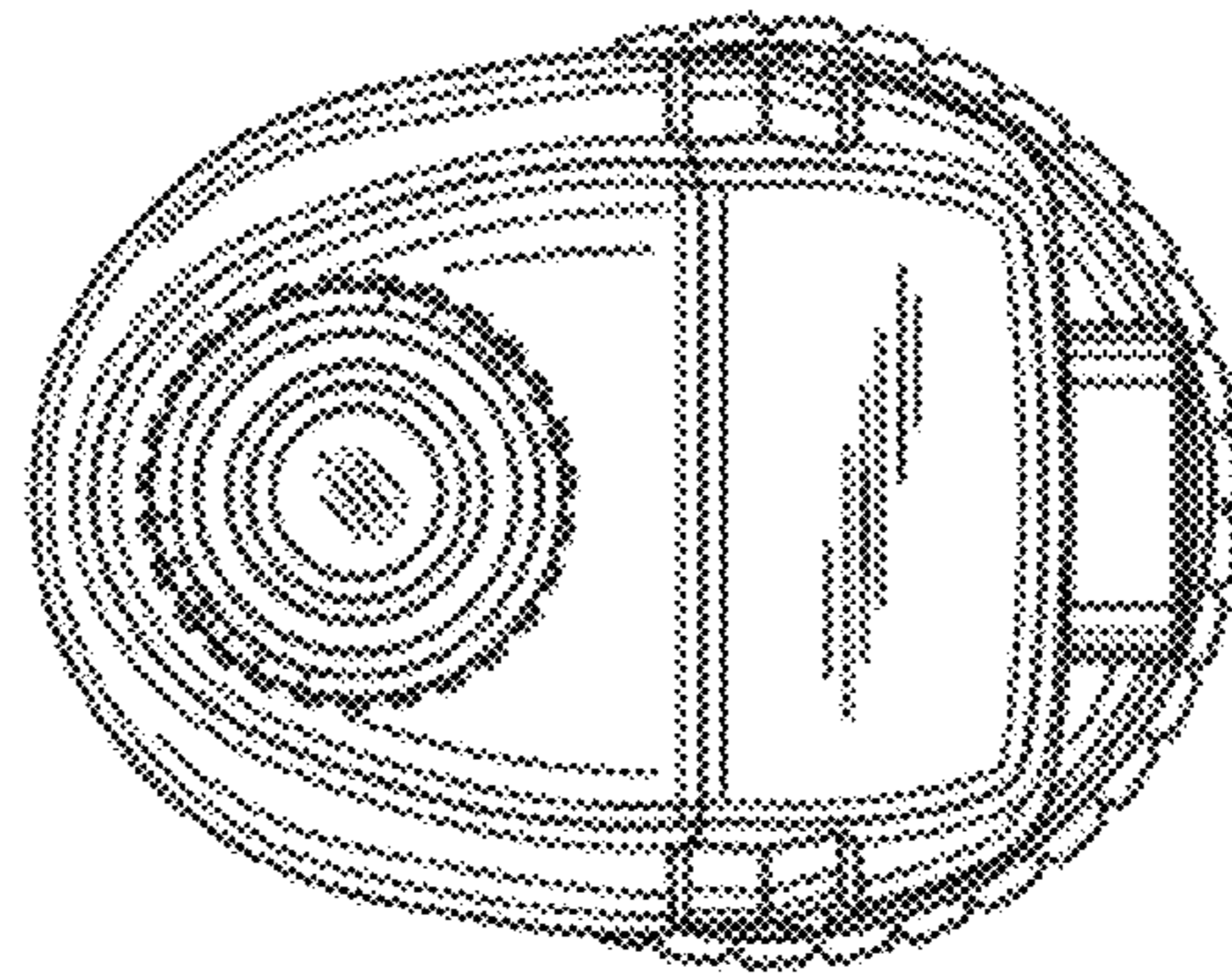


FIG. 6

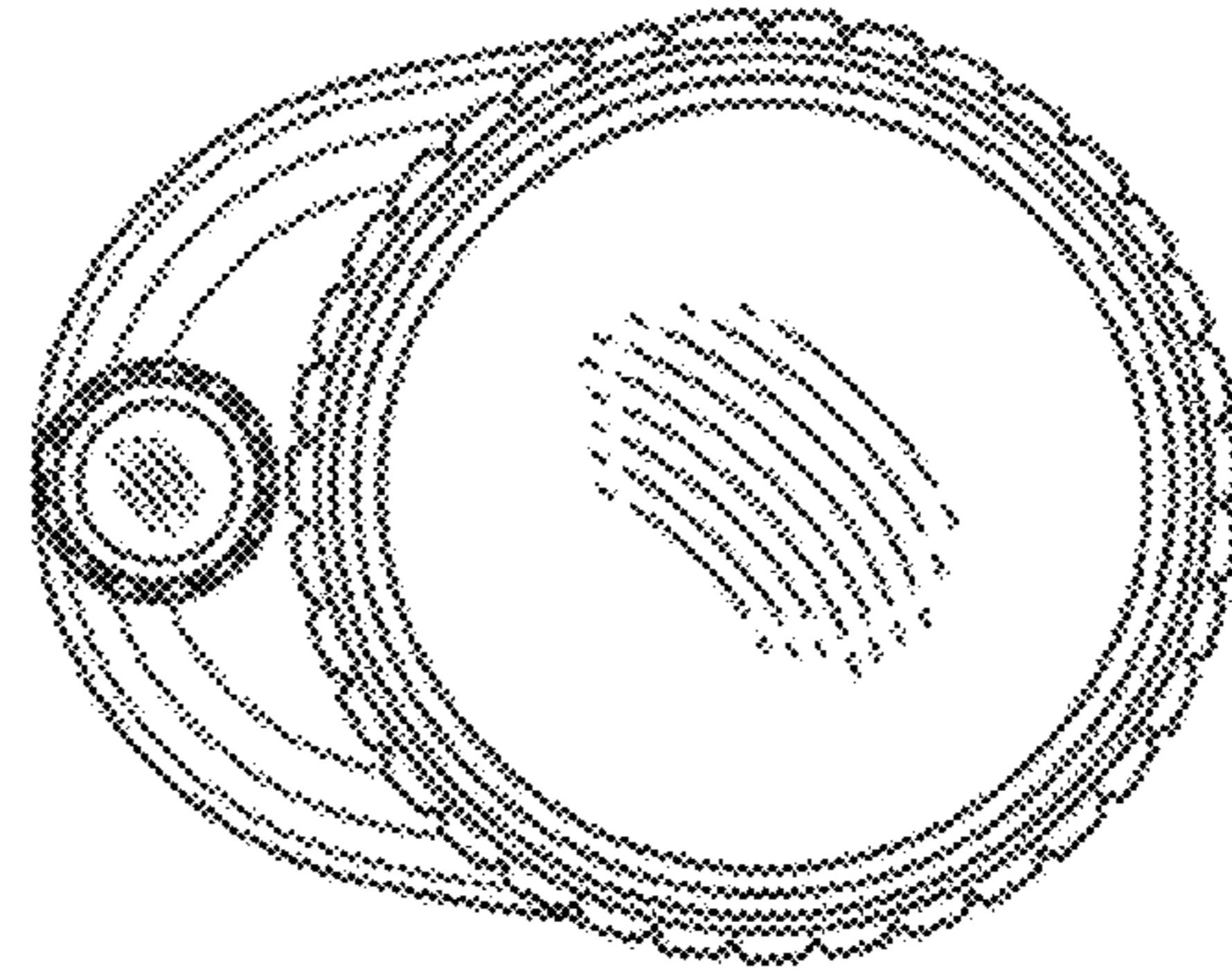


FIG. 7

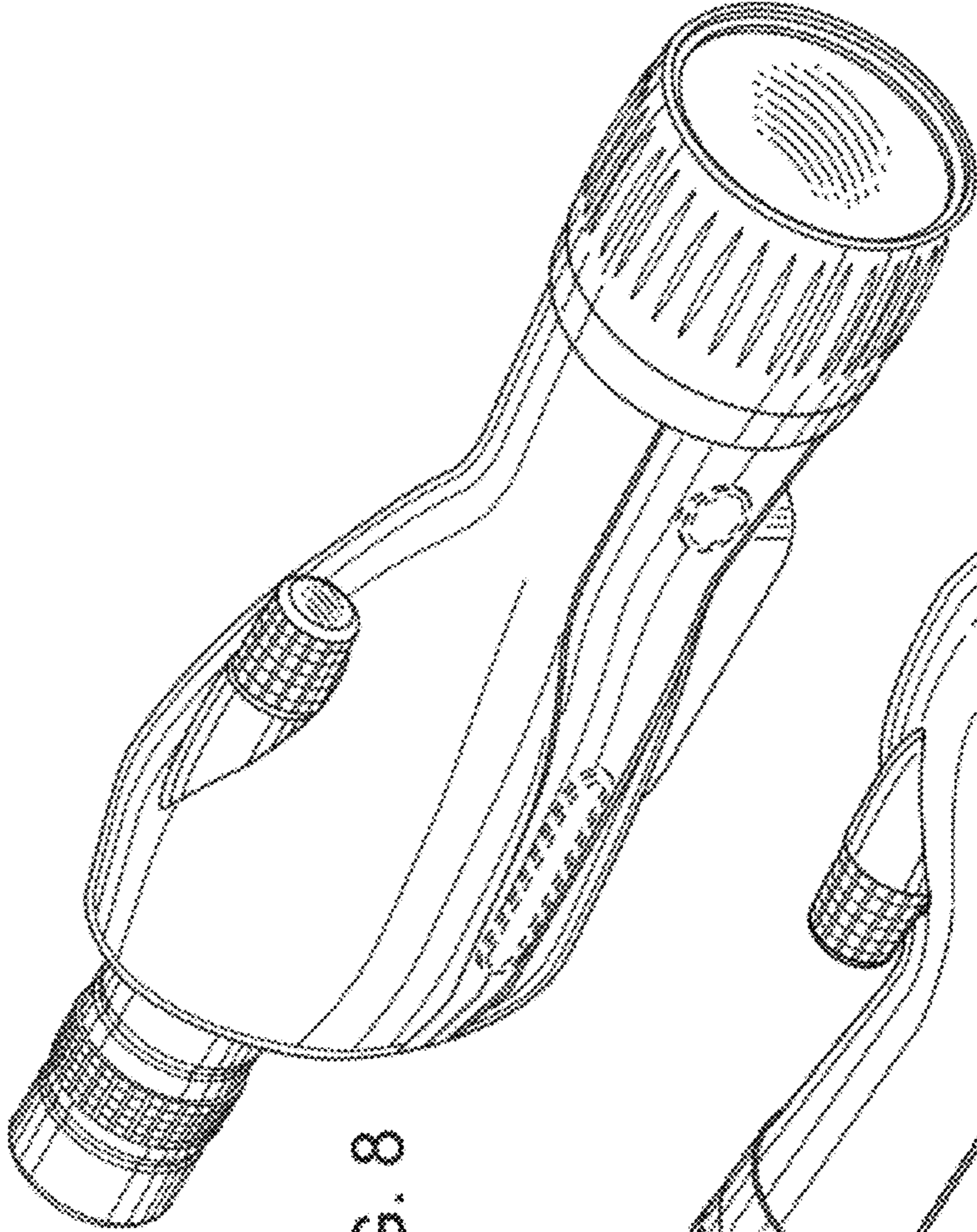


FIG. 8

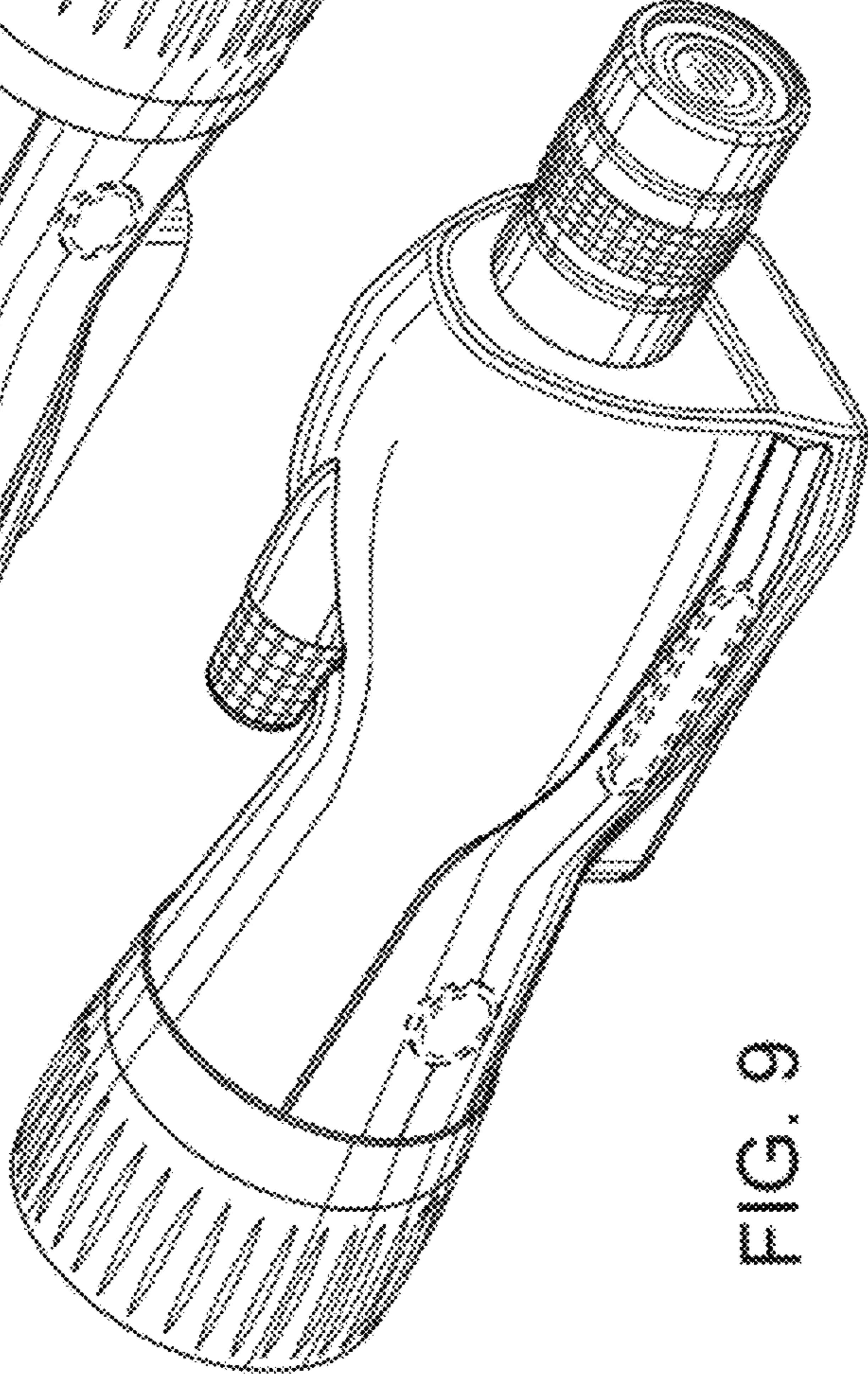


FIG. 9

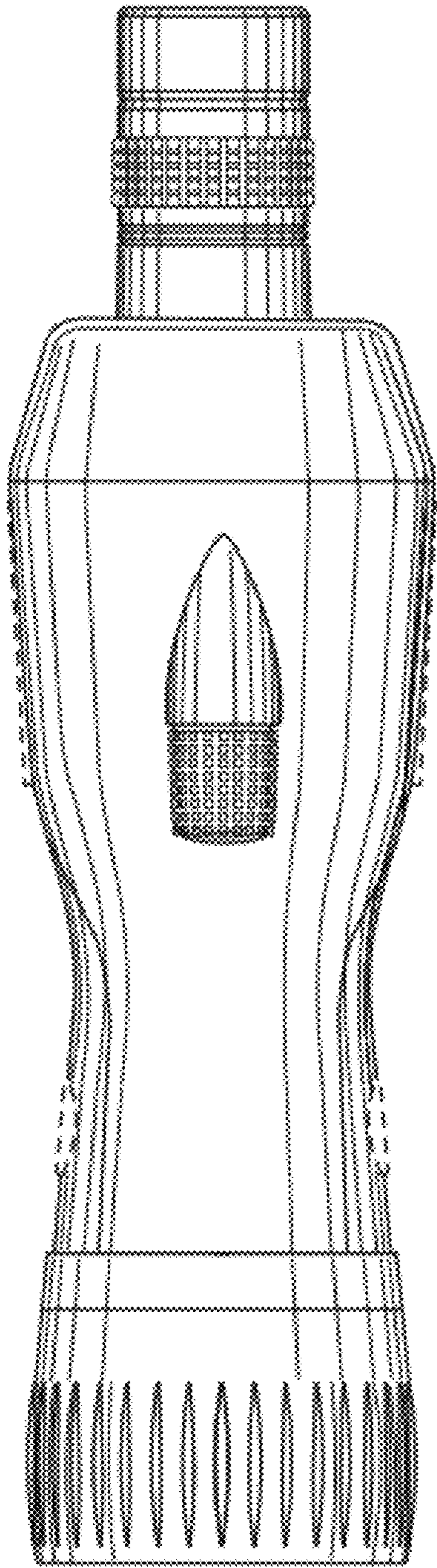


FIG. 10

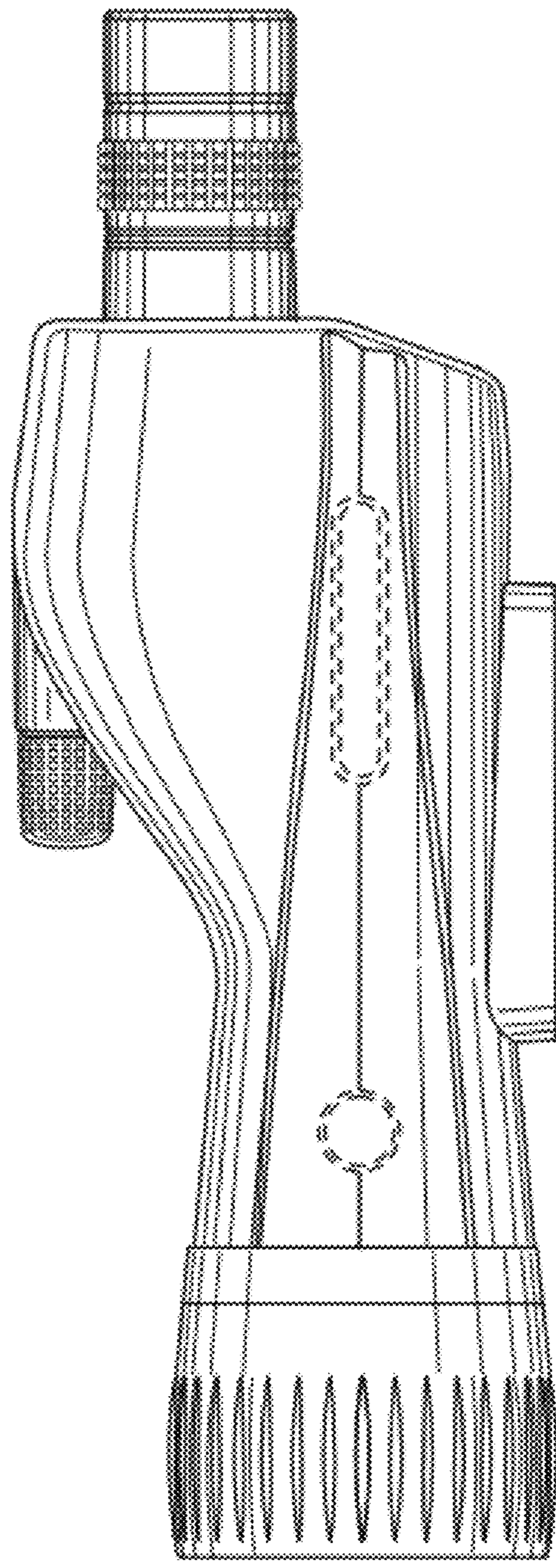


FIG. 11

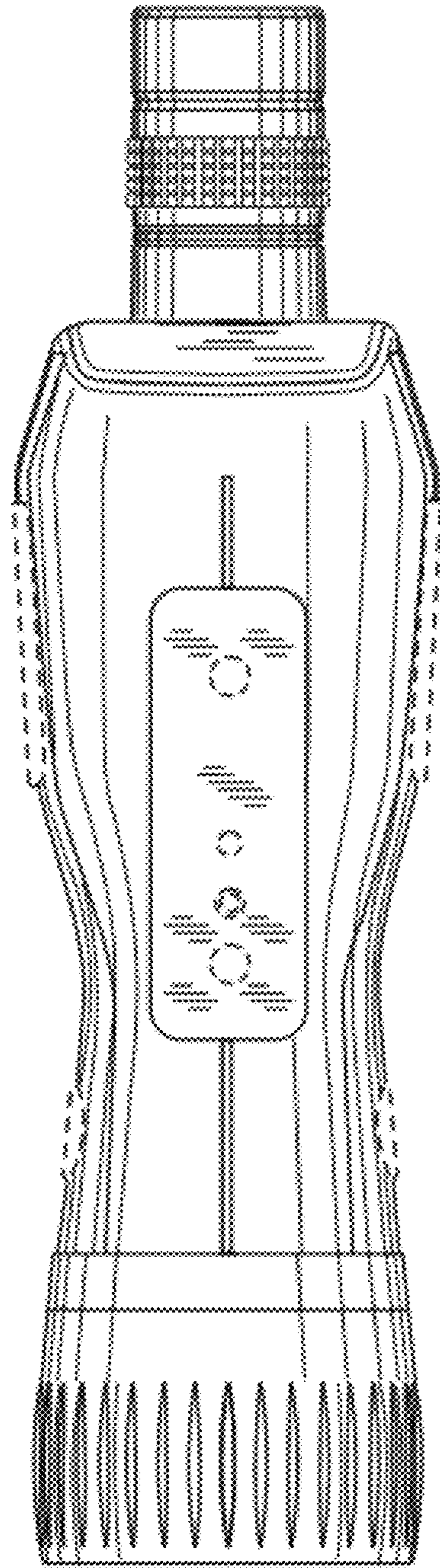


FIG. 12

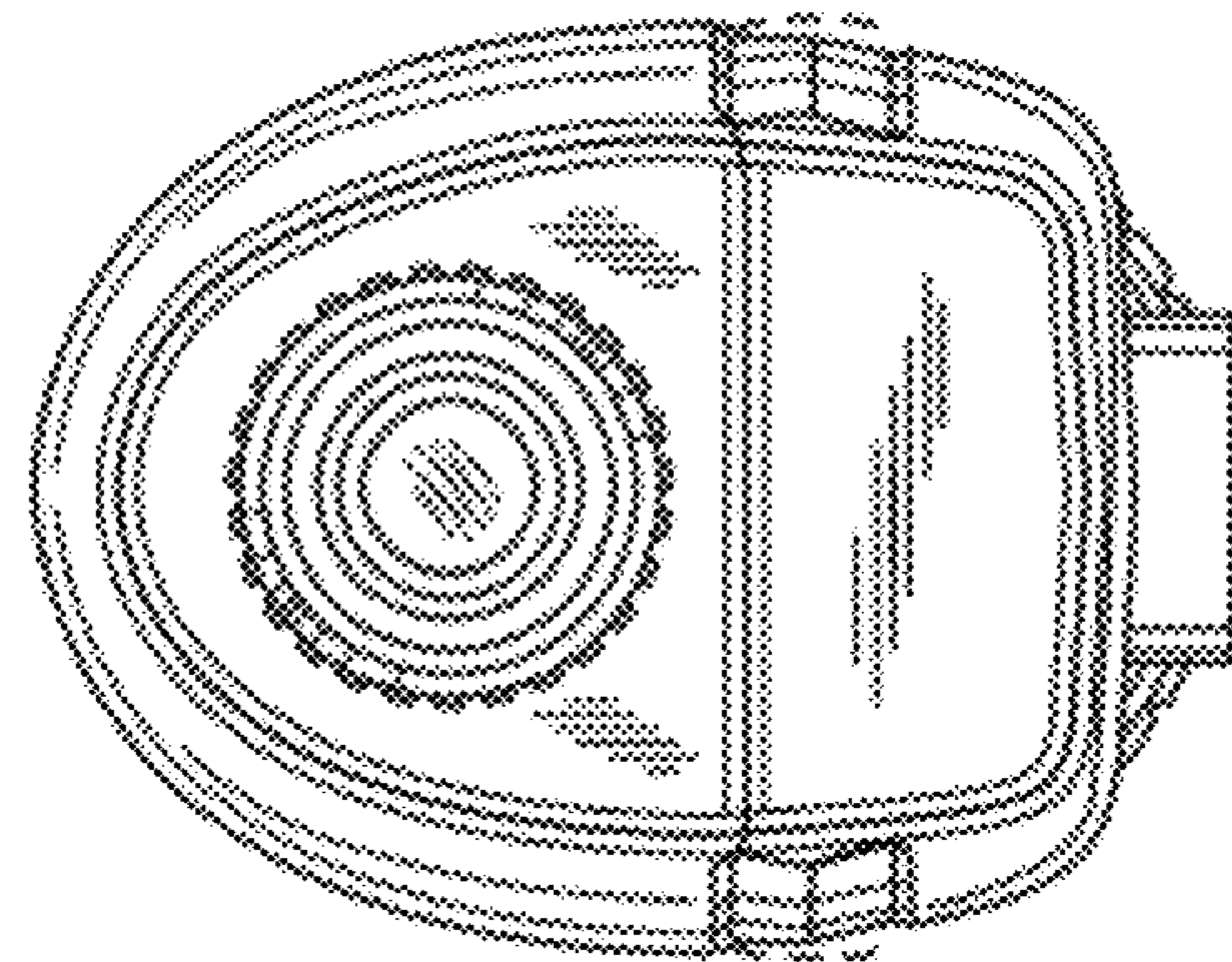


FIG. 13

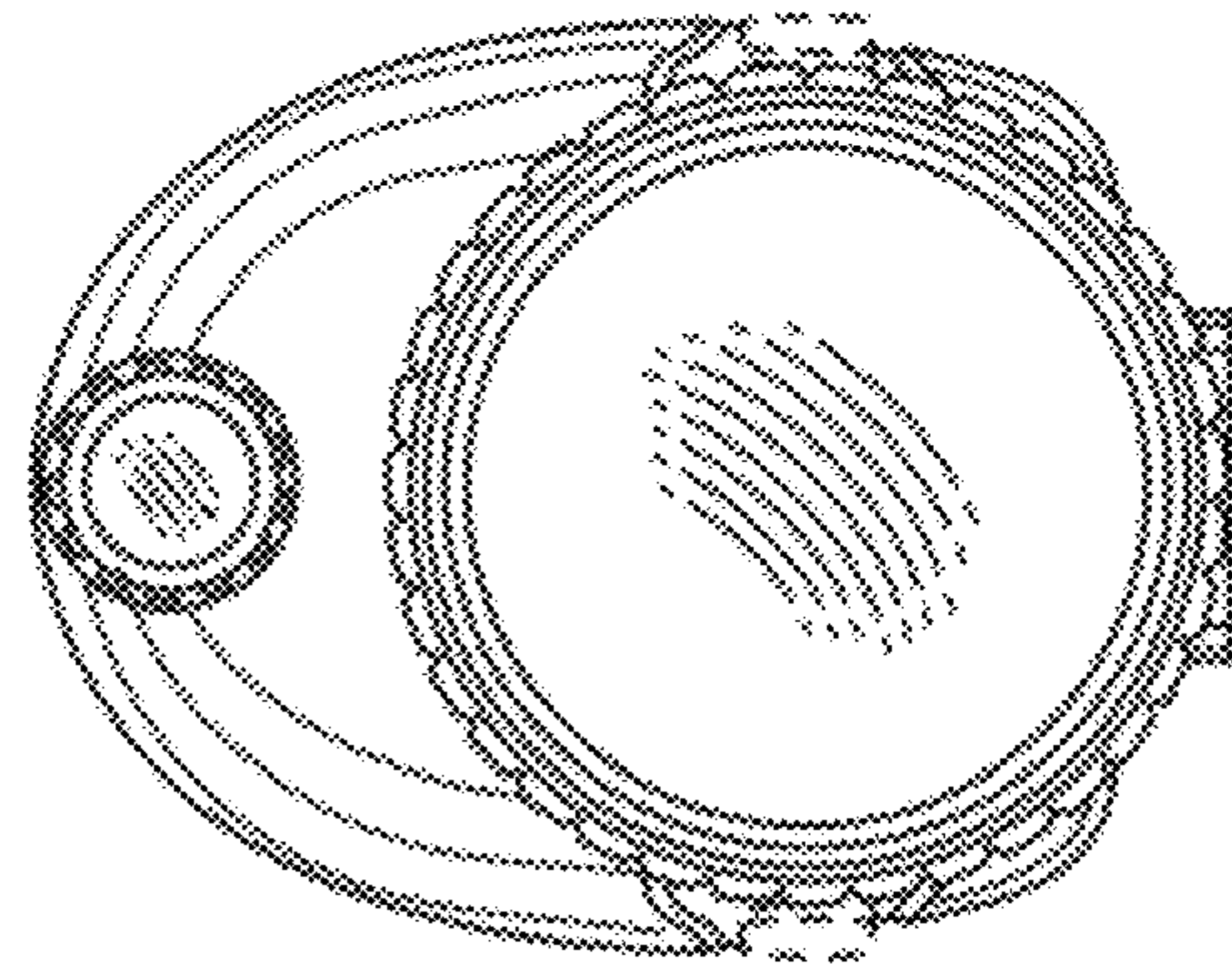


FIG. 14