



US00D675236S

(12) **United States Design Patent**
Cairns

(10) **Patent No.:** **US D675,236 S**

(45) **Date of Patent:** **** Jan. 29, 2013**

(54) **CUTTING ELEMENT FOR STUMP GRINDER**

(76) Inventor: **Keith Cairns**, Olympia, WA (US)

(**) Term: **14 Years**

(21) Appl. No.: **29/422,295**

(22) Filed: **May 18, 2012**

(51) **LOC (9) Cl.** **15-09**

(52) **U.S. Cl.** **D15/127**

(58) **Field of Classification Search** D8/47;
D15/28, 127, 130, 131; 144/24.1, 24.12,
144/218, 235, 334, 382, 1

See application file for complete search history.

(56) **References Cited**

U.S. PATENT DOCUMENTS

3,336,958	A *	8/1967	Carlton	144/24.12
5,365,986	A *	11/1994	Hooser	144/231
5,743,314	A	4/1998	Puch		
6,138,725	A *	10/2000	Leonardi et al.	144/235
D433,428	S *	11/2000	Pullen	D15/127
D457,172	S *	5/2002	Bautz et al.	D15/28
6,484,766	B1 *	11/2002	Falatok et al.	144/24.12
7,418,986	B2	9/2008	Watts		

2007/0079900	A1 *	4/2007	Stager et al.	144/235
2009/0159155	A1	6/2009	Watts		
2010/0193079	A1 *	8/2010	Gossett	144/241
2011/0100508	A1 *	5/2011	Fraley et al.	144/24.12
2012/0024425	A1 *	2/2012	Leonardi et al.	144/241

* cited by examiner

Primary Examiner — Patricia Palasik

(74) *Attorney, Agent, or Firm* — Schwabe, Williamson & Wyatt

(57) **CLAIM**

I claim the ornamental design for the cutting element for stump grinder, as shown and described.

DESCRIPTION

FIG. 1 is a perspective view of a cutting element for stump grinder;

FIG. 2 is a front view thereof;

FIG. 3 is a back view thereof;

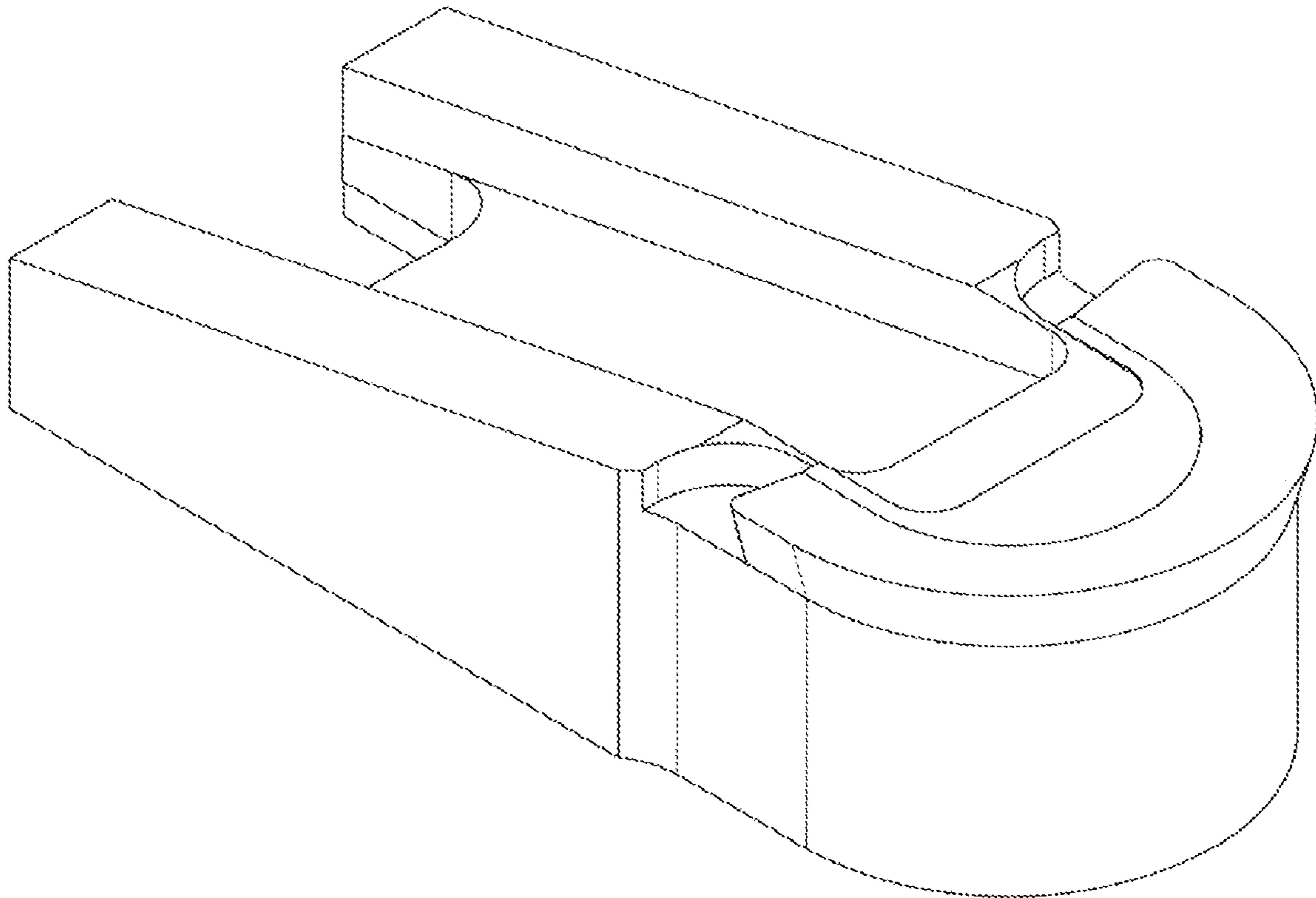
FIG. 4 is a left side view thereof;

FIG. 5 is a right side view thereof;

FIG. 6 is a top view thereof; and,

FIG. 7 is a bottom view thereof.

1 Claim, 4 Drawing Sheets



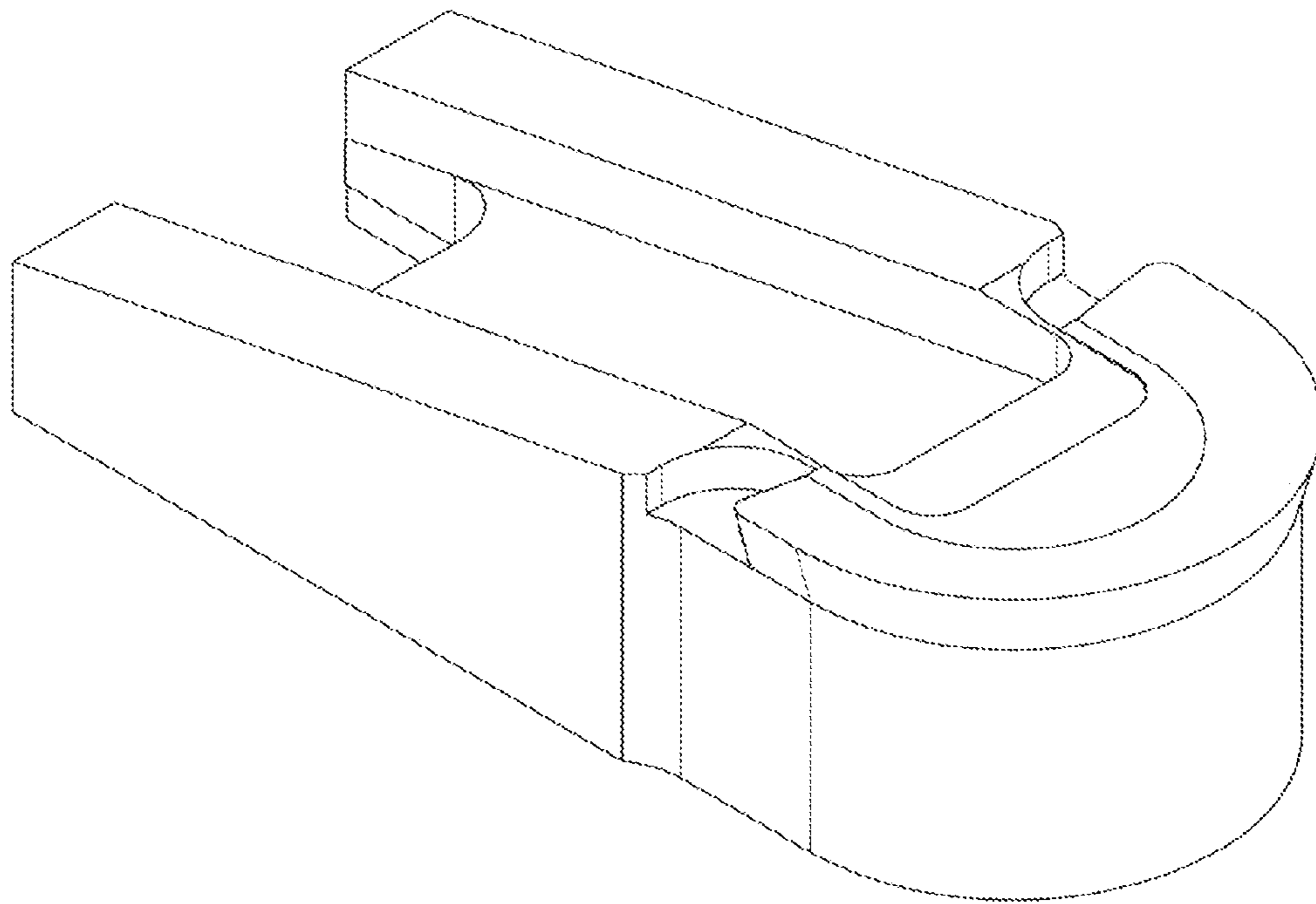


FIG. 1

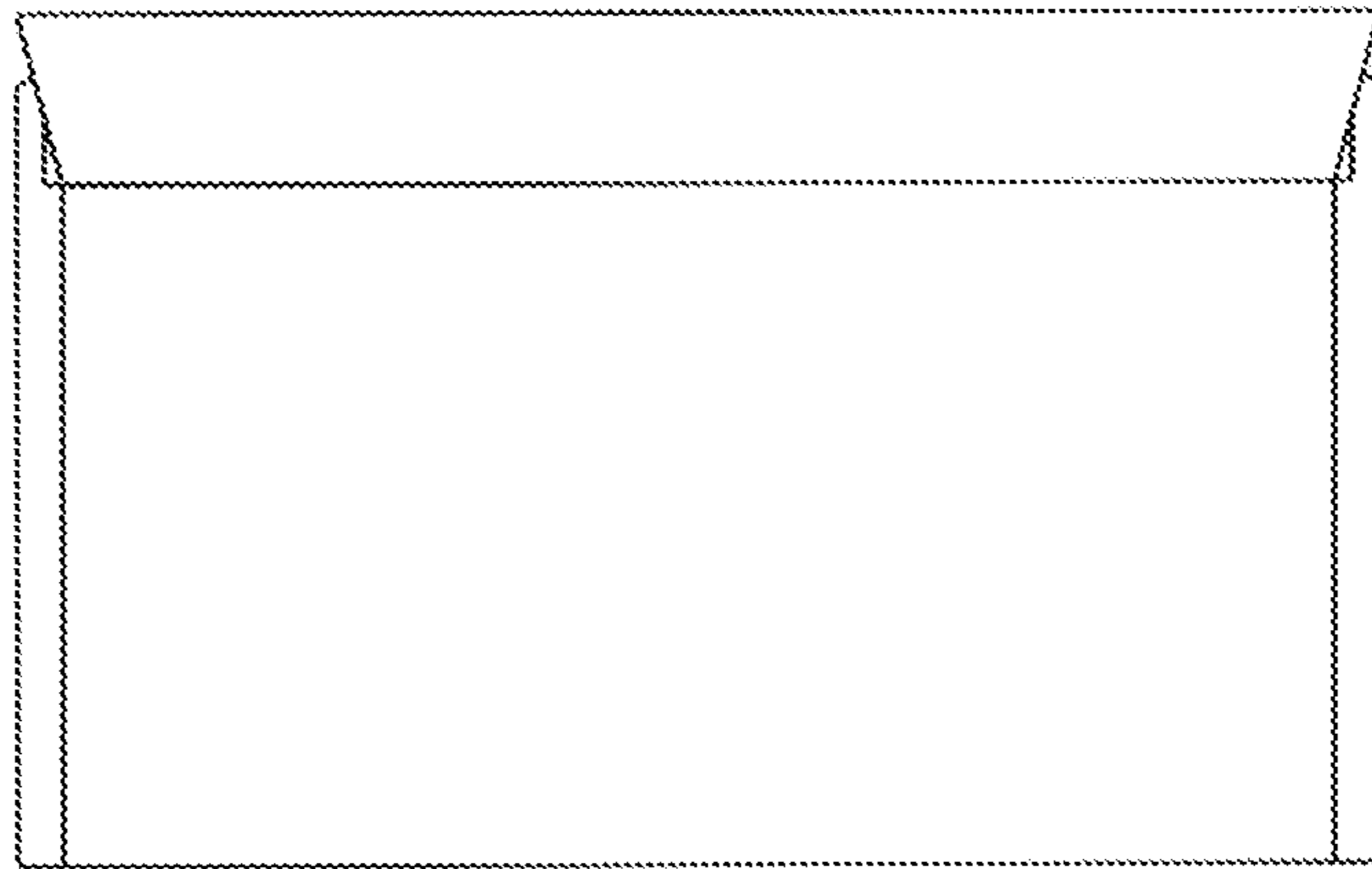


FIG. 2

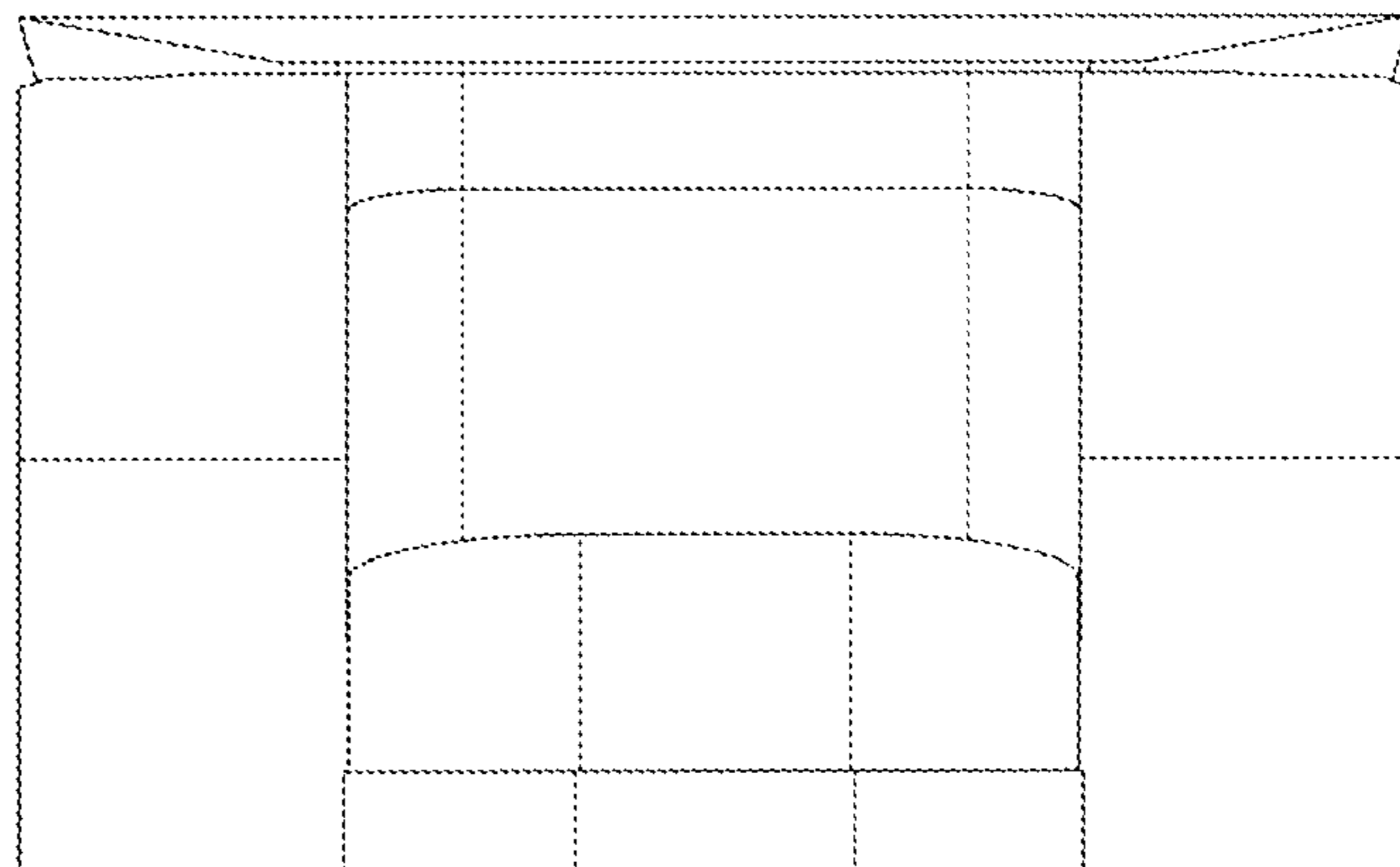


FIG. 3

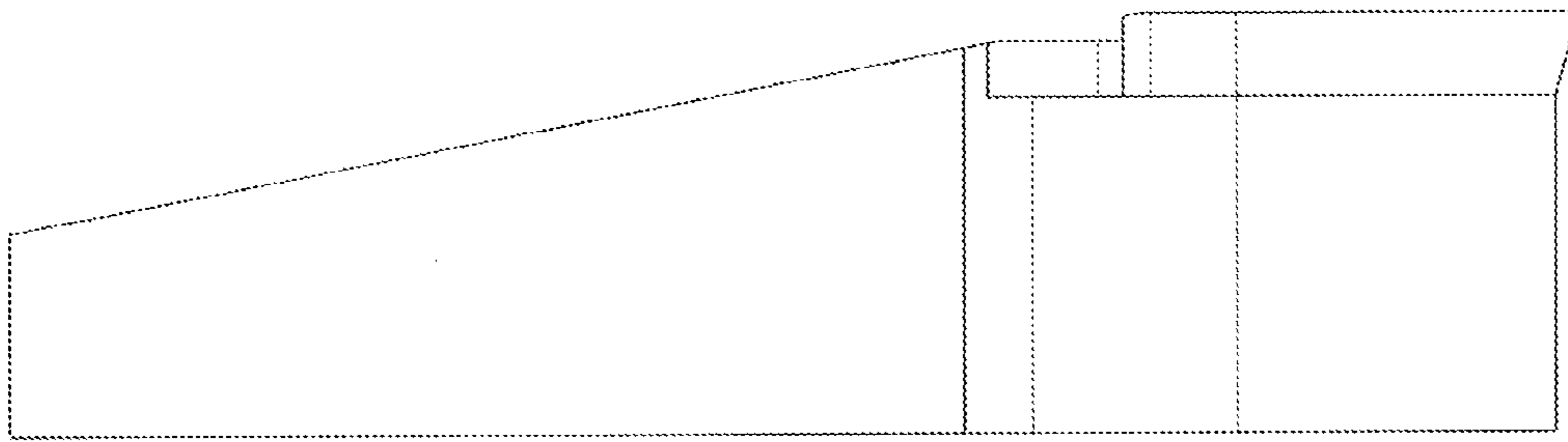


FIG. 4

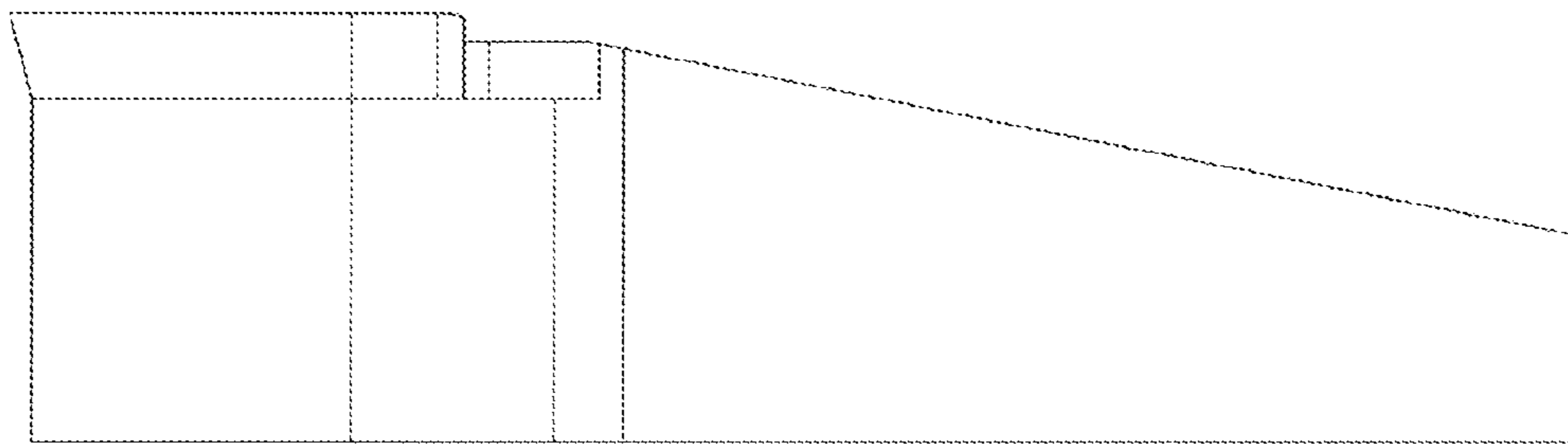


FIG. 5

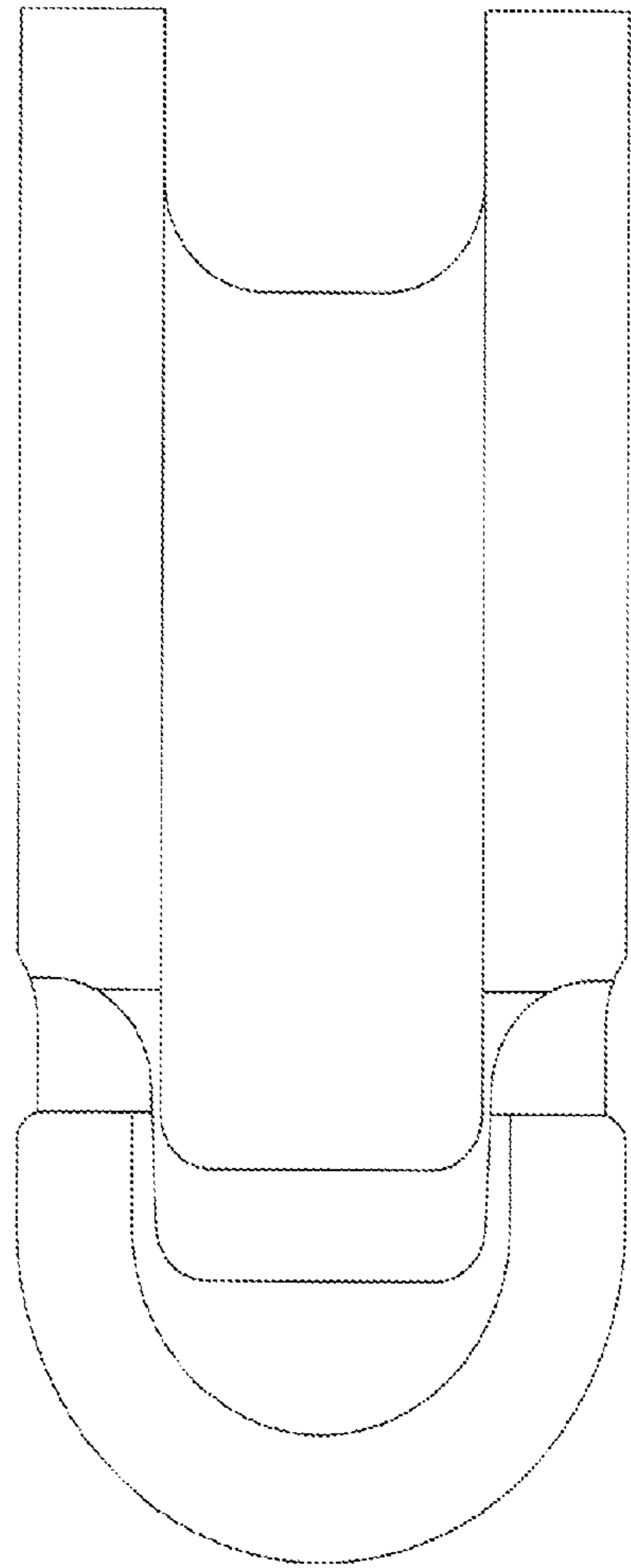


FIG. 6

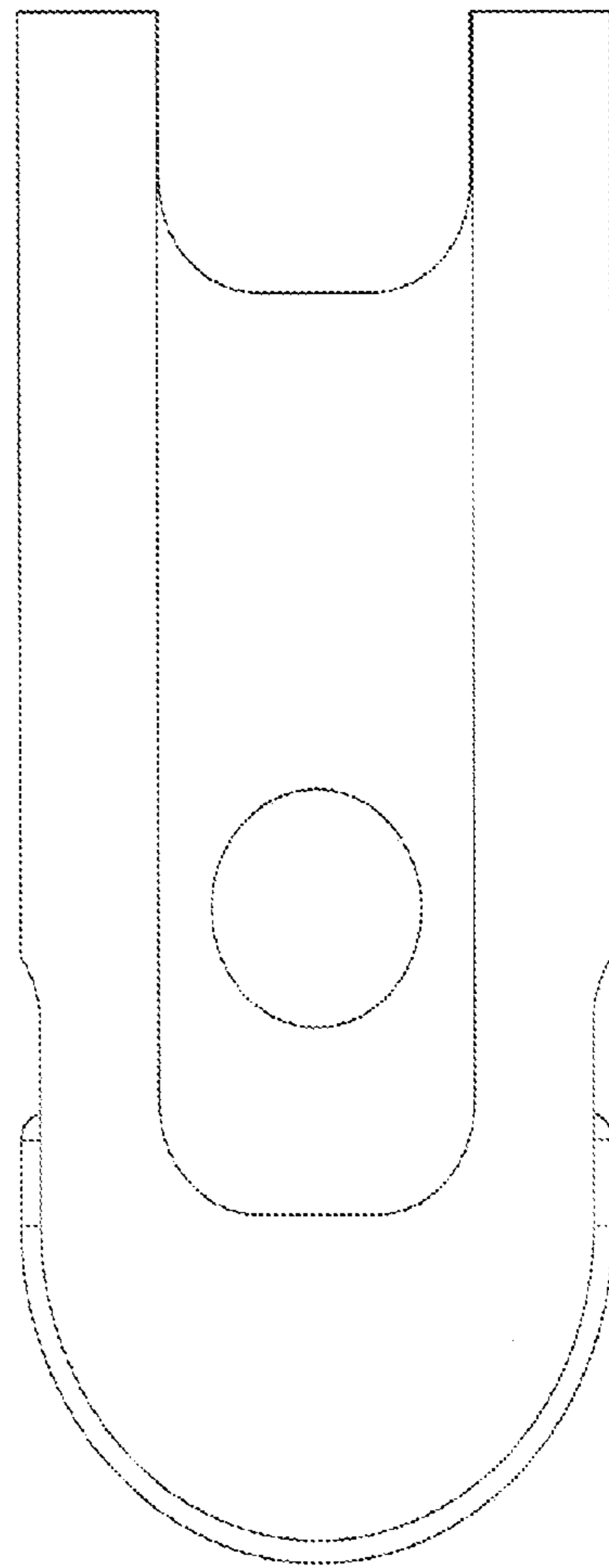


FIG. 7