

US00D675233S

(12) **United States Design Patent**
Kushita et al.

(10) **Patent No.:** **US D675,233 S**
(45) **Date of Patent:** **** Jan. 29, 2013**

(54) **ENGINE HOOD FOR WORK MACHINE**

(75) Inventors: **Yoshihiro Kushita**, Sakai (JP);
Yoshitaka Higashikawa, Sakai (JP);
Tomihito Tanaka, Tondabayashi (JP);
Shinya Ukai, Sakai (JP); **Jun Matsui**,
Izumi (JP)

(73) Assignee: **Kubota Corporation**, Osaka (JP)

(**) Term: **14 Years**

(21) Appl. No.: **29/412,991**

(22) Filed: **Feb. 9, 2012**

(30) **Foreign Application Priority Data**

Aug. 9, 2011 (JP) 2011-018256

(51) **LOC (9) Cl.** **15-03**

(52) **U.S. Cl.** **D15/31**

(58) **Field of Classification Search** D15/10,
D15/11, 13-17, 28, 22-26, 31; D12/173;
56/13.3, 13.4, 15.8, 15.9, 320.1; 180/89.1,
180/89.12, 900, 69.2, 68.1, 69.1
See application file for complete search history.

(56) **References Cited**

U.S. PATENT DOCUMENTS

D381,025 S * 7/1997 Bataille D15/31
D413,905 S * 9/1999 Schmidt et al. D15/31
D419,164 S * 1/2000 Heiler et al. D15/31
D465,500 S * 11/2002 Workman et al. D15/31

D473,882 S * 4/2003 Kuwae D15/31
D488,488 S * 4/2004 Montgomery et al. D15/31
D497,370 S * 10/2004 Katoh D15/31
D537,090 S * 2/2007 Kuwae D15/31
D554,669 S * 11/2007 Crookes et al. D15/31
D557,714 S * 12/2007 Higashikawa D15/31
D558,799 S * 1/2008 Higashikawa D15/31
D565,607 S * 4/2008 Moen et al. D15/31
D591,777 S * 5/2009 Kokitkar et al. D15/31
D631,489 S * 1/2011 Booth et al. D15/31
D632,312 S * 2/2011 Booth et al. D15/31

* cited by examiner

Primary Examiner — Mark Goodwin

(74) *Attorney, Agent, or Firm* — The Webb Law Firm

(57) **CLAIM**

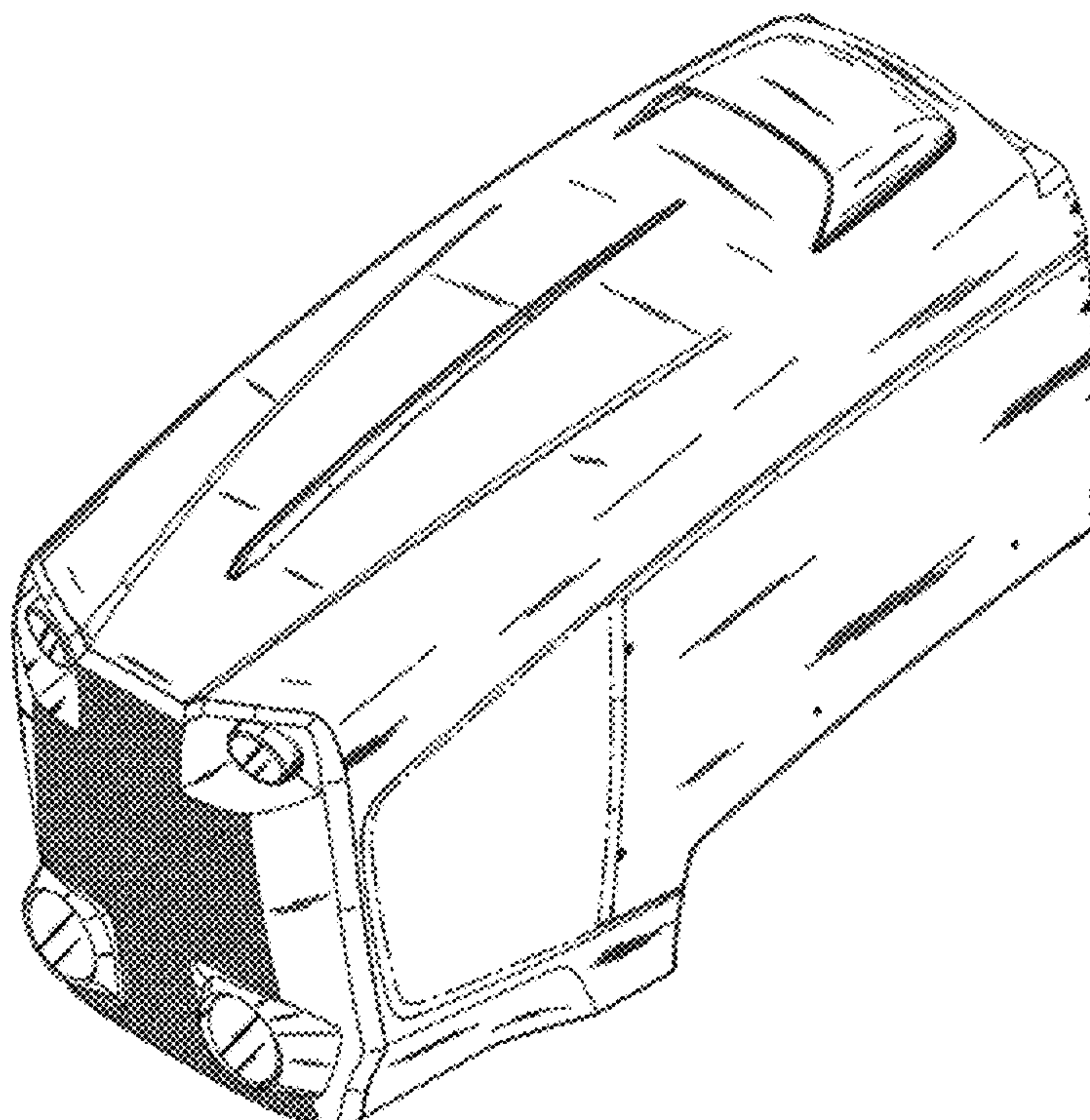
The ornamental design for a engine hood for work machine,
as shown and described.

DESCRIPTION

FIG. 1 is a front view of an engine hood for work machine
showing our new design;
FIG. 2 is a rear view thereof;
FIG. 3 is a left side view thereof;
FIG. 4 is a right side view thereof;
FIG. 5 is a top view thereof;
FIG. 6 is a bottom view thereof; and,
FIG. 7 is a front left side view thereof.

The portions of the engine hood for work machine shown in
broken lines form no part of the claimed design.

1 Claim, 7 Drawing Sheets



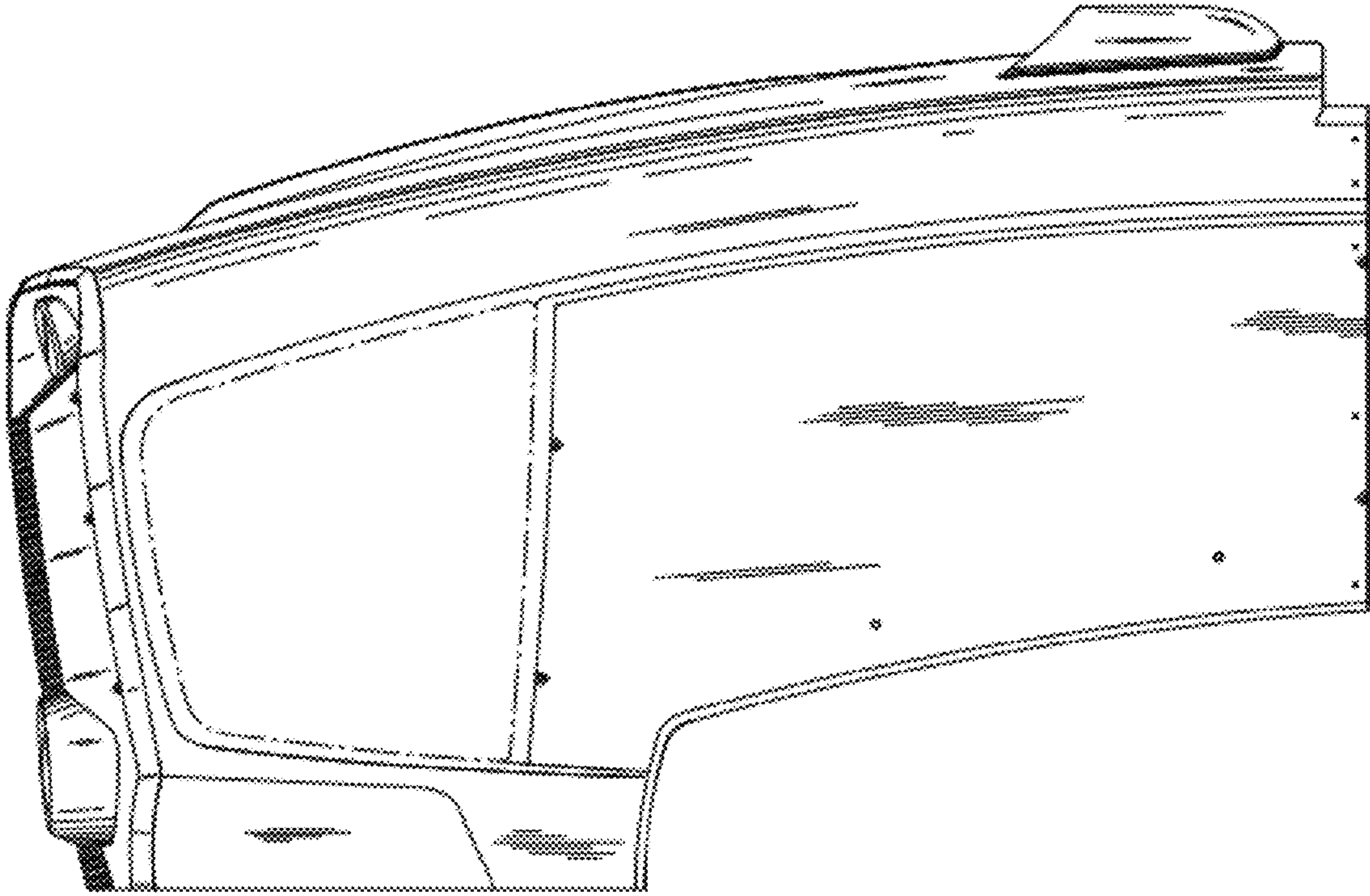


FIG. 1

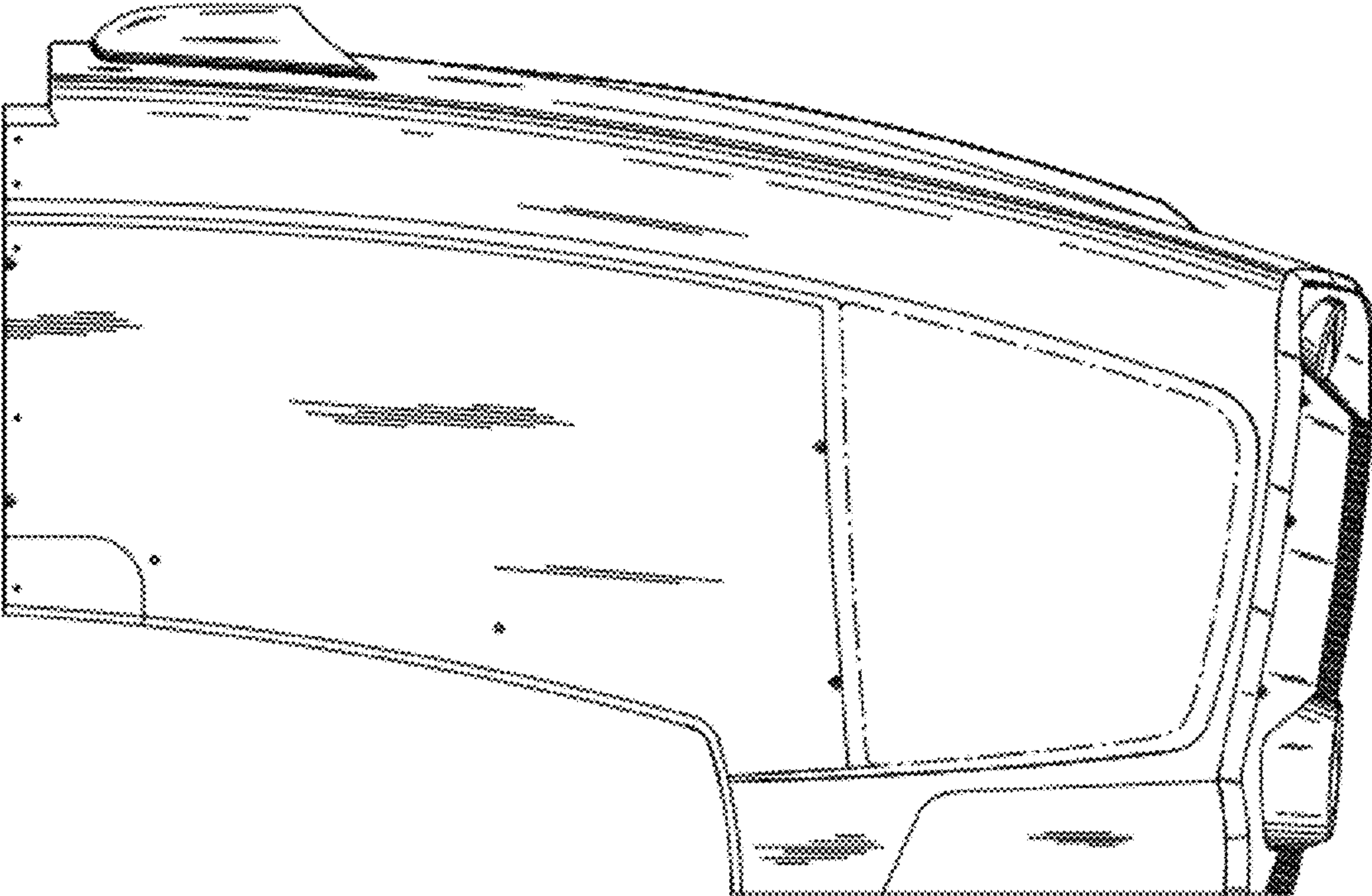


FIG. 2

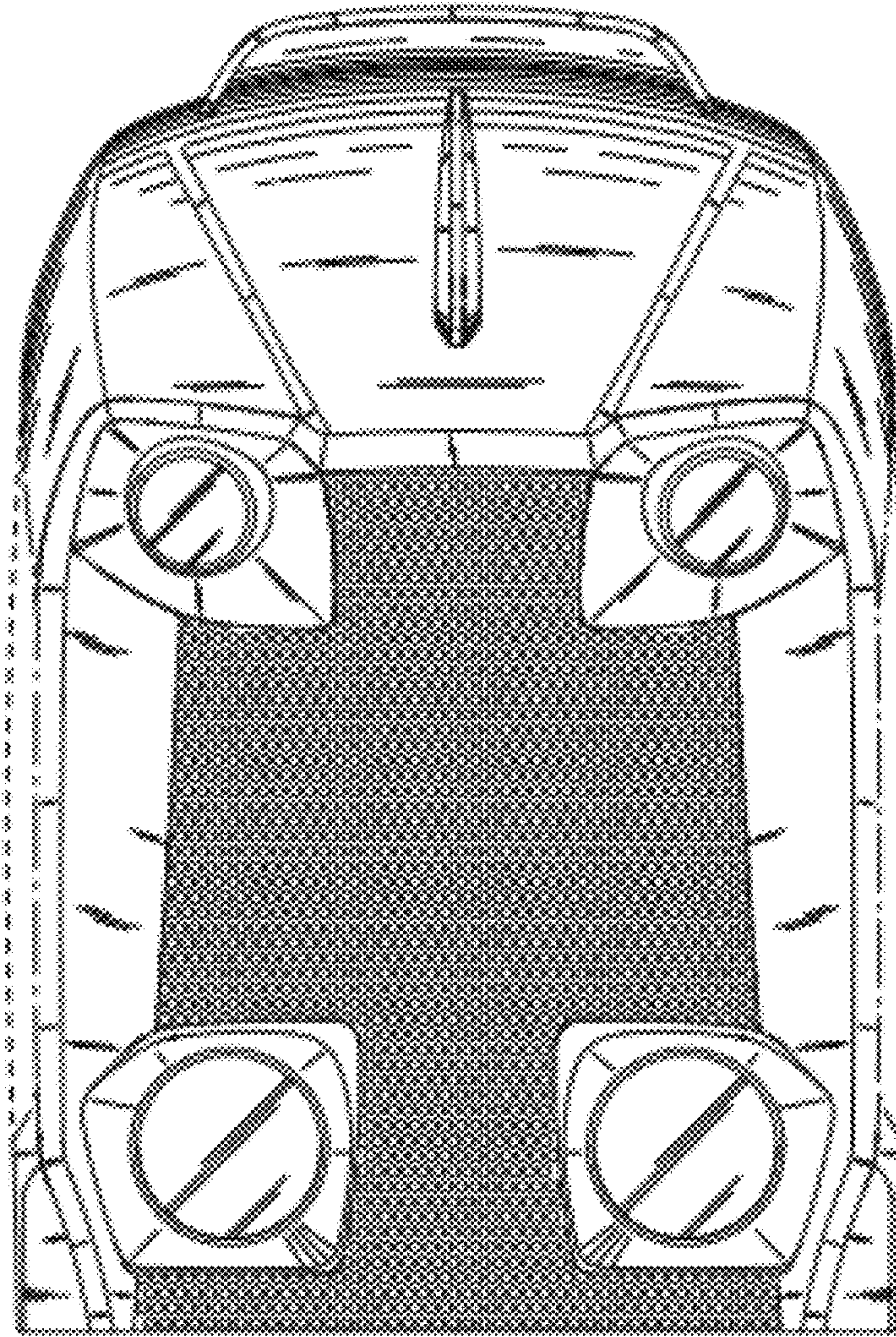


FIG. 3

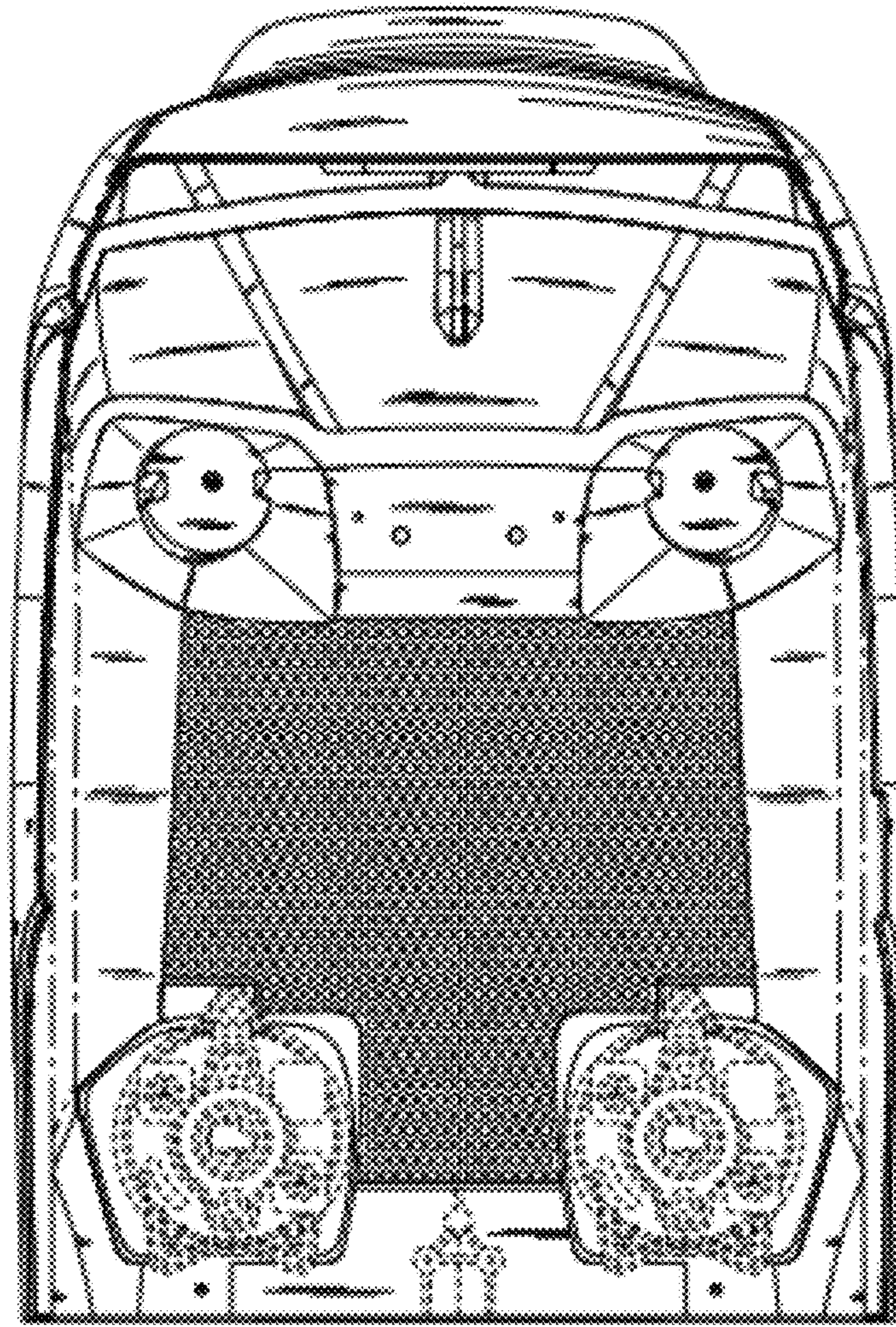


FIG. 4

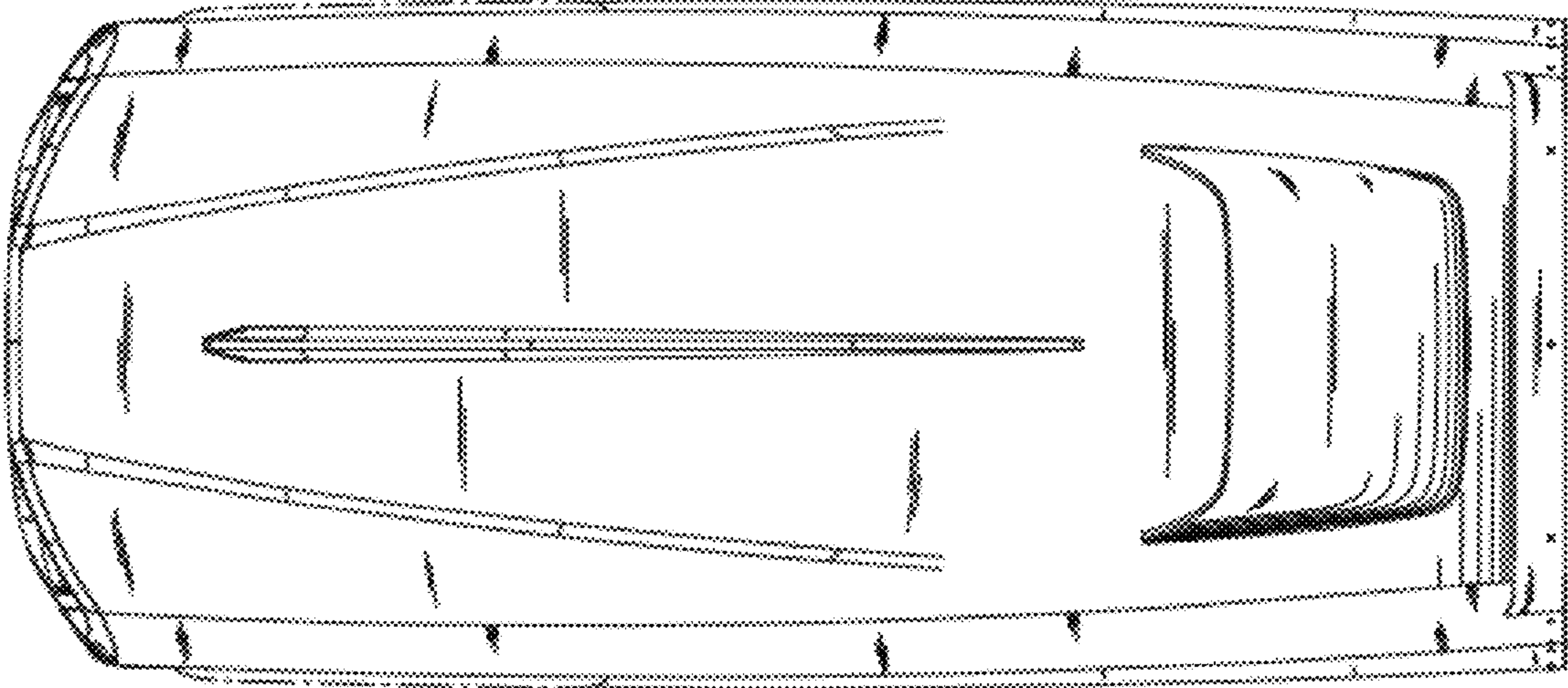


FIG. 5

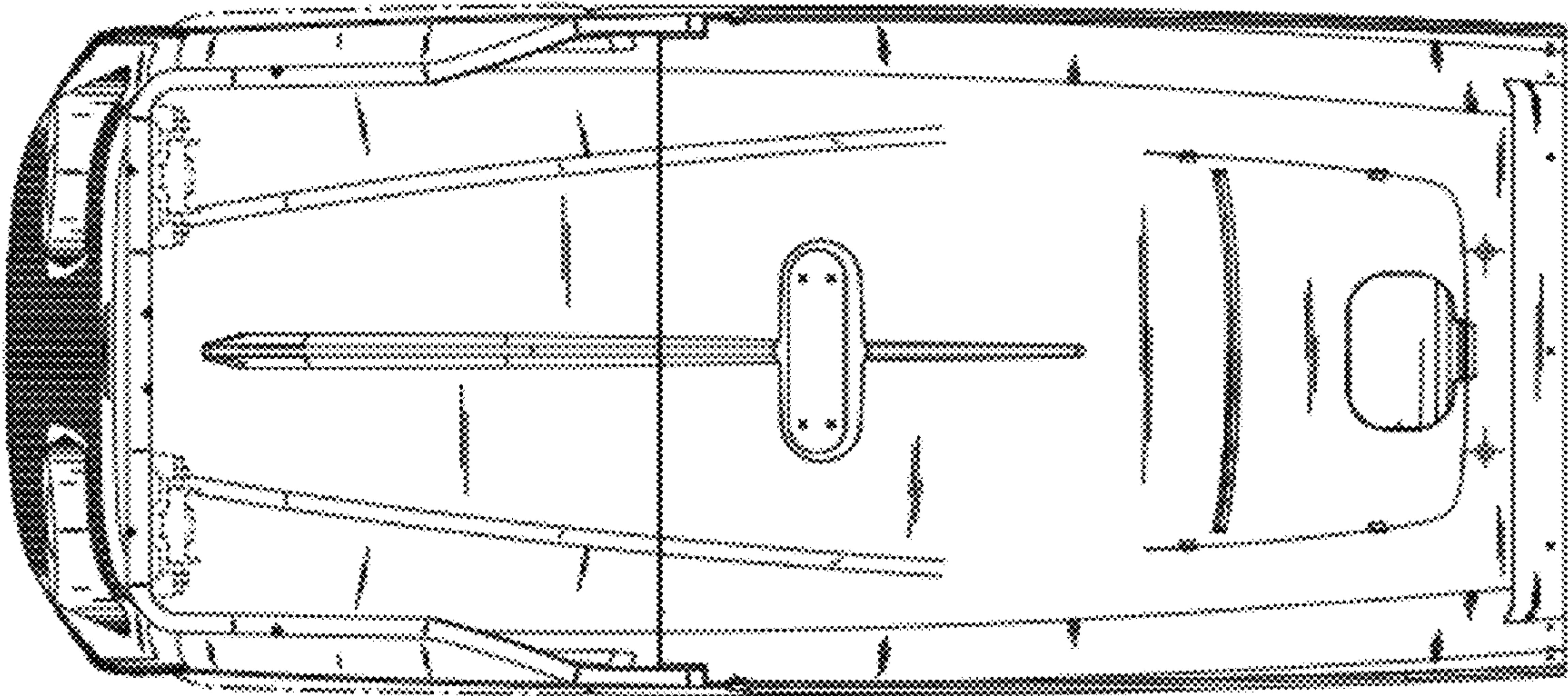


FIG. 6

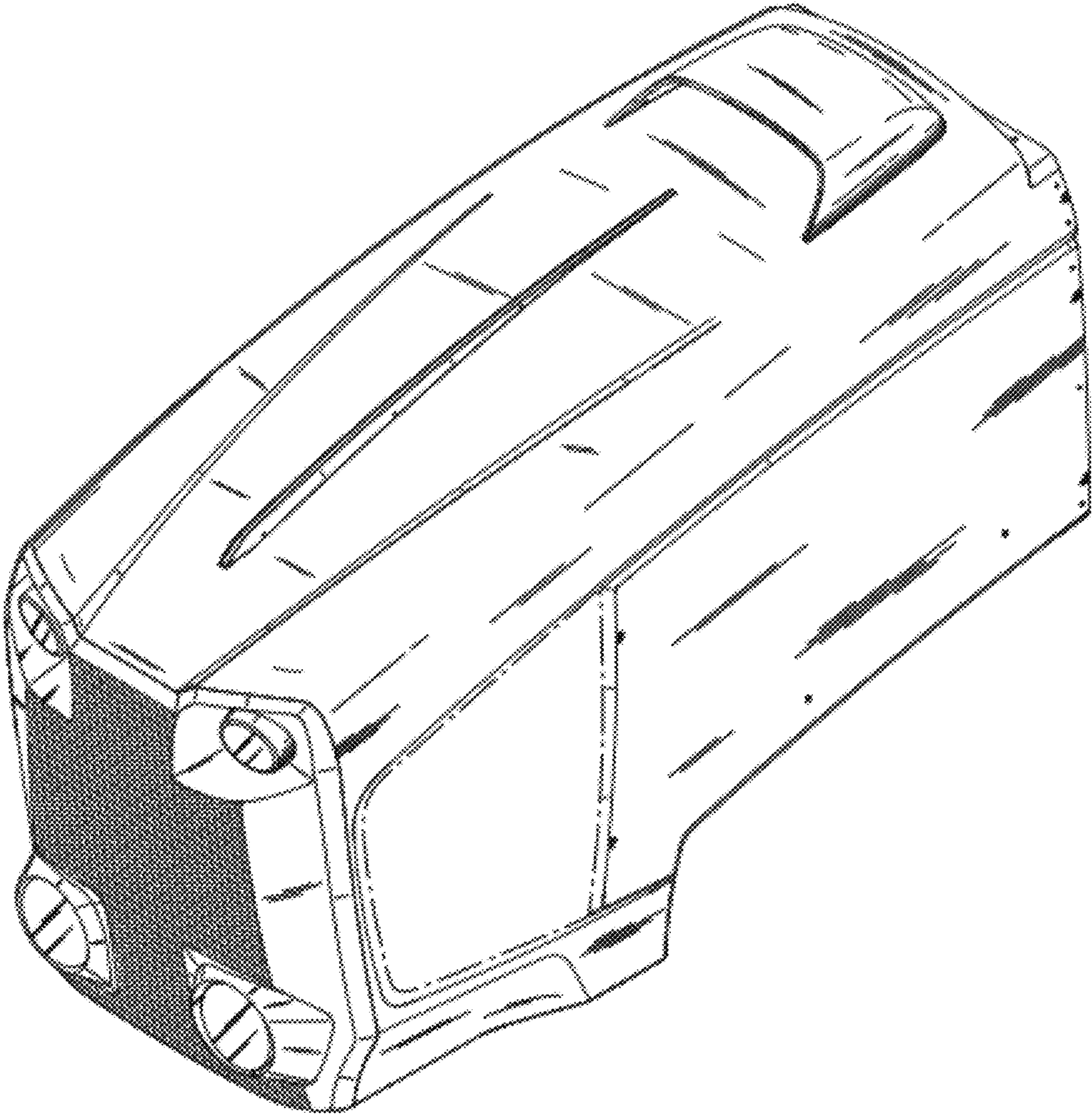


FIG. 7