



US00D675231S

(12) **United States Design Patent**
Headley et al.

(10) **Patent No.:** **US D675,231 S**

(45) **Date of Patent:** **** Jan. 29, 2013**

(54) **DOUBLE DIAPHRAGM PUMP ASSEMBLY**

(75) Inventors: **Thomas R. Headley**, Roanoke, IN (US);
Benjamin R. Freiburger, Fort Wayne,
IN (US)

(73) Assignee: **Tuthill Corporation**, Fort Wayne, IN
(US)

(**) Term: **14 Years**

(21) Appl. No.: **29/427,437**

(22) Filed: **Jul. 18, 2012**

D388,797 S * 1/1998 Conti et al. D15/7
D400,210 S * 10/1998 Reynolds et al. D15/7
D435,855 S * 1/2001 Donelson et al. D15/7
D484,145 S * 12/2003 Roberts et al. D15/7
D515,101 S * 2/2006 Wiechers et al. D15/7

* cited by examiner

Primary Examiner — Ralf Seifert

(74) *Attorney, Agent, or Firm* — Barnes & Thornburg LLP

(57) **CLAIM**

The design of a double diaphragm pump assembly, as shown and described.

Related U.S. Application Data

(62) Division of application No. 29/402,528, filed on Sep. 23, 2011.

(51) **LOC (9) Cl.** **15-02**

(52) **U.S. Cl.** **D15/7**

(58) **Field of Classification Search** D15/7-9;
D23/231, 232; 417/410.1, 359, 415-416,
417/234, 321, 265, 405, 521

See application file for complete search history.

(56) **References Cited**

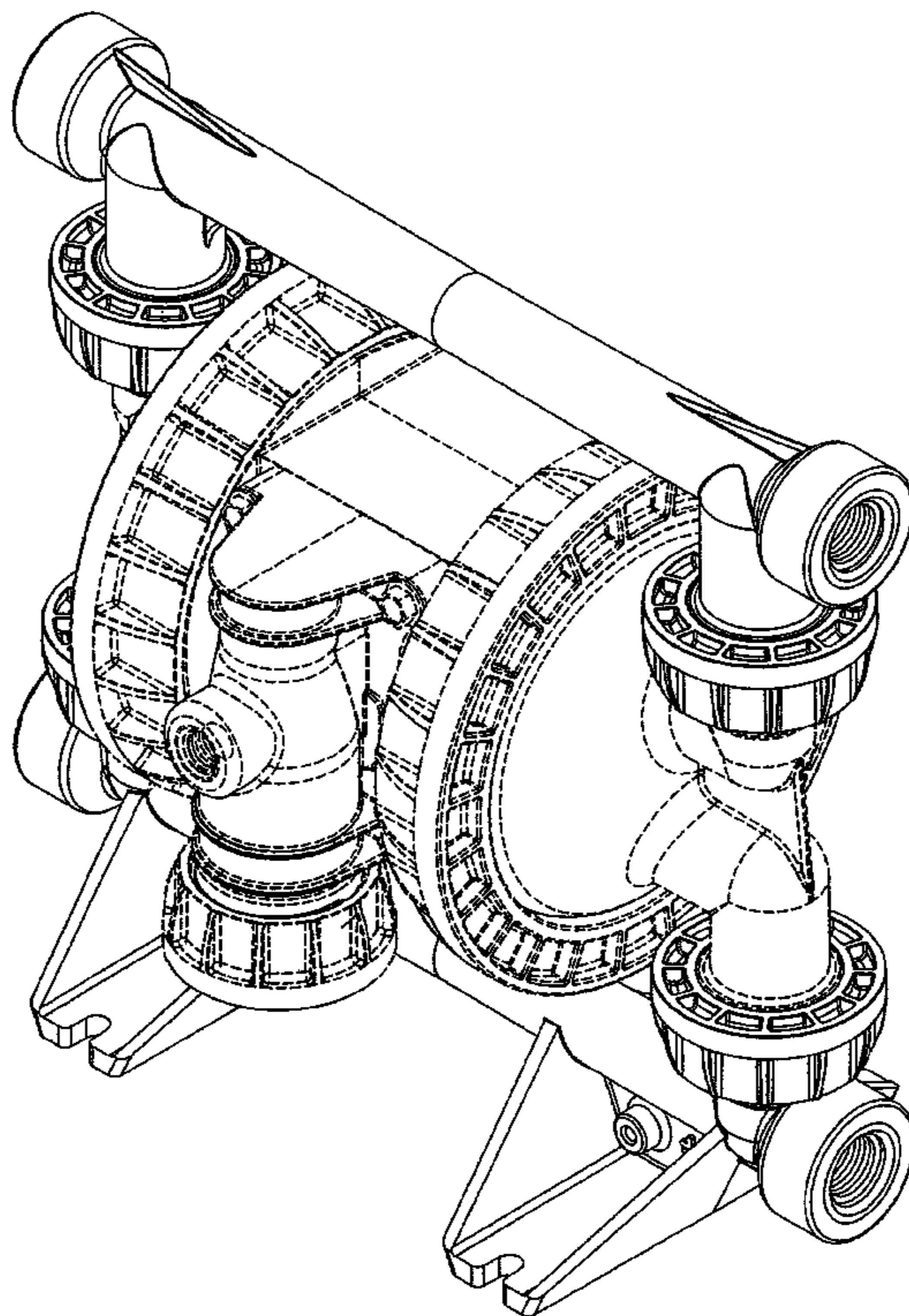
U.S. PATENT DOCUMENTS

D268,413 S * 3/1983 Wilden D15/7
D294,946 S * 3/1988 Wilden D15/7
D294,947 S * 3/1988 Wilden D15/7
D331,412 S * 12/1992 Wilden D15/7
D380,218 S * 6/1997 McKee et al. D15/7
D388,796 S * 1/1998 Conti et al. D15/7

DESCRIPTION

FIG. 1 is a perspective view of another embodiment of a double diaphragm pump assembly;
FIG. 2 is a front elevation view of the double diaphragm pump assembly of FIG. 1;
FIG. 3 is a rear elevational view of the double diaphragm pump assembly of FIG. 1;
FIG. 4 is a top view of the double diaphragm pump assembly of FIG. 1;
FIG. 5 is a right side view of the double diaphragm pump assembly of FIG. 1;
FIG. 6 is a left side view of the double diaphragm pump assembly of FIG. 1; and,
FIG. 7 is an underside view of the double diaphragm pump assembly of FIG. 1.

1 Claim, 7 Drawing Sheets



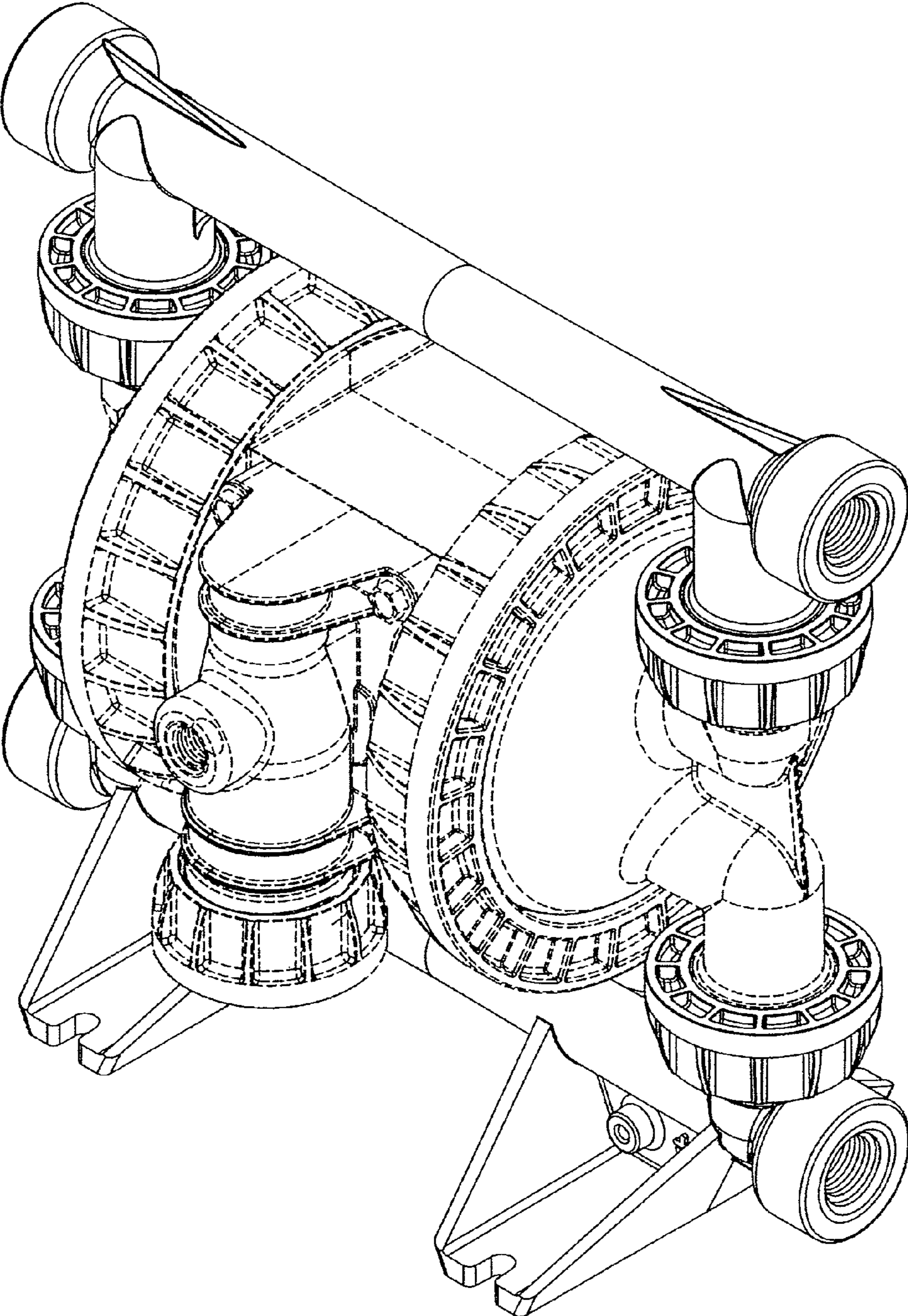


FIG. 1

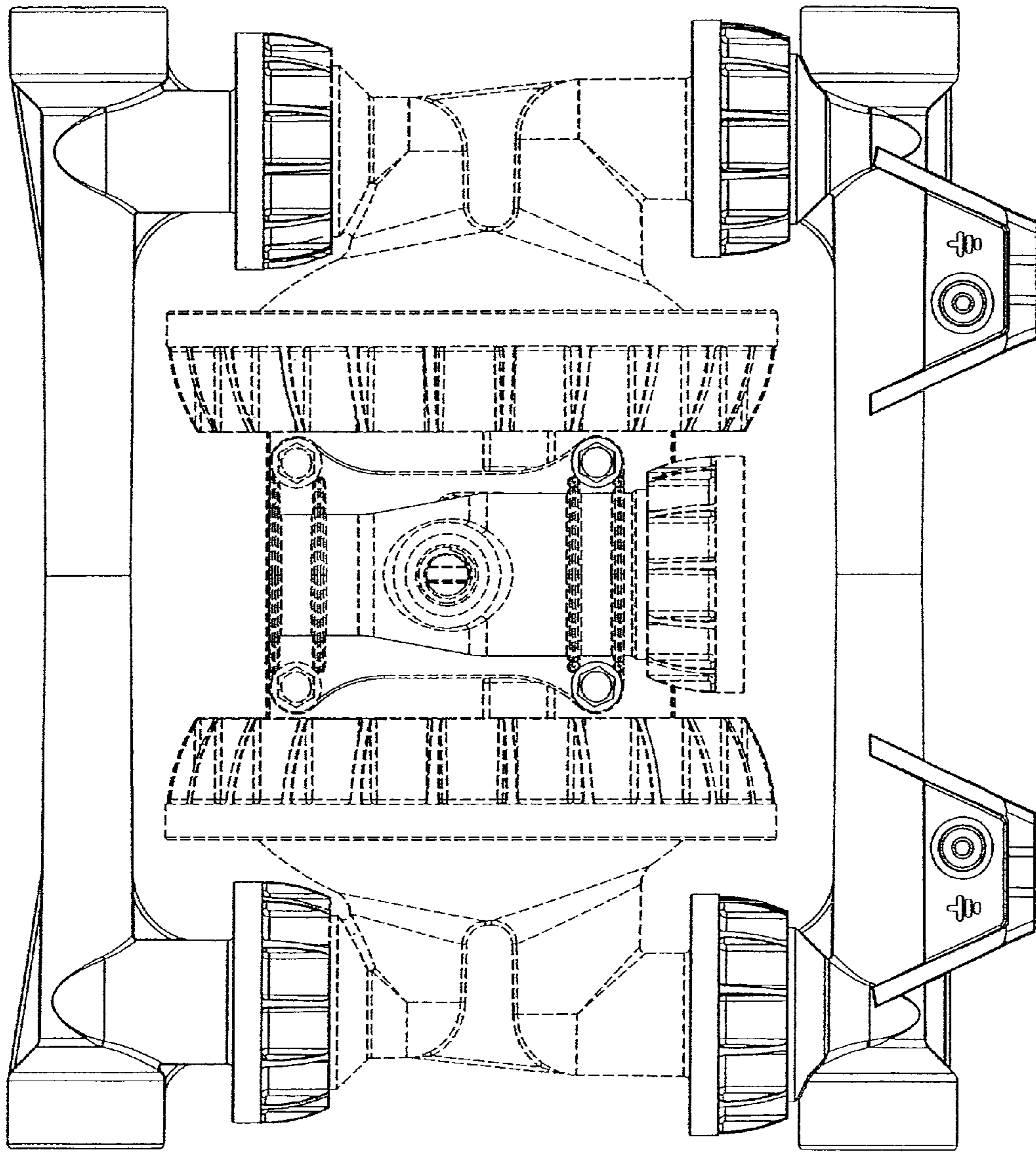


FIG. 2

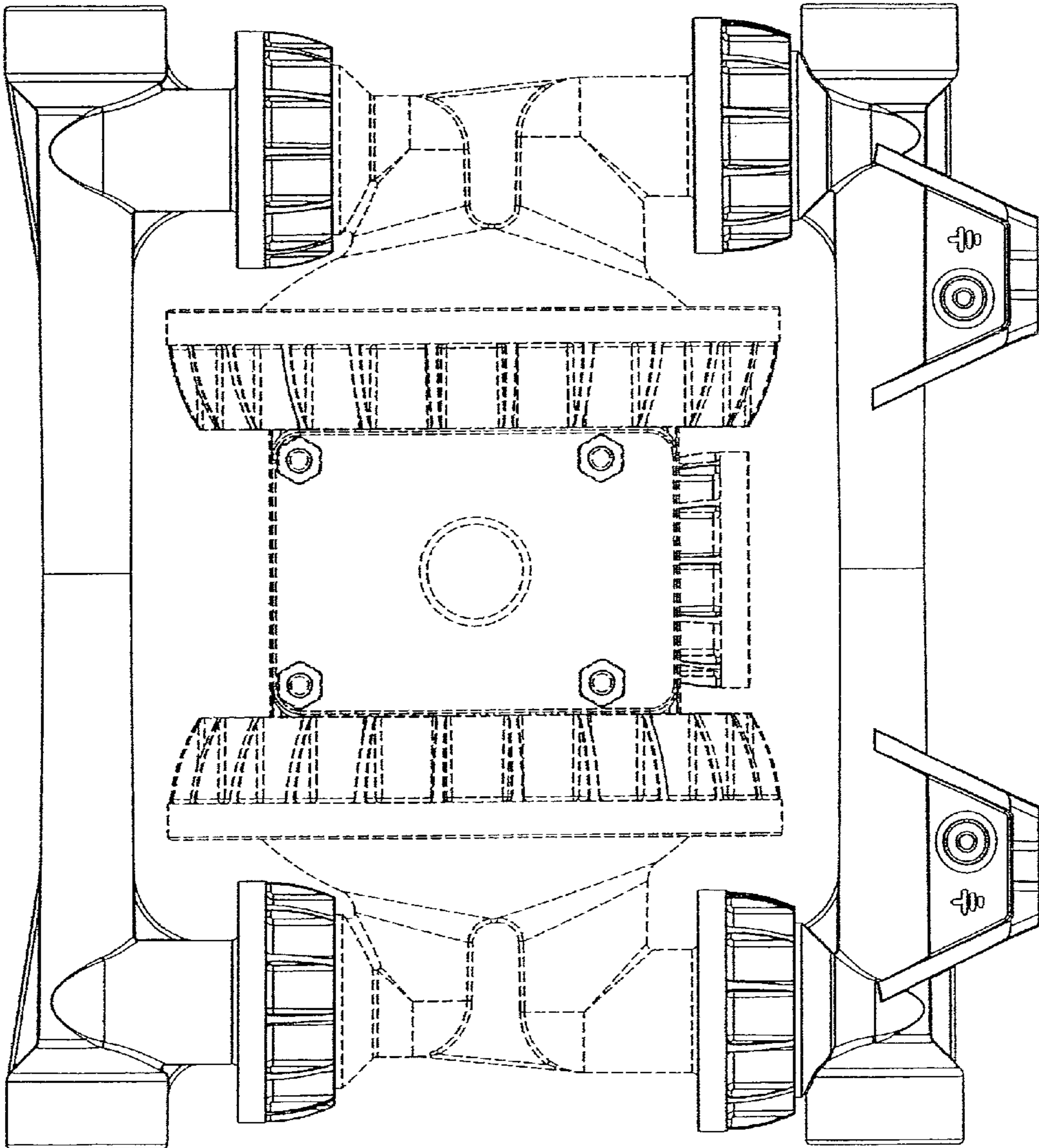


FIG. 3

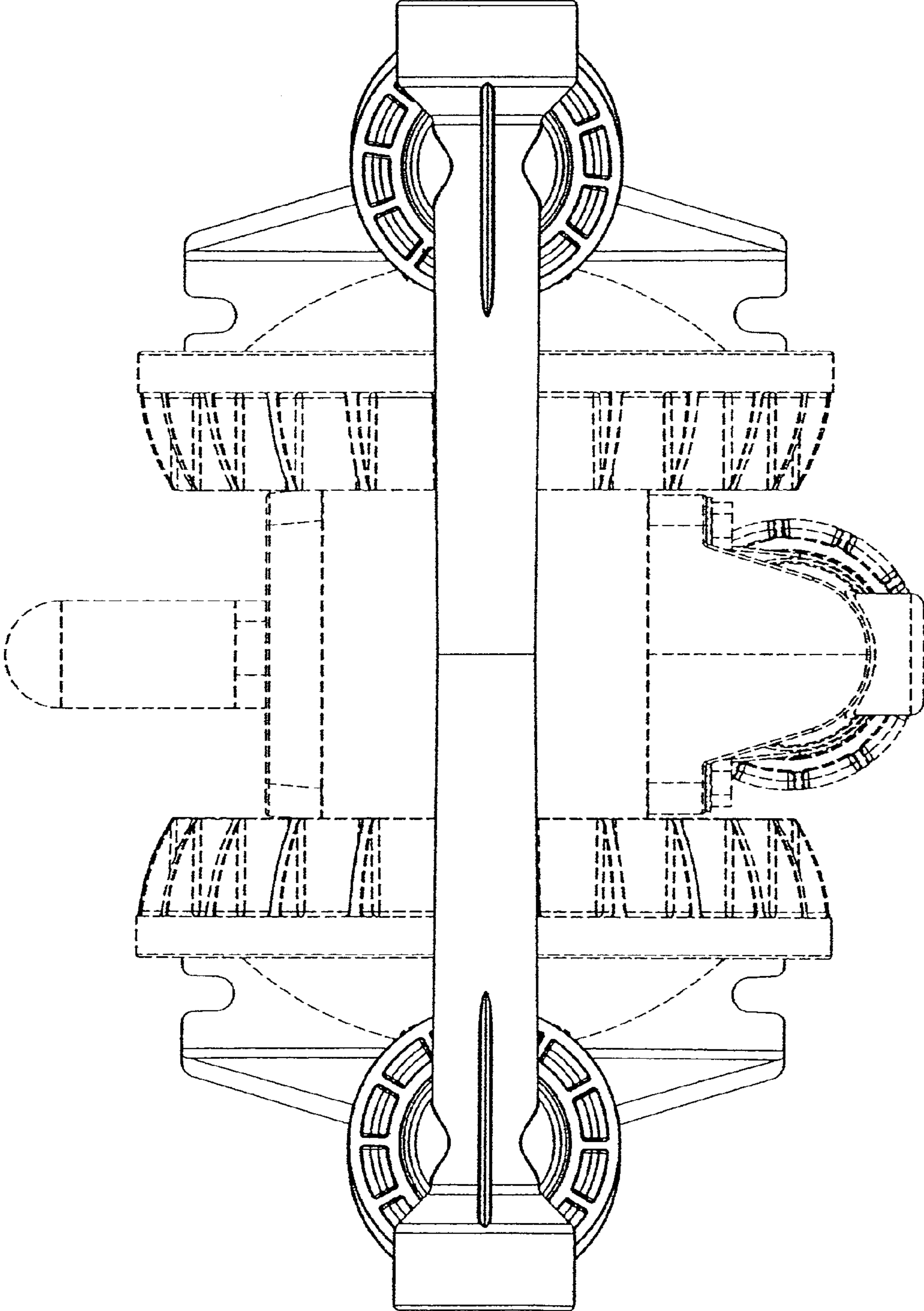


FIG. 4

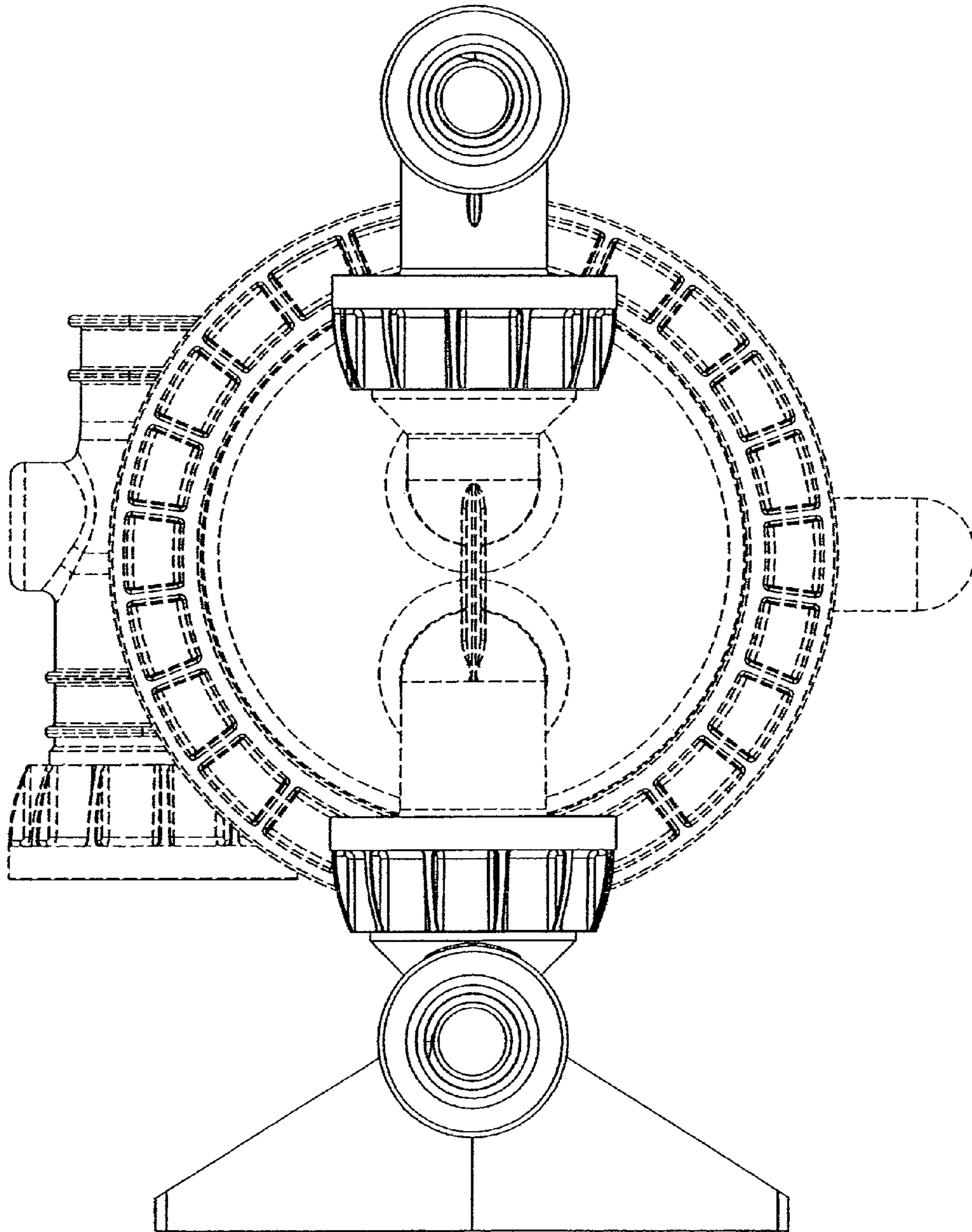


FIG. 5

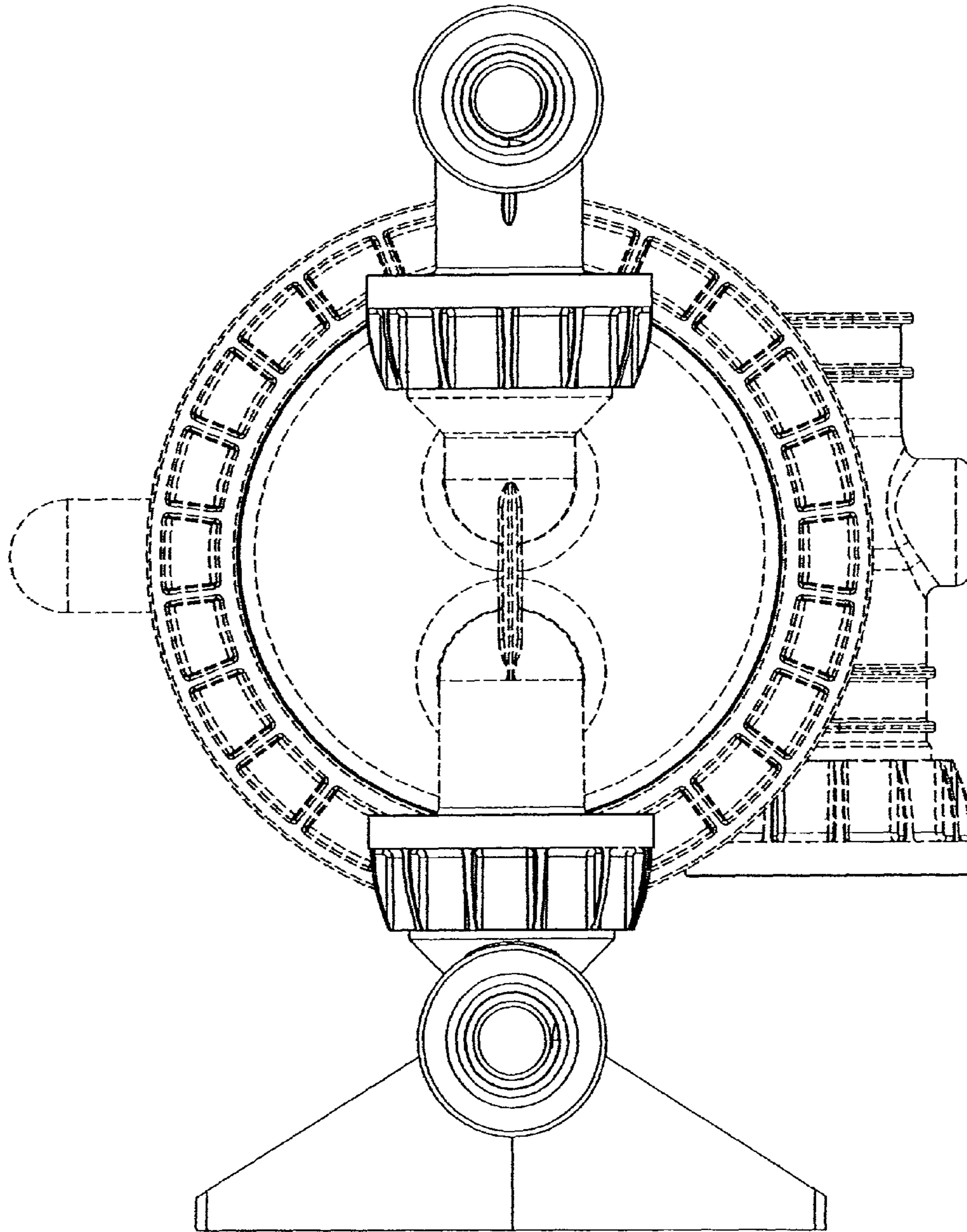


FIG. 6

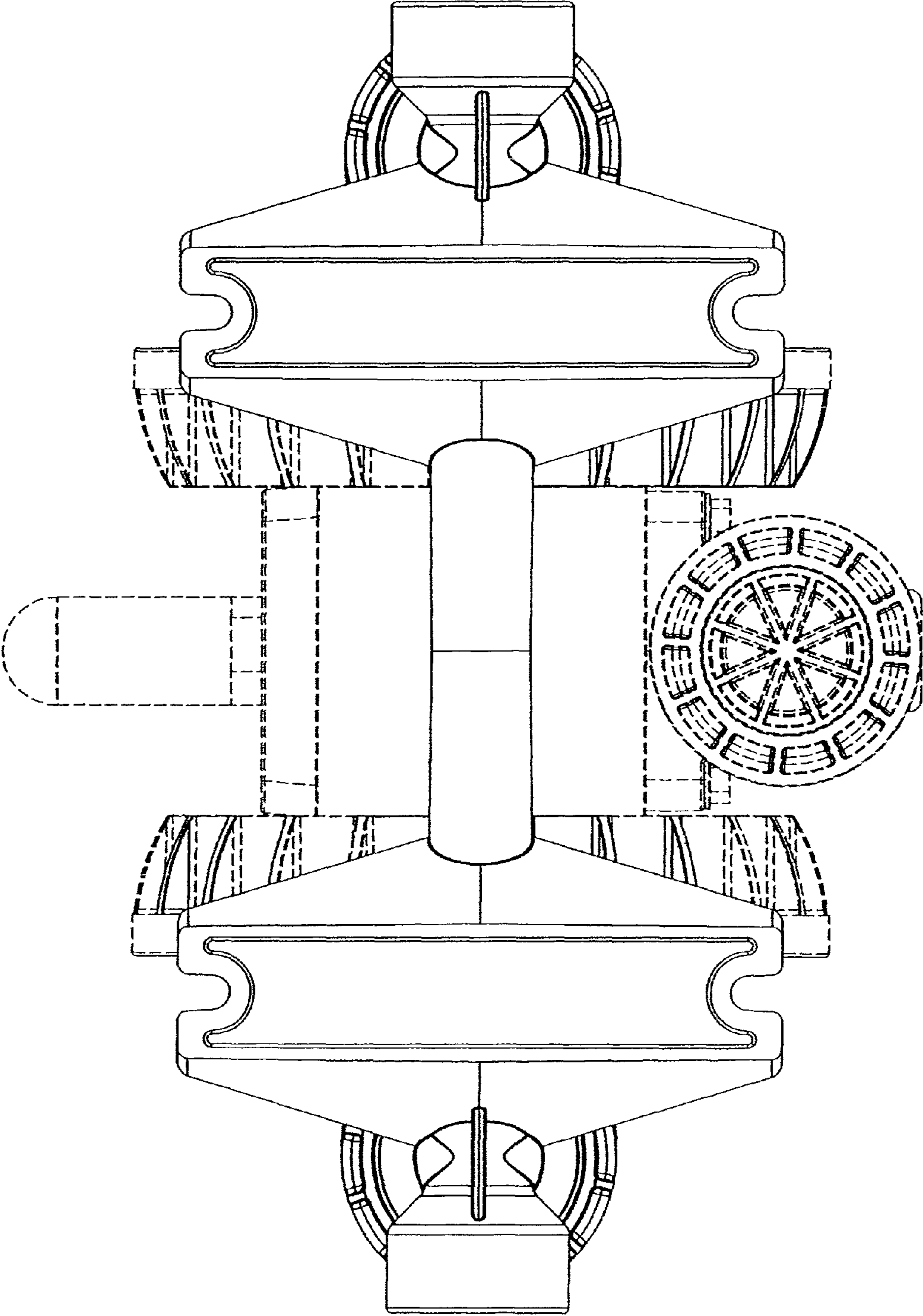


FIG. 7