



US00D675230S

(12) **United States Design Patent**
Finnie

(10) **Patent No.:** **US D675,230 S**
(45) **Date of Patent:** **** Jan. 29, 2013**

(54) **AIR CLEANER FOR A MOTORCYCLE**

D467,654 S * 12/2002 Klug et al. D23/365
D638,034 S * 5/2011 Jiang et al. D15/5
D642,592 S * 8/2011 Sands D15/5

(75) Inventor: **Mark Finnie**, La Palma, CA (US)

(73) Assignee: **Performance Machine, Inc.**, La Palma, CA (US)

(**) Term: **14 Years**

(21) Appl. No.: **29/402,020**

(22) Filed: **Sep. 19, 2011**

(51) **LOC (9) Cl.** **05-01**

(52) **U.S. Cl.** **D15/5; D12/114**

(58) **Field of Classification Search** D15/1-7,
D15/9; D12/110, 114, 345, 400; D23/355,
D23/364, 365; 55/306, 320, 329, 337, 357,
55/359, 431, 488, 489, 459.1, 495, 498, 385.3,
55/521, 522, 506, 526, DIG. 30, DIG. 43,
55/396; 123/53.6, 184.42, 184.57, 73 R,
123/74 A, 198 E, 184.31; 180/219, 220,
180/229; 280/288.4; 60/605.1, 605.3, 39.092
See application file for complete search history.

(56) **References Cited**

U.S. PATENT DOCUMENTS

3,751,907 A * 8/1973 Anderson 60/39.092
D340,513 S * 10/1993 Stahel et al. D23/364
D422,070 S * 3/2000 Bellil et al. D23/364

OTHER PUBLICATIONS

J & P Cycles 2009 Parts & Accessories For Your Harley-Davidson® Motorcycle. Hi-Five Air Cleaners for 1991-2009 Models, by Kuryakyn™, shown and described on p. 447.*

* cited by examiner

Primary Examiner — Susan M Lee

Assistant Examiner — Linda G. Brooks

(74) *Attorney, Agent, or Firm* — David Pressman

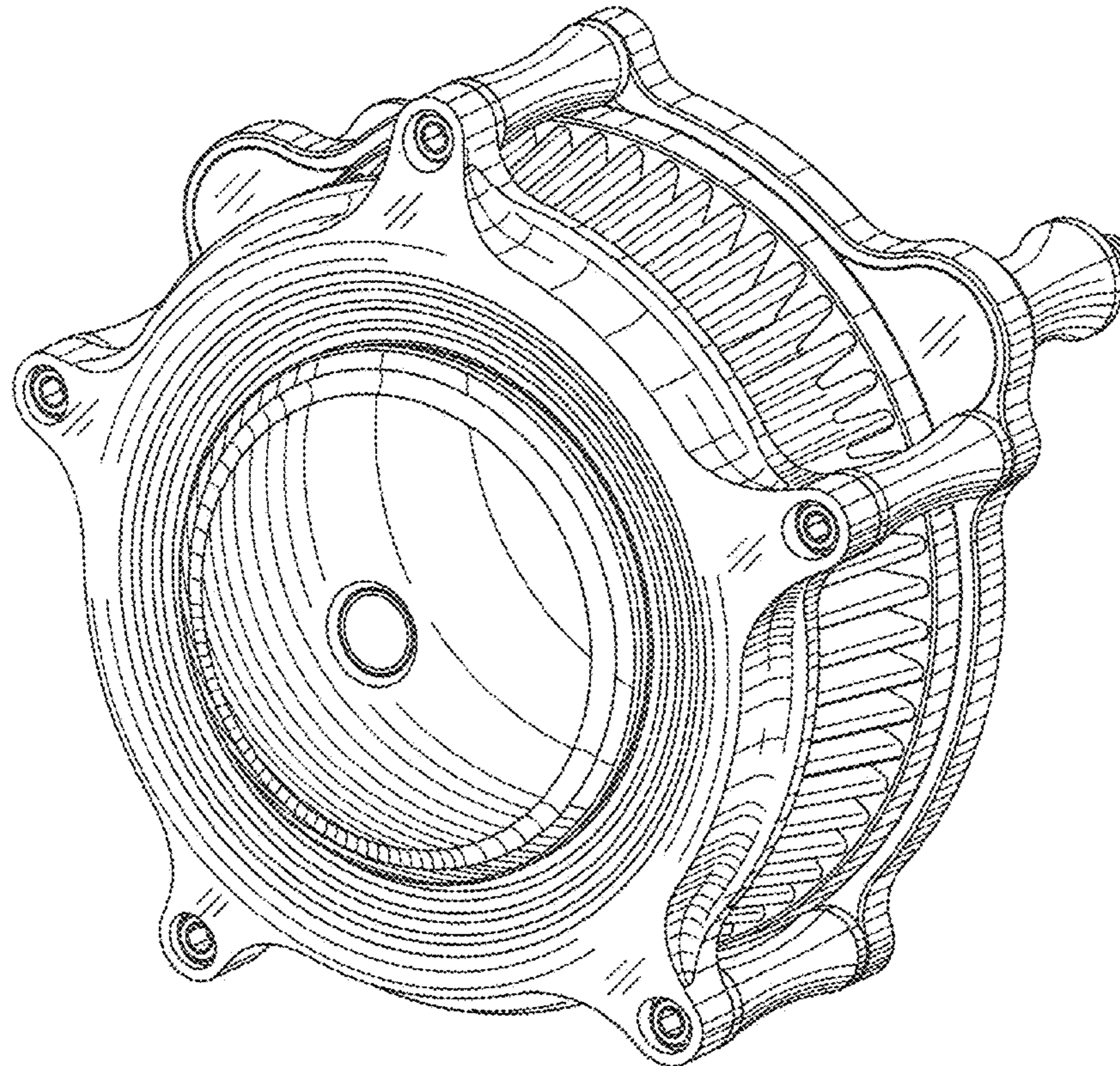
(57) **CLAIM**

The ornamental design for an air cleaner for a motorcycle, as shown and described.

DESCRIPTION

FIG. 1 is an isometric front view of my air cleaner for a motorcycle taken from the front at a side angle.
FIG. 2 is a perspective view taken from the rear at a side angle.
FIG. 3 is a front view.
FIG. 4 is a rear view; and,
FIG. 5 a side view taken from the right side of the air cleaner as seen in FIG. 3. The left side view of the air cleaner shown in FIG. 3 is a mirror image of FIG. 5.

1 Claim, 5 Drawing Sheets



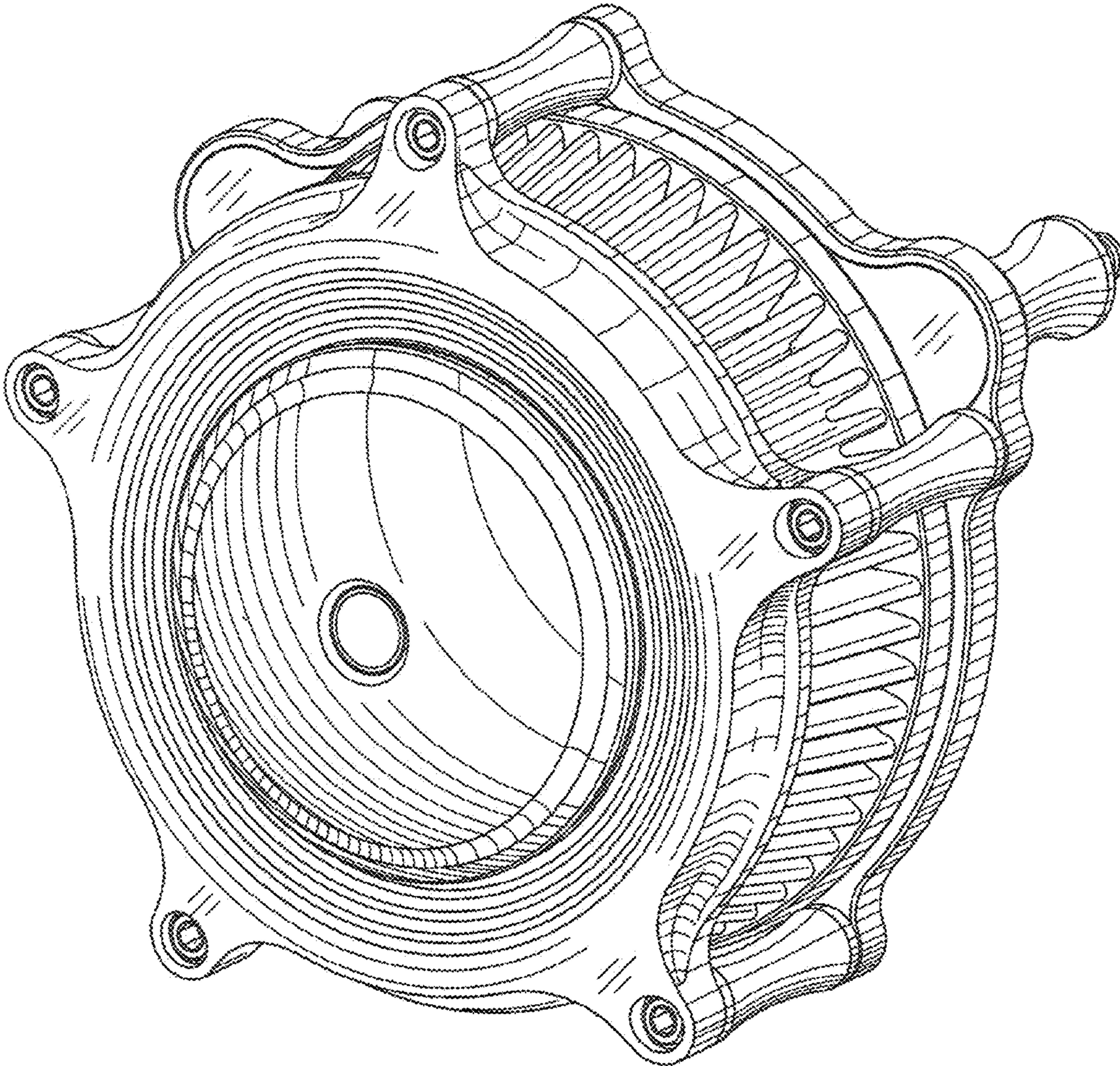


FIG 1

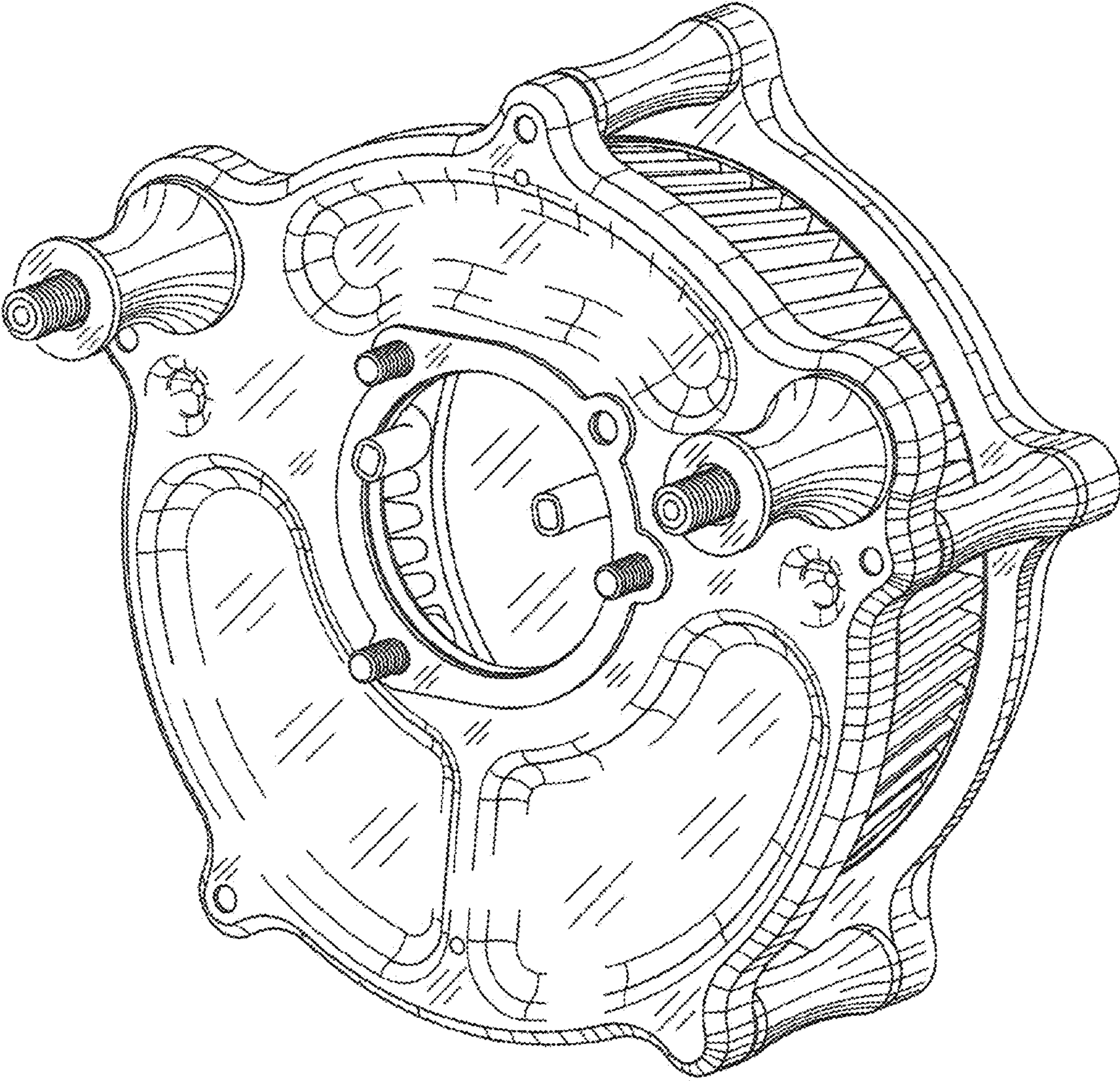


FIG 2

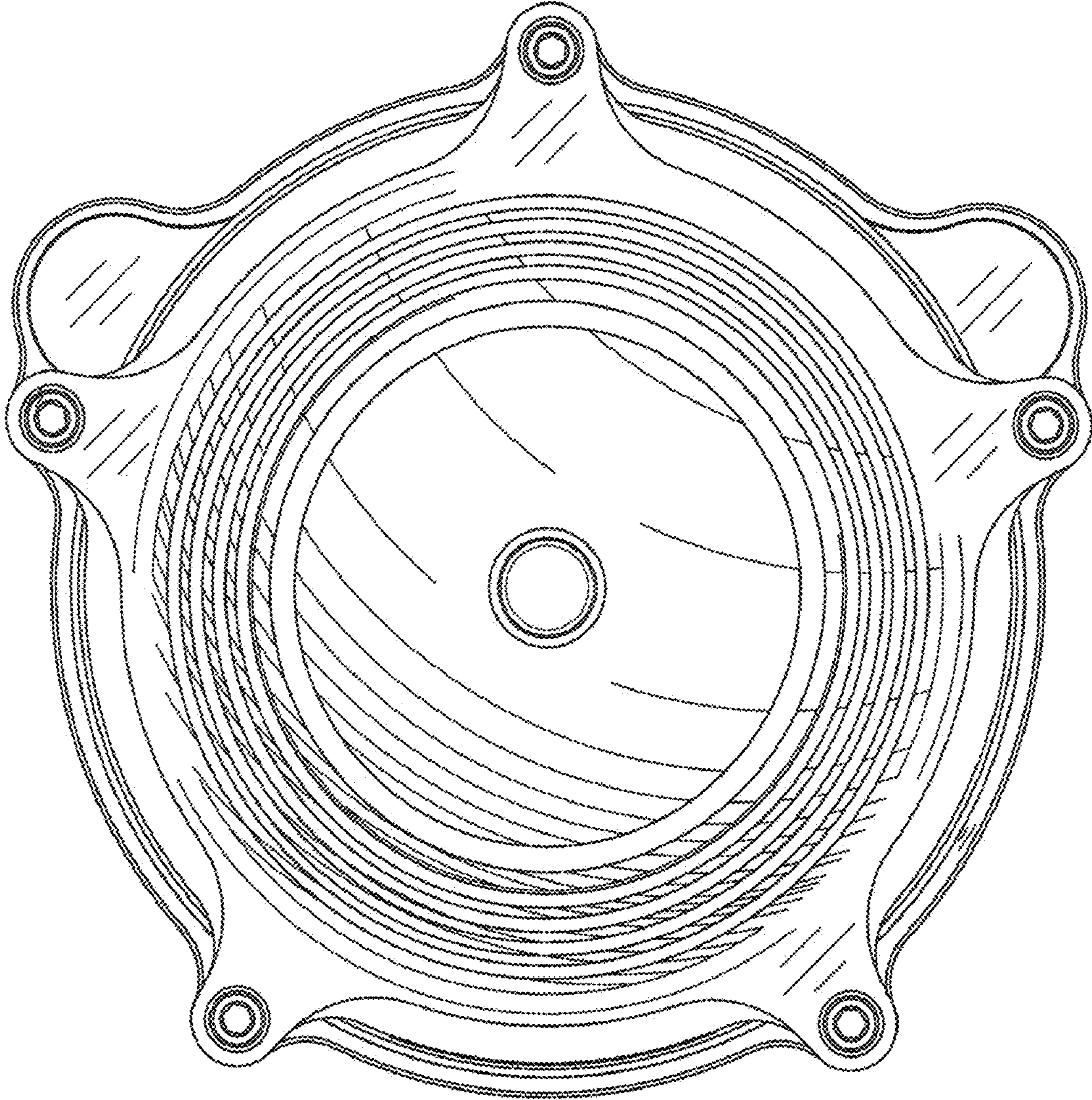


FIG 3

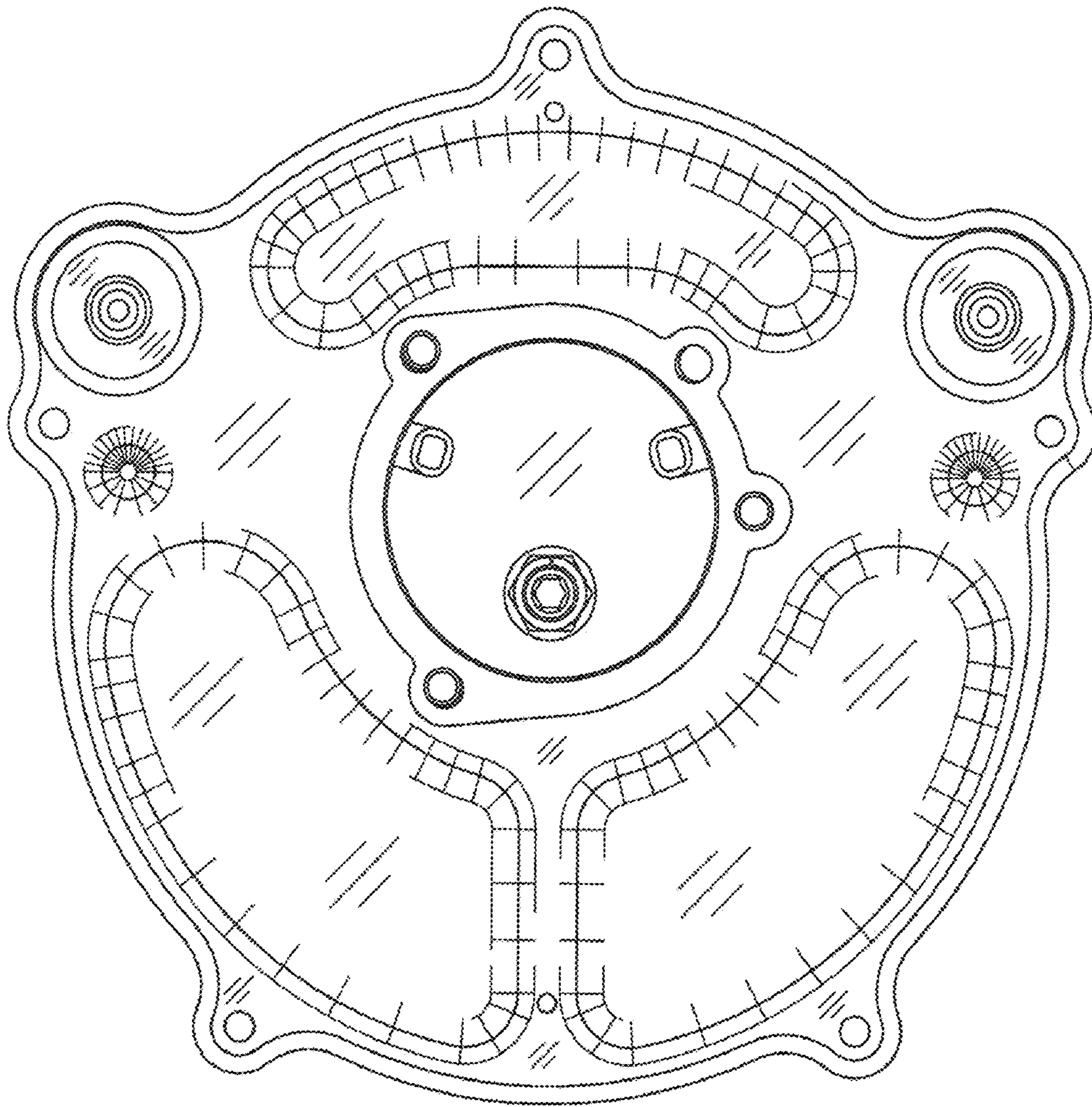


FIG 4

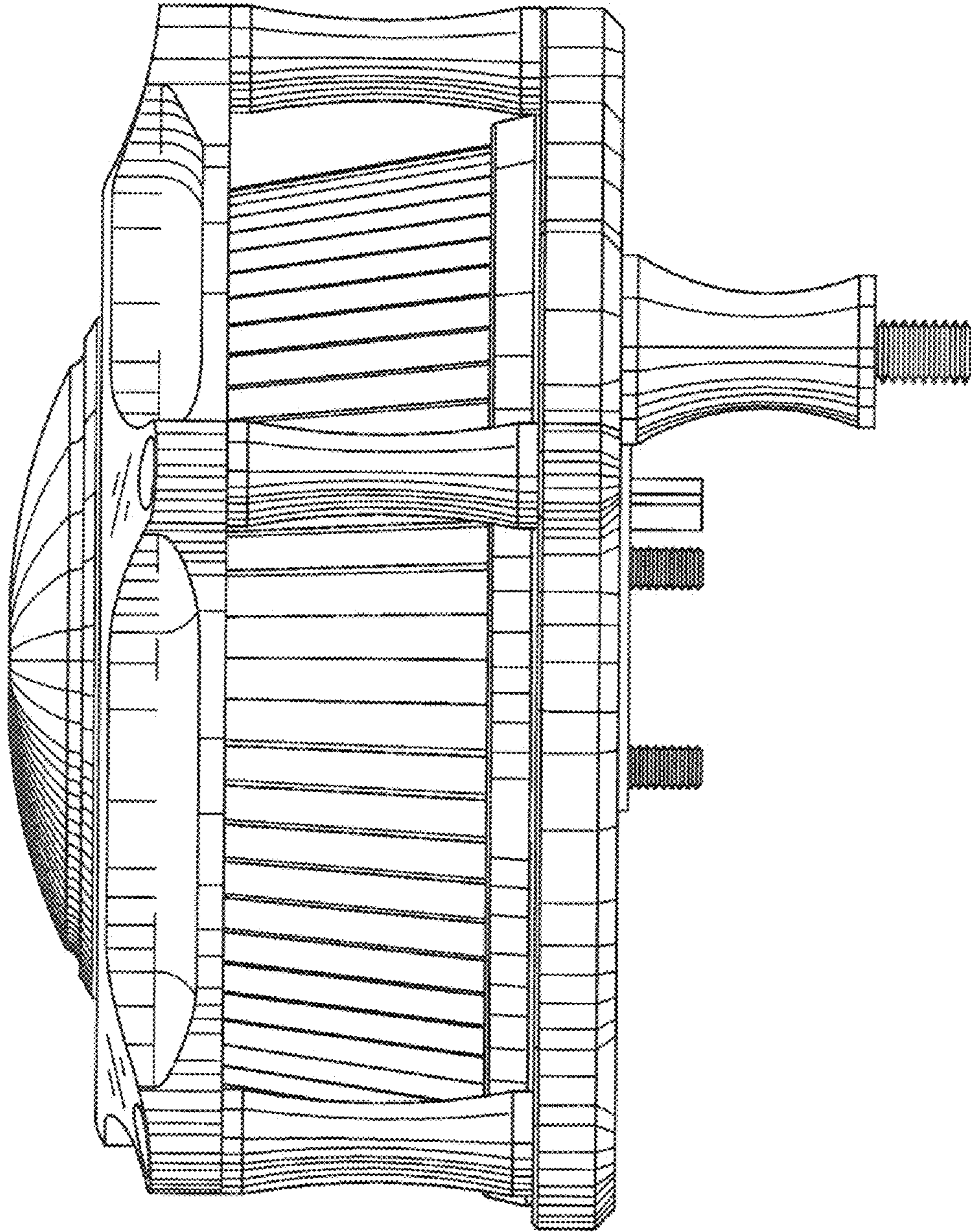


FIG 5