



US00D675217S

(12) **United States Design Patent**
Lee

(10) **Patent No.:** **US D675,217 S**

(45) **Date of Patent:** **** Jan. 29, 2013**

(54) **PORTABLE MEMORY UNIT**

(76) Inventor: **Kyu B. Lee**, Tacoma, WA (US)

(**) Term: **14 Years**

(21) Appl. No.: **29/413,839**

(22) Filed: **Feb. 21, 2012**

(51) **LOC (9) Cl.** **14-02**

(52) **U.S. Cl.** **D14/480.6**

(58) **Field of Classification Search** D14/411,
D14/433, 435, 435.1, 436-438, 480.1-480.7,
D14/484.1, 137, 155, 203.1-203.8, 240;
D13/133, 146-147, 154; 710/300, 301; 439/131,
439/135-147; 361/679.31, 679.33, 679.4,
361/752; 711/100, 115

See application file for complete search history.

(56) **References Cited**

U.S. PATENT DOCUMENTS

| | | | | | | |
|-----------|---|---|---------|------------------|-------|-----------|
| D220,105 | S | * | 3/1971 | Small | | D14/300 |
| 4,185,313 | A | * | 1/1980 | Green et al. | | 360/133 |
| D257,675 | S | * | 12/1980 | Green et al. | | D14/435 |
| D308,521 | S | * | 6/1990 | Lonczak | | D14/230 |
| D355,121 | S | * | 2/1995 | Kohl | | D9/447 |
| D377,647 | S | * | 1/1997 | Fekete et al. | | D14/436 |
| D414,476 | S | * | 9/1999 | Hibino | | D14/358 |
| D453,329 | S | * | 2/2002 | Muramatsu | | D14/230 |
| D454,125 | S | * | 3/2002 | Stout et al. | | D14/230 |
| D494,167 | S | * | 8/2004 | Hirakawa et al. | | D14/345 |
| D529,878 | S | * | 10/2006 | Wang | | D14/125 |
| D553,131 | S | * | 10/2007 | Dal Porto et al. | | D14/480.2 |

| | | | | | | |
|--------------|----|---|---------|-----------------|-------|-----------|
| D559,248 | S | * | 1/2008 | Heshes et al. | | D14/480.5 |
| D586,346 | S | * | 2/2009 | Robinson et al. | | D14/383 |
| 7,740,494 | B2 | * | 6/2010 | Lin et al. | | 439/131 |
| D638,001 | S | * | 5/2011 | Nakhjiri et al. | | D14/242 |
| D647,532 | S | * | 10/2011 | Busch | | D14/480.3 |
| D650,390 | S | * | 12/2011 | Aqqad et al. | | D14/480.6 |
| 2006/0231618 | A1 | * | 10/2006 | Chen | | 235/441 |
| 2010/0221937 | A1 | * | 9/2010 | Choi et al. | | 439/142 |

* cited by examiner

Primary Examiner — Karen E Kearney

(74) *Attorney, Agent, or Firm* — DWC Law Firm, P.S.;
David Chen

(57) **CLAIM**

The ornamental design for a portable memory unit, as shown and described.

DESCRIPTION

FIG. 1 is a back side perspective view of the portable memory unit with the connector folded inward.

FIG. 2 is a back side perspective view thereof with the connector extended outward.

FIG. 3 is a front side perspective view thereof.

FIG. 4 is a top plan view thereof.

FIG. 5 is a bottom plan view thereof.

FIG. 6 is a right side elevation view thereof.

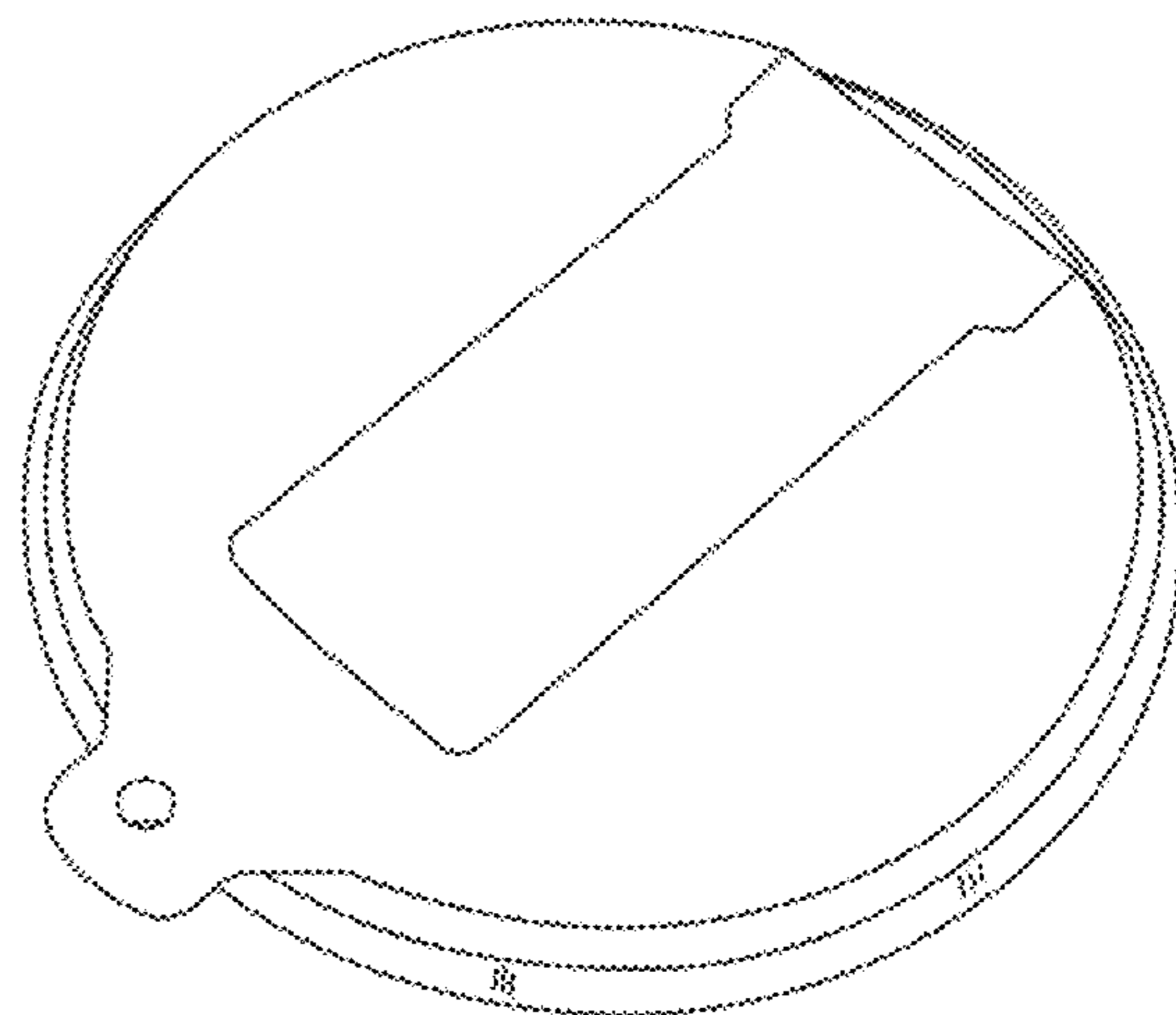
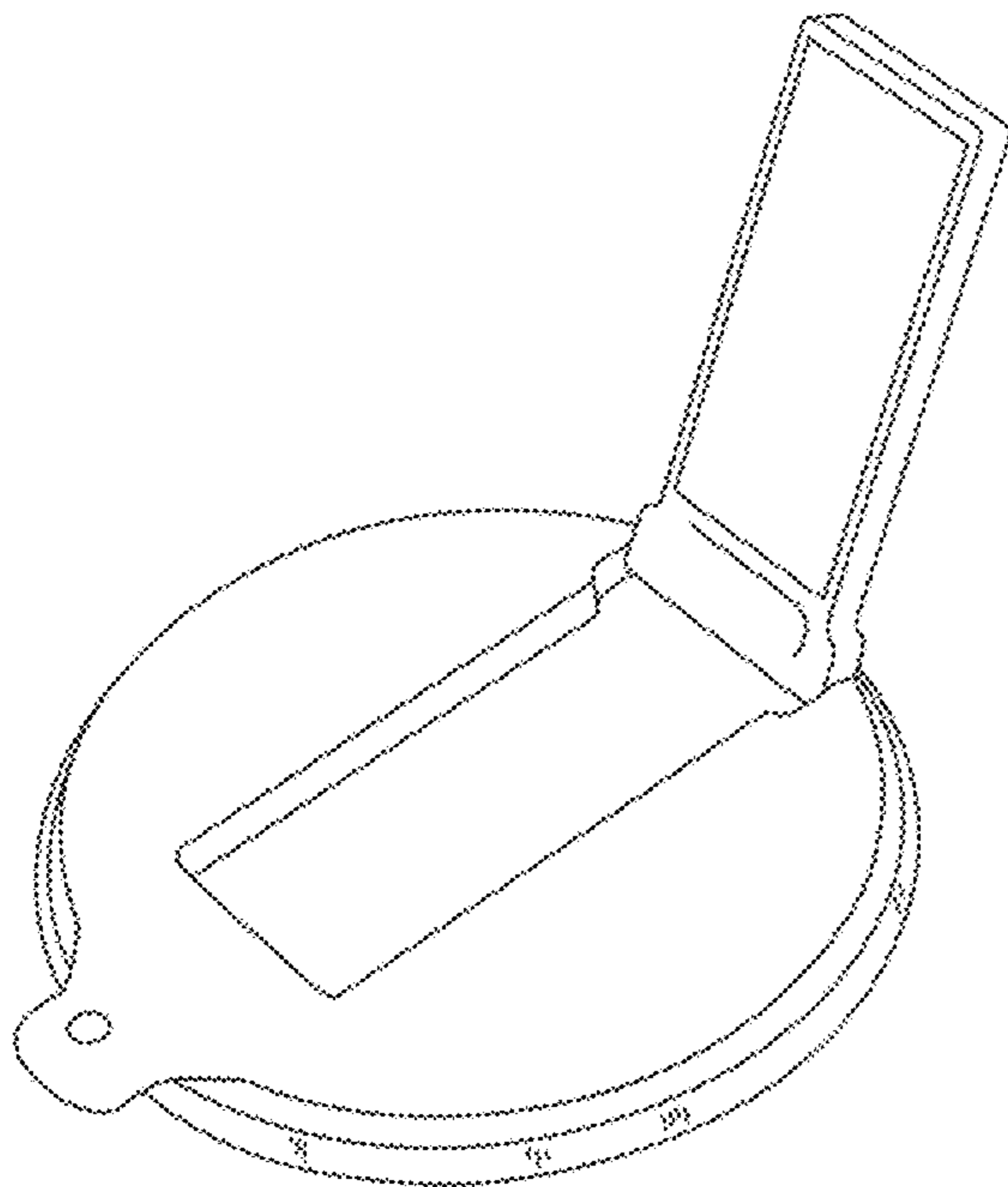
FIG. 7 is a left side elevation view thereof.

FIG. 8 is a front elevation view thereof; and,

FIG. 9 is a back elevation view thereof.

The broken lines are for illustrative purposes only and form no part of the claimed design.

1 Claim, 8 Drawing Sheets



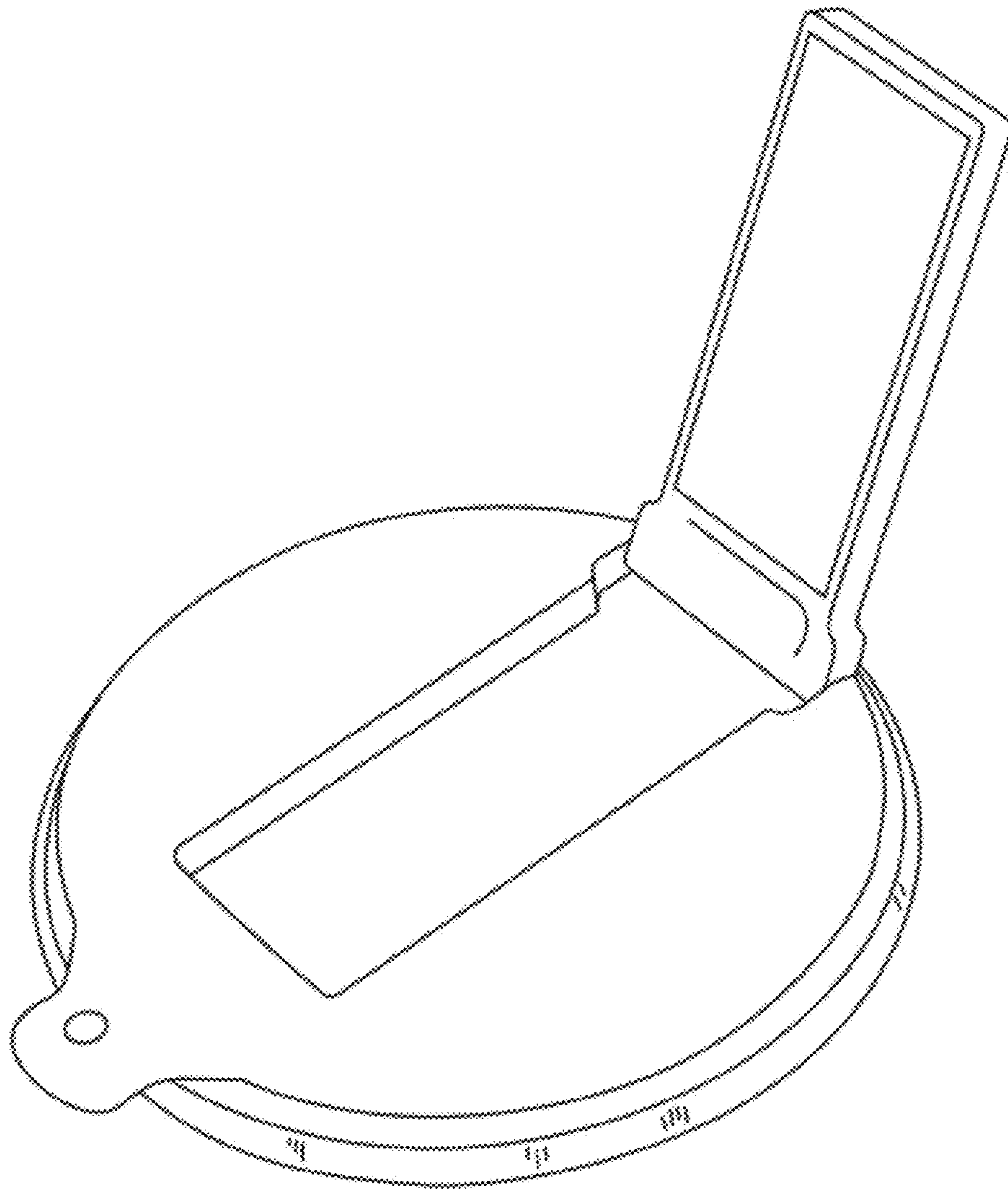


FIG. 1

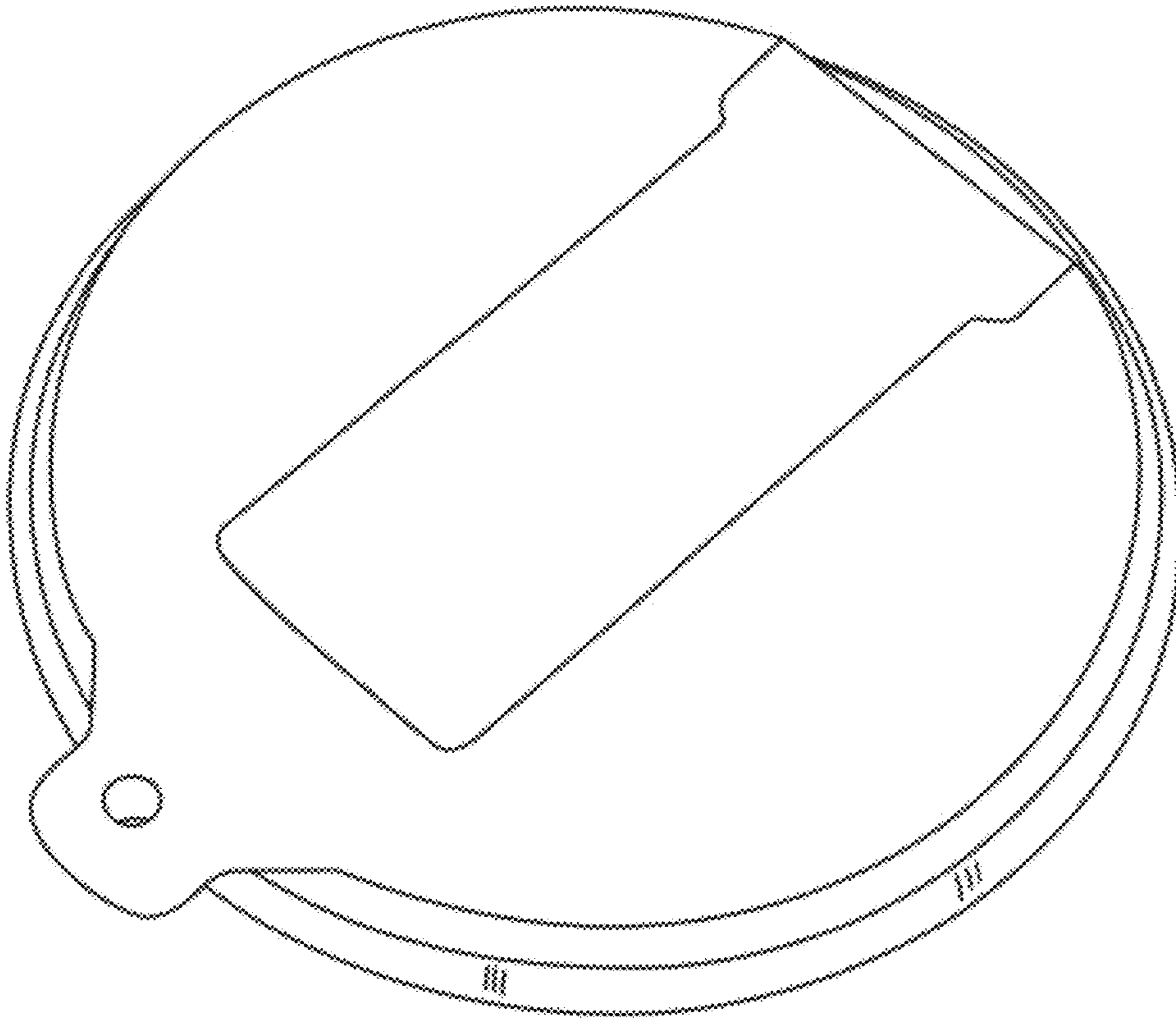


FIG. 2

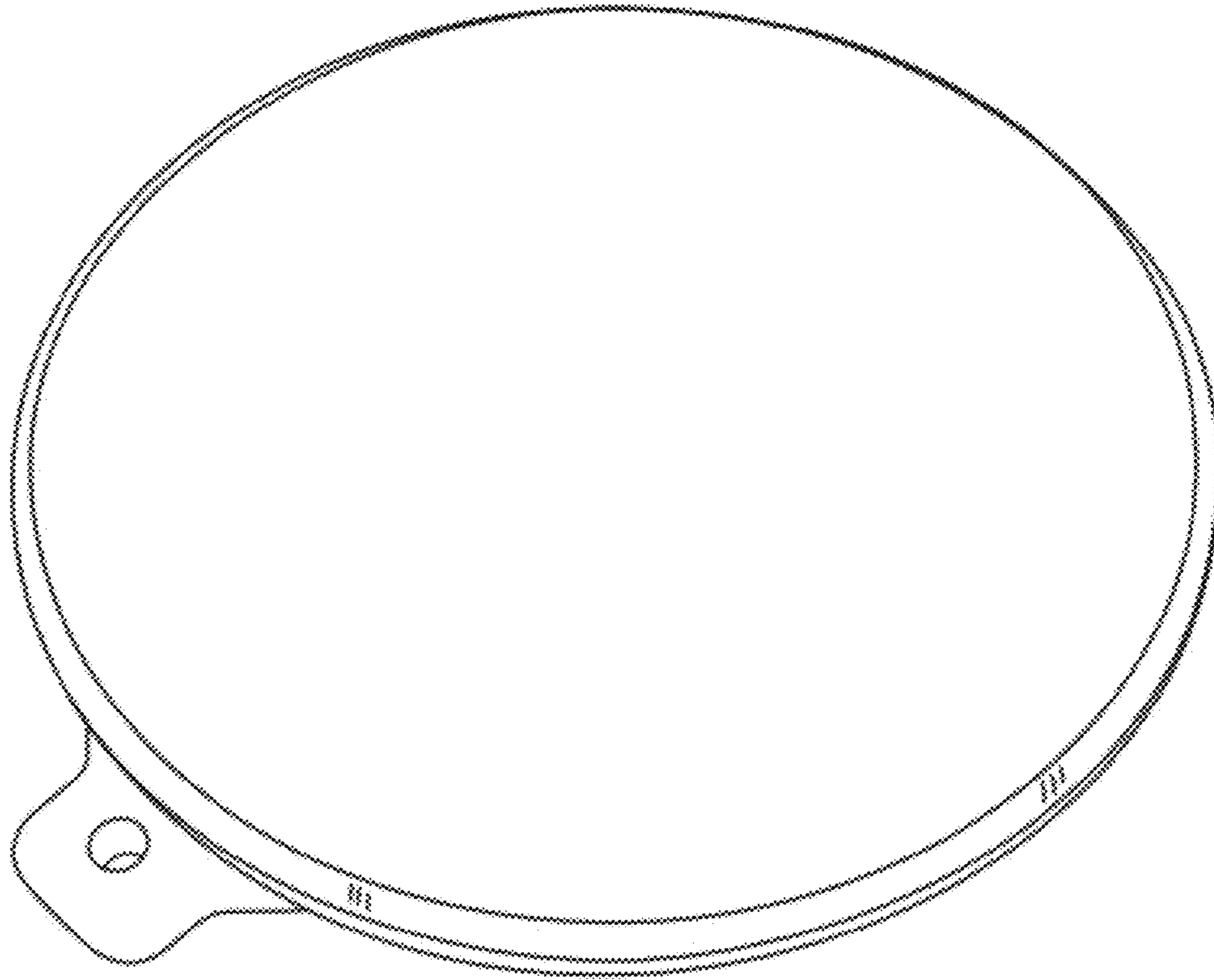


FIG. 3



FIG. 4

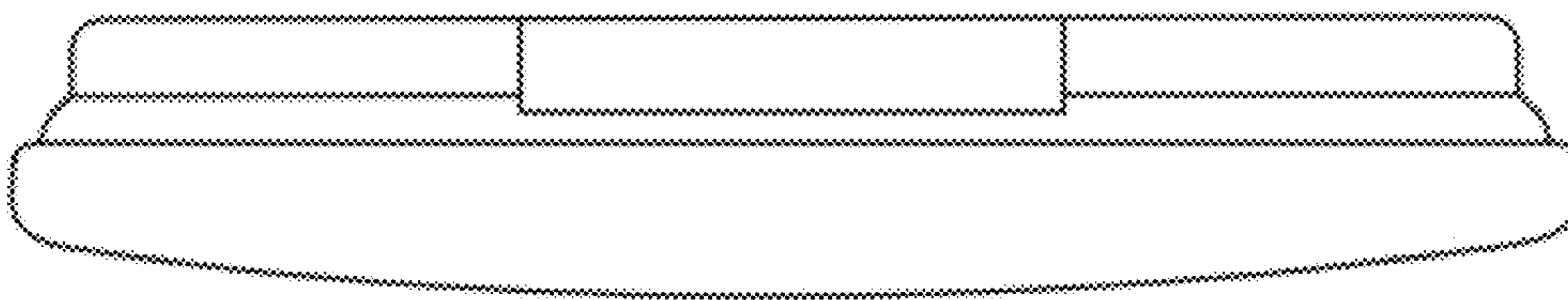


FIG. 5

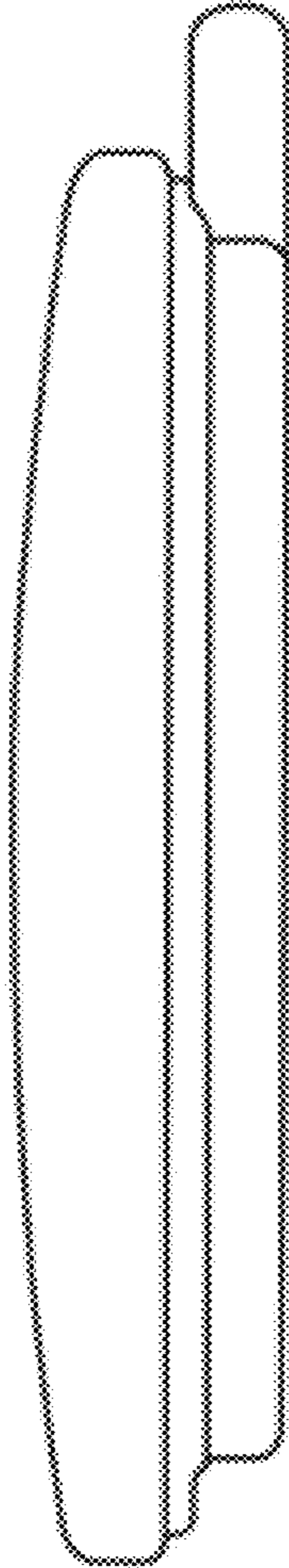


FIG. 6

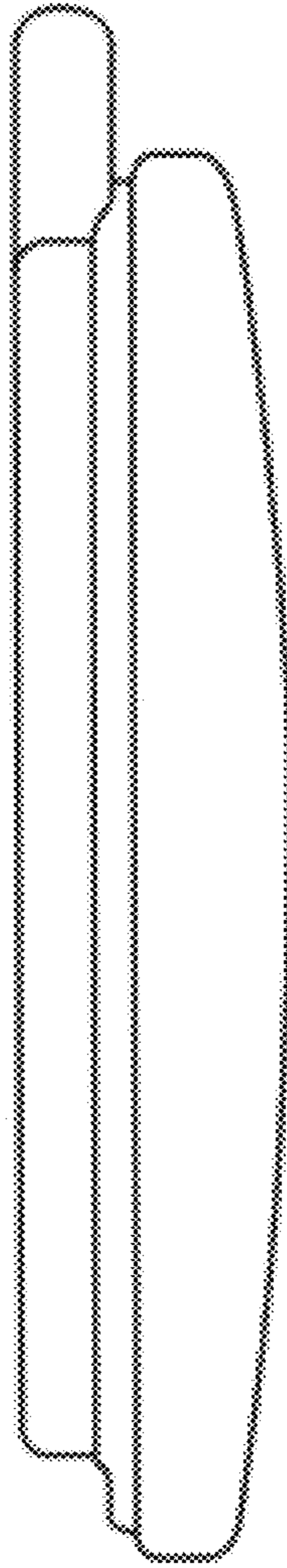


FIG. 7

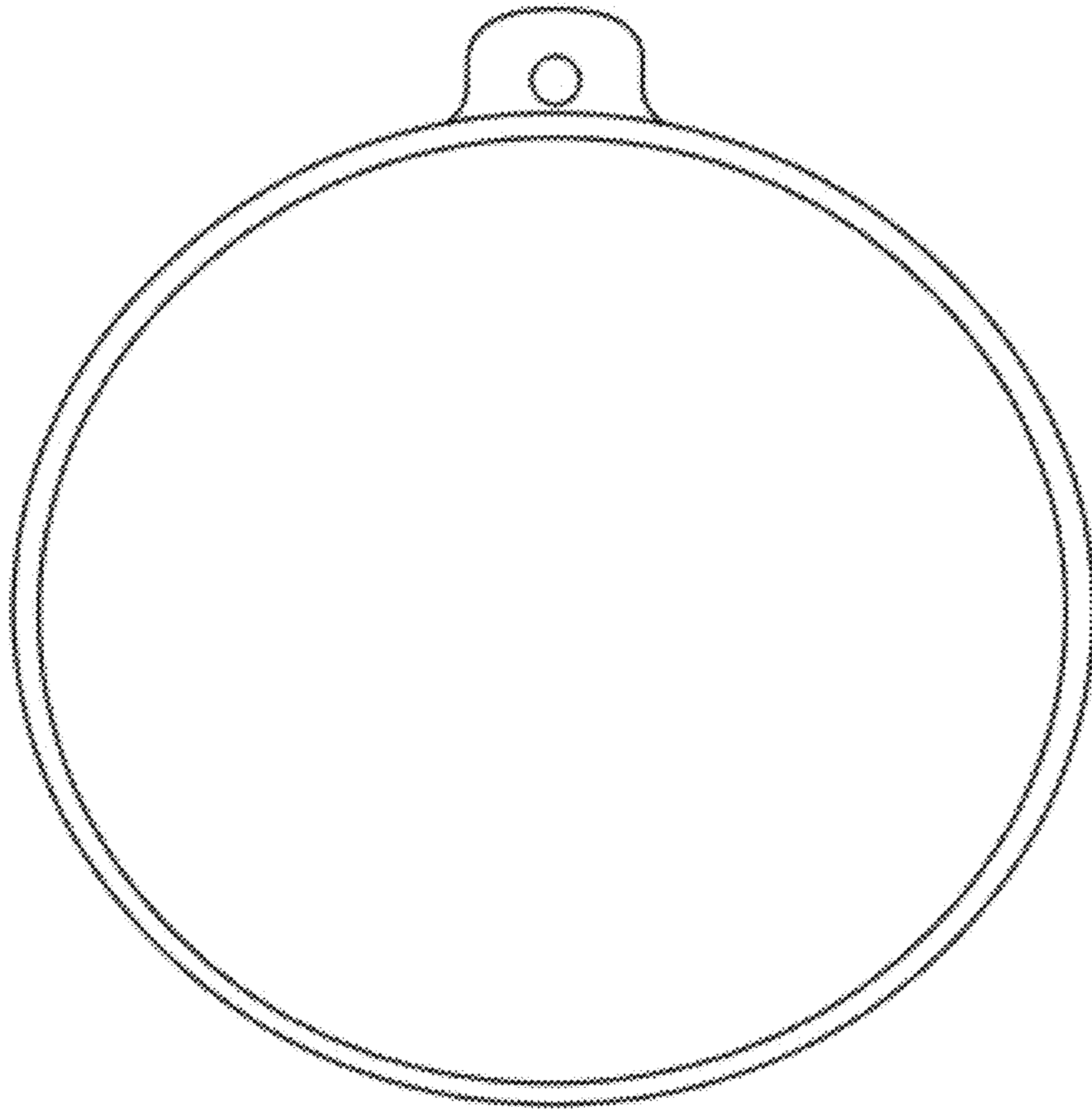


FIG. 8

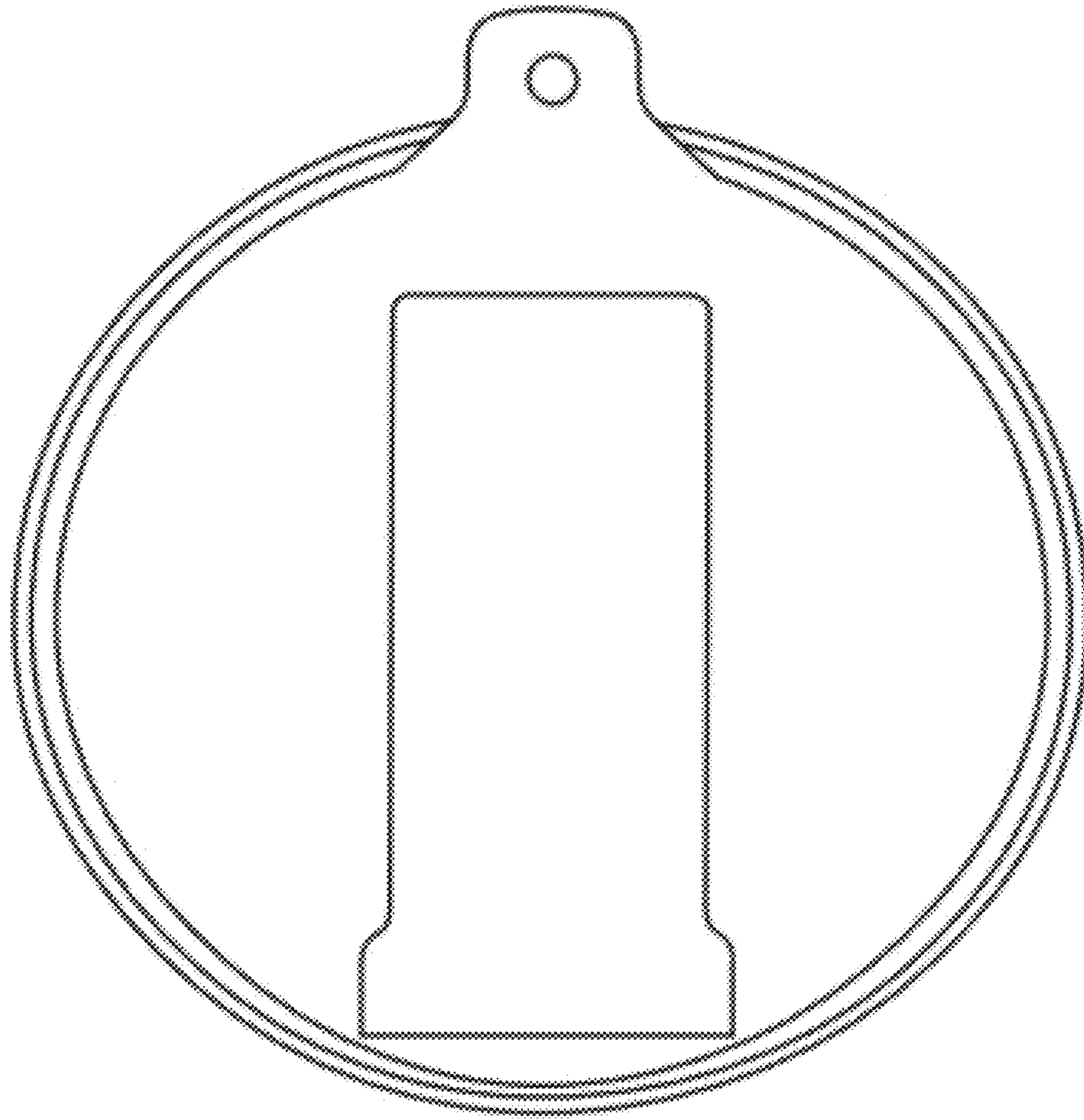


FIG. 9