



US00D675215S

(12) **United States Design Patent**
Akana et al.

(10) **Patent No.:** **US D675,215 S**
(45) **Date of Patent:** **** Jan. 29, 2013**

(54) **USB DEVICE**

(56) **References Cited**

(75) Inventors: **Jody Akana**, San Francisco, CA (US);
Bartley K. Andre, Menlo Park, CA
(US); **Jeremy Bataillou**, San Francisco,
CA (US); **Daniel J. Coster**, San
Francisco, CA (US); **Daniele De Iuliis**,
San Francisco, CA (US); **Evans**
Hankey, San Francisco, CA (US);
Richard P. Howarth, San Francisco, CA
(US); **Jonathan P. Ive**, San Francisco,
CA (US); **Duncan Robert Kerr**, San
Francisco, CA (US); **Shin Nishibori**,
Portola Valley, CA (US); **Matthew Dean**
Rohrbach, San Francisco, CA (US);
Peter Russell-Clarke, San Francisco,
CA (US); **Christopher J. Stringer**,
Woodside, CA (US); **Eugene Antony**
Whang, San Francisco, CA (US); **Rico**
Zorkendorfer, San Francisco, CA (US)

U.S. PATENT DOCUMENTS

D99,521	S	*	5/1936	Reilly	D26/37
D306,042	S	*	2/1990	Evenson	D20/10
D308,078	S	*	5/1990	Dallal et al.	D20/10
D322,963	S	*	1/1992	Kittirutsunetorn	D14/242
D372,707	S		8/1996	Grewe et al.		
D397,465	S	*	8/1998	Youri	D26/38
D447,481	S		9/2001	Wallace et al.		
D452,245	S	*	12/2001	Wallace et al.	D14/436
D452,246	S		12/2001	Wallace et al.		
D463,393	S	*	9/2002	Kataoka	D14/167
6,480,390	B2		11/2002	Matsumiya et al.		
6,744,634	B2		6/2004	Yen		
D513,005	S		12/2005	Kobayakawa		
D518,483	S		4/2006	Yu et al.		

(Continued)

FOREIGN PATENT DOCUMENTS

KR 3004727180000 12/2007

(Continued)

Primary Examiner — Karen E Kearney

(74) *Attorney, Agent, or Firm* — Sterne, Kessler, Gold-
stein & Fox, P.L.L.C.

(57) **CLAIM**

The ornamental design for a USB device, as shown and
described.

DESCRIPTION

FIG. 1 is a front perspective view of a USB device showing
our new design;

FIG. 2 is a rear perspective view thereof;

FIG. 3 is another front perspective view thereof;

FIG. 4 is another rear perspective view thereof;

FIG. 5 is a front view thereof;

FIG. 6 is a rear view thereof;

FIG. 7 is a left side view thereof;

FIG. 8 is a right side view thereof;

FIG. 9 is a top view thereof; and,

FIG. 10 is a bottom view thereof.

The broken lines in the Figures show portions of a USB
device which form no part of the claimed design. The shade
lines in the Figures show contour and not surface ornamen-
tation.

1 Claim, 8 Drawing Sheets

(73) Assignee: **Apple Inc.**, Cupertino, CA (US)

(**) Term: **14 Years**

(21) Appl. No.: **29/416,442**

(22) Filed: **Mar. 22, 2012**

Related U.S. Application Data

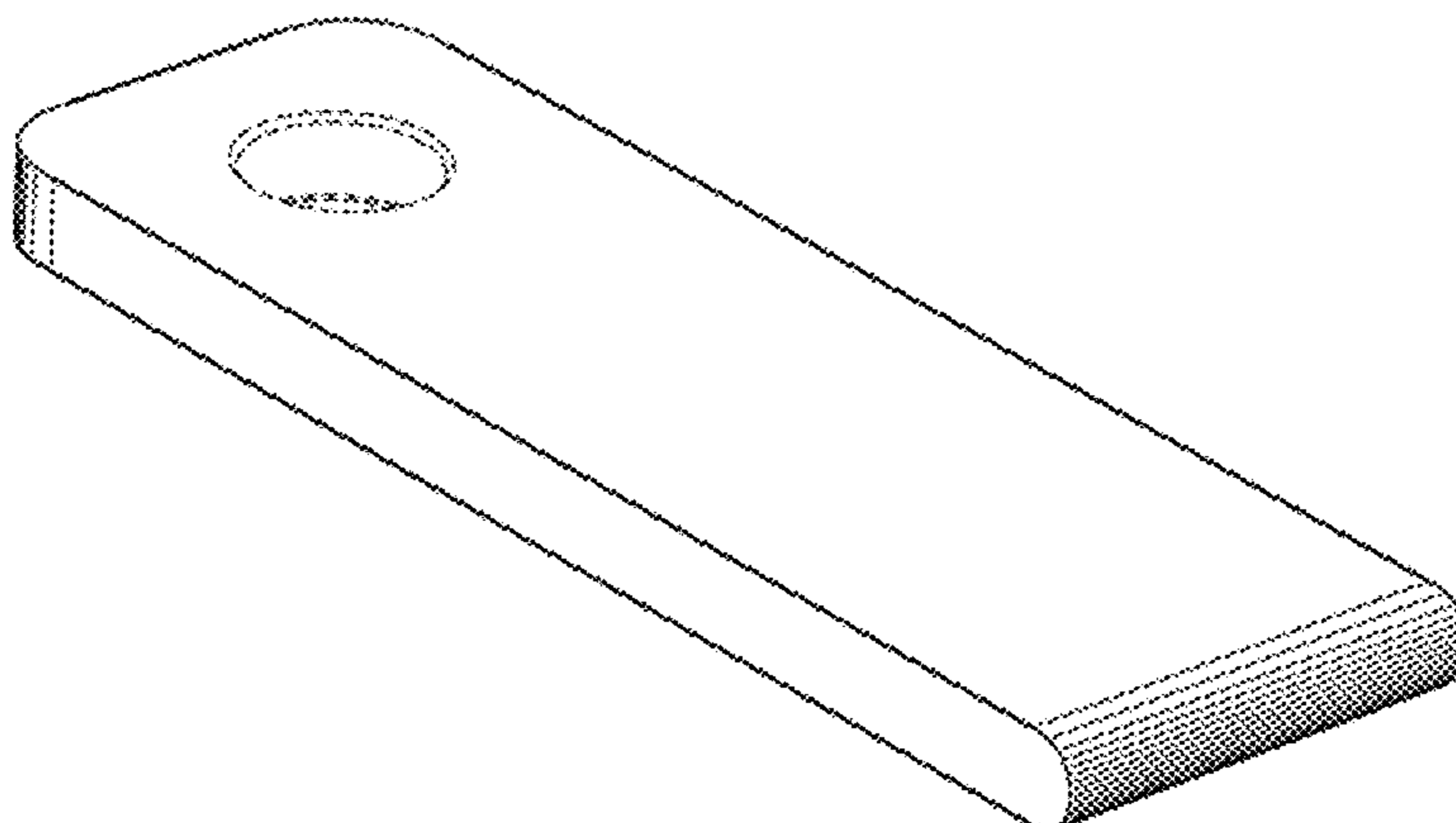
(63) Continuation of application No. 29/377,060, filed on
Oct. 15, 2010, now Pat. No. Des. 658,665.

(51) **LOC (9) Cl.** **14-02**

(52) **U.S. Cl.** **D14/480.1**

(58) **Field of Classification Search** D14/411,
D14/433, 435, 435.1, 436-438, 455, 480.1-480.7,
D14/484.1, 137, 155, 203.1-203.8, 218, 240;
D13/133, 146-147, 154, 168; 710/300, 301;
439/131, 135-147; 361/679.31, 679.33,
361/679.4, 752; 711/100, 115; D19/9; D20/10,
D20/19, 27, 40; D26/37; D30/155; 40/299.01,
40/625, 642.01

See application file for complete search history.



US D675,215 S

Page 2

U.S. PATENT DOCUMENTS

D529,044 S 9/2006 Andre et al.
D537,036 S * 2/2007 Chen D14/433
D539,814 S 4/2007 Andre et al.
D558,226 S * 12/2007 Honda D14/496
D558,783 S 1/2008 Andre et al.
D559,249 S * 1/2008 Takei D14/480.6
D559,903 S * 1/2008 Schwab D19/9
D559,904 S * 1/2008 Schwab D19/9
D605,635 S * 12/2009 Edahiro et al. D14/218
D608,303 S 1/2010 Klausning et al.
D620,456 S 7/2010 Akana et al.
D627,069 S * 11/2010 Mehlsen et al. D24/174

D641,753 S * 7/2011 Obata D14/356
D656,141 S * 3/2012 Schlosstein D14/480.1
D658,665 S * 5/2012 Akana et al. D14/480.1
D660,857 S * 5/2012 Emami D14/480.3
D666,201 S * 8/2012 Gallagher et al. D14/436
2008/0094807 A1 * 4/2008 Hiew et al. 361/737
2010/0046156 A1 2/2010 Wei
2012/0190218 A1 * 7/2012 Patel et al. 439/59

FOREIGN PATENT DOCUMENTS

KR 3004946390000 6/2008

* cited by examiner

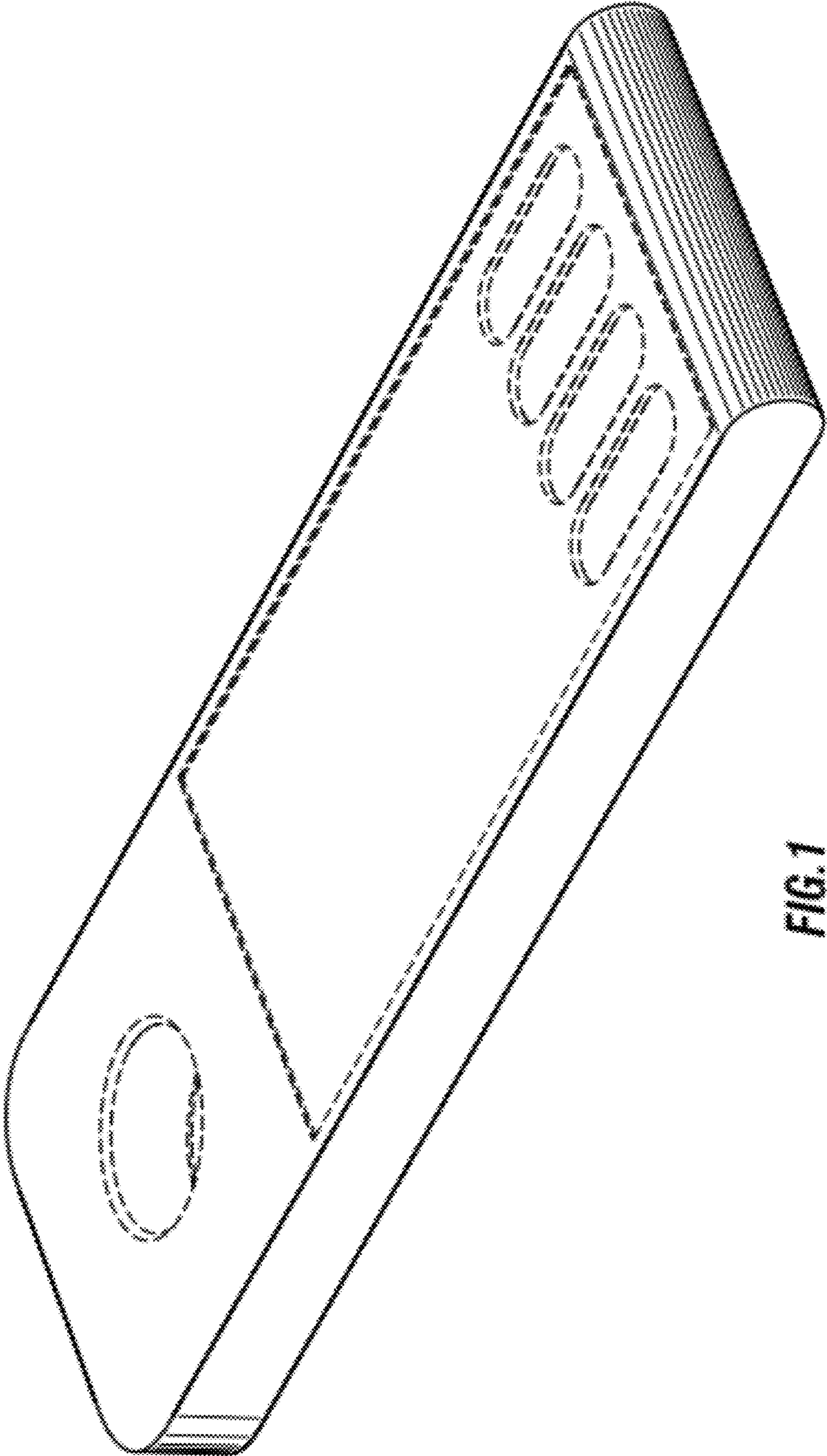


FIG. 1

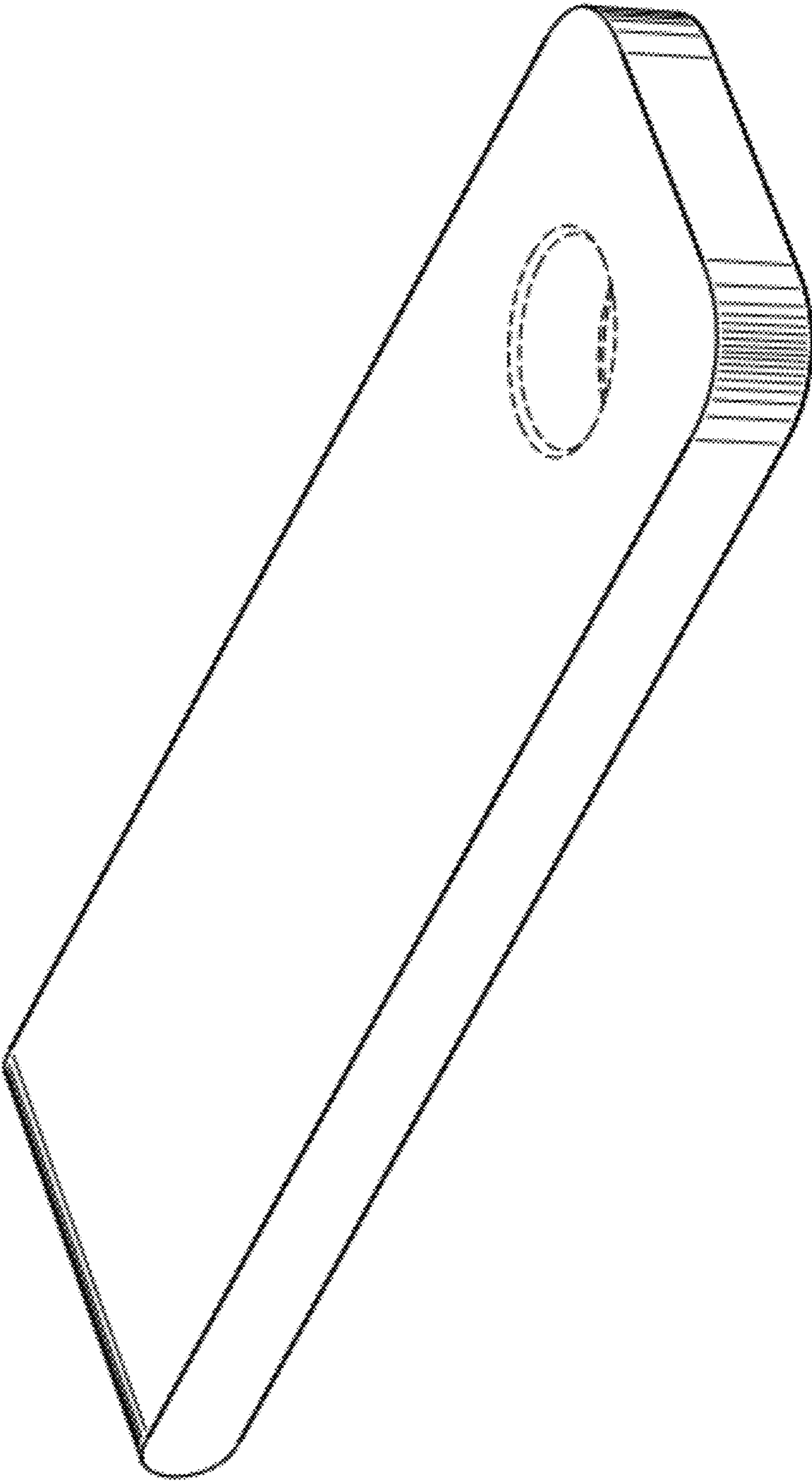


FIG.2

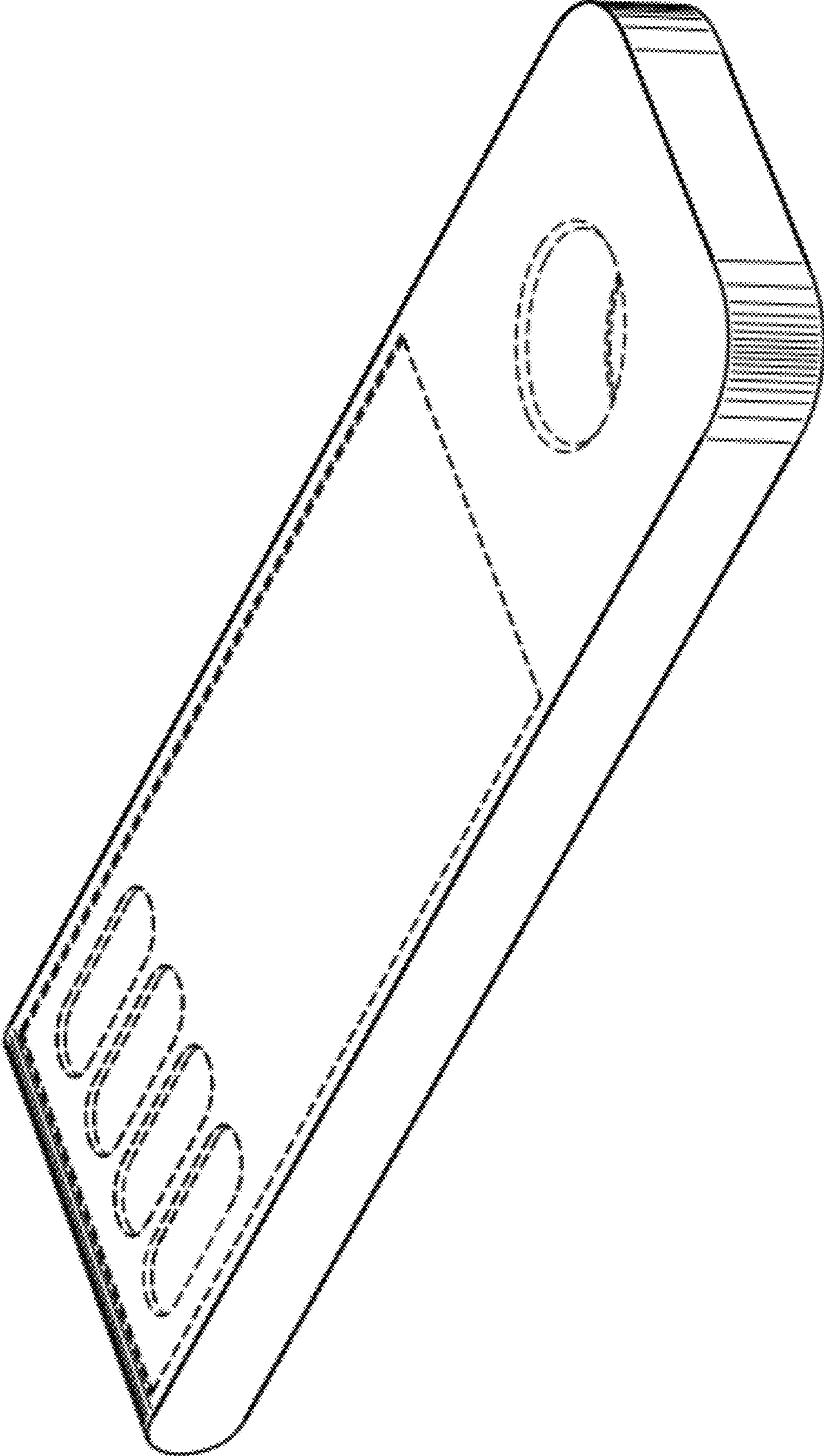


FIG.3

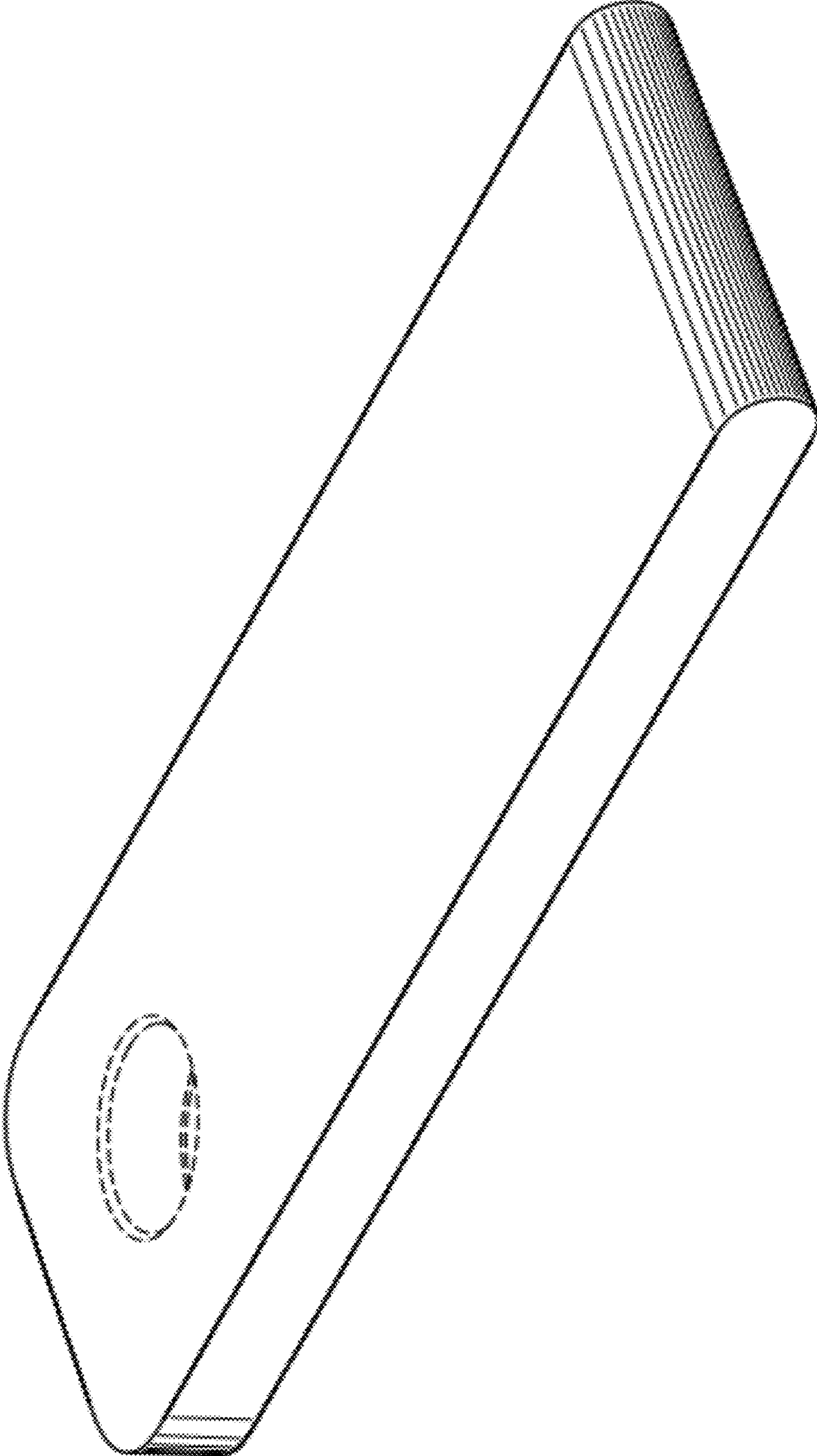


FIG. 4

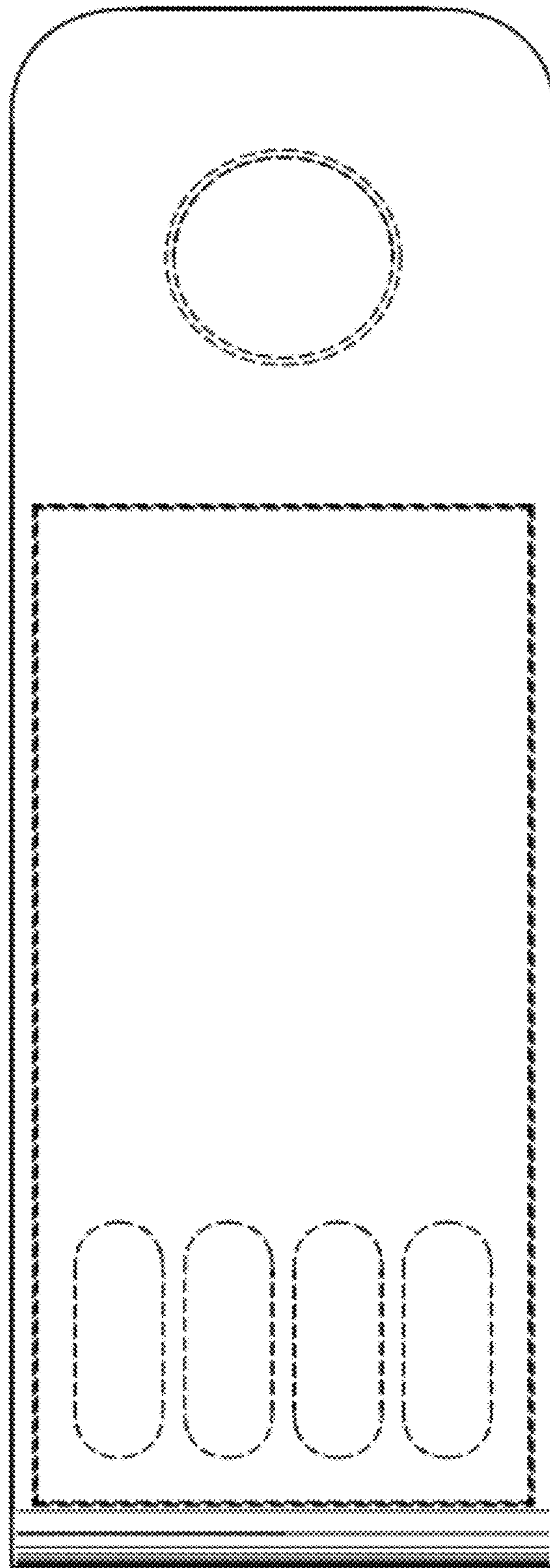


FIG. 5

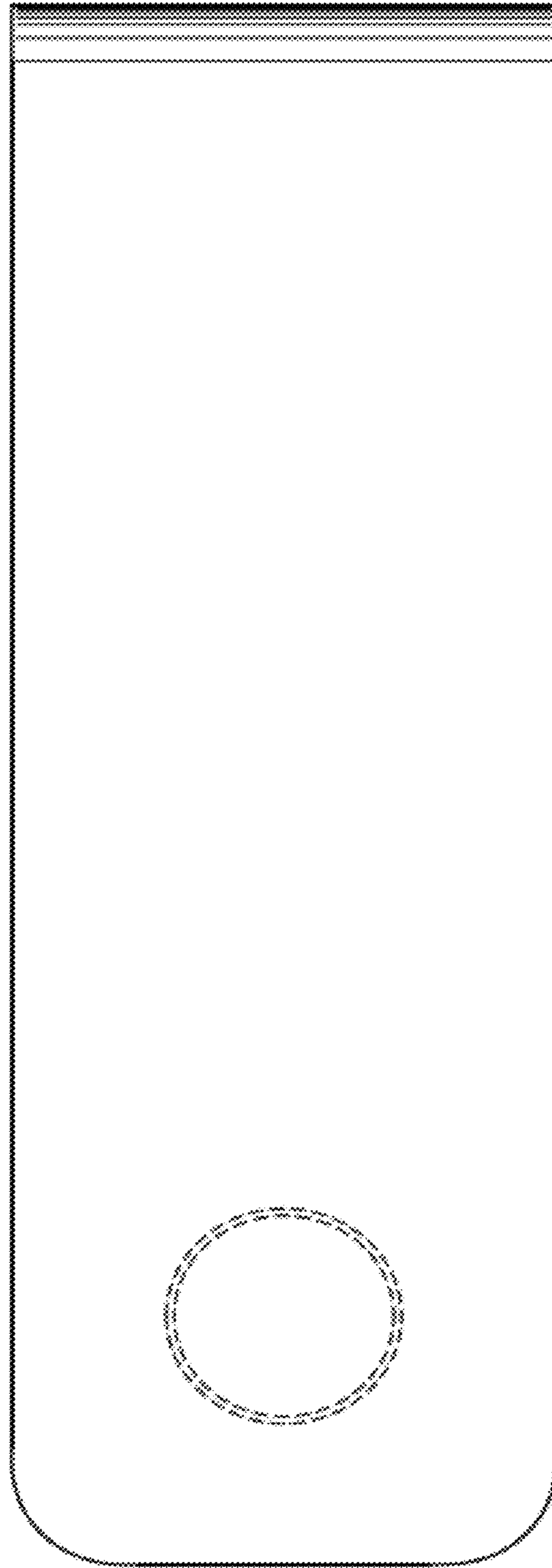


FIG.6

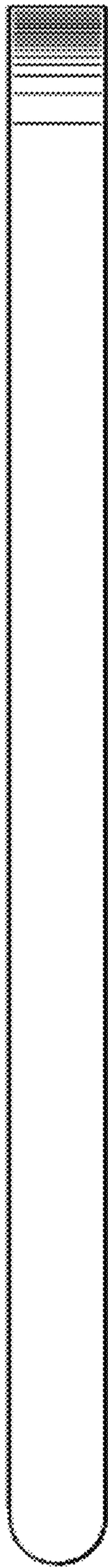


FIG. 7



FIG. 8



FIG. 9



FIG. 10