



US00D675214S

(12) **United States Design Patent**  
**Glaros et al.**

(10) **Patent No.:** **US D675,214 S**  
(45) **Date of Patent:** **\*\* Jan. 29, 2013**

- (54) **MOVABLE MOUNTING ARM**
- (75) Inventors: **Gregory Emil Glaros**, McLean, VA (US); **Eric Murach, Sr.**, Boiling Springs, PA (US)
- (73) Assignee: **Synexxus, Inc.**, Arlington, VA (US)
- (\*\*) Term: **14 Years**
- (21) Appl. No.: **29/425,024**
- (22) Filed: **Jun. 19, 2012**

**Related U.S. Application Data**

- (63) Continuation of application No. 29/379,492, filed on Nov. 19, 2010, now Pat. No. Des. 662,101.
- (51) **LOC (9) Cl.** ..... **08-07**
- (52) **U.S. Cl.** ..... **D14/452**
- (58) **Field of Classification Search** ..... D14/451, D14/452, 448, 447, 239, 353; D8/349, 363, D8/373, 380; 248/917, 918, 919, 920-924, 248/122.1, 124.1, 125.8, 371, 393, 157, 425, 248/176.1, 274.1, 280.11, 284.1, 291.1; 361/679.21, 361/679.22  
See application file for complete search history.

**References Cited**

**U.S. PATENT DOCUMENTS**

- 4,783,036 A \* 11/1988 Vossoughi ..... 248/281.11
- 5,332,181 A \* 7/1994 Schweizer et al. .... 248/123.11
- 6,695,270 B1 \* 2/2004 Smed ..... 248/274.1
- 7,048,242 B2 \* 5/2006 Oddsen, Jr. .... 248/280.11

- 7,246,780 B2 \* 7/2007 Oddsen, Jr. .... 248/282.1
- 7,395,995 B2 \* 7/2008 Chen ..... 248/284.1
- 7,748,666 B2 \* 7/2010 Oddsen et al. .... 248/123.11
- D640,709 S \* 6/2011 Stoelinga ..... D14/452
- D654,503 S \* 2/2012 Sapper ..... D14/452
- 2006/0060735 A1 \* 3/2006 Oddsen et al. .... 248/278.1
- 2007/0262210 A1 \* 11/2007 Oh et al. .... 248/125.1
- 2008/0029661 A1 \* 2/2008 Chen ..... 248/176.1

\* cited by examiner

*Primary Examiner* — Cynthia Ramirez

(74) *Attorney, Agent, or Firm* — Sterne, Kessler, Goldstein & Fox P.L.L.C.

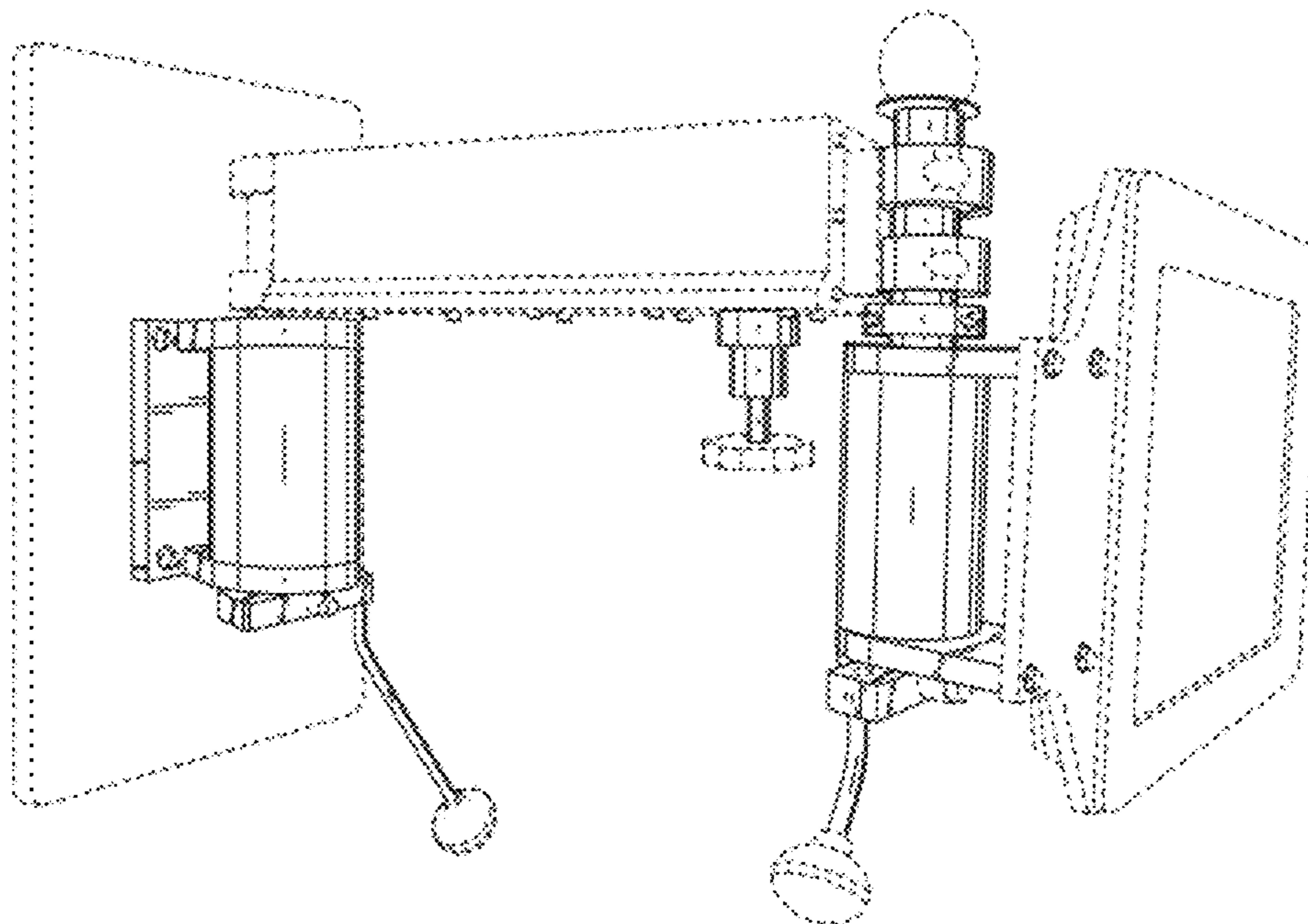
(57) **CLAIM**

The ornamental design for a movable mounting arm, as shown and described.

**DESCRIPTION**

FIG. 1 is a bottom perspective view of a movable mounting arm showing our new design. The movable mounting arm is shown with a monitor (in broken lines) in an open position; FIG. 2 is a front view thereof; FIG. 3 is a rear view thereof; and FIG. 4 is a left side view thereof; FIG. 5 is a right side view thereof; FIG. 6 is a top plan view thereof; FIG. 7 is a bottom plan view thereof; and, FIG. 8 is another bottom perspective view thereof, with the monitor in a closed position. The broken lines in the figures show portions of the movable mounting arm which form no part of the claimed design.

**1 Claim, 8 Drawing Sheets**



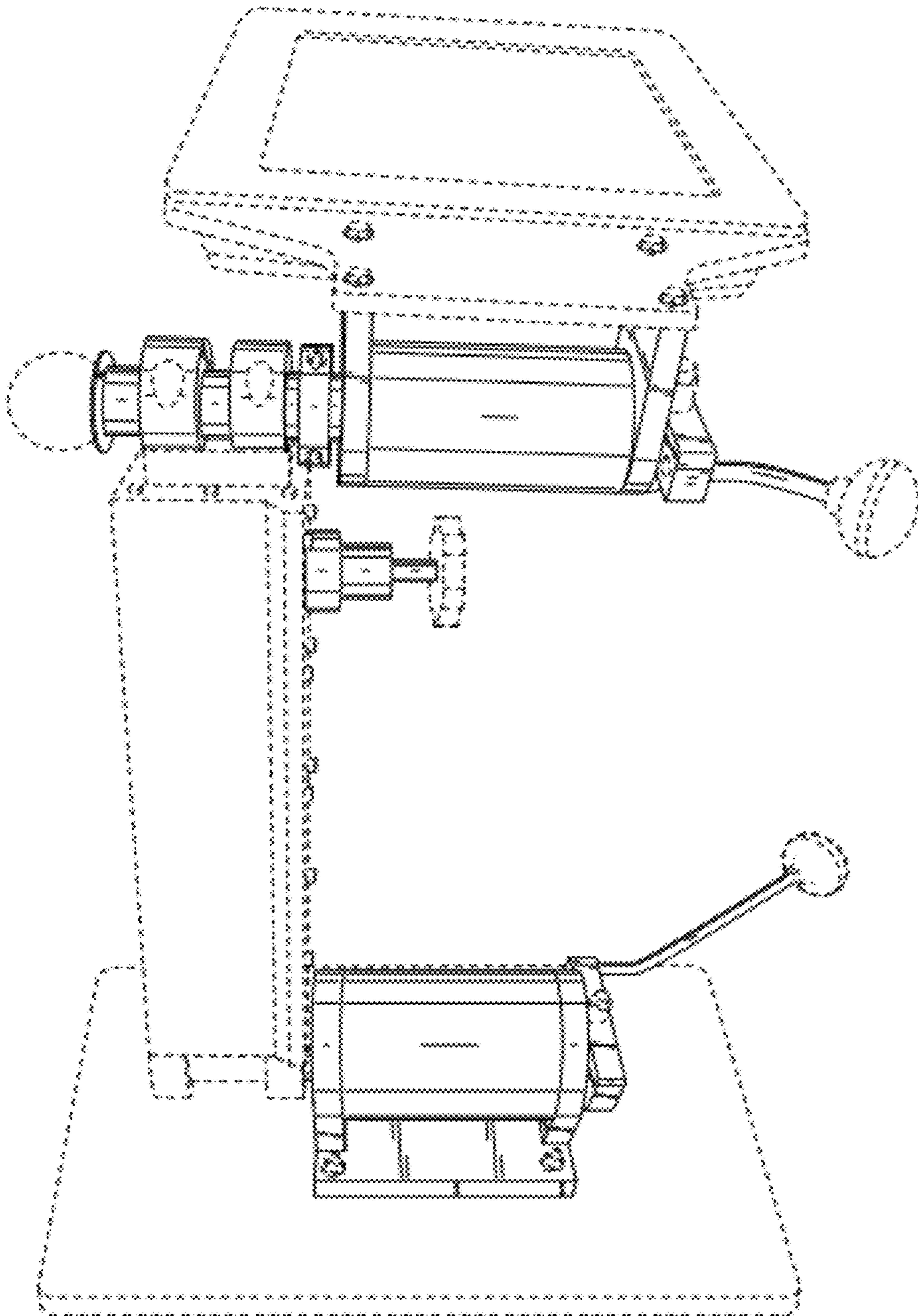


FIG. 1

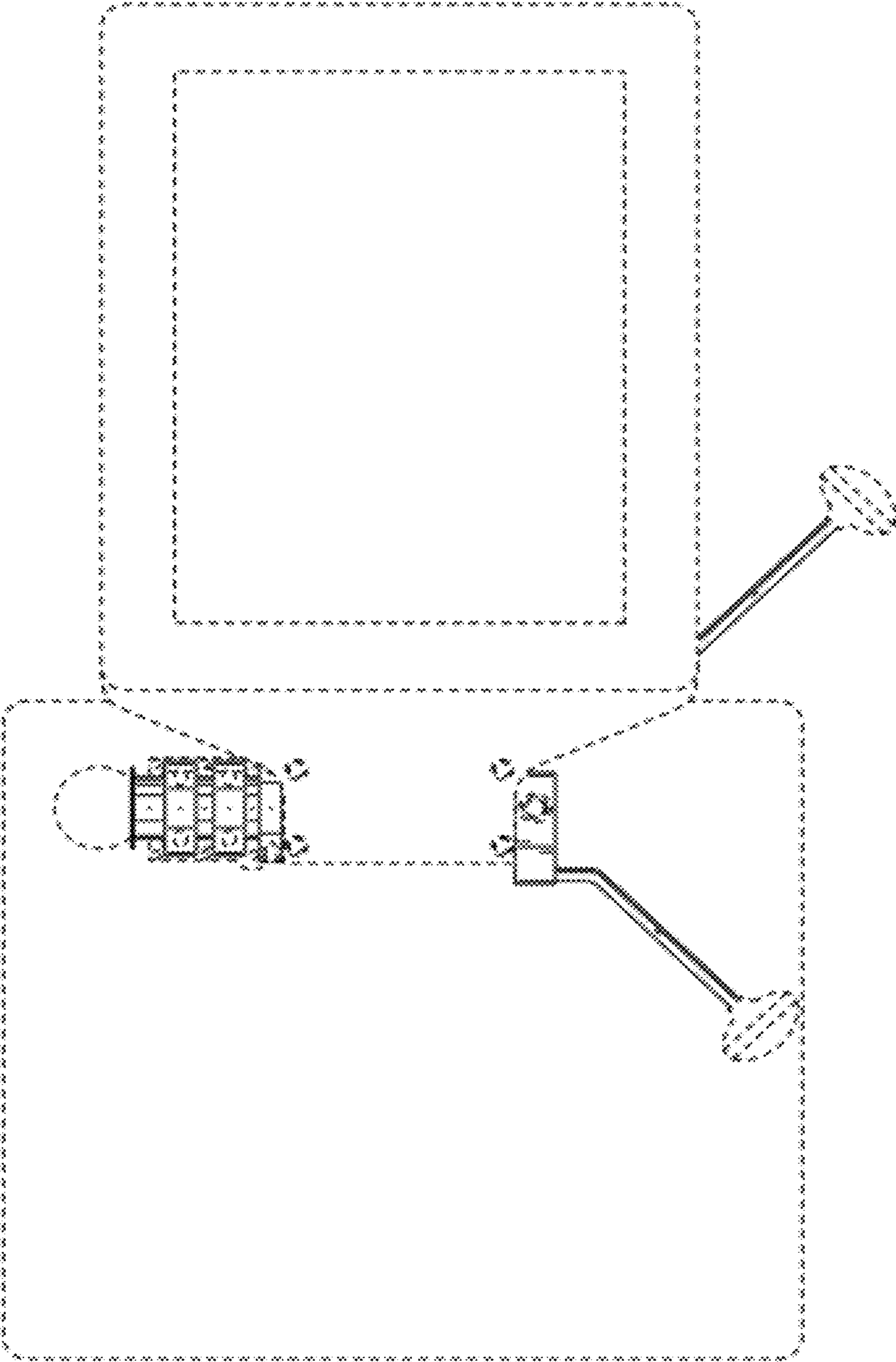


FIG. 2

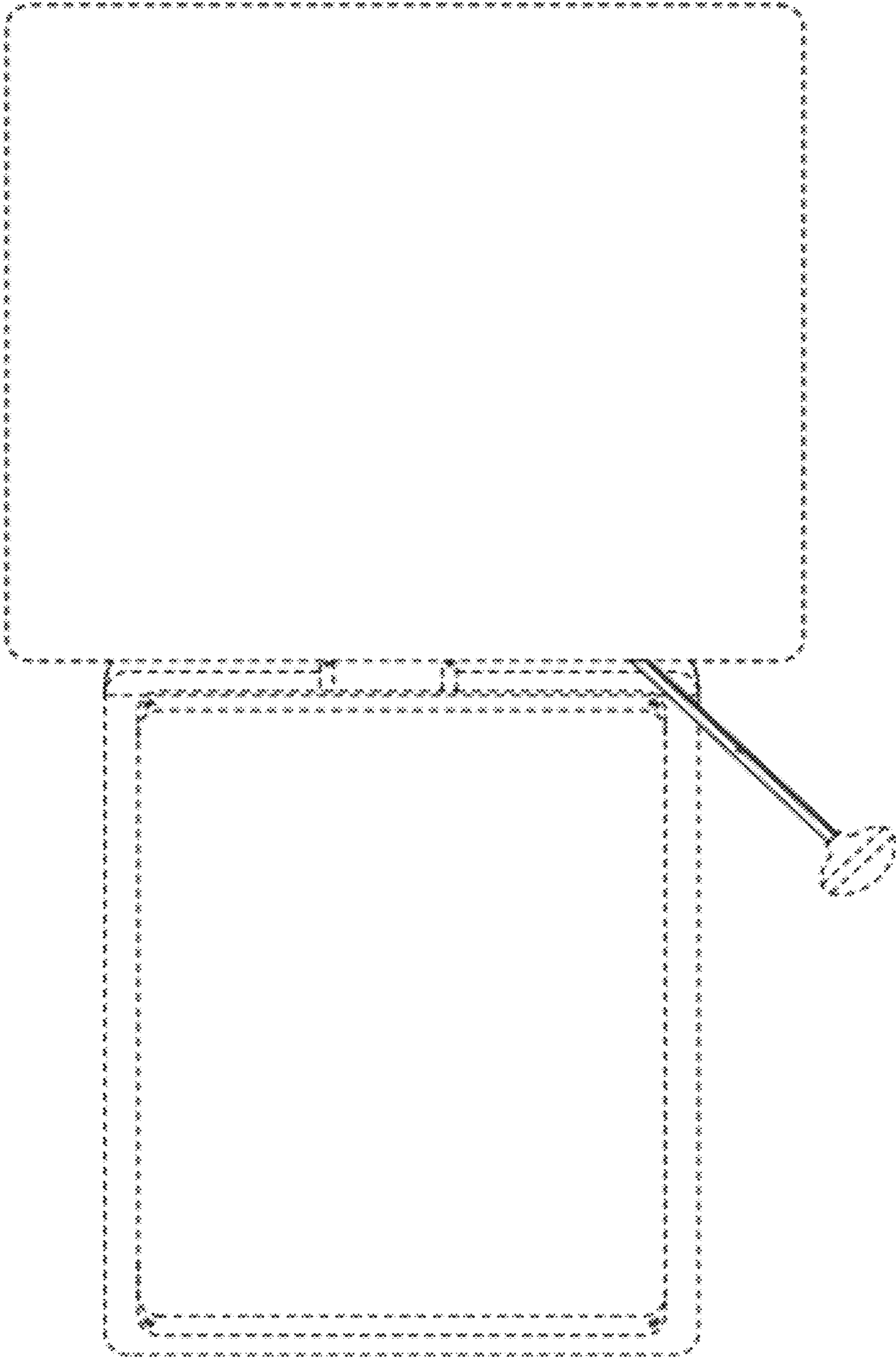


FIG. 3

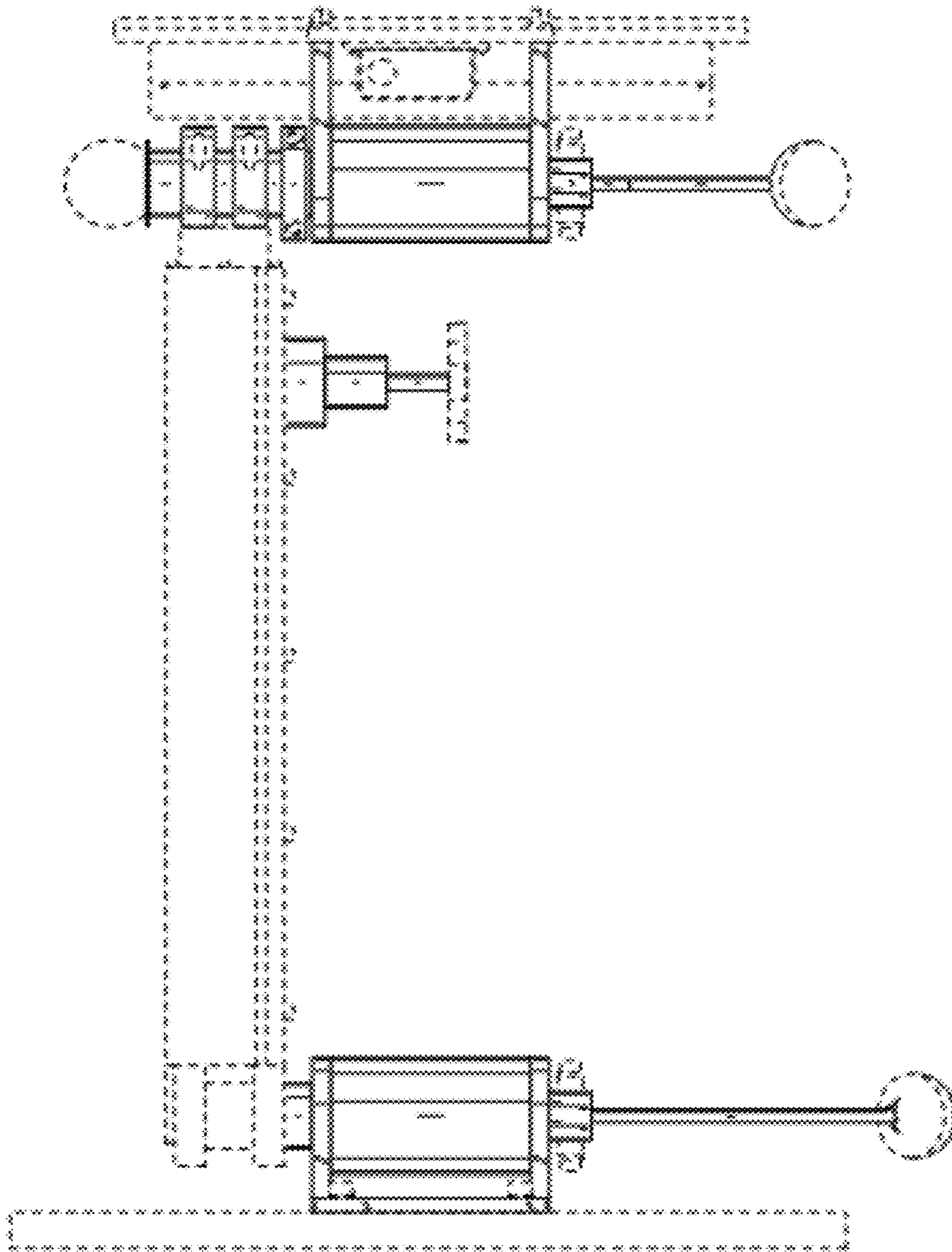


FIG. 4

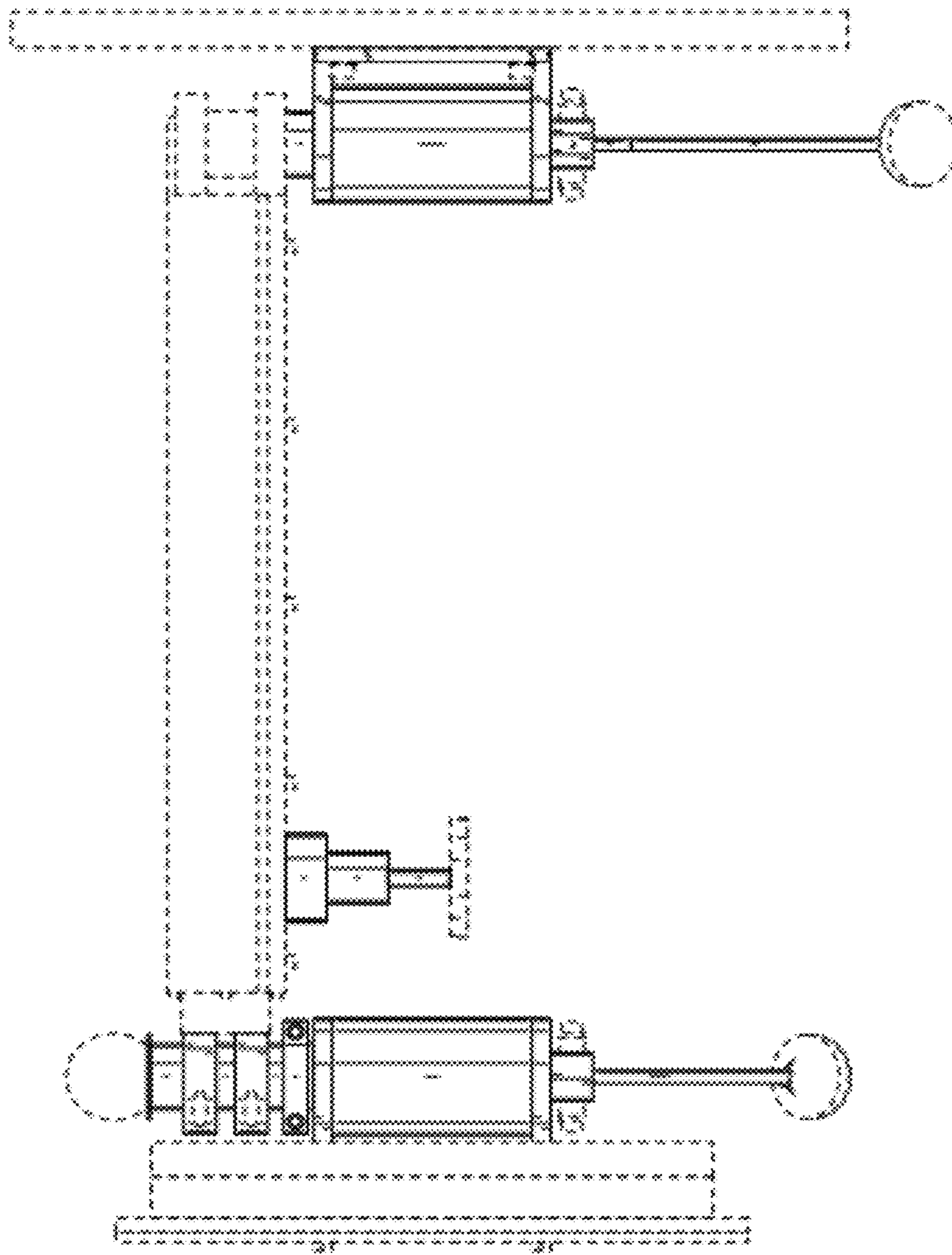


FIG. 5

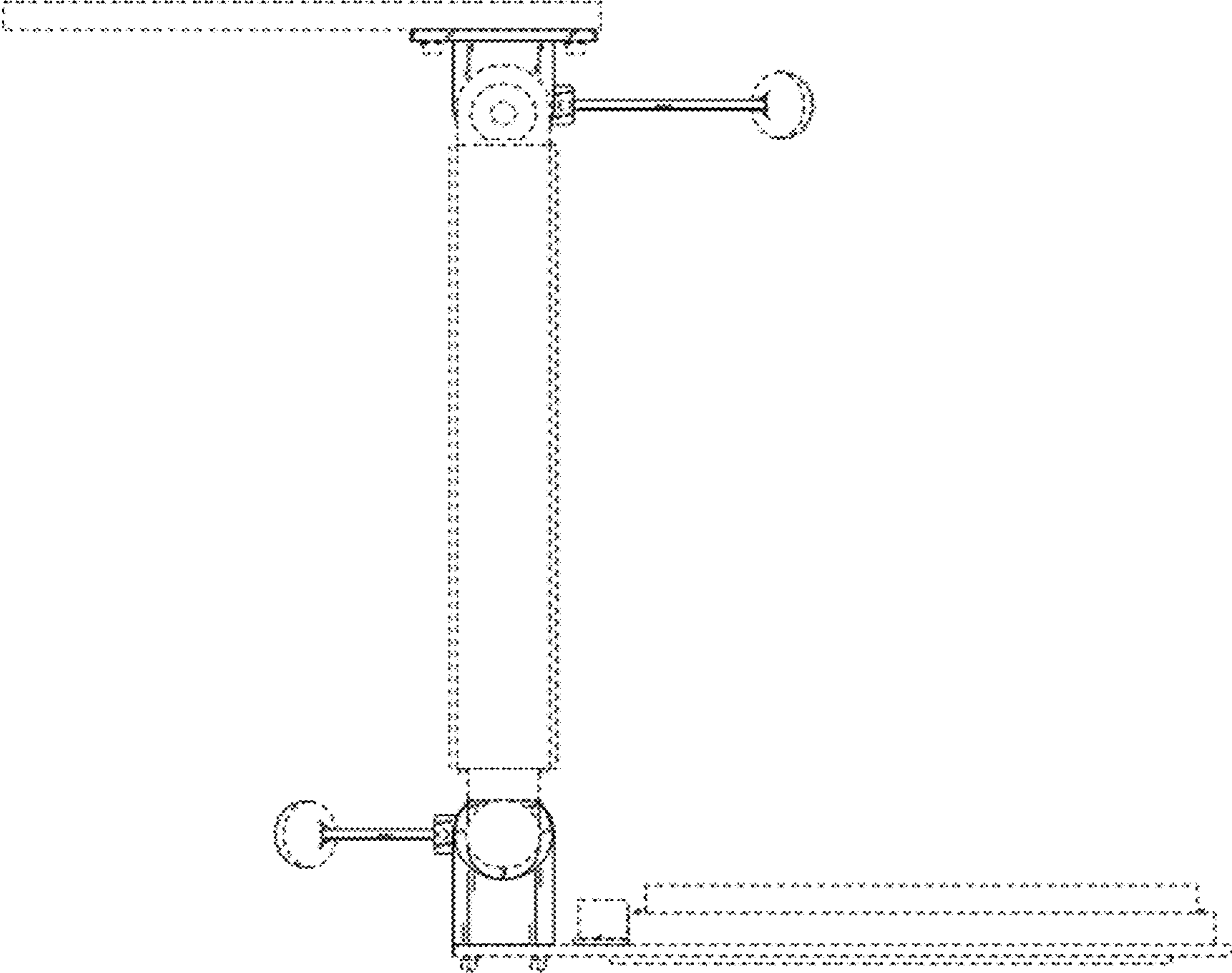


FIG. 6

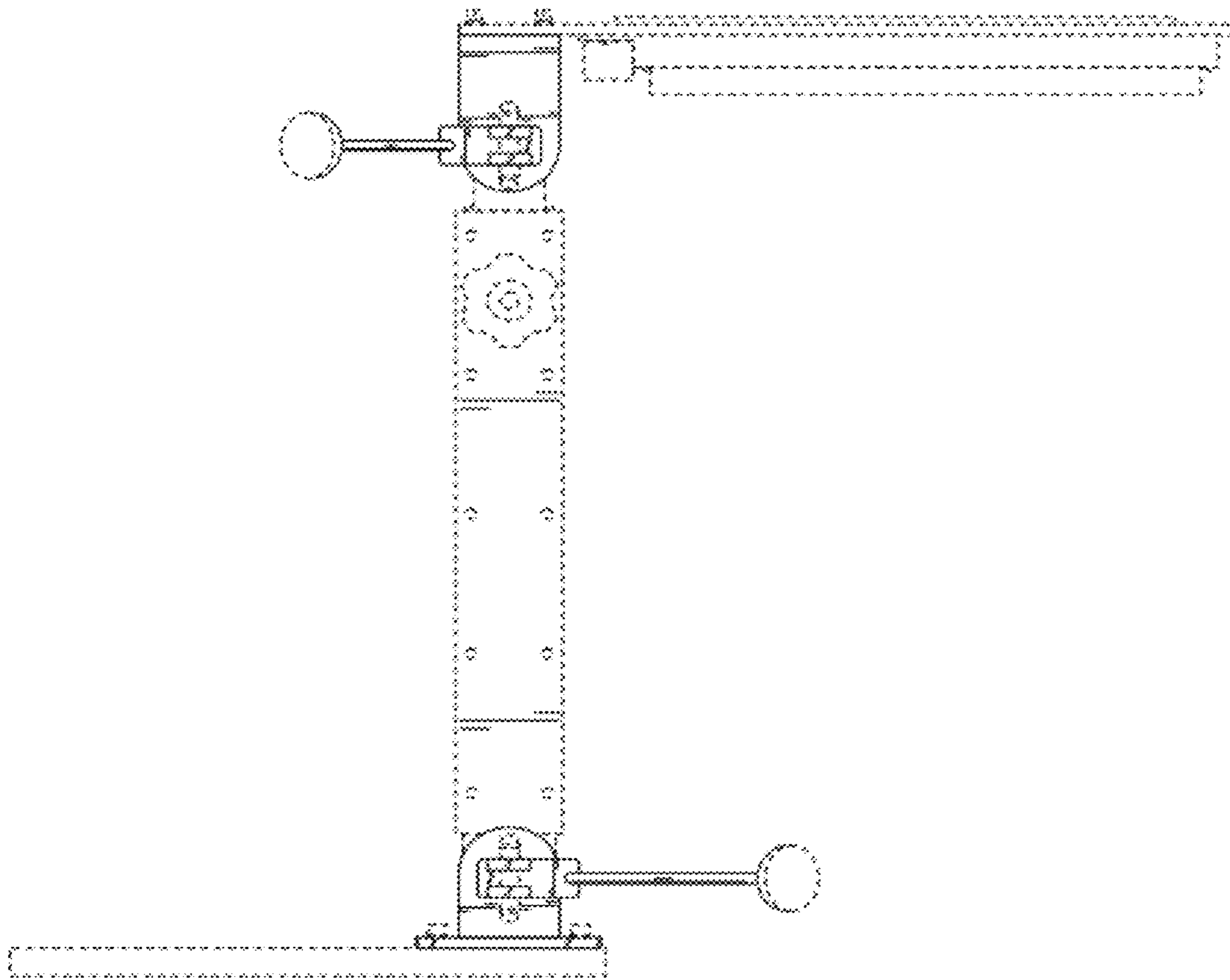


FIG. 7



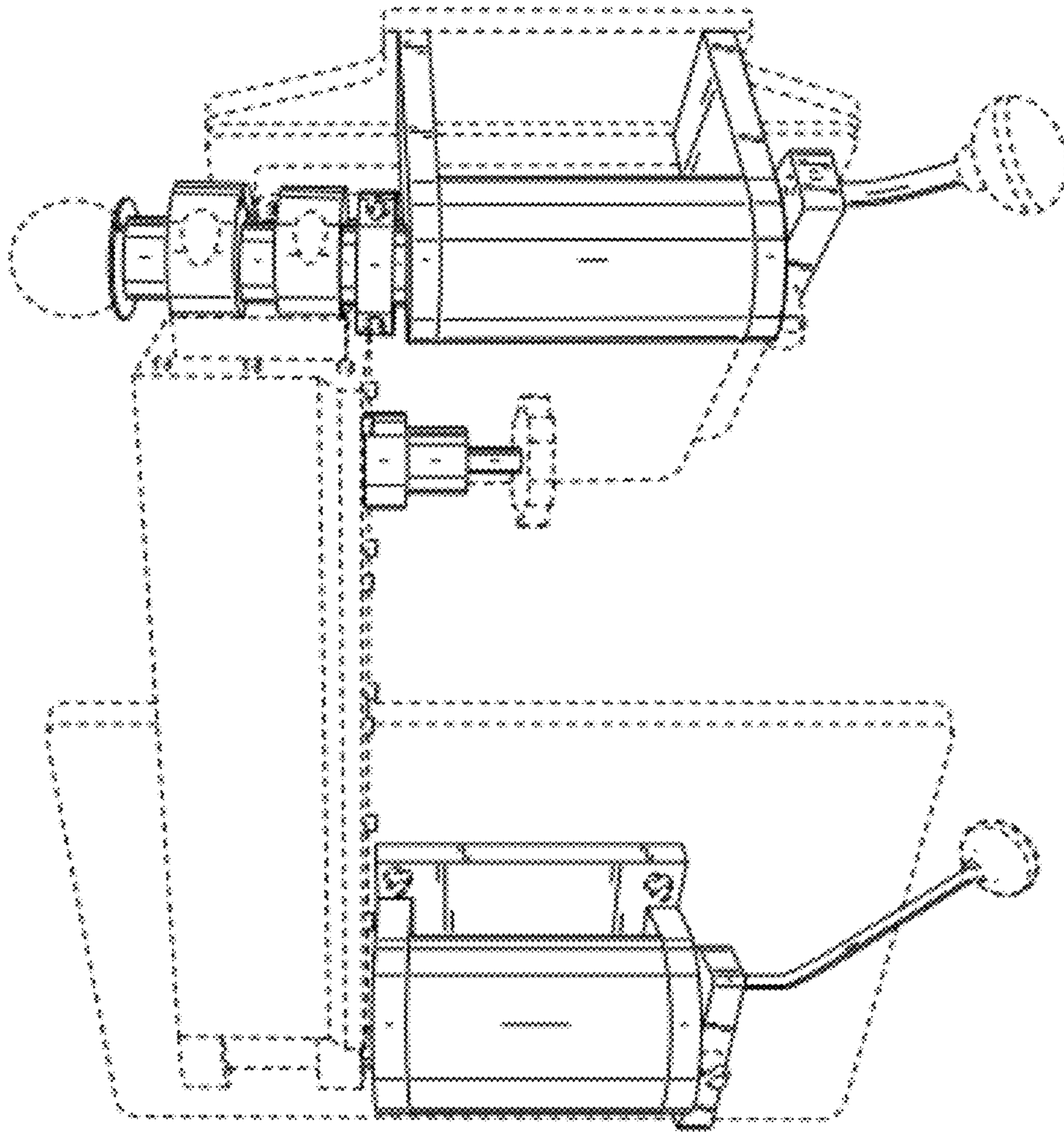


FIG. 8