



US00D675212S

(12) **United States Design Patent**
Chen

(10) **Patent No.:** **US D675,212 S**
(45) **Date of Patent:** **** Jan. 29, 2013**

(54) **SUPPORTING STAND**

(75) Inventor: **Ying-Chun Chen**, New Taipei (TW)

(73) Assignee: **Getac Technology Corporation**,
Hsinchu (TW)

(**) Term: **14 Years**

(21) Appl. No.: **29/423,861**

(22) Filed: **Jun. 5, 2012**

(51) **LOC (9) Cl.** **08-07**

(52) **U.S. Cl.** **D14/447**

(58) **Field of Classification Search** D14/447,
D14/432, 434, 433, 439, 440, 448, 451, 452,
D14/457, 460, 217, 239, 238.1, 250, 251,
D14/253, 203.8, 341, 336, 371, 372, 374,
D14/375, 376, 377, 378, 379, 392; D13/107,
D13/108; D3/218; D6/406.1, 406.3, 406.4,
D6/406.5, 406.6, 419, 420, 429, 396, 449,
D6/466, 467, 471; 361/679.02, 679.09, 679.19,
361/679.21, 679.22, 679.23, 679.26, 679.27,
361/679.3, 679.55, 679.56, 679.6; 248/917-924,
248/136, 150, 152, 153, 371, 166, 176.1,
248/176.3, 188.6, 676, 678, 441.1, 444.1,
248/447, 447.1, 447.2, 451, 454, 455, 456,
248/460, 463, 465.1; D21/333

See application file for complete search history.

(56) **References Cited**

U.S. PATENT DOCUMENTS

D520,013	S	*	5/2006	Yang	D14/434
D523,847	S	*	6/2006	Naruki	D14/224.1
D553,106	S	*	10/2007	Griffin	D14/434
D627,785	S	*	11/2010	Bouthillier	D14/434
D635,918	S	*	4/2011	Le et al.	D13/108
D642,519	S	*	8/2011	Woo et al.	D13/108
D644,230	S	*	8/2011	Lin	D14/447
D644,645	S	*	9/2011	Huang et al.	D14/434
D645,847	S	*	9/2011	Chau	D14/217
D648,727	S	*	11/2011	Van Den Nieuwenhuizen	D14/447
				et al.	D14/447
D658,168	S	*	4/2012	Werth	D14/253
D658,169	S	*	4/2012	Mo	D14/253
D664,958	S	*	8/2012	McManigal	D14/434

* cited by examiner

Primary Examiner — Angela J Lee

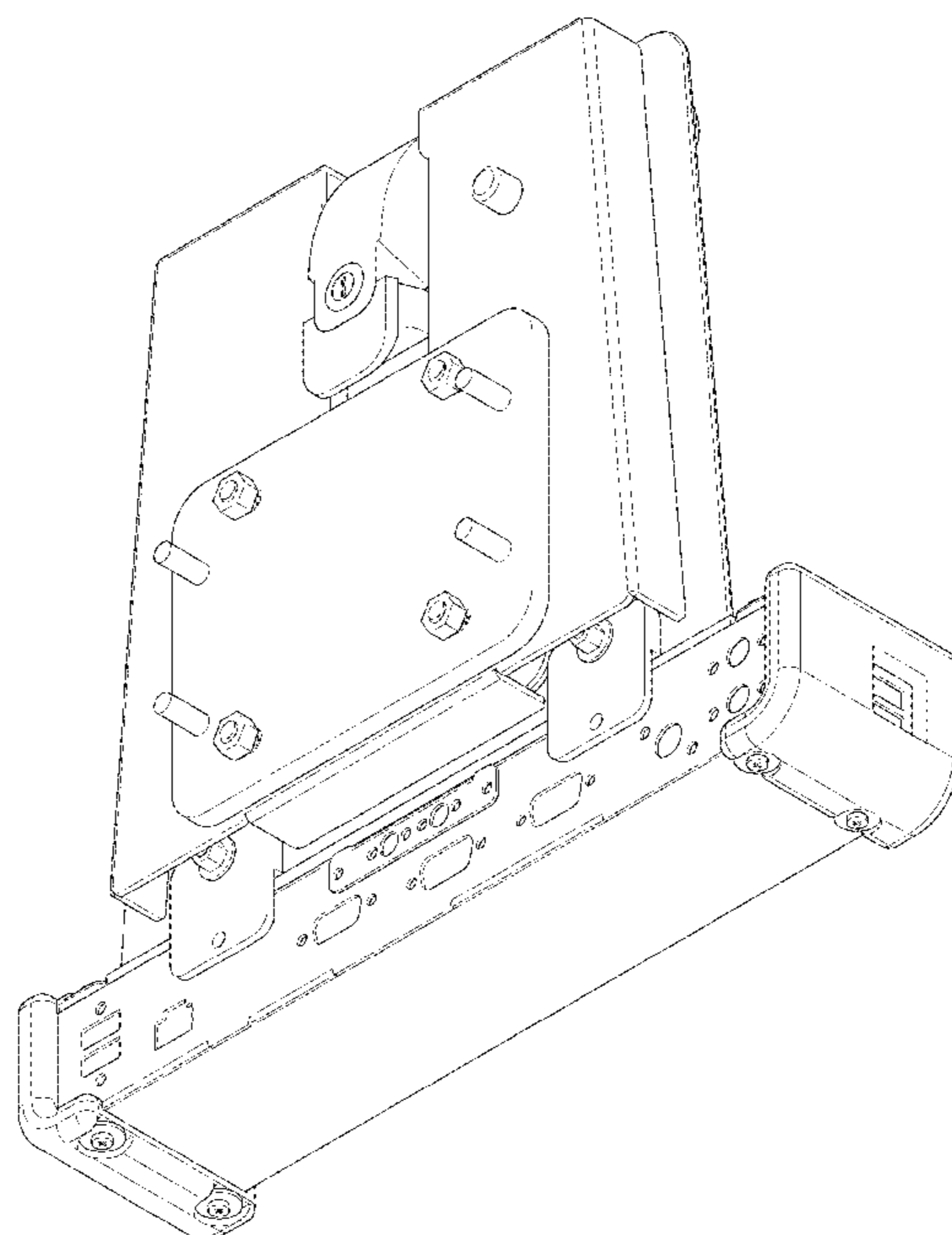
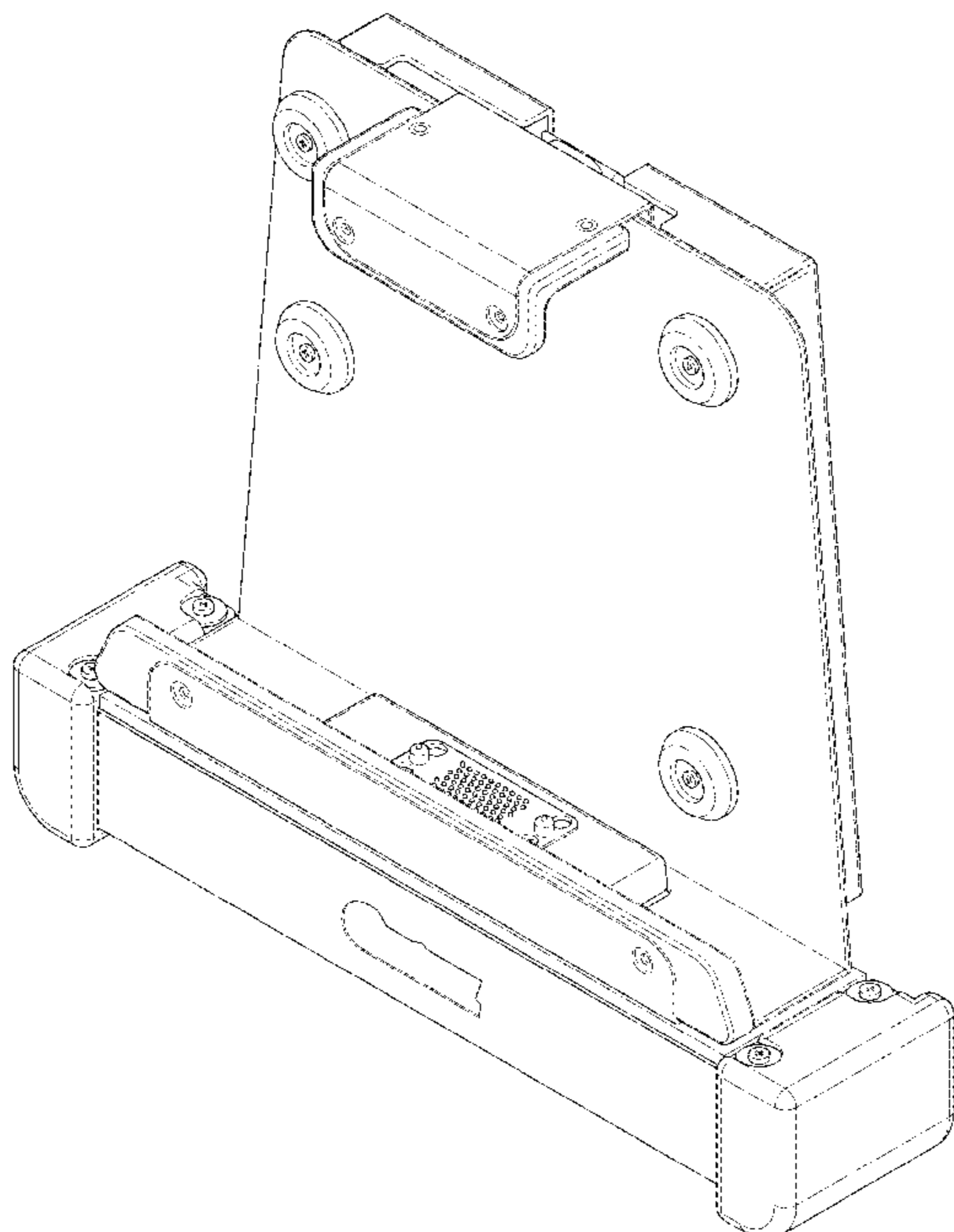
(57) **CLAIM**

The ornamental design for a supporting stand, as shown and described.

DESCRIPTION

FIG. 1 is a front perspective view showing my new design;
FIG. 2 is a front elevational view thereof;
FIG. 3 is a rear elevational view thereof;
FIG. 4 is a right side elevational view thereof;
FIG. 5 is a left side elevational view thereof;
FIG. 6 is a top plan view thereof;
FIG. 7 is a bottom plan view thereof; and,
FIG. 8 is a rear perspective view thereof.

1 Claim, 6 Drawing Sheets



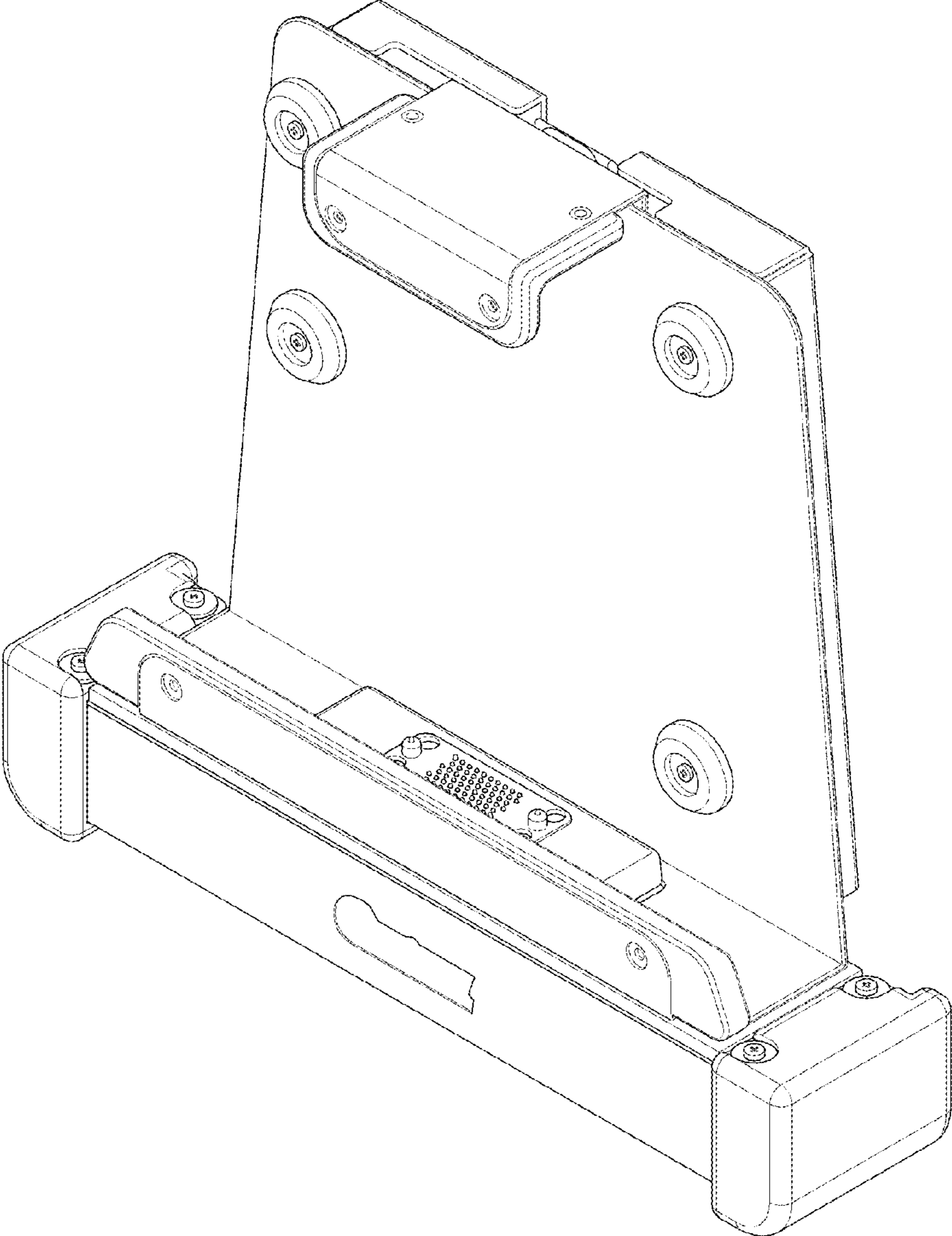


FIG.1

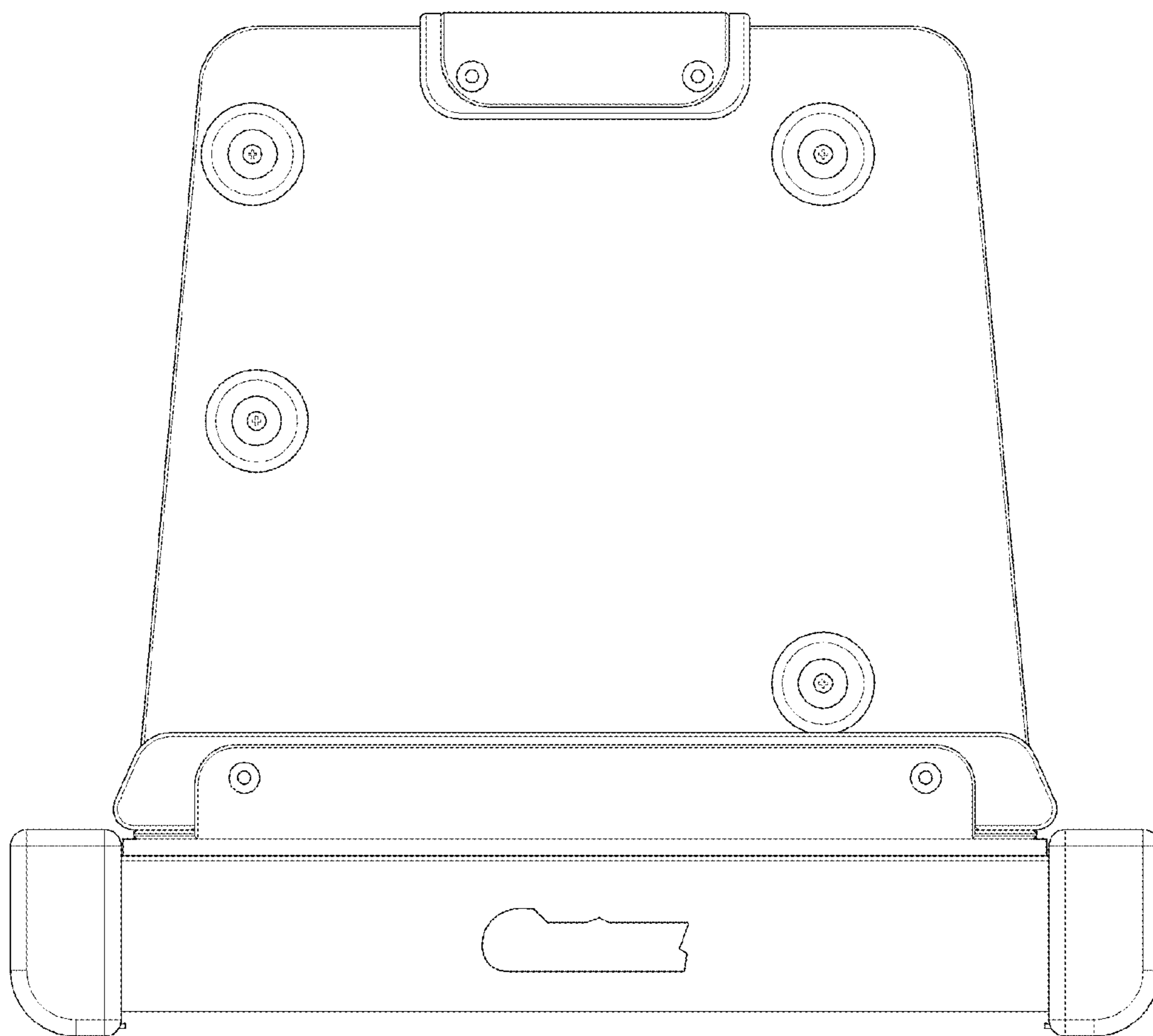


FIG.2

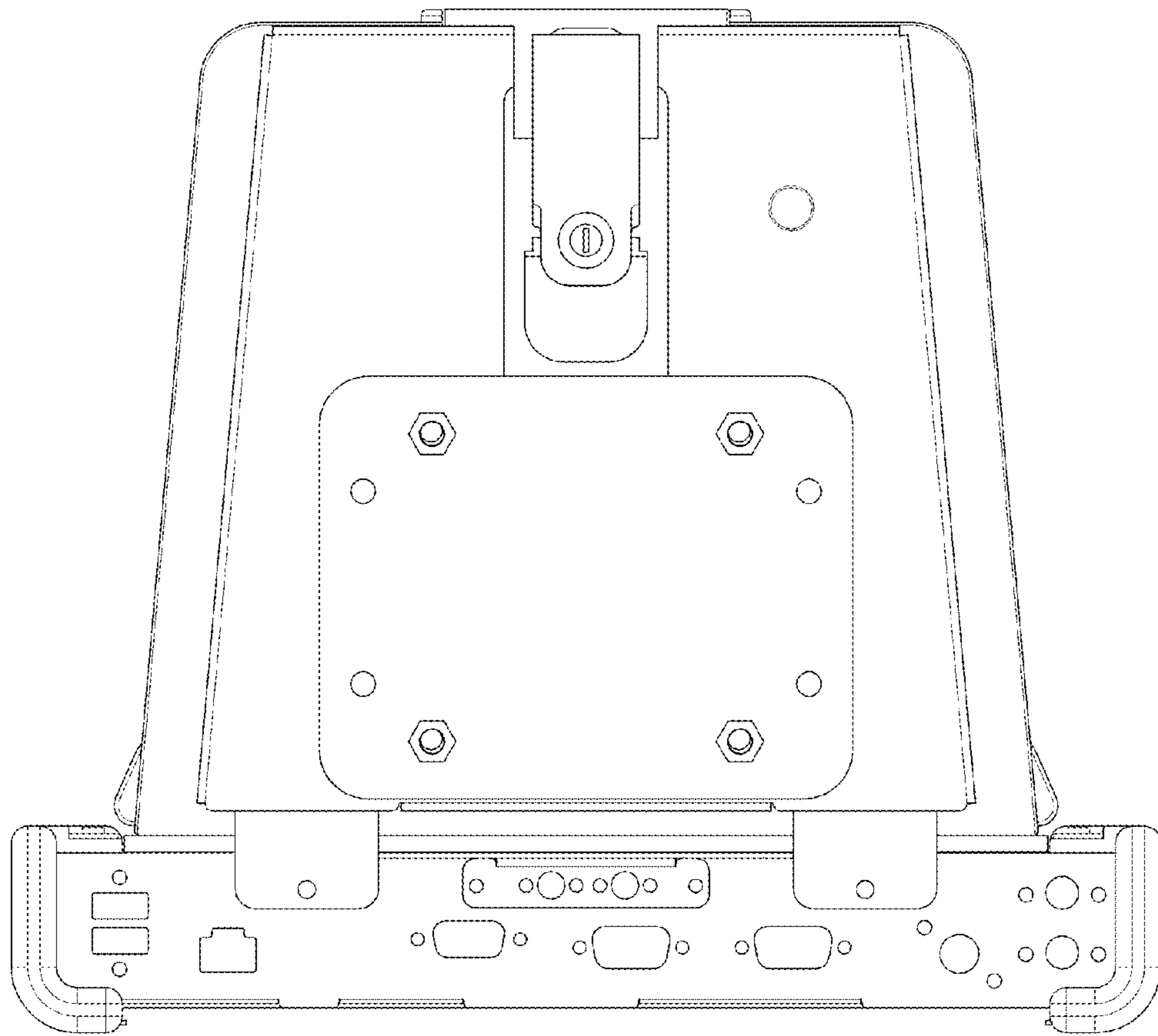


FIG.3

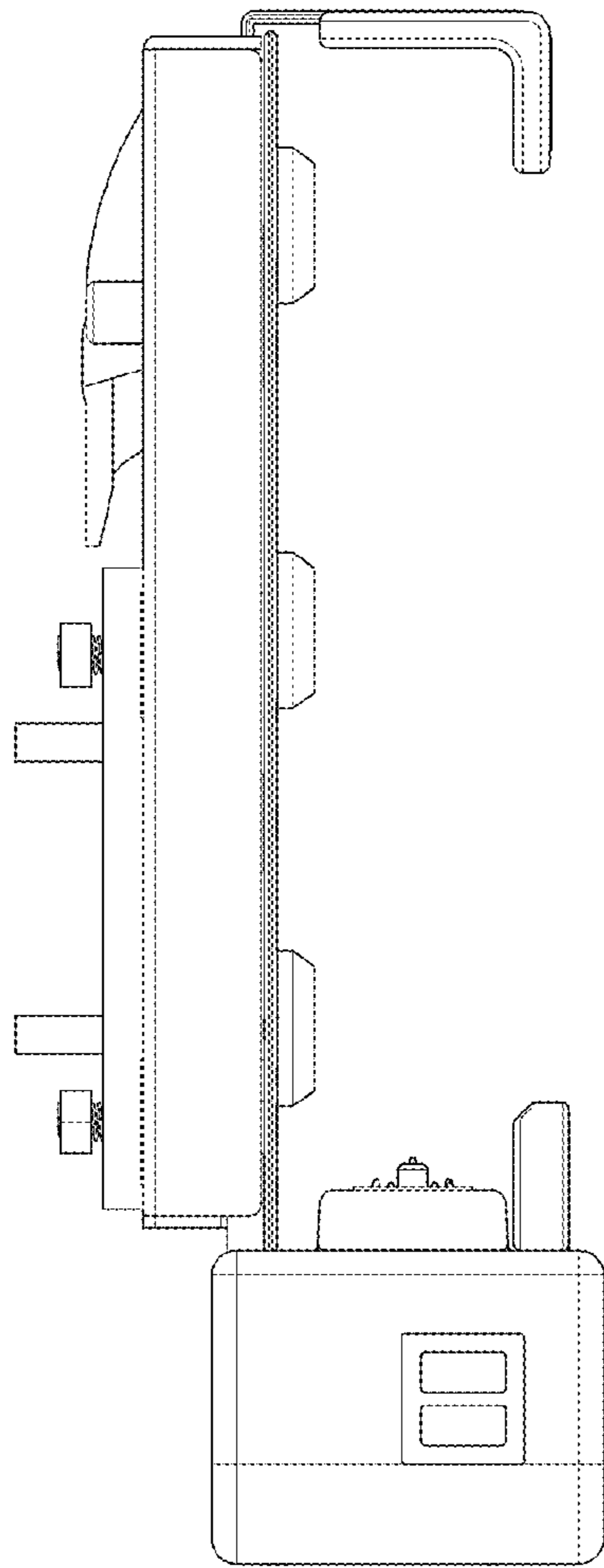


FIG. 4

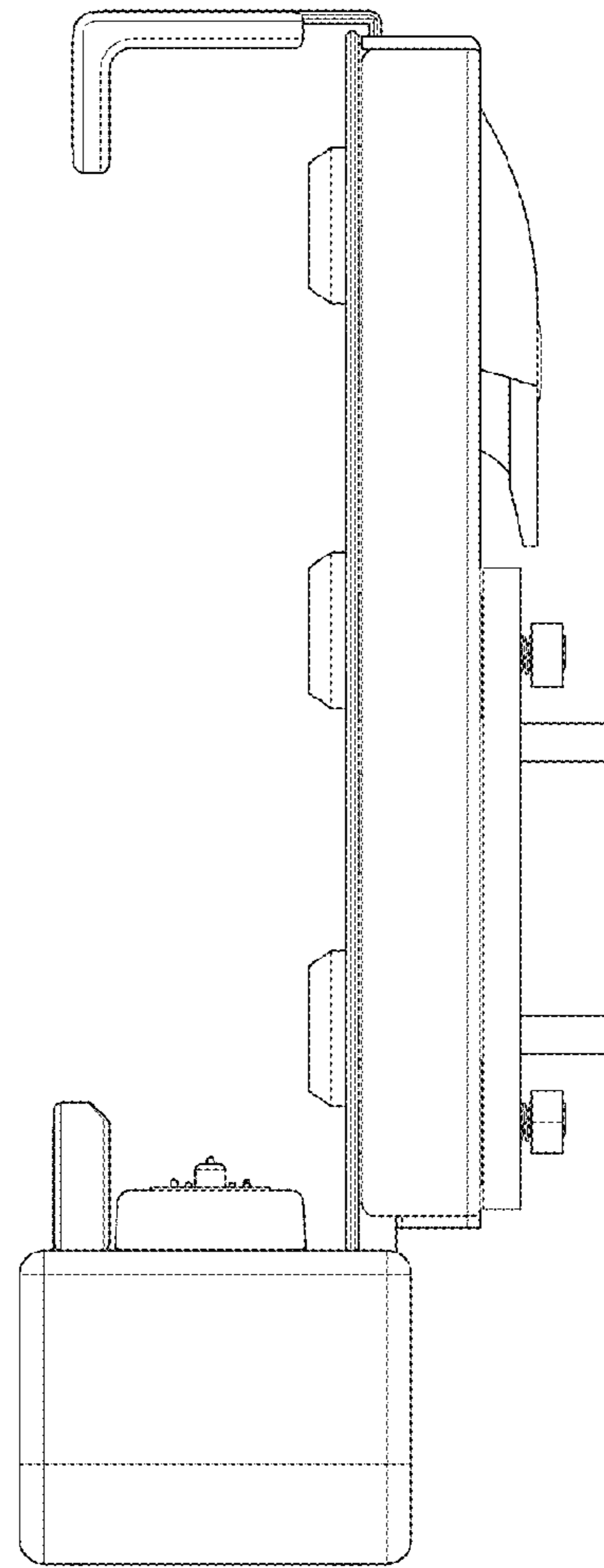


FIG. 5

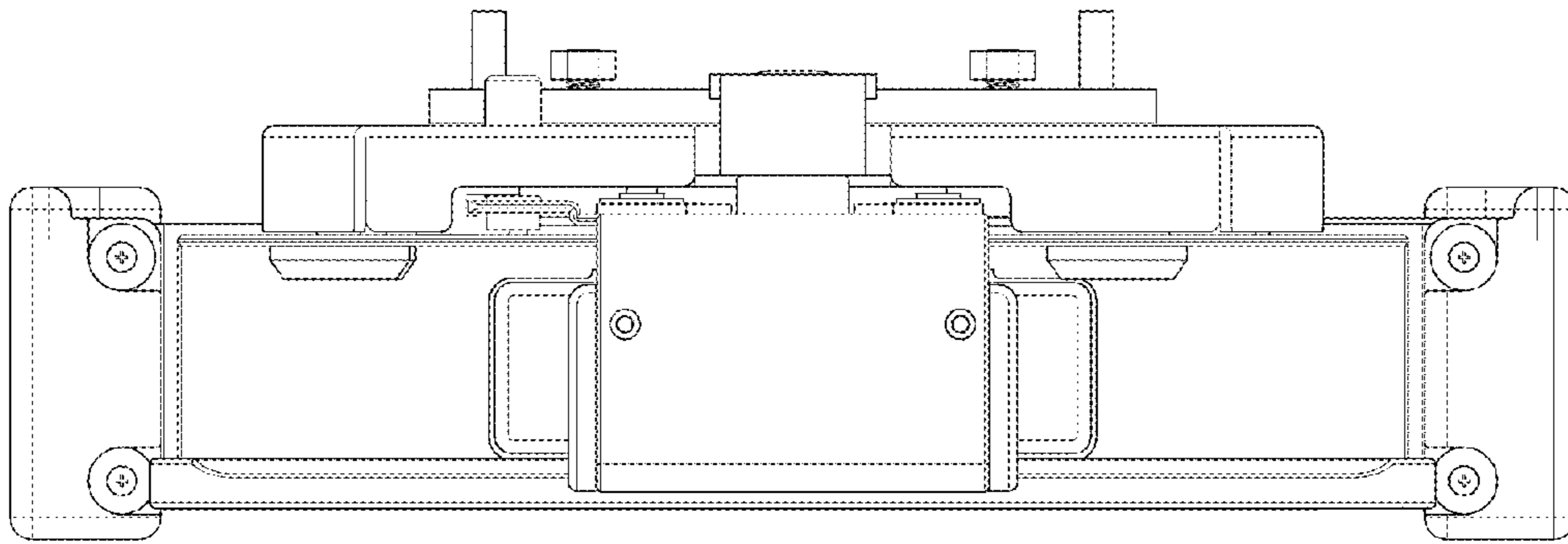


FIG. 6

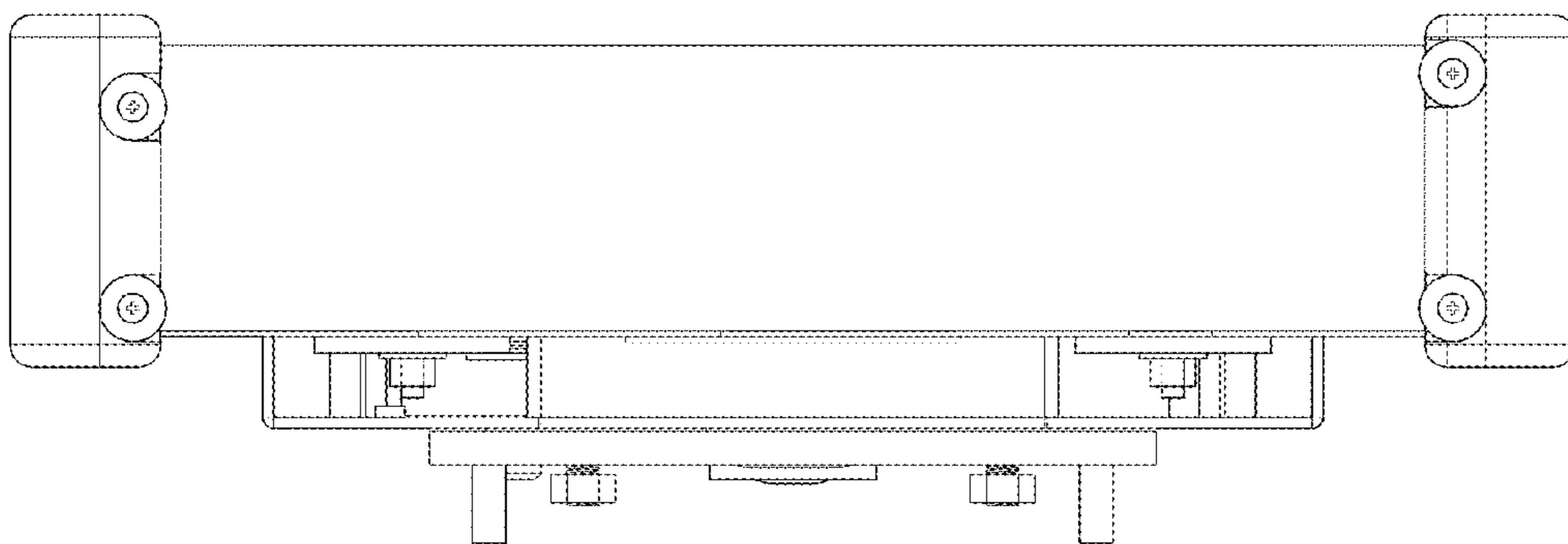


FIG. 7

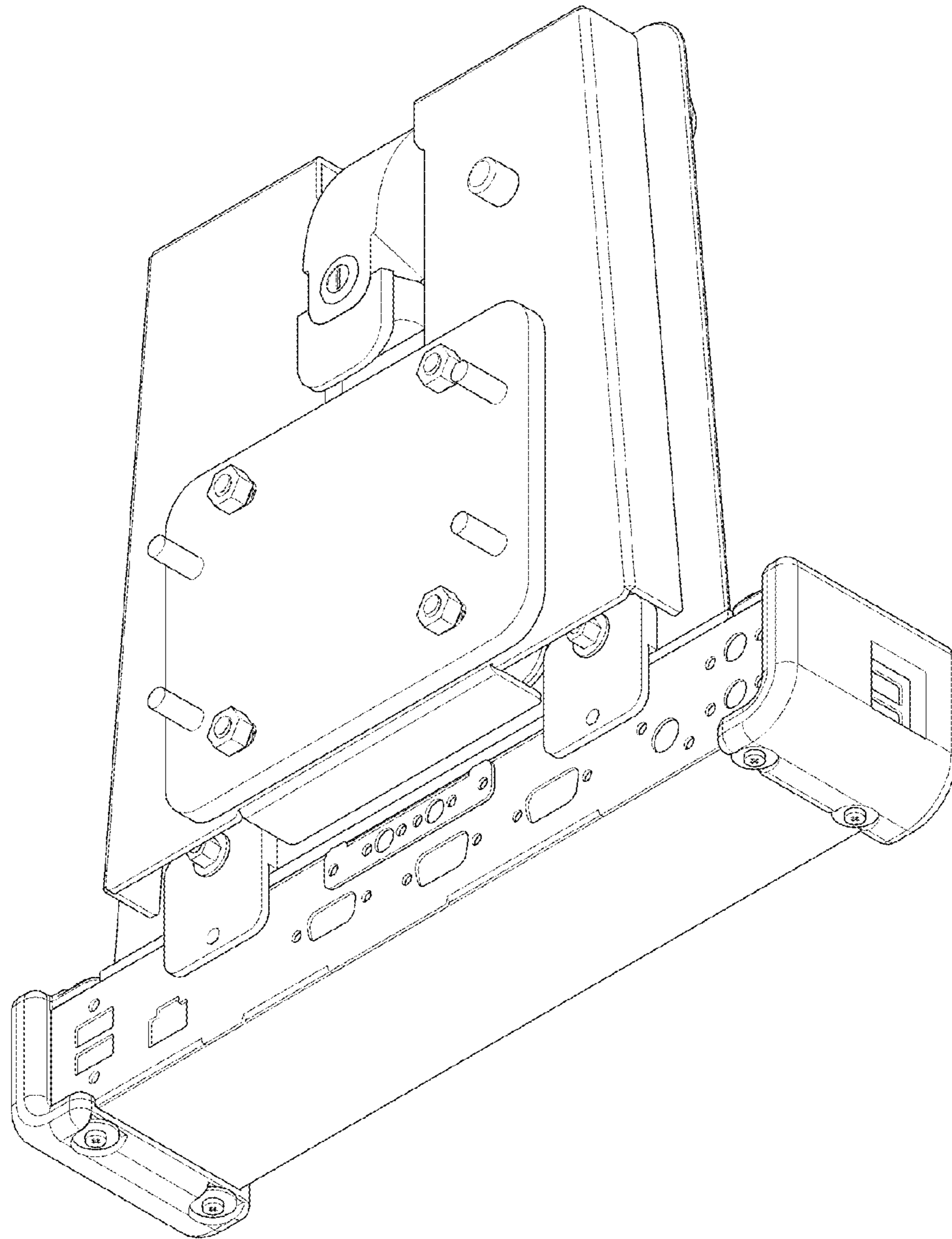


FIG.8