



US00D675211S

(12) **United States Design Patent**  
**Rouser**

(10) **Patent No.:** **US D675,211 S**  
(45) **Date of Patent:** **\*\* Jan. 29, 2013**

(54) **COVER/CASE FOR A TABLET READER**

(76) Inventor: **Kelly K. Rouser**, Chicago, IL (US)

(\*\*) Term: **14 Years**

(21) Appl. No.: **29/412,572**

(22) Filed: **Feb. 6, 2012**

(51) **LOC (9) Cl.** ..... **14-02**

(52) **U.S. Cl.** ..... **D14/440**

(58) **Field of Classification Search** ..... D14/250,  
D14/251, 253, 240, 217, 496, 440, 203.3,  
D14/203.4, 203.5, 203.8, 432, 439, 300;  
D3/218, 215, 201, 276, 900, 301, 303; 220/4.02;  
248/309.1; 361/679.56, 679.03; 379/426,  
379/433.11, 455; 455/575.1, 575.8; 190/100;  
206/305, 320; D9/742, 443

See application file for complete search history.

(56) **References Cited**

**U.S. PATENT DOCUMENTS**

4,044,980	A *	8/1977	Cummins	.....	248/456
D286,773	S *	11/1986	Pauser	.....	D14/299
4,718,550	A *	1/1988	Johnson	.....	206/387.13
D306,583	S *	3/1990	Krolopp et al.	.....	D14/137
D546,878	S *	7/2007	Bharma	.....	D19/26
D579,975	S *	11/2008	Brown	.....	D19/26
D600,699	S *	9/2009	Johnston et al.	.....	D14/440
D602,017	S *	10/2009	Andre et al.	.....	D14/341
D603,166	S *	11/2009	Becker	.....	D3/301
D611,045	S *	3/2010	Andre et al.	.....	D14/327
D623,639	S	9/2010	Richardson et al.		
7,861,995	B2 *	1/2011	Liou	.....	248/454
D634,313	S *	3/2011	Fitzpatrick et al.	.....	D14/250
D637,596	S *	5/2011	Akana et al.	.....	D14/341
D638,412	S	5/2011	Lee		
D638,414	S	5/2011	Magness et al.		
D639,816	S *	6/2011	Bau	.....	D14/447
D641,348	S	7/2011	Kim et al.		
D652,831	S *	1/2012	Lee et al.	.....	D14/315
D659,139	S *	5/2012	Gengler	.....	D14/392
D662,100	S *	6/2012	Van Den Nieuwenhuizen		
			et al.	.....	D14/440
D663,304	S *	7/2012	Akana et al.	.....	D14/440

8,230,992	B2 *	7/2012	Law et al.	.....	206/320
D665,810	S *	8/2012	Jones et al.	.....	D14/440
2001/0040561	A1 *	11/2001	Weinzierl et al.	.....	345/169
2010/0294909	A1 *	11/2010	Hauser et al.	.....	248/456
2010/0300909	A1 *	12/2010	Hung	.....	206/320
2011/0199727	A1	8/2011	Probst		
2012/0043231	A1 *	2/2012	Perrier et al.	.....	206/216

\* cited by examiner

*Primary Examiner* — Cynthia Underwood

(74) *Attorney, Agent, or Firm* — Dennemeyer & Assoc.

(57) **CLAIM**

The ornamental design for a cover/case for a tablet reader, as shown and described.

**DESCRIPTION**

FIG. 1 is a front, left and bottom view of the cover/case for a tablet or E-Reader;

FIG. 2 is a rear, right and bottom view of the cover/case for a tablet or E-Reader;

FIG. 3 is a right side view of the cover/case for a tablet or E-Reader;

FIG. 4 is a left side view of the cover/case for a tablet or E-Reader;

FIG. 5 is a top view of the cover/case for a tablet or E-Reader;

FIG. 6 is a bottom view of the cover/case for a tablet or E-Reader;

FIG. 7 is a front side view of the cover/case for a tablet or E-Reader;

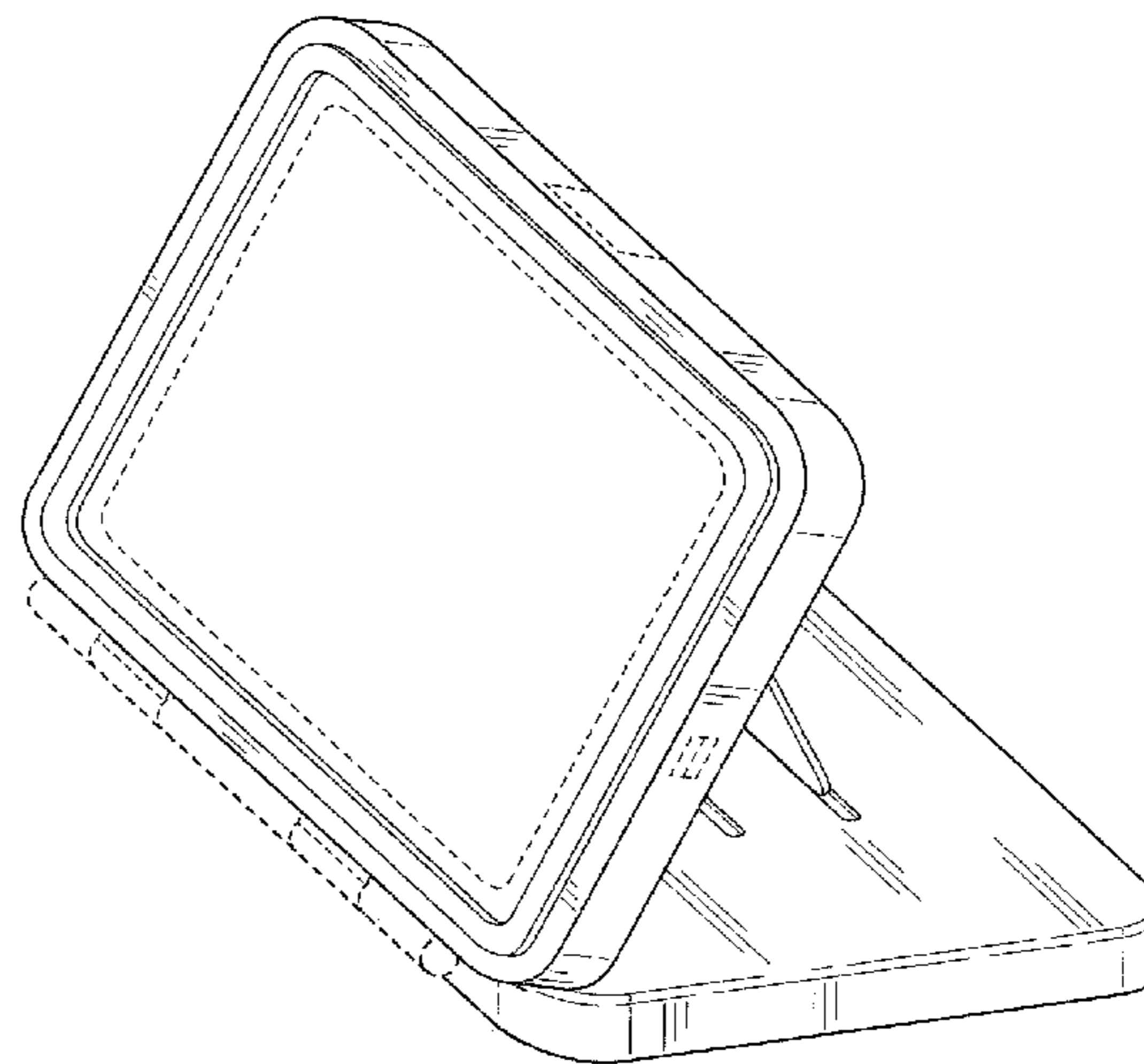
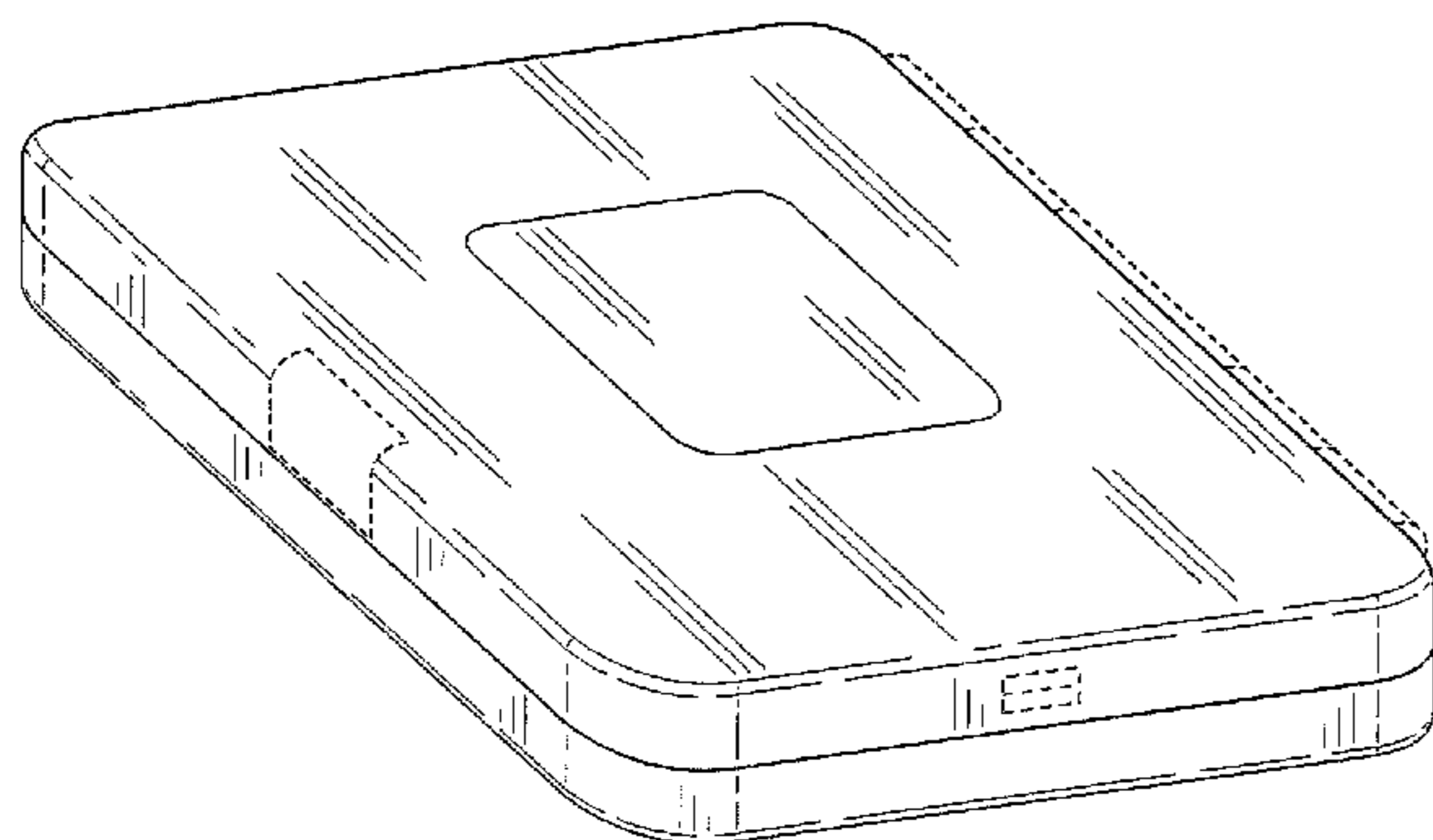
FIG. 8 is a rear side view of the cover/case for a tablet or E-Reader;

FIG. 9 is a perspective view of the cover/case for a tablet or E-Reader in an open configuration; and,

FIG. 10 is a perspective view of the cover/case for a tablet or E-Reader in an open and alternative configuration.

The broken line showing depicts environmental subject matter only and forms no part of the claimed design.

**1 Claim, 4 Drawing Sheets**



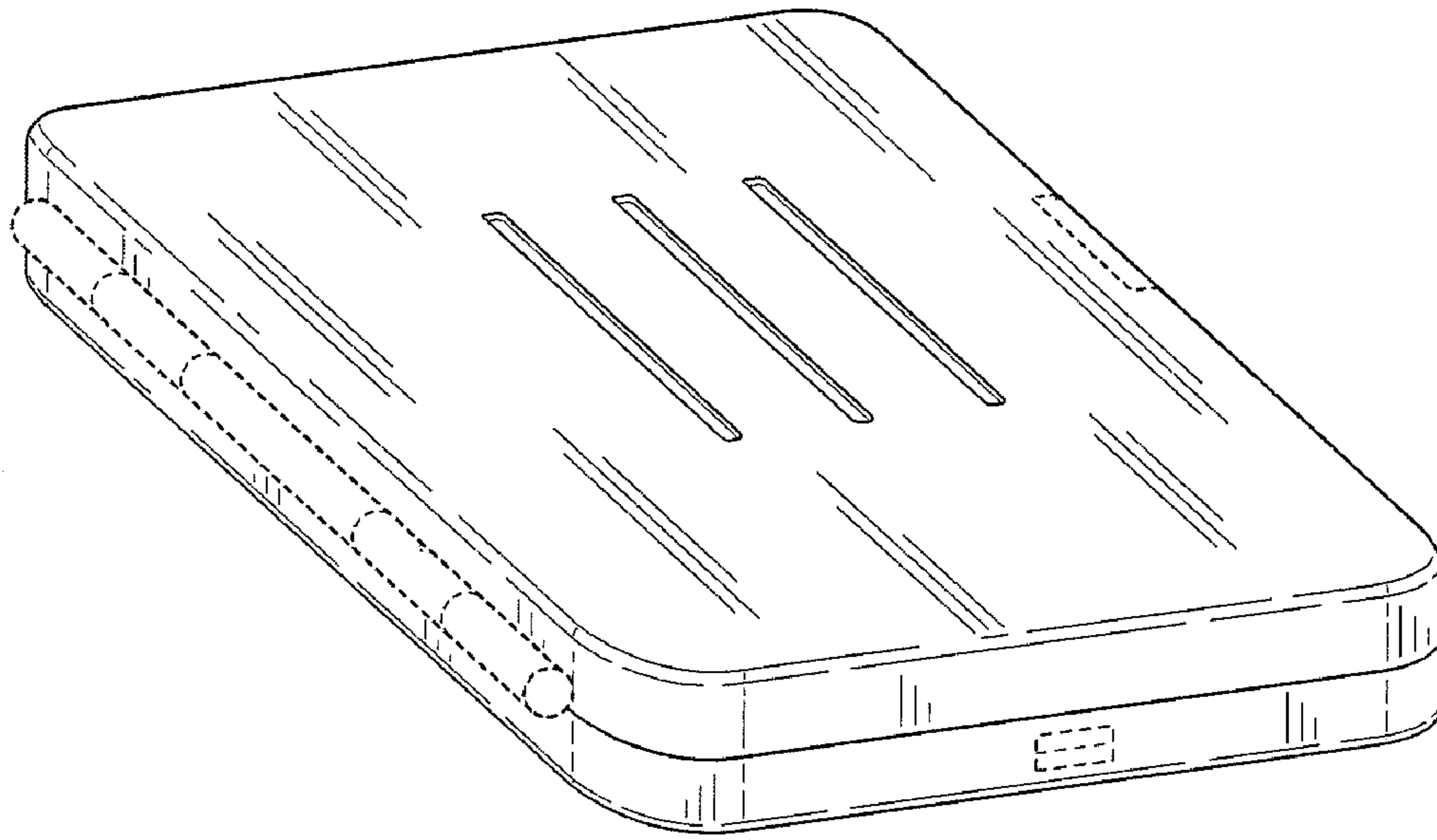


FIG. 1

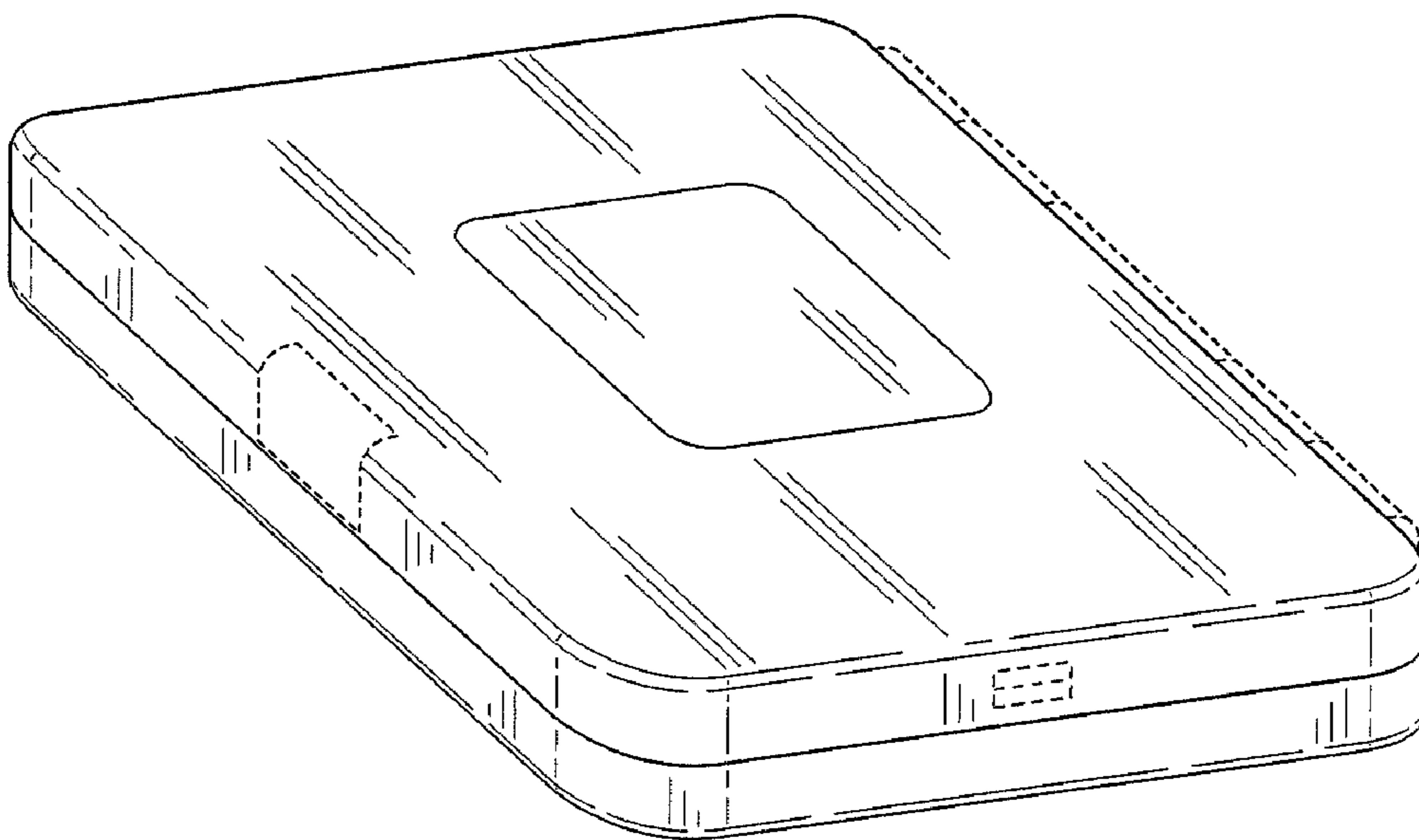


FIG. 2



FIG. 3

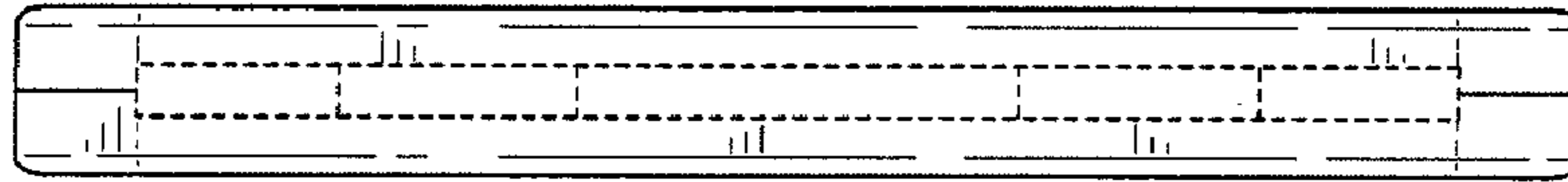


FIG. 4

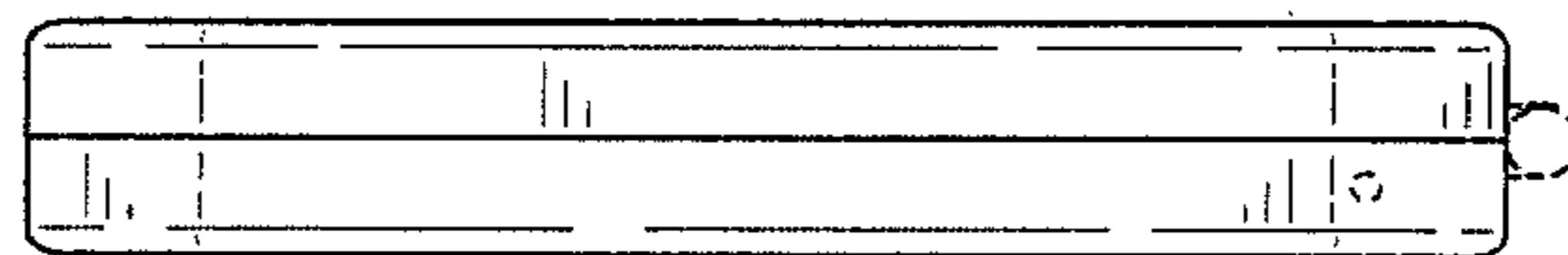


FIG. 5

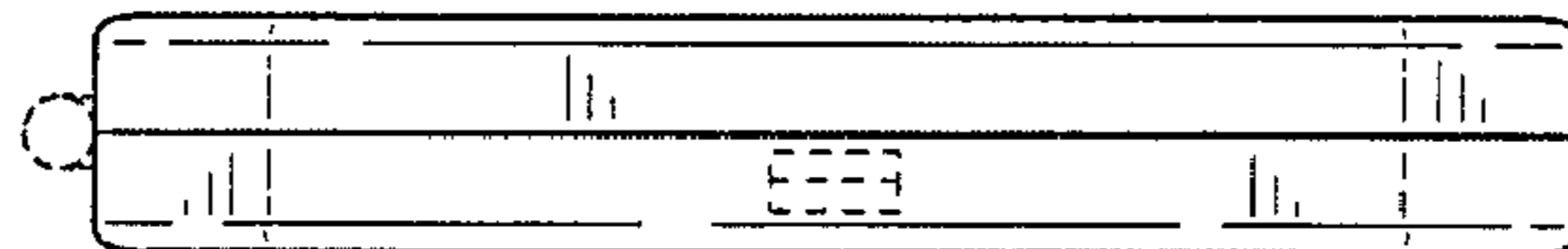


FIG. 6

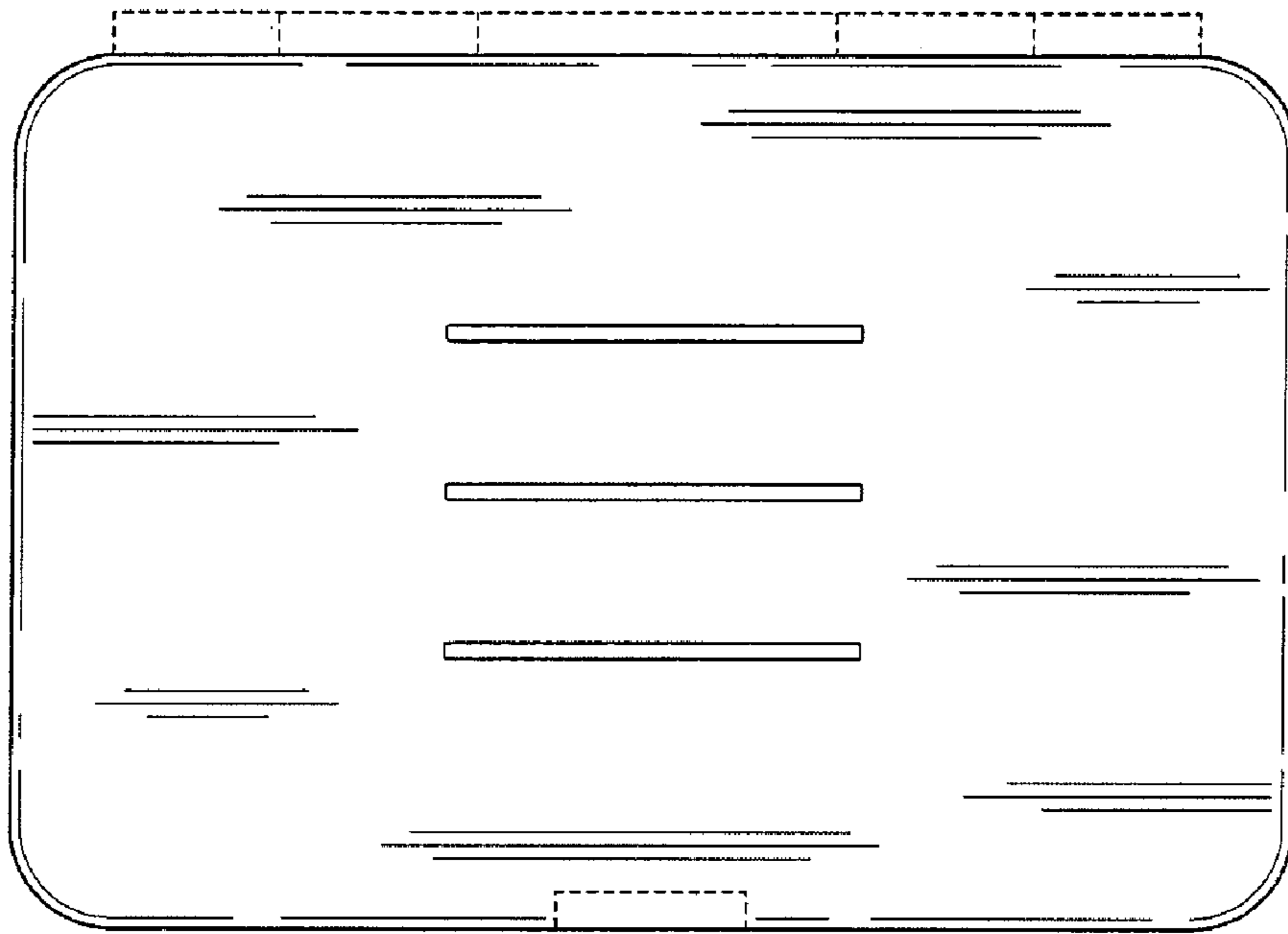


FIG. 7

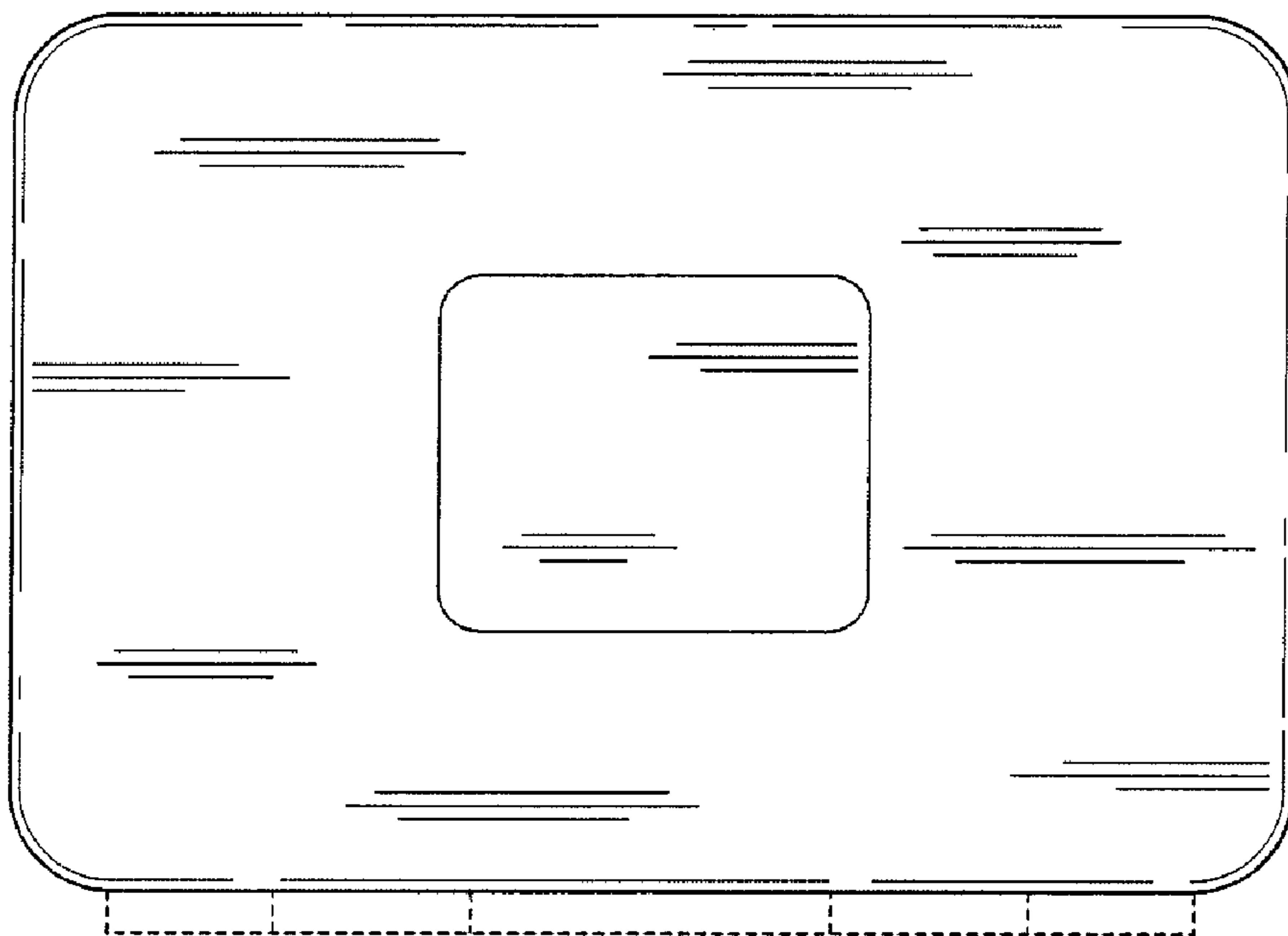


FIG. 8



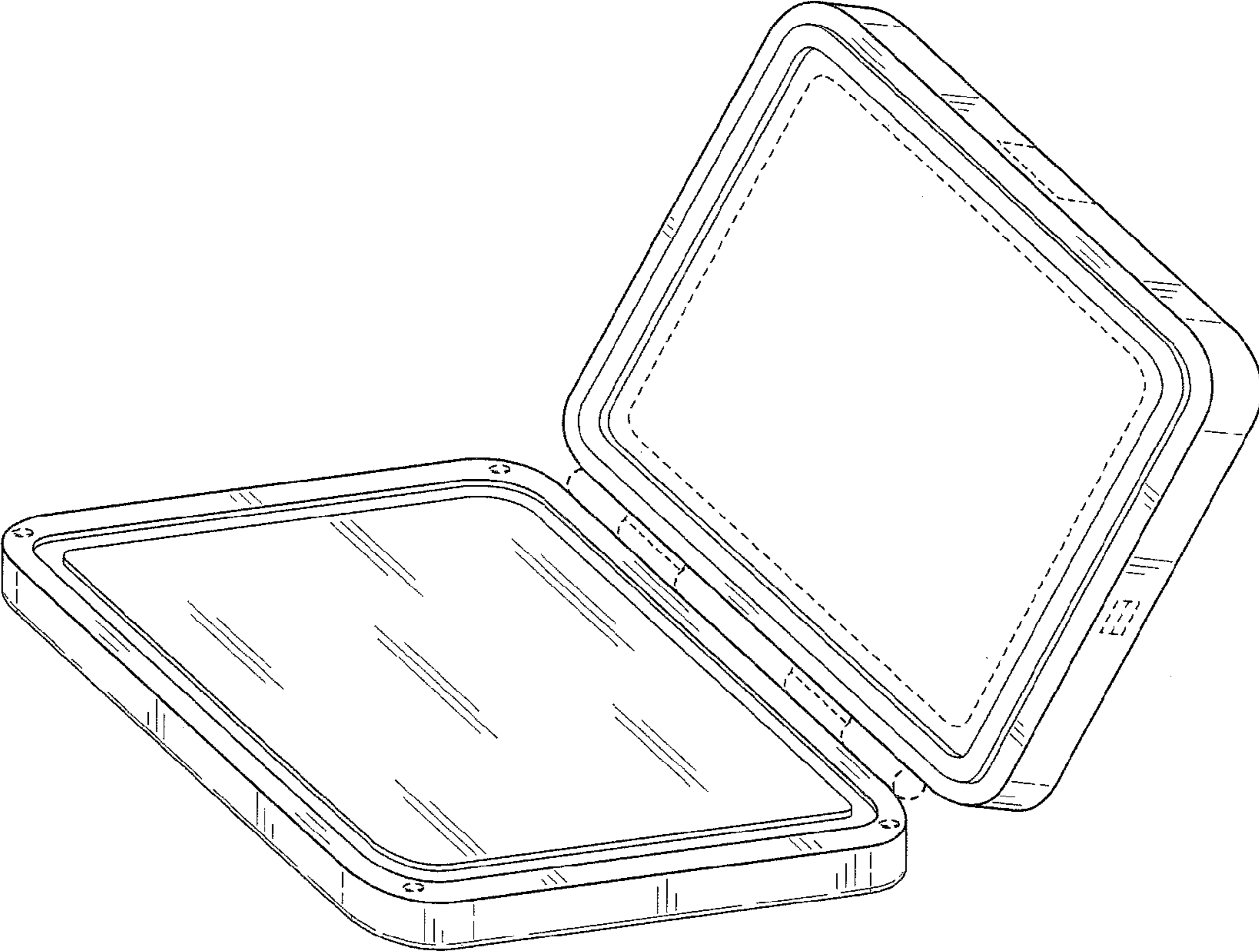


FIG. 9

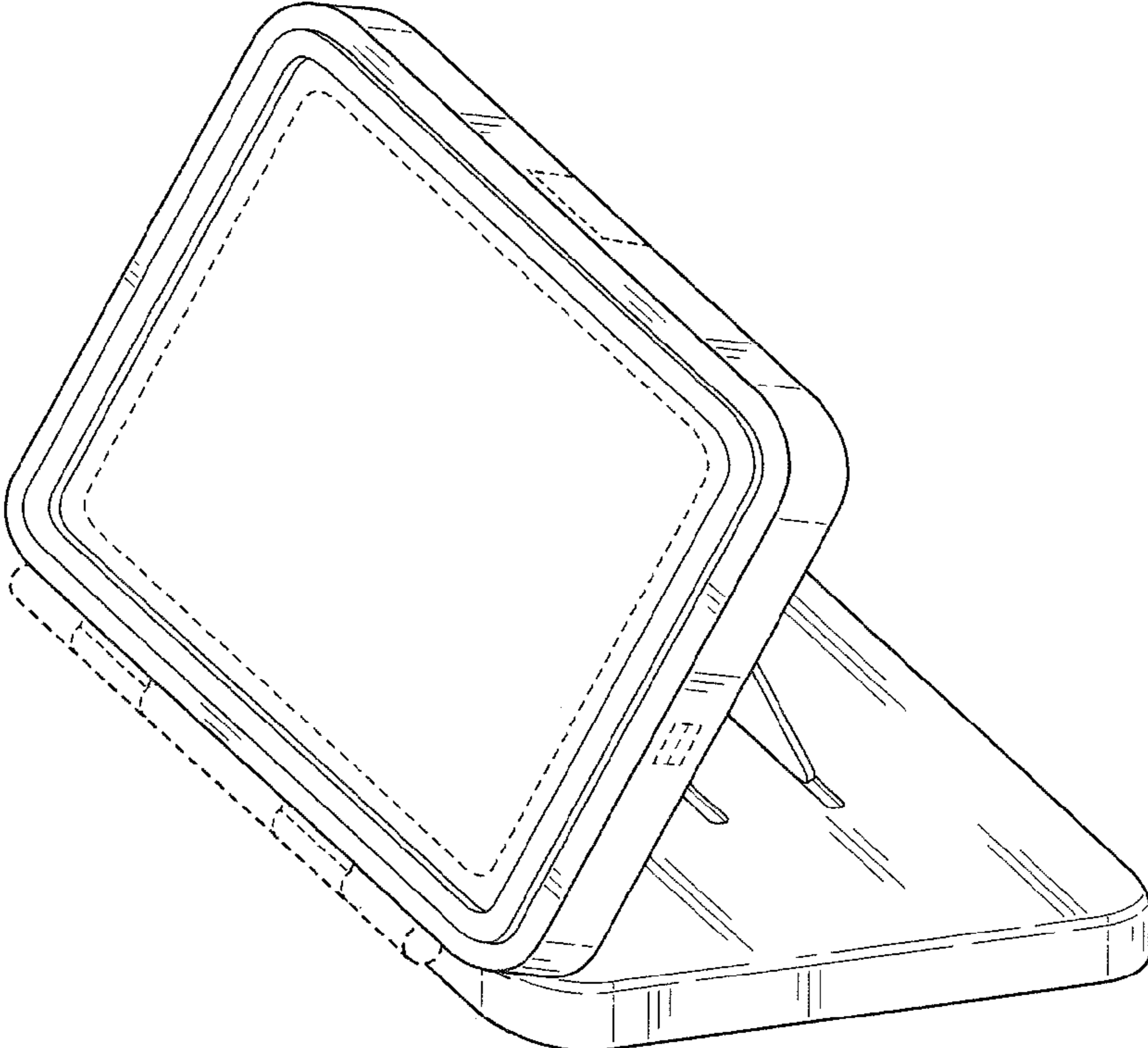


FIG. 10