



US00D675209S

(12) **United States Design Patent**  
**Glanzer et al.**

(10) **Patent No.:** **US D675,209 S**  
(45) **Date of Patent:** **\*\* Jan. 29, 2013**

(54) **CASE**

(75) Inventors: **Matthew Glanzer**, Fort Collins, CO  
(US); **Chris Melanson**, Fort Collins, CO  
(US)

(73) Assignee: **Otter Products, LLC**, Fort Collins, CO  
(US)

(\*\*) Term: **14 Years**

(21) Appl. No.: **29/384,932**

(22) Filed: **Feb. 6, 2011**

(51) **LOC (9) Cl.** ..... **14-02**

(52) **U.S. Cl.** ..... **D14/440**

(58) **Field of Classification Search** ..... D14/250,  
D14/251, 253, 240, 217, 496, 440, 203.3,  
D14/203.4, 203.5, 203.8; D3/218, 215, 201;  
220/4.02; 248/309.1; 361/679.56; 379/426,  
379/433.11, 455; 455/575.1, 575.8; 190/100;  
206/305, 320

See application file for complete search history.

(56) **References Cited**

**U.S. PATENT DOCUMENTS**

|              |         |                        |         |
|--------------|---------|------------------------|---------|
| D558,224 S * | 12/2007 | Gifford et al. ....    | D14/496 |
| D574,819 S * | 8/2008  | Andre et al. ....      | D3/269  |
| D582,149 S * | 12/2008 | Tan .....              | D3/218  |
| D597,089 S * | 7/2009  | Khan et al. ....       | D14/250 |
| D615,077 S * | 5/2010  | Richardson et al. .... | D14/250 |
| D615,536 S * | 5/2010  | Richardson et al. .... | D14/250 |
| D623,640 S * | 9/2010  | Freeman .....          | D14/250 |
| D624,910 S * | 10/2010 | Richardson et al. .... | D14/250 |
| D626,540 S * | 11/2010 | Brown et al. ....      | D14/250 |
| D634,741 S * | 3/2011  | Richardson et al. .... | D14/250 |

|                   |        |                         |           |
|-------------------|--------|-------------------------|-----------|
| D640,680 S *      | 6/2011 | Magness et al. ....     | D14/250   |
| D644,635 S *      | 9/2011 | Richardson et al. ....  | D14/250   |
| D645,031 S *      | 9/2011 | Richardson et al. ....  | D14/250   |
| D652,825 S *      | 1/2012 | Bau .....               | D14/238.1 |
| D653,202 S *      | 1/2012 | Hasbrook et al. ....    | D13/103   |
| D654,490 S *      | 2/2012 | Weller et al. ....      | D14/250   |
| D654,915 S *      | 2/2012 | Weller et al. ....      | D14/250   |
| D657,353 S *      | 4/2012 | Melanson et al. ....    | D14/250   |
| D662,924 S *      | 7/2012 | Melanson et al. ....    | D14/250   |
| D663,295 S *      | 7/2012 | Fahrendorff et al. .... | D14/250   |
| D665,735 S *      | 8/2012 | Kang et al. ....        | D13/108   |
| 2009/0186264 A1 * | 7/2009 | Huang .....             | 429/96    |

\* cited by examiner

*Primary Examiner* — Cynthia Underwood

(57) **CLAIM**

The ornamental design for a case, as shown and described.

**DESCRIPTION**

FIG. 1 is a front isometric view of a case showing our new design;

FIG. 2 is a rear isometric view thereof;

FIG. 3 is a front view thereof;

FIG. 4 is a rear view thereof;

FIG. 5 is a left view thereof;

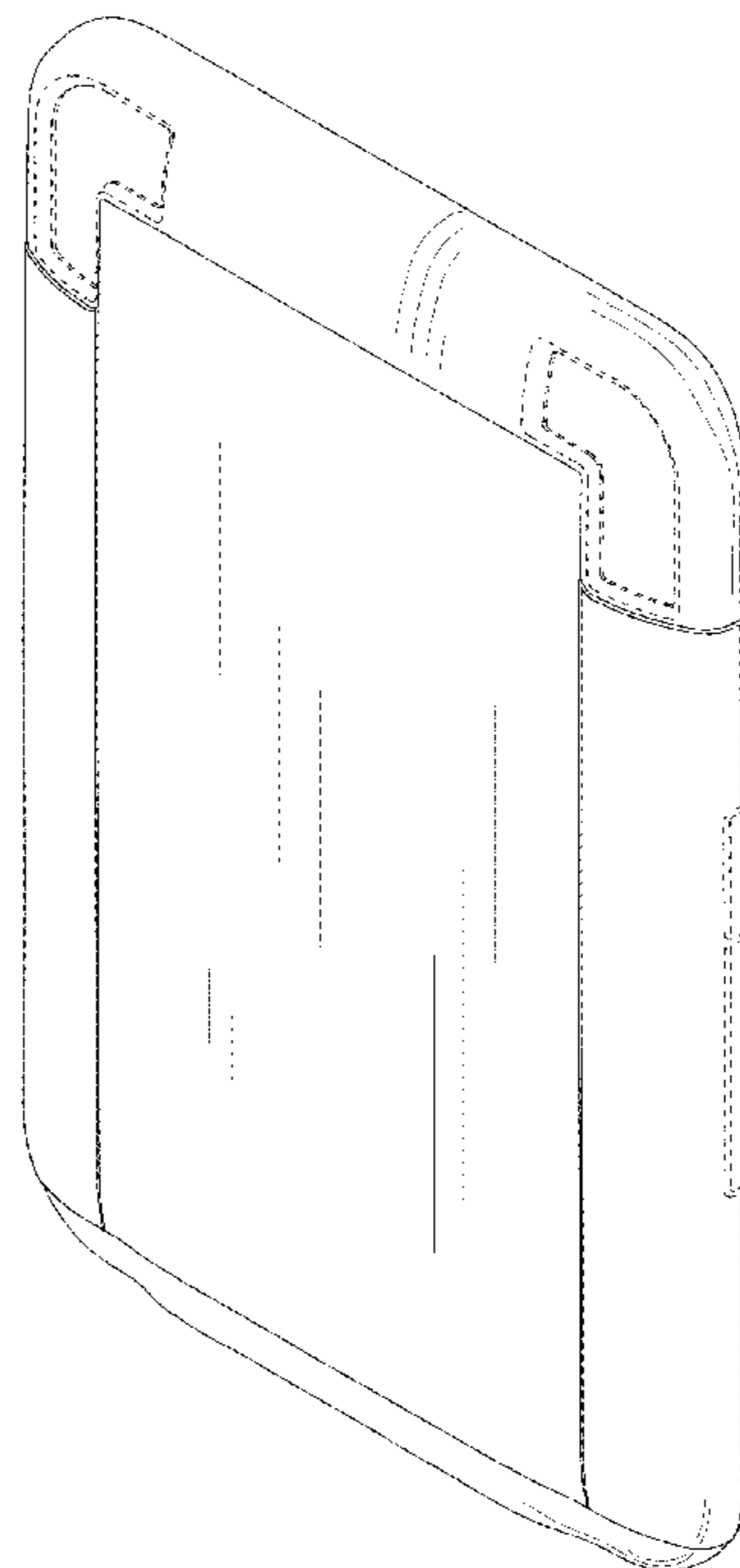
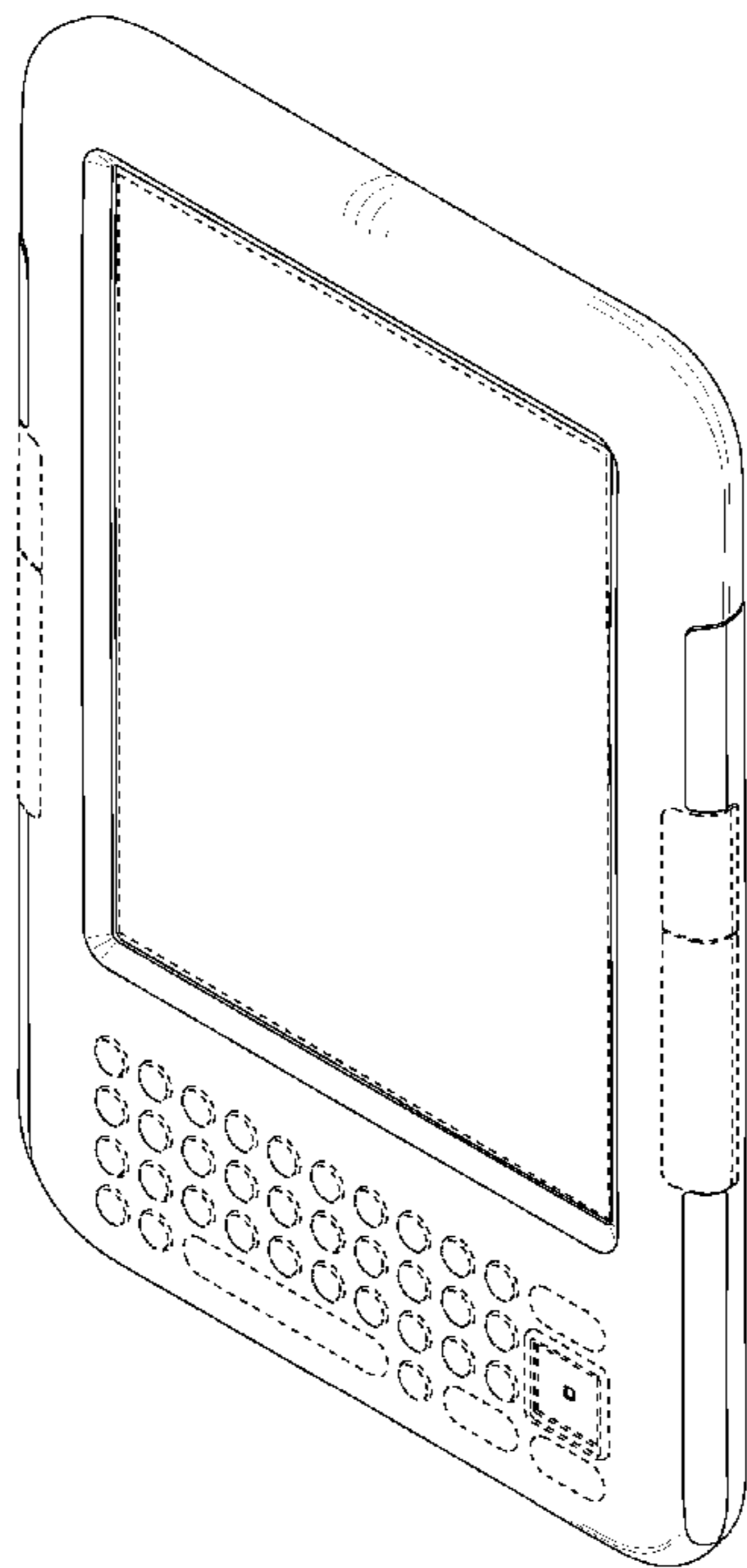
FIG. 6 is a right view thereof;

FIG. 7 is a top view thereof; and,

FIG. 8 is a bottom view thereof.

The broken line perimeter of the large unshaded rectangular region on the front of the case in FIGS. 1 and 3 represents a boundary of the claimed design. All other broken lines depict unclaimed environment. The broken lines and unshaded regions bounded by broken lines form no part of the claimed design.

**1 Claim, 6 Drawing Sheets**



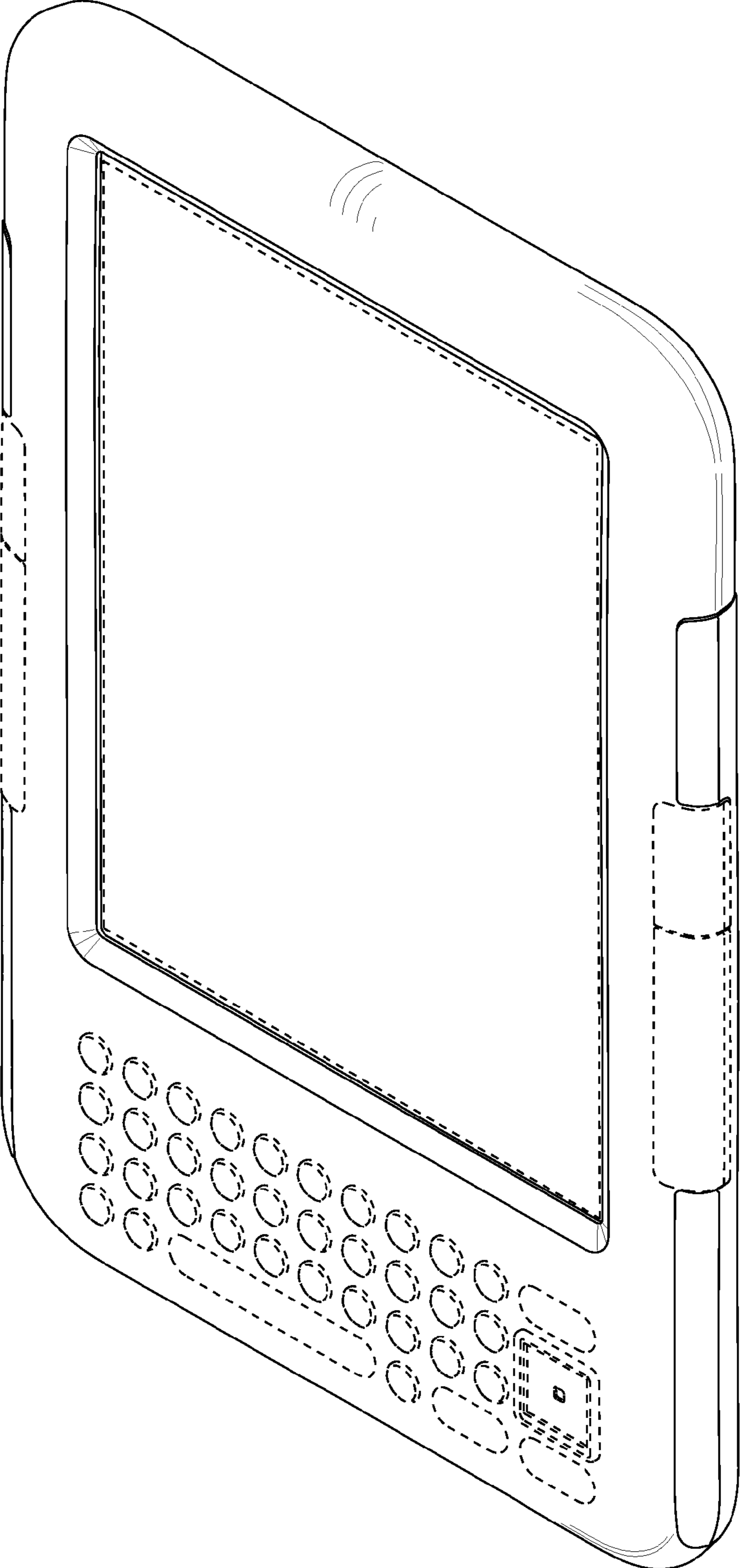


FIG. 1

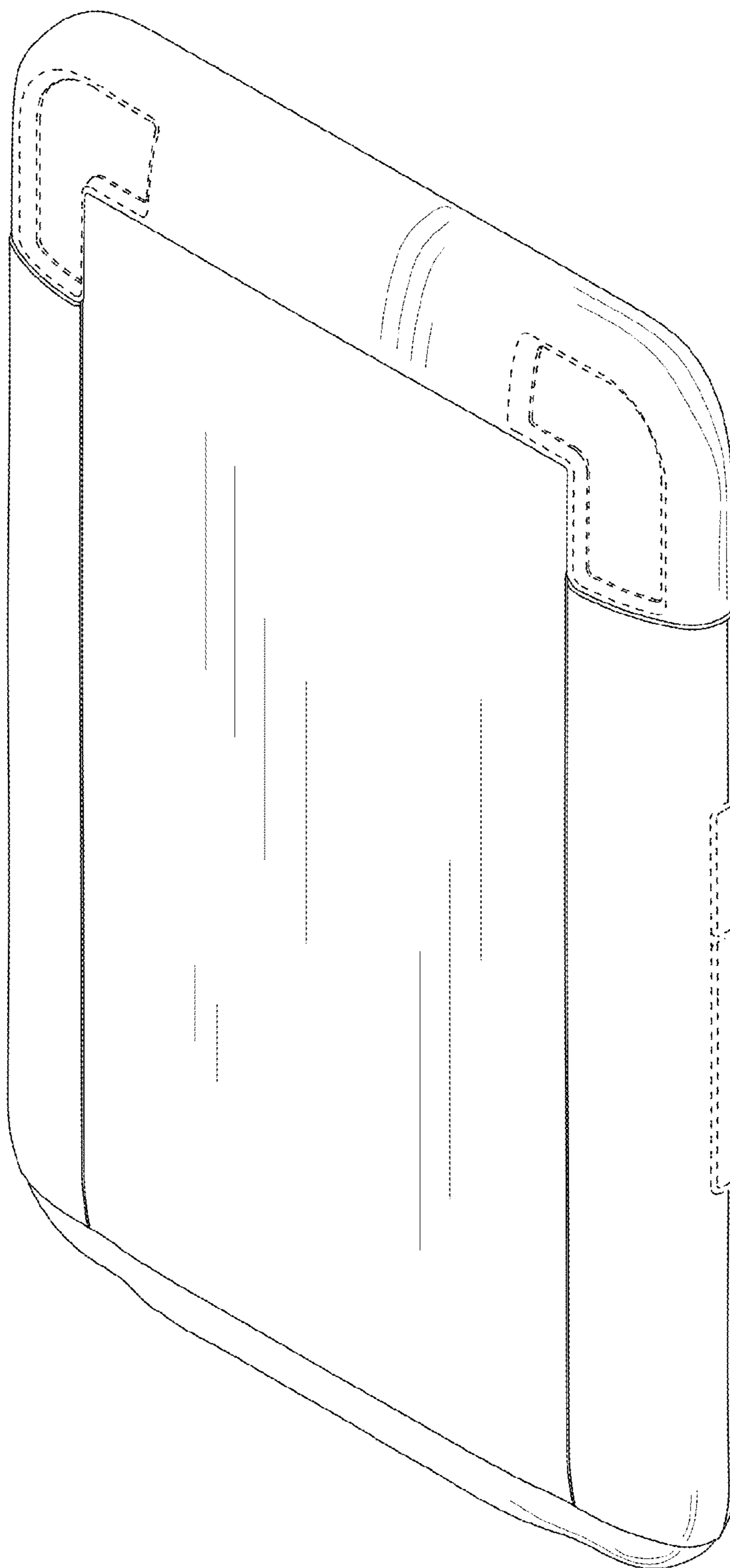


FIG. 2

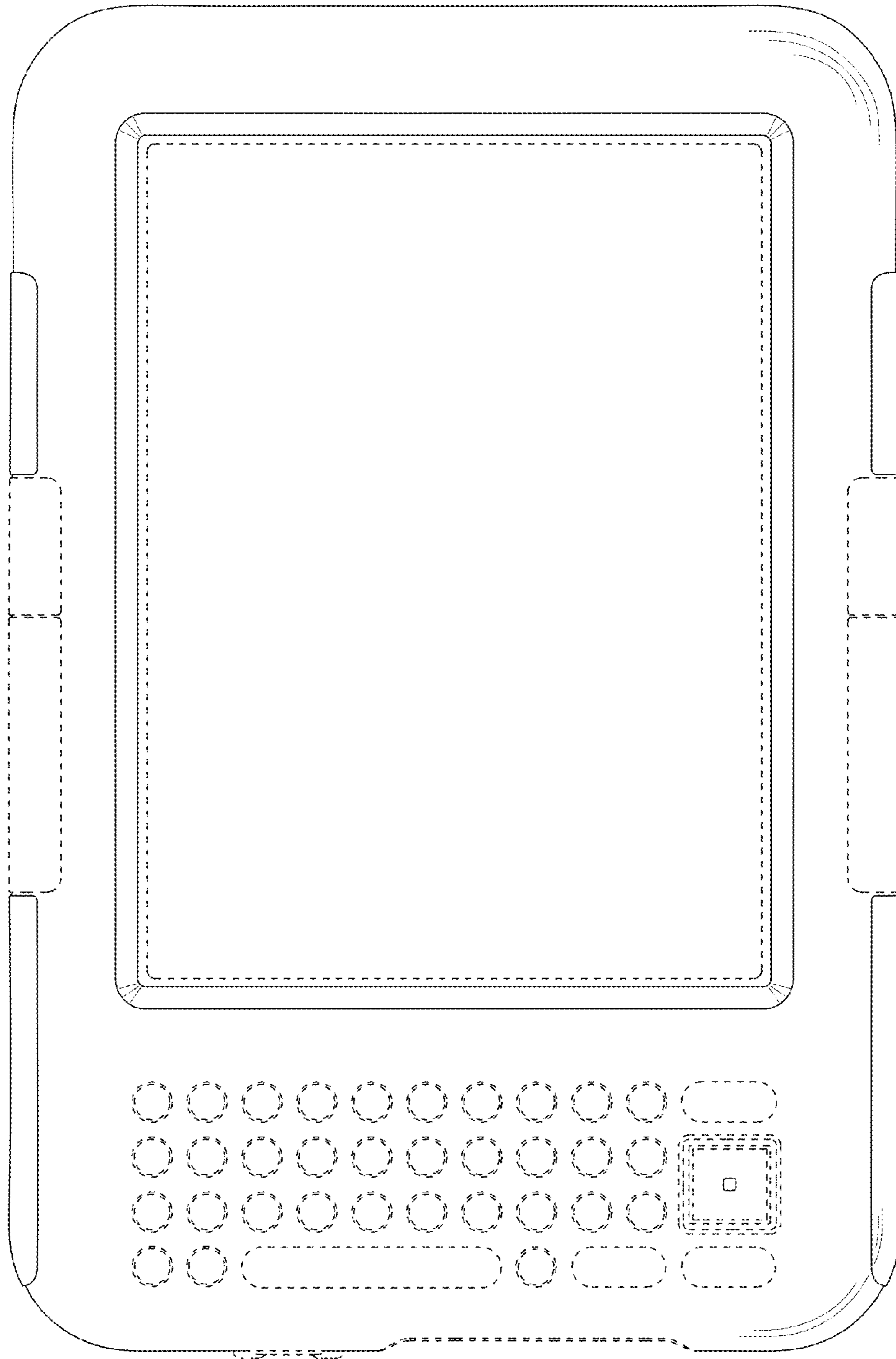


FIG. 3

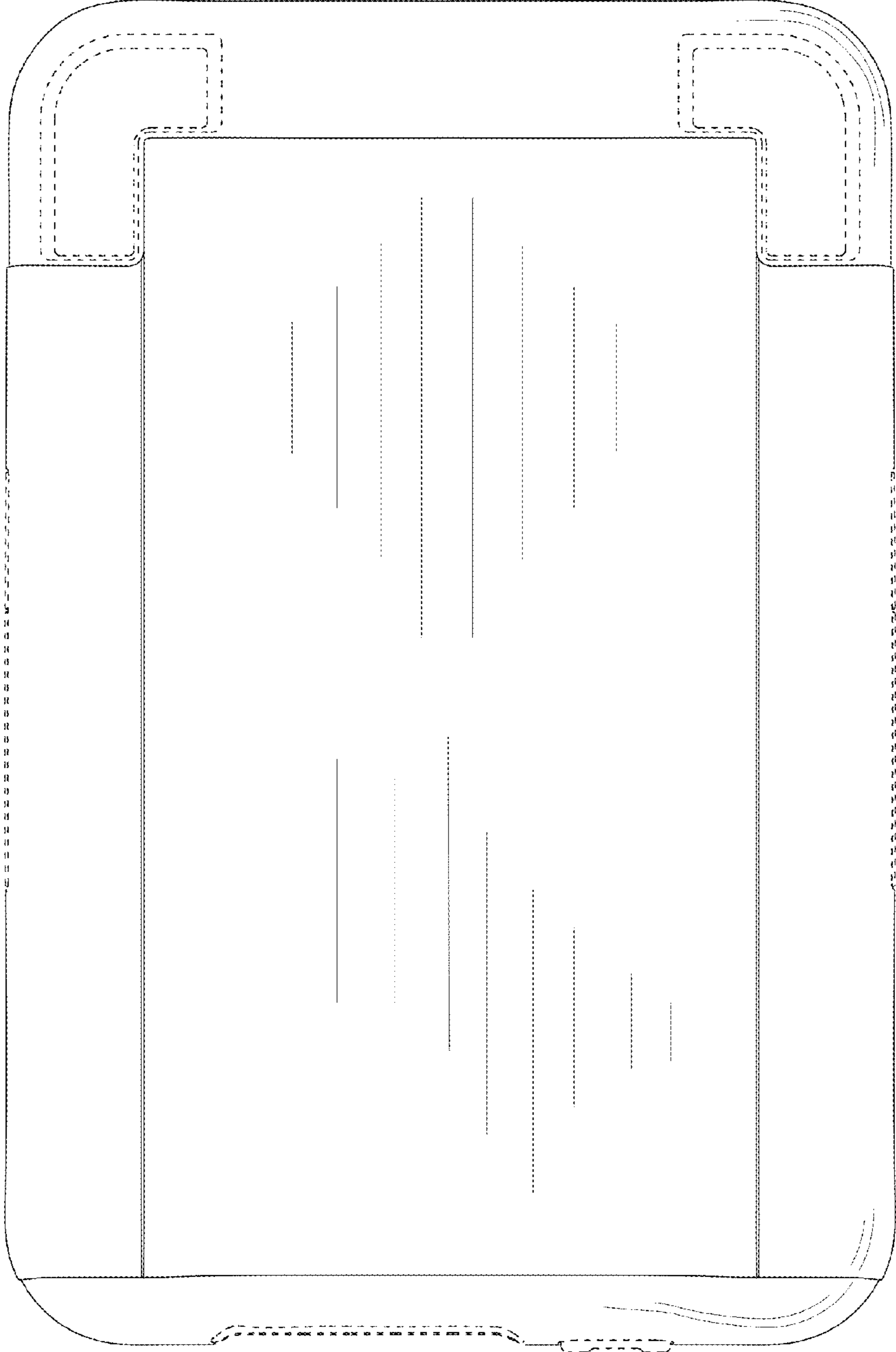


FIG. 4



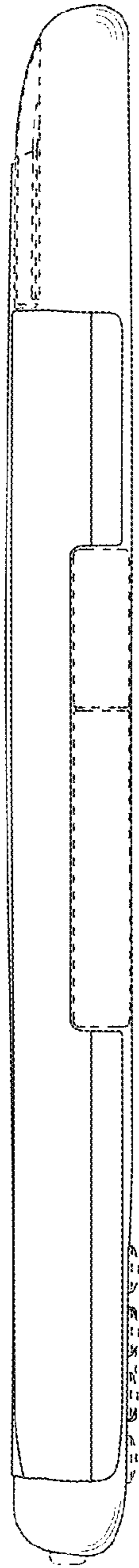


FIG. 5

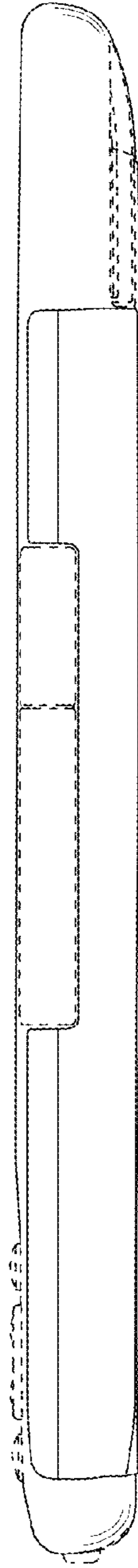


FIG. 6

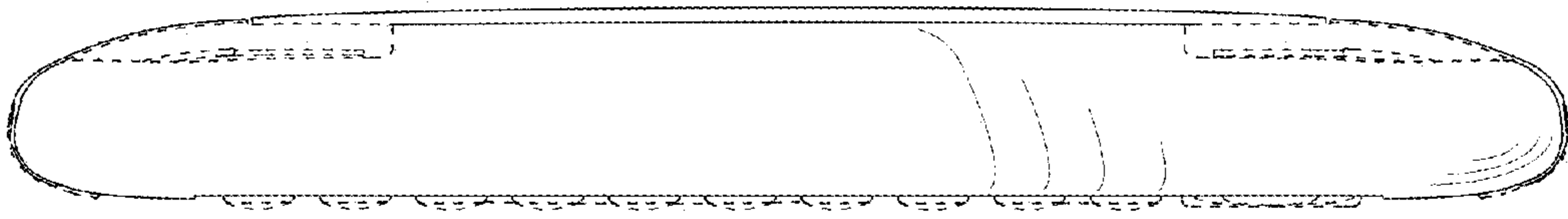


FIG. 7

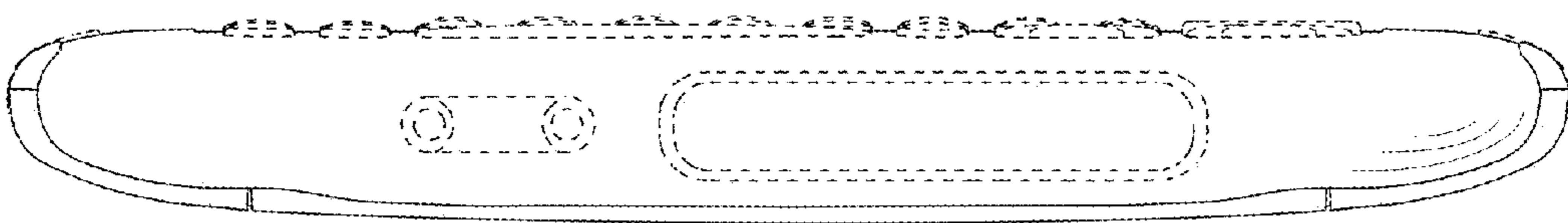


FIG. 8