



US00D675207S

(12) **United States Design Patent**
van der Lande

(10) **Patent No.:** **US D675,207 S**

(45) **Date of Patent:** **** Jan. 29, 2013**

(54) **LIGHTNING-SHAPED USB HUB**

(75) Inventor: **Jan van der Lande**, New York, NY (US)

(73) Assignee: **Kikkerland Design, Inc.**, New York, NY (US)

(**) Term: **14 Years**

(21) Appl. No.: **29/422,782**

(22) Filed: **May 24, 2012**

(51) **LOC (9) Cl.** **14-02**

(52) **U.S. Cl.** **D14/433**

(58) **Field of Classification Search** D14/432-435,
D14/435.1, 436-439, 356-358, 480.1-480.7,
D14/483, 484.1, 240; D13/107, 108, 110,
D13/118, 123, 133, 147, 154; 439/131, 500,
439/501, 445, 446, 296, 284, 286, 288; 361/679.4,
361/679.41, 679.44

See application file for complete search history.

(56) **References Cited**

U.S. PATENT DOCUMENTS

D307,538 S * 5/1990 Tyree D8/351
D377,461 S * 1/1997 Kloppenburg et al. D11/44
D485,515 S * 1/2004 Price D12/114

D628,803 S * 12/2010 Gonzalez D3/318
D635,353 S * 4/2011 Buchheim D3/211
D649,480 S * 11/2011 Scott D10/32

* cited by examiner

Primary Examiner — Austin Murphy

(74) *Attorney, Agent, or Firm* — Cascio & Zervas

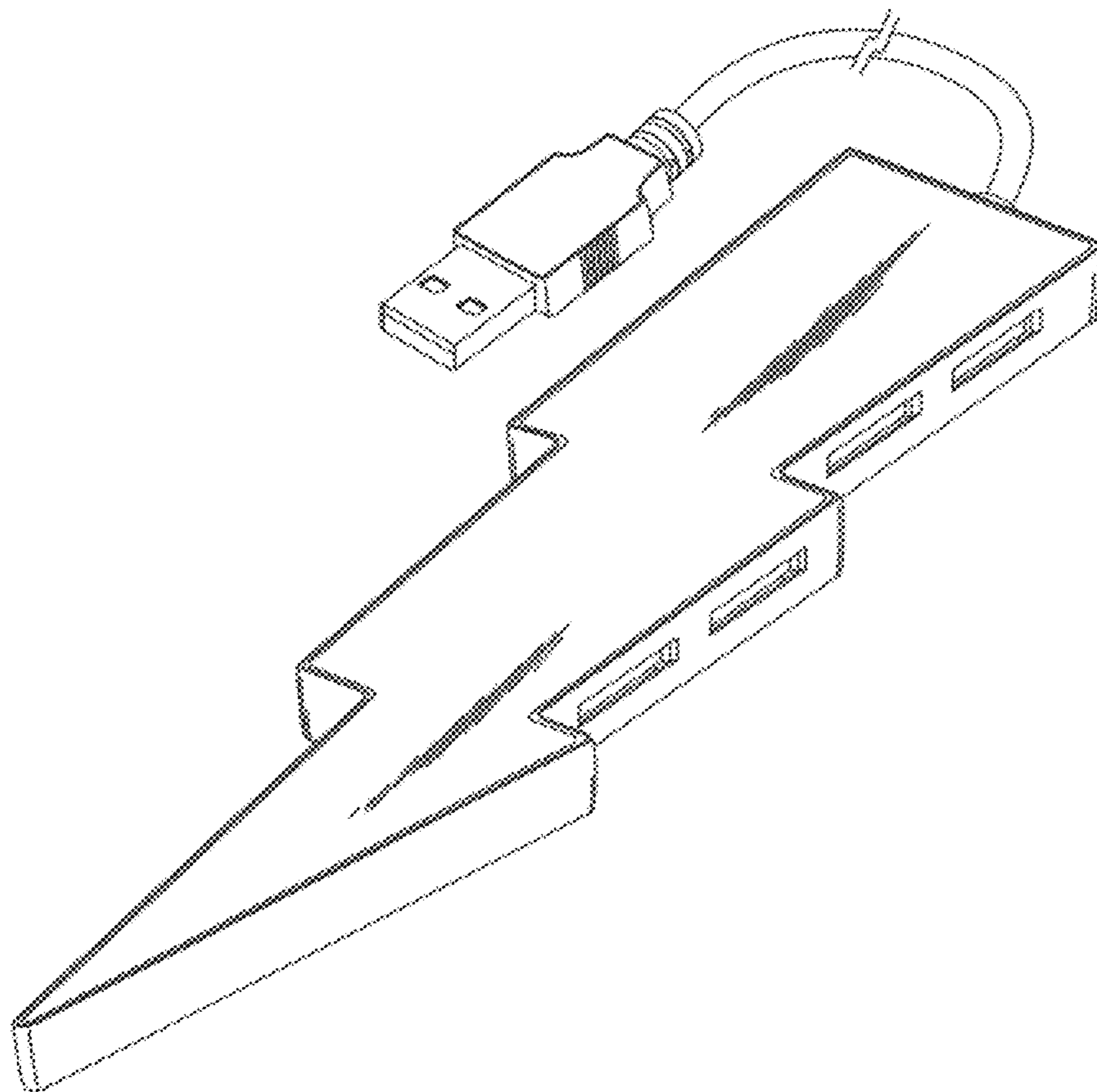
(57) **CLAIM**

The ornamental design for a lightning-shaped USB hub, as shown and described.

DESCRIPTION

FIG. 1 is a left side elevational view of a lightning-shaped USB hub showing my design;
FIG. 2 is a right side elevational view thereof;
FIG. 3 is a top plan view thereof;
FIG. 4 is a bottom plan view thereof; and
FIG. 5 is a front elevational view thereof;
FIG. 6 is a rear elevational view thereof; and,
FIG. 7 is a perspective view thereof.
The claimed article is shown broken away in FIGS. 1-7 to indicate indeterminate length.

1 Claim, 3 Drawing Sheets



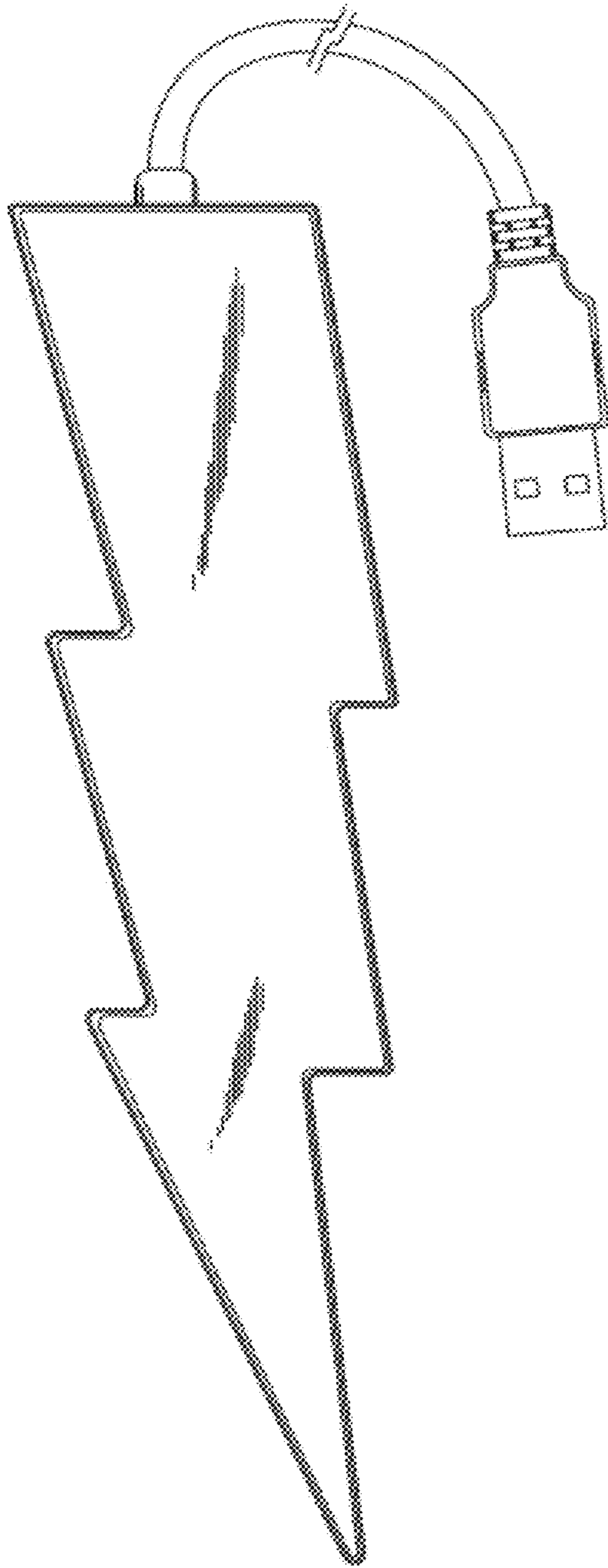


FIG. 1

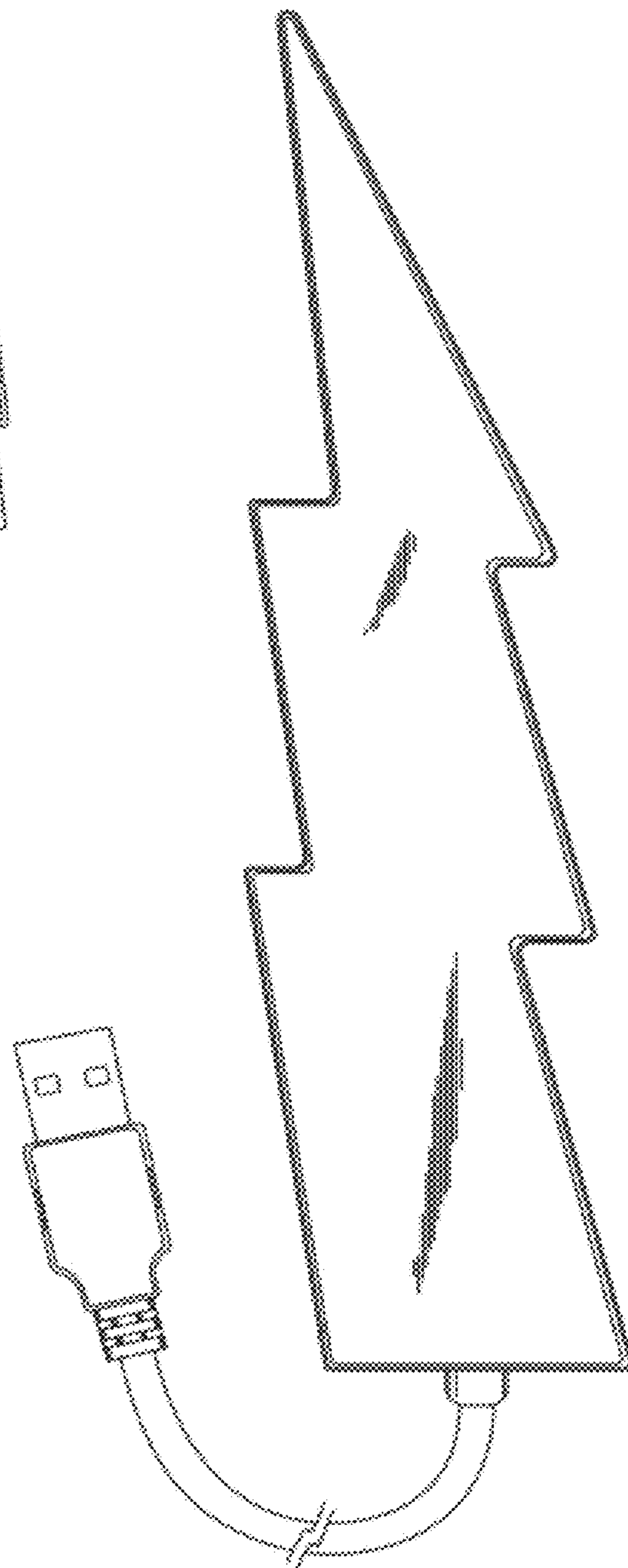


FIG. 2

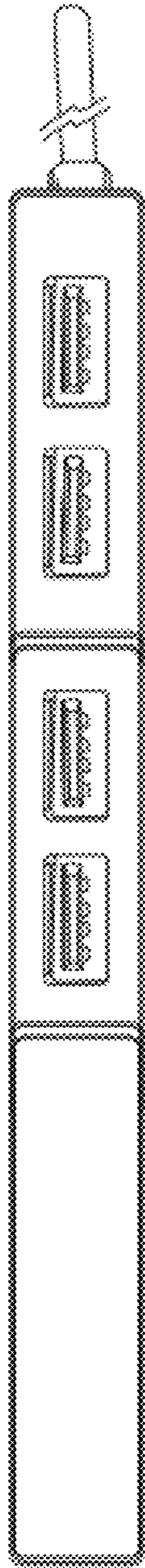


FIG. 3

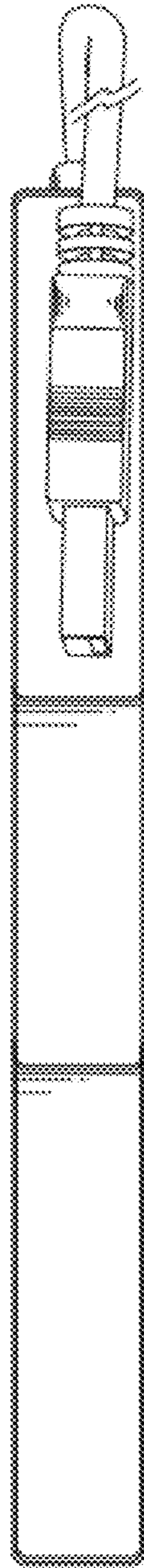


FIG. 4

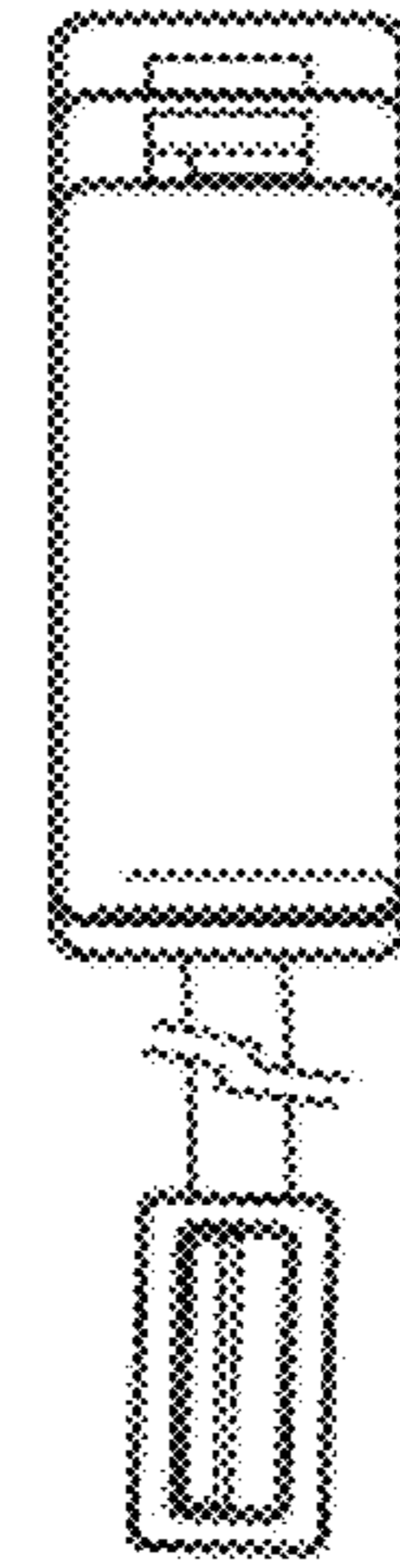


FIG. 5

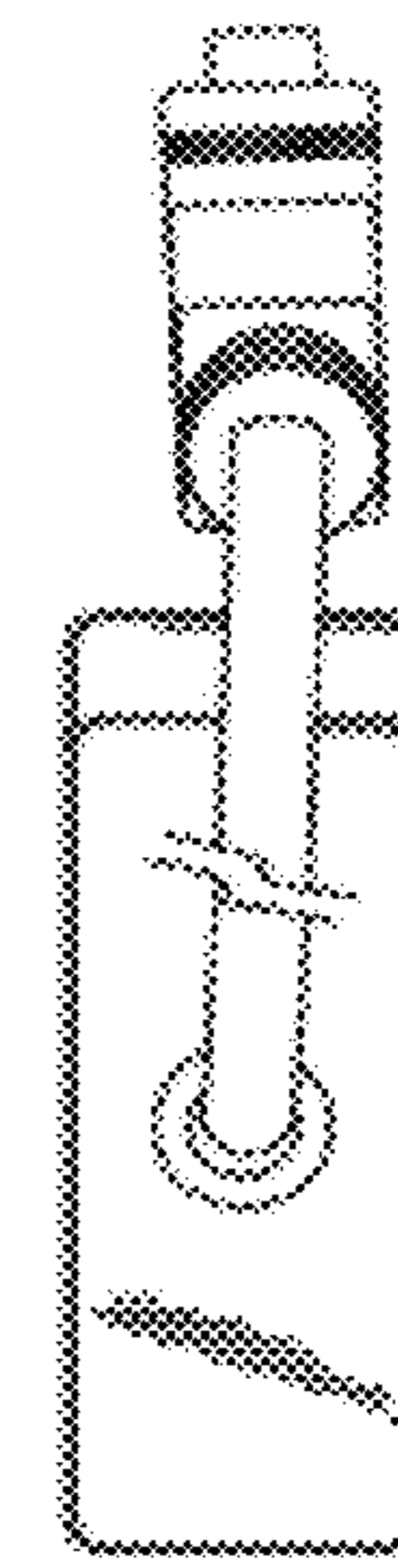


FIG. 6

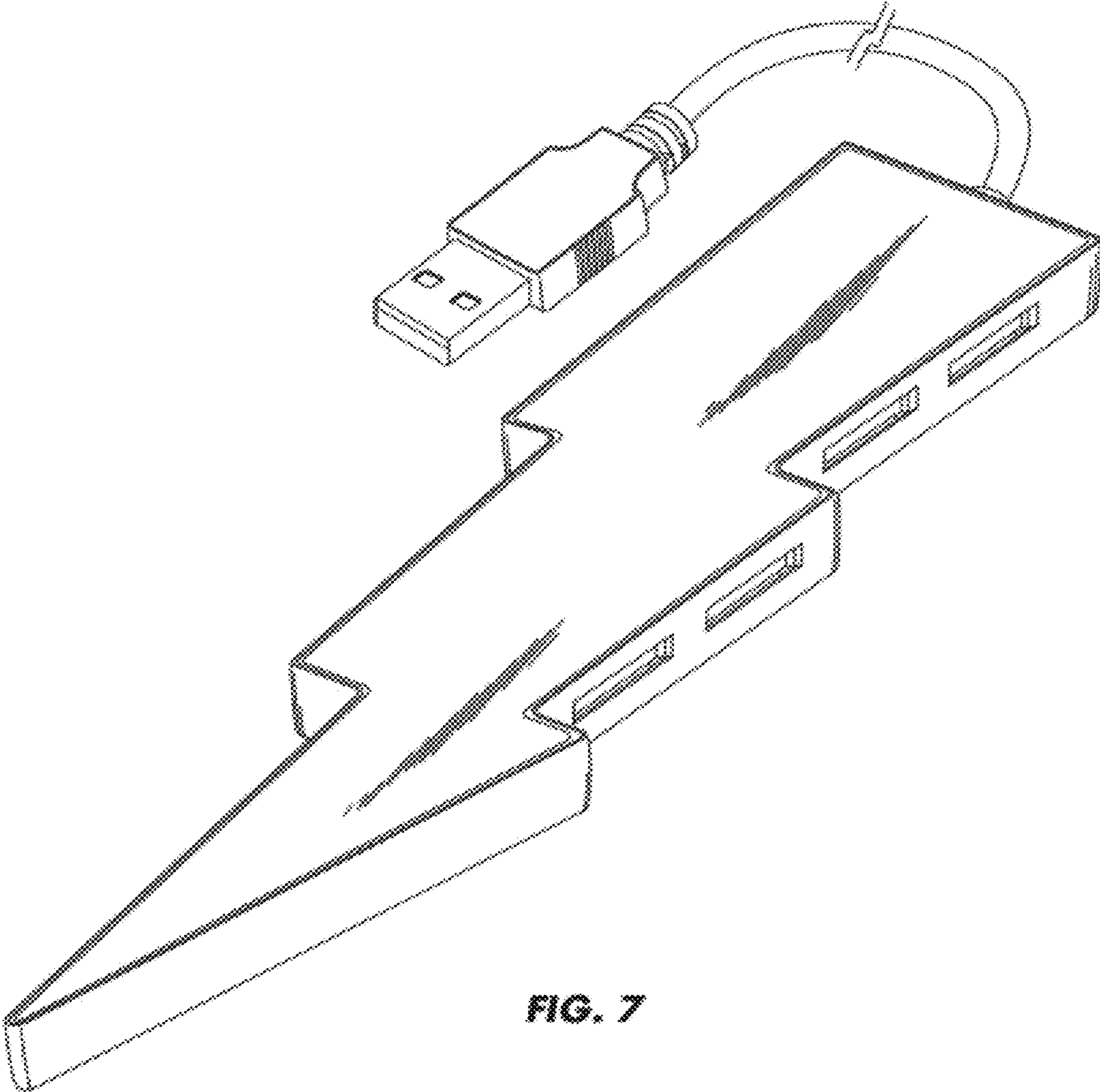


FIG. 7