



US00D675198S

(12) **United States Design Patent**
Andre et al.

(10) **Patent No.:** **US D675,198 S**
(45) **Date of Patent:** **** Jan. 29, 2013**

(54) **COVER**

(75) Inventors: **Bartley K. Andre**, Menlo Park, CA (US); **Daniel J. Coster**, San Francisco, CA (US); **Daniele De Iuliis**, San Francisco, CA (US); **Richard P. Howarth**, San Francisco, CA (US); **Jonathan P. Ive**, San Francisco, CA (US); **Steve Jobs**, Palo Alto, CA (US); **Duncan Robert Kerr**, San Francisco, CA (US); **Shin Nishibori**, Kailua, HI (US); **Matthew Dean Rohrbach**, San Francisco, CA (US); **Peter Russell-Clarke**, San Francisco, CA (US); **Douglas B. Satzger**, Menlo Park, CA (US); **Calvin Q. Seid**, Palo Alto, CA (US); **Vincent Keane Seid**, legal representative, Los Gatos, CA (US); **Christopher J. Stringer**, Woodside, CA (US); **Eugene Antony Whang**, San Francisco, CA (US); **Rico Zorkendorfer**, San Francisco, CA (US)

(73) Assignee: **Apple Inc.**, Cupertino, CA (US)

(**) Term: **14 Years**

(21) Appl. No.: **29/404,663**

(22) Filed: **Oct. 24, 2011**

Related U.S. Application Data

(60) Continuation of application No. 29/380,586, filed on Dec. 8, 2010, now Pat. No. Des. 648,718, which is a continuation of application No. 29/352,199, filed on Dec. 17, 2009, now Pat. No. Des. 628,799, which is a division of application No. 29/284,329, filed on Sep. 5, 2007, now Pat. No. Des. 619,361.

(51) **LOC (9) Cl.** **14-03**

(52) **U.S. Cl.** **D14/250**

(58) **Field of Classification Search** D3/201, D3/215, 218, 269, 273, 294; D14/138 R, D14/203.3, 203.7, 217-218, 248, 250-253, D14/432, 496, 511, 440

See application file for complete search history.

(56) **References Cited**

U.S. PATENT DOCUMENTS

D39,344 S	6/1908	Schoettle
D47,574 S	7/1915	Warren
D346,275 S	4/1994	Hayasaka et al.
D348,355 S	7/1994	Scheid et al.
D351,280 S	10/1994	Pennington et al.
D357,577 S	4/1995	Scheid
D366,463 S	1/1996	Ive et al.
D369,465 S	5/1996	Scheid et al.
D423,757 S	4/2000	Briggs
D469,109 S	1/2003	Andre et al.
D475,850 S	6/2003	Andre et al.
D476,149 S	6/2003	Andre et al.
D503,532 S	4/2005	Andre et al.
D506,476 S	6/2005	Andre et al.
D516,576 S	3/2006	Ive et al.

(Continued)

Primary Examiner — Philip S Hyder

Assistant Examiner — Roselynn Cody

(74) *Attorney, Agent, or Firm* — Sterne, Kessler, Goldstein & Fox PLLC

(57) **CLAIM**

The ornamental design for a cover, as shown and described.

DESCRIPTION

FIG. 1 is a front perspective view of a cover showing our new design.

FIG. 2 is a front view thereof;

FIG. 3 is a rear view thereof;

FIG. 4 is a rear perspective view thereof;

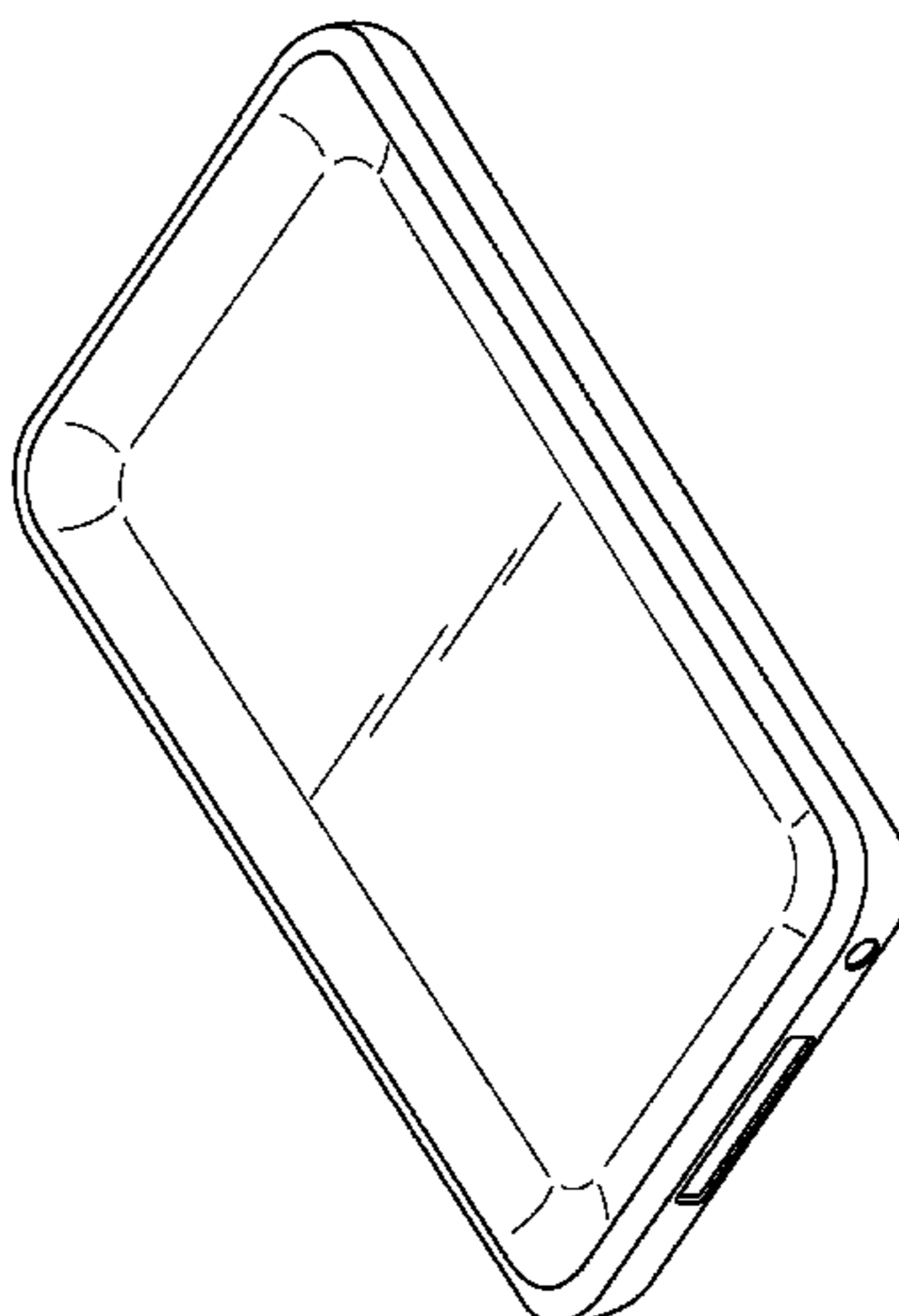
FIG. 5 is a side view for the thereof;

FIG. 6 is a top view for the thereof; and,

FIG. 7 is a bottom view thereof.

The shade lines in the Figures show contour and not surface ornamentation.

1 Claim, 4 Drawing Sheets



US D675,198 S

Page 2

U.S. PATENT DOCUMENTS

D518,290 S	4/2006	Andre et al.	D568,605 S	5/2008	Harris et al.
D519,275 S	4/2006	Shertzer	D570,101 S	6/2008	Harris et al.
D521,232 S	5/2006	Andre et al.	D570,102 S	6/2008	Harris et al.
D526,780 S	8/2006	Richardson et al.	D570,103 S	6/2008	Harris et al.
D527,176 S	8/2006	Andre et al.	D570,871 S	6/2008	Niizawa et al.
D530,079 S	10/2006	Thomas et al.	D570,872 S	6/2008	Niizawa et al.
D533,348 S	12/2006	Andre et al.	D570,873 S	6/2008	Niizawa et al.
D538,822 S	3/2007	Andre et al.	D570,874 S	6/2008	Niizawa et al.
D539,530 S	4/2007	Sanderson et al.	D570,875 S	6/2008	Sheba et al.
D540,539 S	4/2007	Gutierrez	D572,267 S	7/2008	Andre et al.
D541,042 S	4/2007	Andre et al.	D572,268 S	7/2008	Niizawa et al.
D541,298 S	4/2007	Andre et al.	D574,819 S	8/2008	Andre et al.
D542,524 S	5/2007	Richardson et al.	D578,137 S	10/2008	Sheba et al.
D547,057 S	7/2007	Griffin et al.	D578,138 S	10/2008	Sheba et al.
D548,745 S	8/2007	Andre et al.	D578,139 S	10/2008	Sheba et al.
D551,252 S	9/2007	Andre et al.	D578,140 S	10/2008	Sheba et al.
D551,847 S	10/2007	Yeap et al.	D578,141 S	10/2008	Sheba et al.
D551,855 S	10/2007	Yeh et al.	D581,155 S	11/2008	Richardson et al.
D551,856 S	10/2007	Ko et al.	D584,740 S	1/2009	Sheba et al.
D553,852 S	10/2007	Brandenburg	D584,741 S	1/2009	Sheba et al.
D556,448 S	12/2007	Brandenburg	D584,742 S	1/2009	Sheba et al.
D556,681 S	12/2007	Kim	D584,743 S	1/2009	Sheba et al.
D557,205 S	12/2007	Kim	D587,008 S	2/2009	Richardson et al.
D557,494 S	12/2007	Mayette et al.	D593,535 S	6/2009	Sheba et al.
D557,495 S	12/2007	Chan et al.	D595,052 S	6/2009	Rohrbach et al.
D558,972 S	1/2008	Oh	D597,521 S	8/2009	Andre et al.
D559,229 S	1/2008	Griffin et al.	D597,556 S	8/2009	Andre et al.
D559,230 S	1/2008	Griffin et al.	D601,799 S	10/2009	Andre et al.
D559,267 S	1/2008	Griffin	D605,165 S	12/2009	Sheba et al.
D559,529 S	1/2008	Griffin et al.	D605,166 S	12/2009	Sheba et al.
D560,350 S	1/2008	Scapillato et al.	D605,167 S	12/2009	Sheba et al.
D561,092 S	2/2008	Kim	D606,751 S	12/2009	Andre et al.
D566,383 S	4/2008	Harris et al.	D607,874 S	1/2010	Sheba et al.
D566,962 S	4/2008	Griffin et al.	D615,526 S	5/2010	Andre et al.
D568,042 S	5/2008	Cerullo	D628,799 S	12/2010	Andre et al.
D568,338 S	5/2008	Andre et al.	D647,519 S *	10/2011	Rothbaum et al. D14/250

* cited by examiner

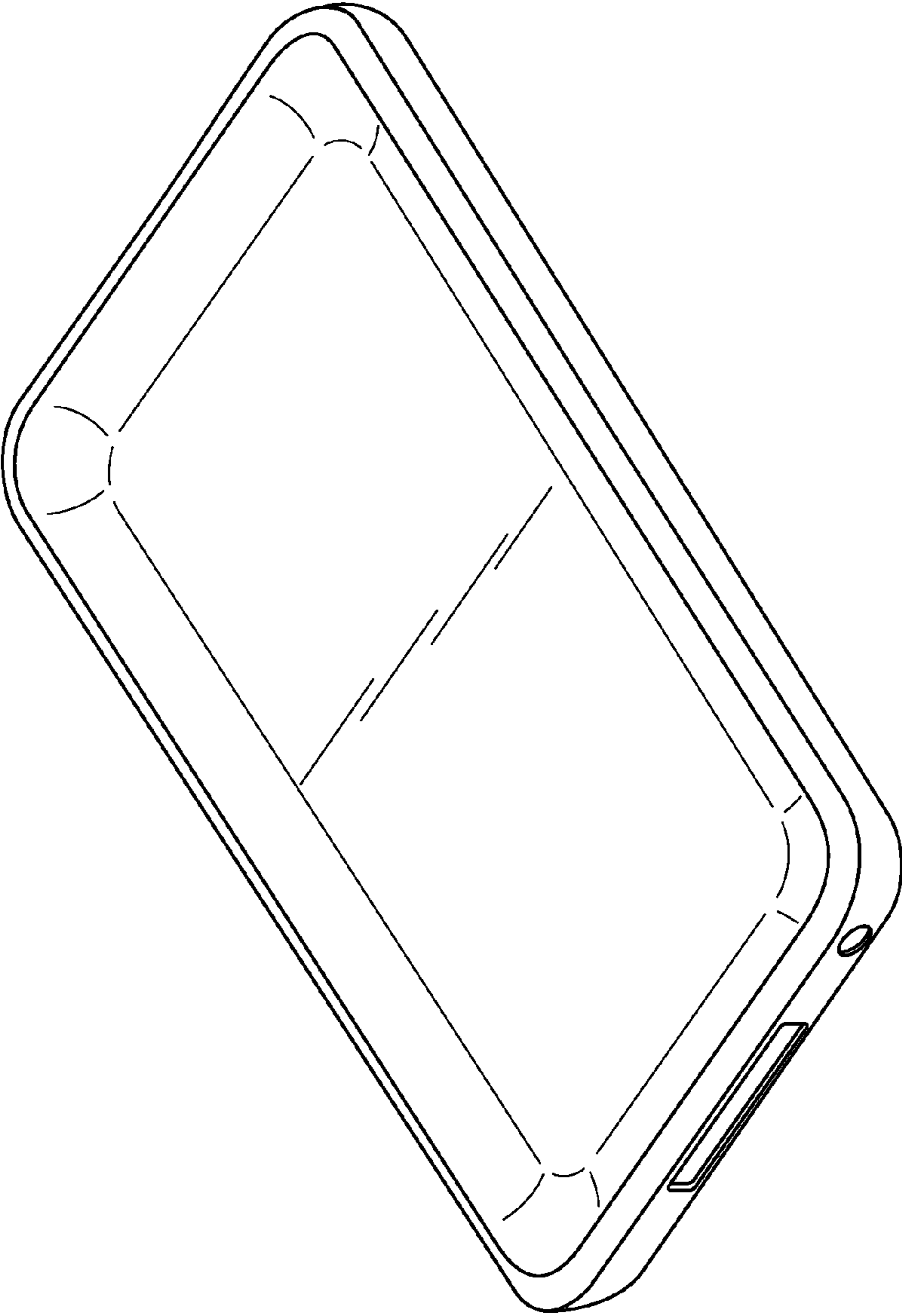


FIG. 1

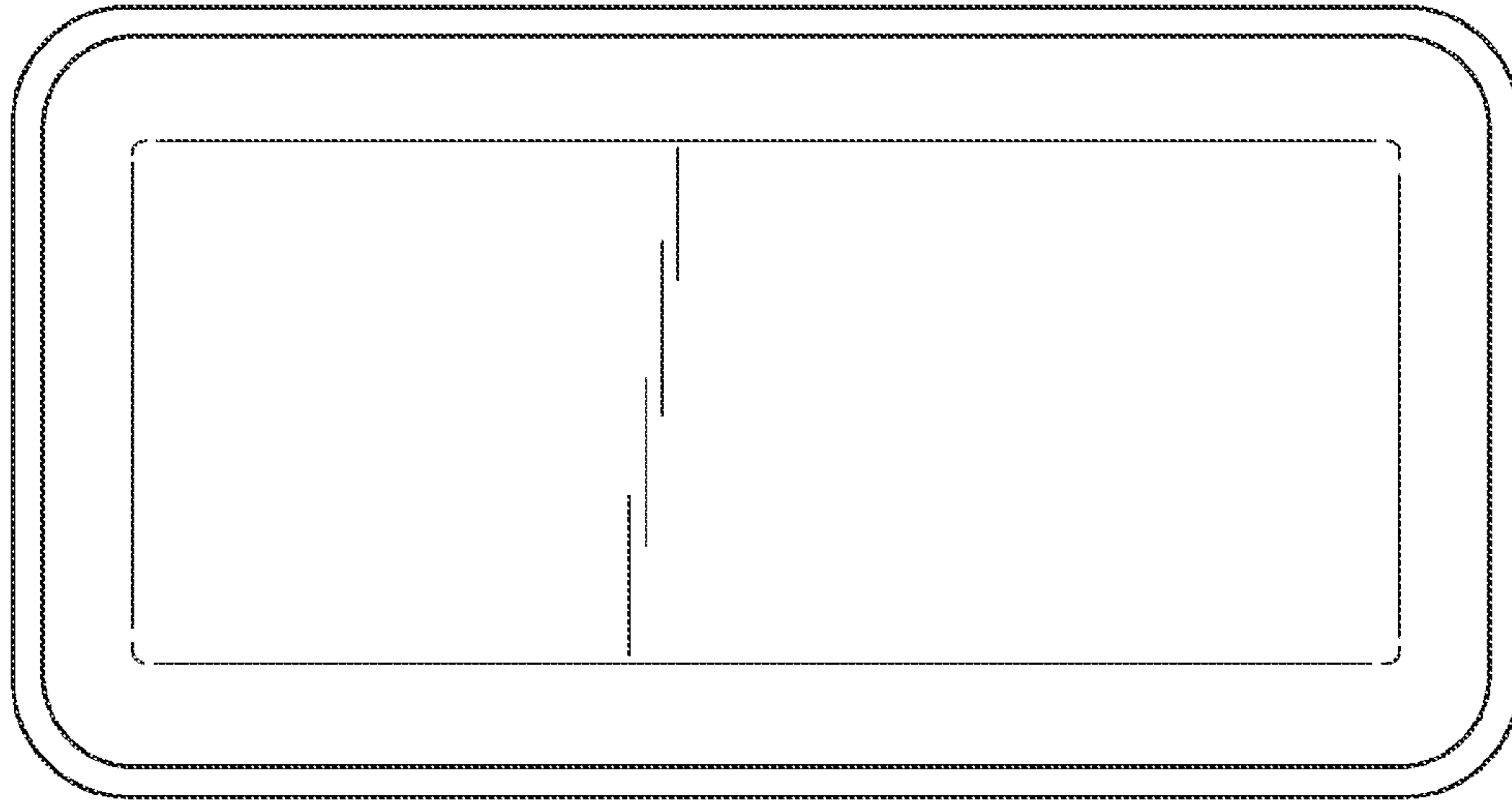


FIG. 2

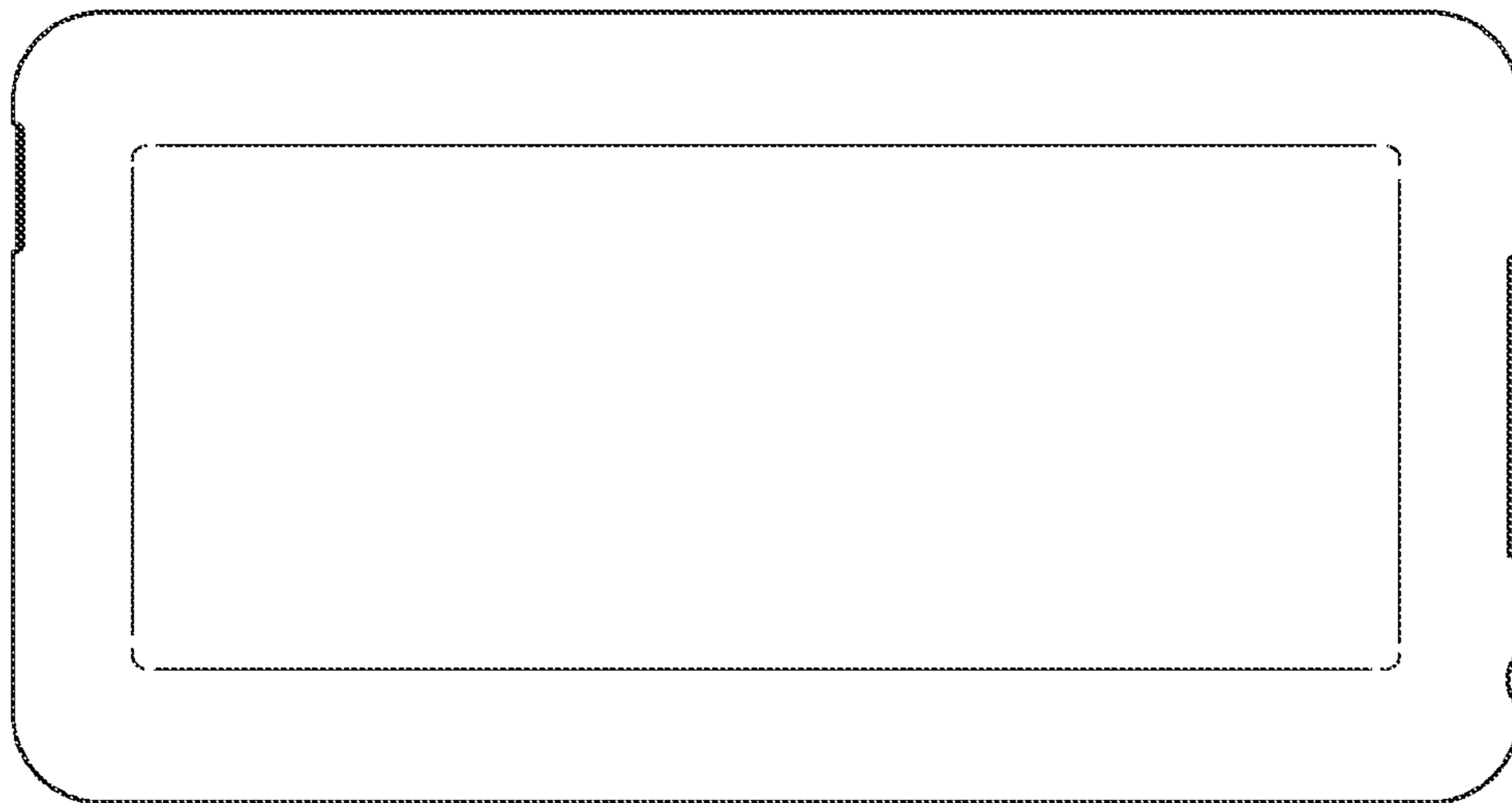


FIG. 3

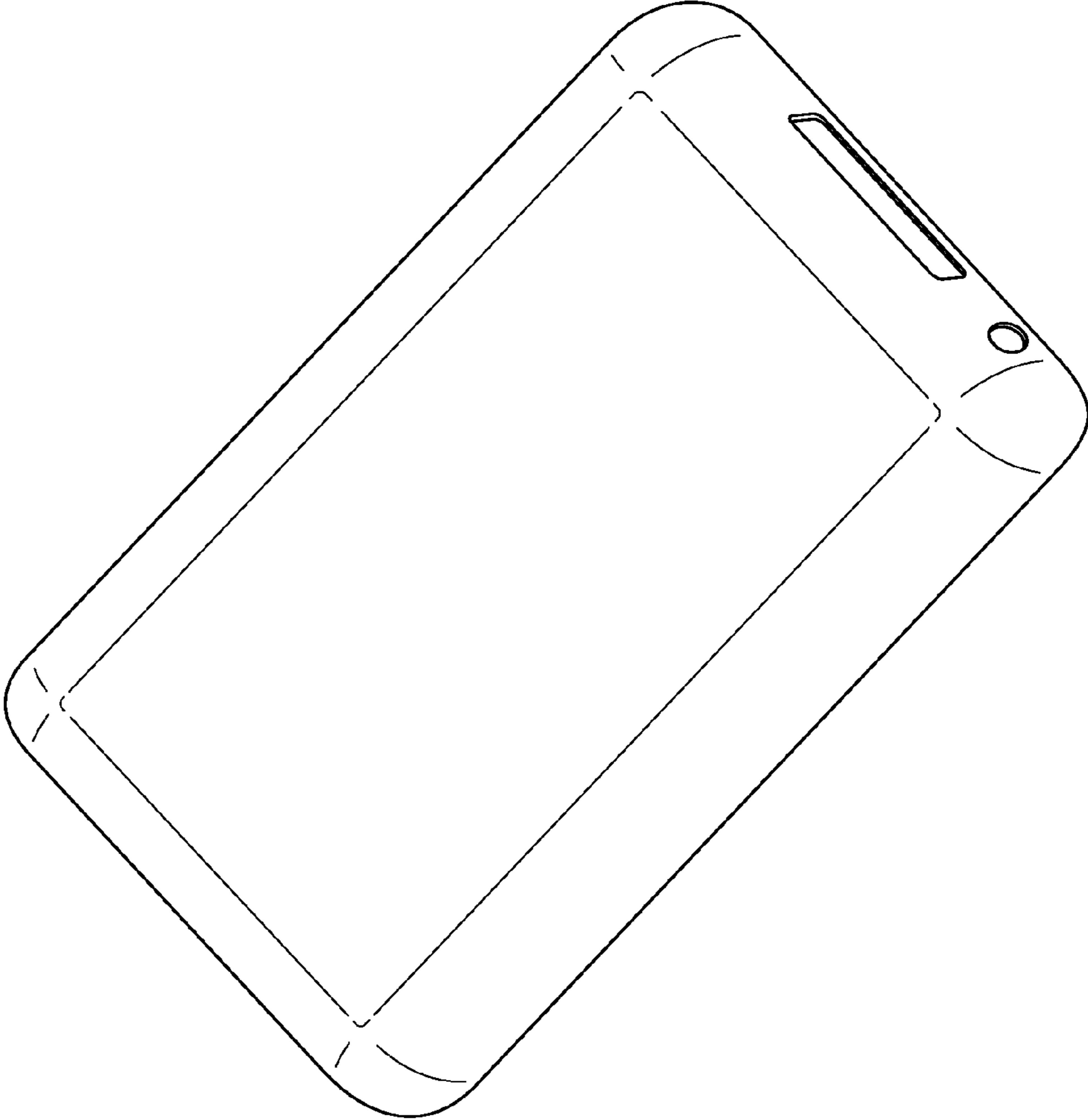


FIG. 4

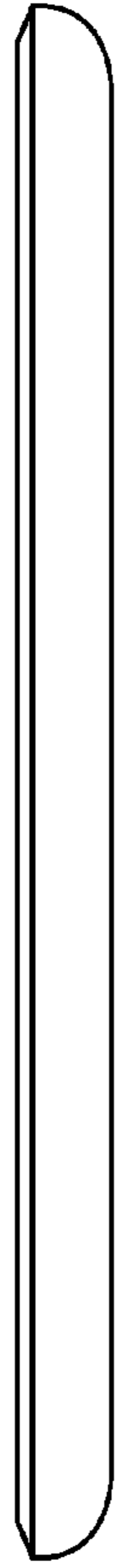


FIG. 5



FIG. 6

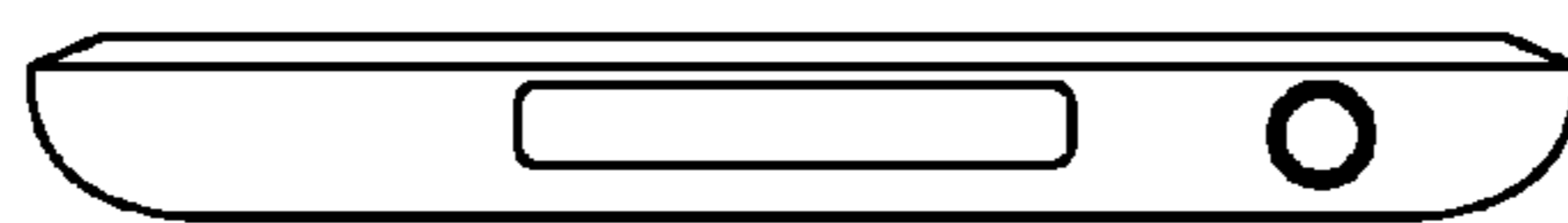


FIG. 7