



US00D675197S

(12) **United States Design Patent**
Losiewicz

(10) **Patent No.:** **US D675,197 S**
(45) **Date of Patent:** **** Jan. 29, 2013**

(54) **PORTABLE ELECTRONIC DEVICE SKIN**

D661,692 S * 6/2012 Sanlville D14/240
D662,100 S * 6/2012 Van Den Nieuwenhuizen
et al. D14/440
2012/0008269 A1* 1/2012 Gengler 361/679.09

(76) Inventor: **Ronald James Losiewicz**, Willowbrook,
IL (US)

(**) Term: **14 Years**

(21) Appl. No.: **29/376,918**

(22) Filed: **Oct. 14, 2010**

(51) **LOC (9) Cl.** **14-30**

(52) **U.S. Cl.** **D14/250**

(58) **Field of Classification Search** D14/250–253,
D14/440, 203.1–203.7, 217, 496, 248, 137–138 AA,
D14/138 G, 447; D3/201, 218, 269, 301,
D3/273, 303, 103, 247; D13/103, 107, 108,
D13/119; 220/4.02; 248/309.1, 688, 459;
361/679.56, 679.55, 679.01; 379/426, 433.11,
379/455; 455/575.1, 575.8; 190/100; 206/305,
206/320; D6/310, 311, 300

See application file for complete search history.

(56) **References Cited**

U.S. PATENT DOCUMENTS

D240,431 S * 7/1976 Stapp D14/251
D306,583 S * 3/1990 Krolopp et al. D14/137
D589,699 S * 4/2009 Silvera D3/218
D632,686 S * 2/2011 Magness et al. D14/250
D638,412 S * 5/2011 Lee D14/250
D643,433 S * 8/2011 Hsieh et al. D14/440
D648,529 S * 11/2011 Brown D3/269
D659,139 S * 5/2012 Gengler D14/392

OTHER PUBLICATIONS

Clear Yellow Belt Loop Silicone Case for iPhone 4 4G. [online]
[retrieved on Jul. 30, 2012] Retrieved from <http://www.ebay.com/itm/Clear-Yellow-Belt-Loop-Silicone-Case-iPhone-4-4G-/220928953614?pt=PDA_Accessories&hash=item3370644d0e>.*
Trent metallic leather iPhone sleeve. [online] [retrieved on Jul. 30,
2012] Retrieved from <<http://www.net-a-porter.com/product/163750>>.*

* cited by examiner

Primary Examiner — Robert M Spear
Assistant Examiner — Vy Koenig
(74) *Attorney, Agent, or Firm* — Skokos Law Group, LLC

(57) **CLAIM**

The ornamental design for a portable electronic device skin,
as shown.

DESCRIPTION

FIG. 1 is a bottom view of a first embodiment for a design for
a portable electronic device skin;
FIG. 2 is a perspective bottom view of the first embodiment;
FIG. 3 is a top view of the first embodiment;
FIG. 4 is a side view of the first embodiment;
FIG. 5 is a bottom view of a second embodiment for a design
for a portable electronic device skin;
FIG. 6 is a perspective bottom view of the second embodi-
ment;
FIG. 7 is a top view of the second embodiment; and,
FIG. 8 is a side view of the second embodiment.

1 Claim, 8 Drawing Sheets

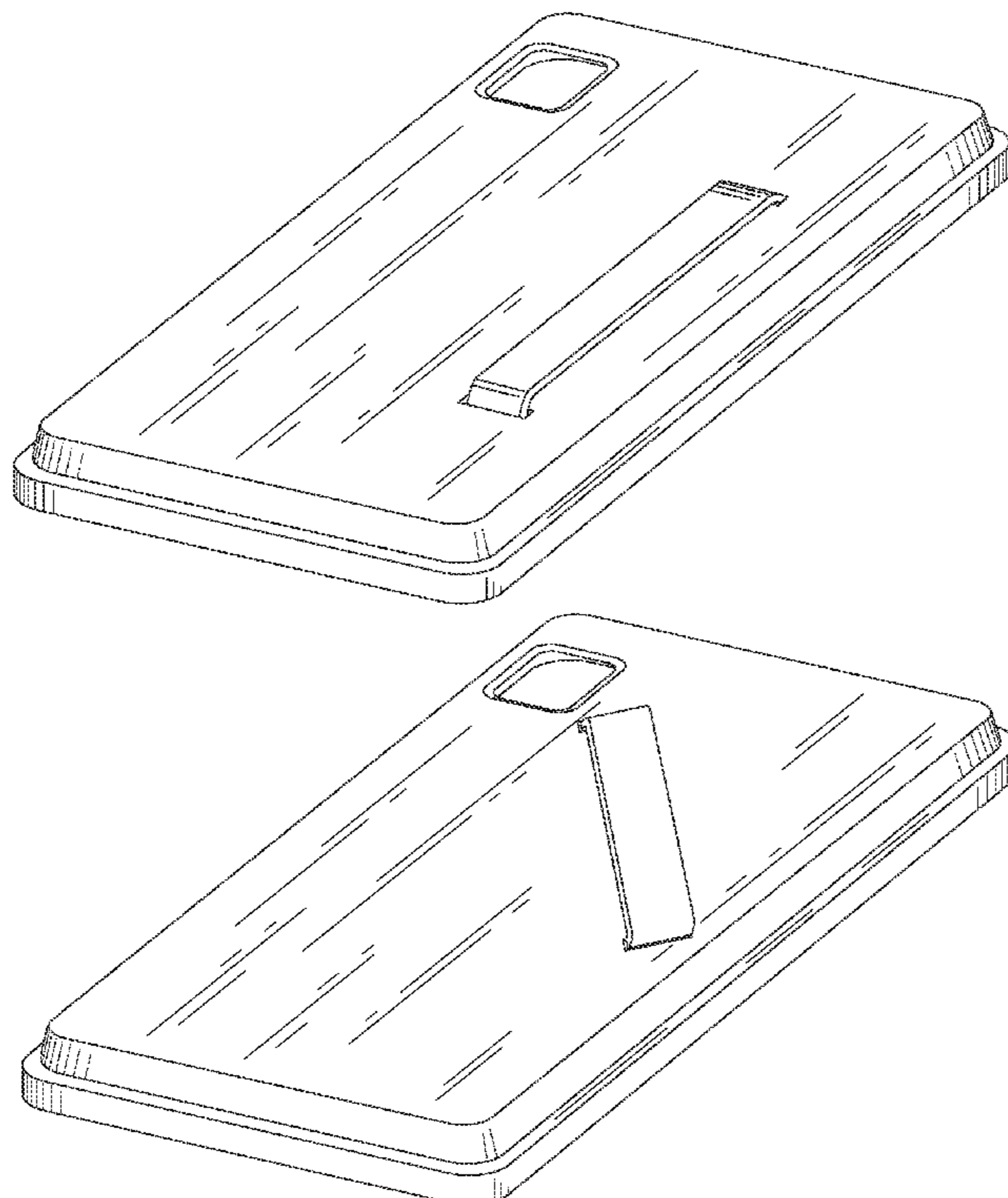


Fig. 1

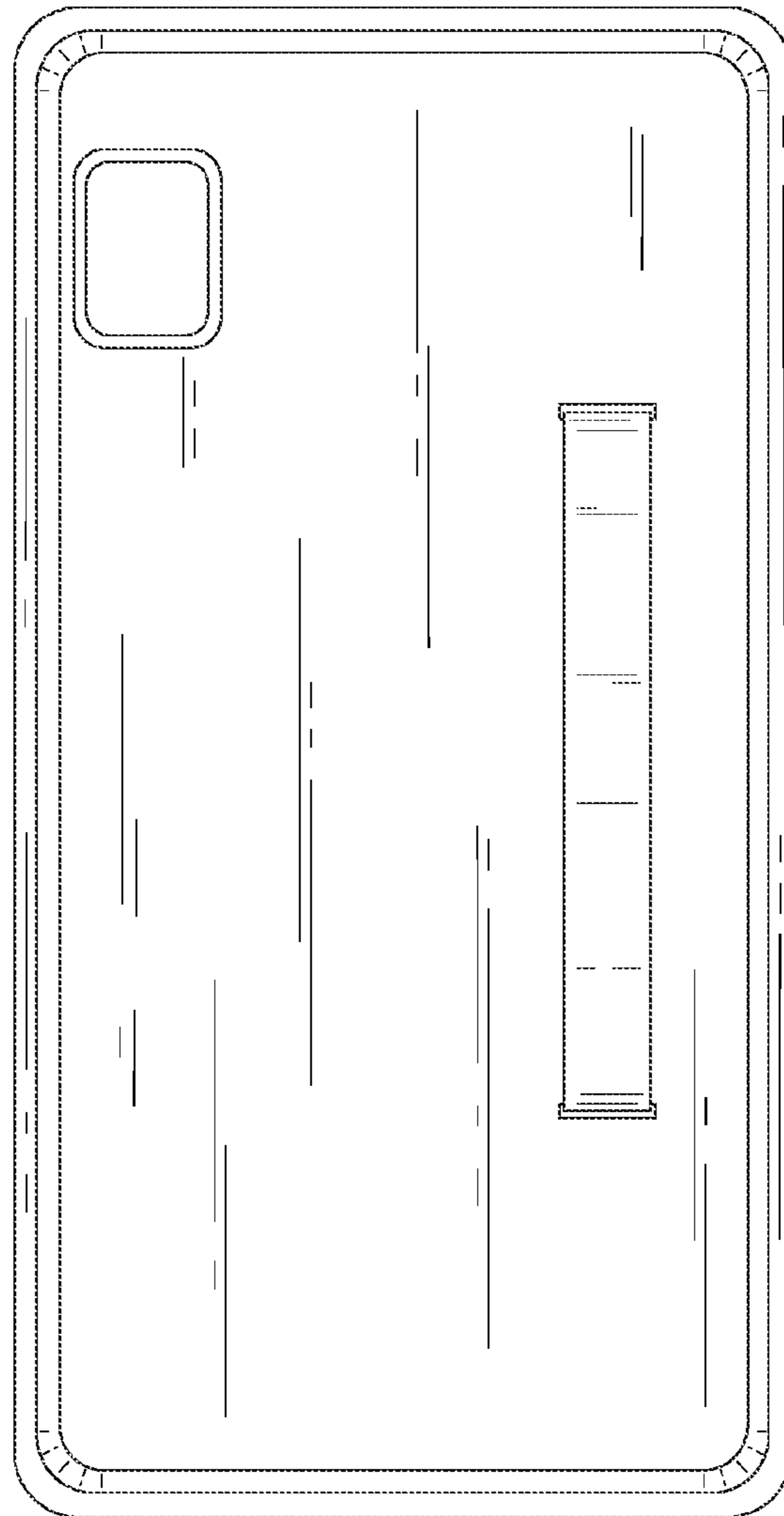


Fig. 2

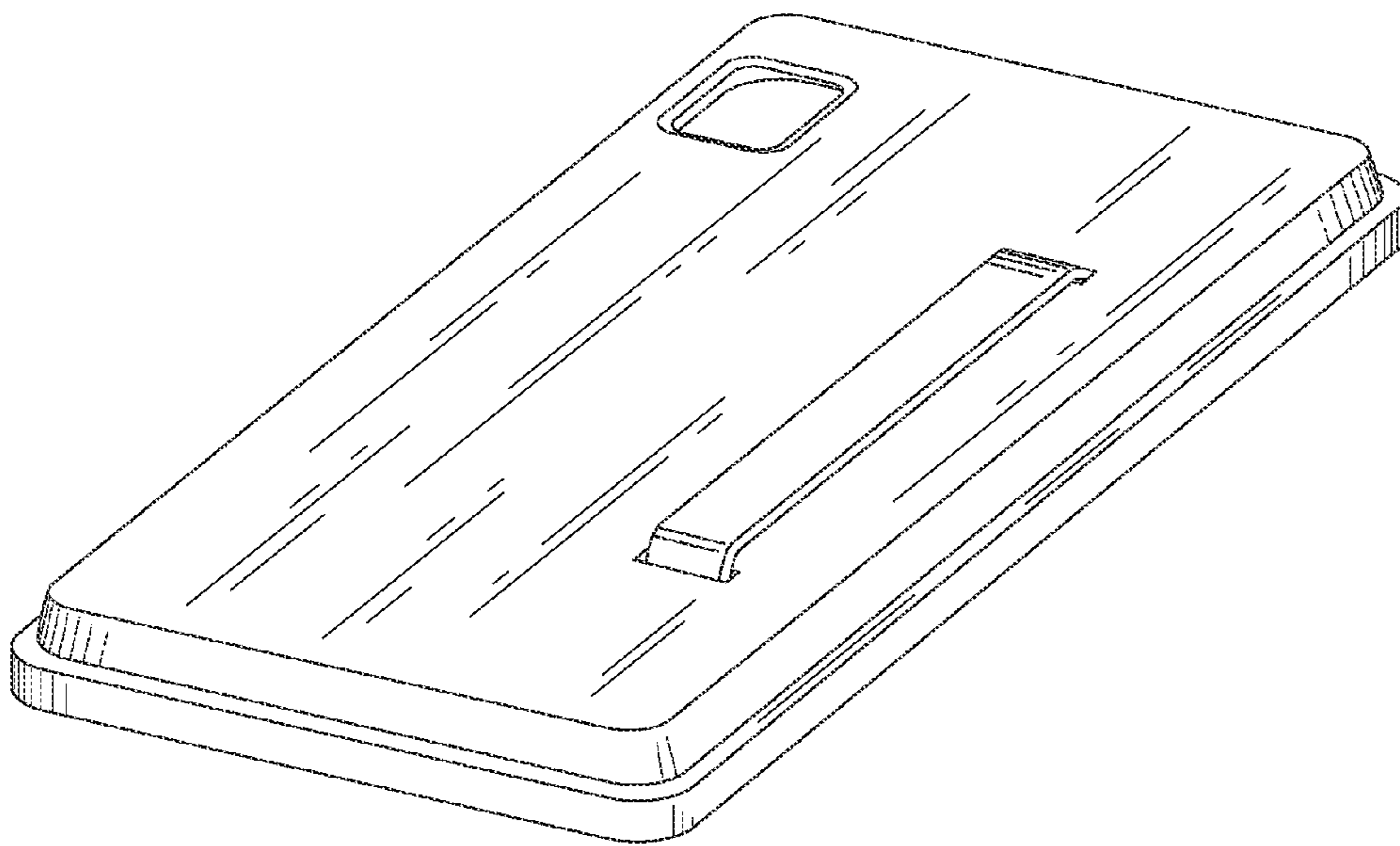


Fig. 3

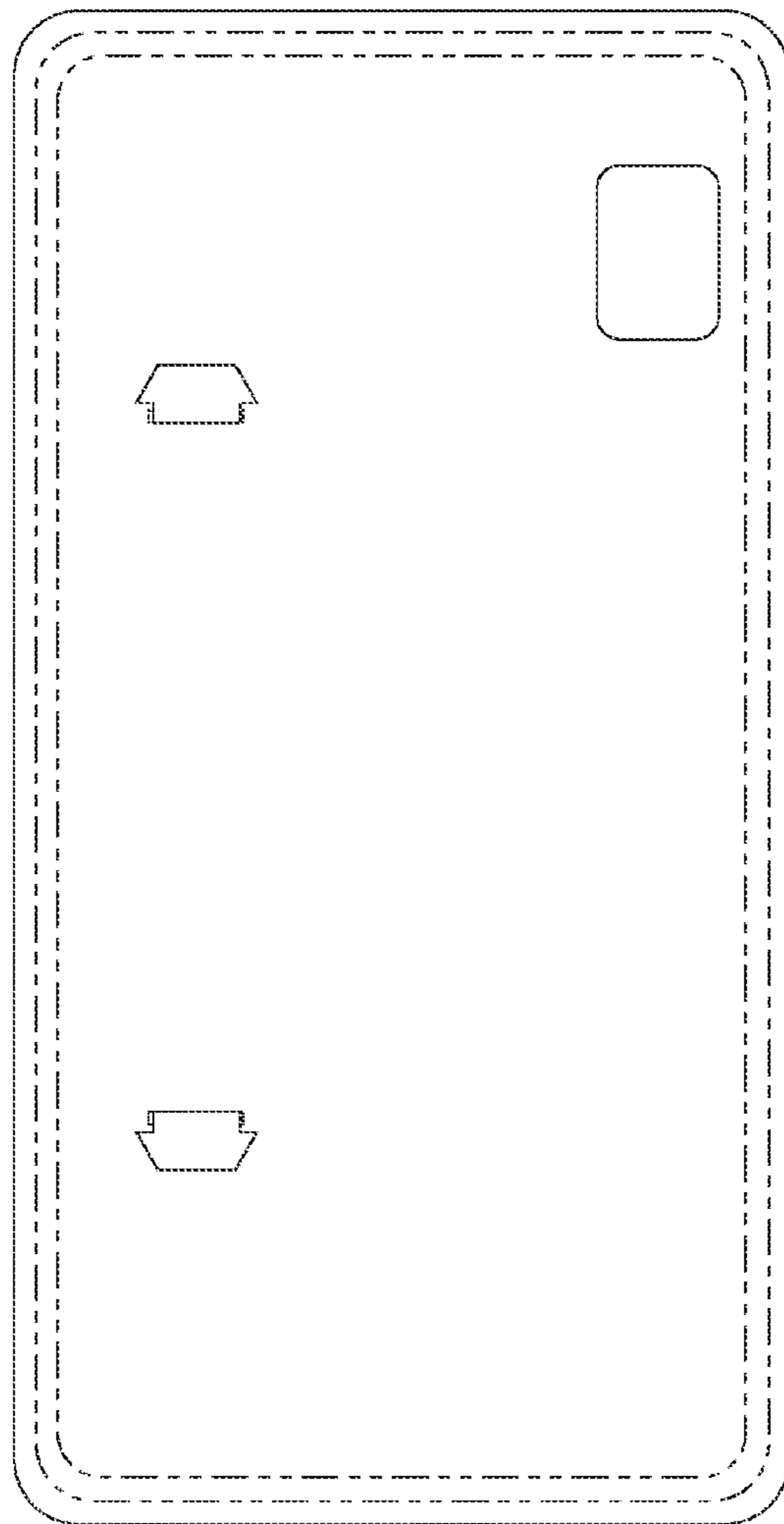


Fig. 4

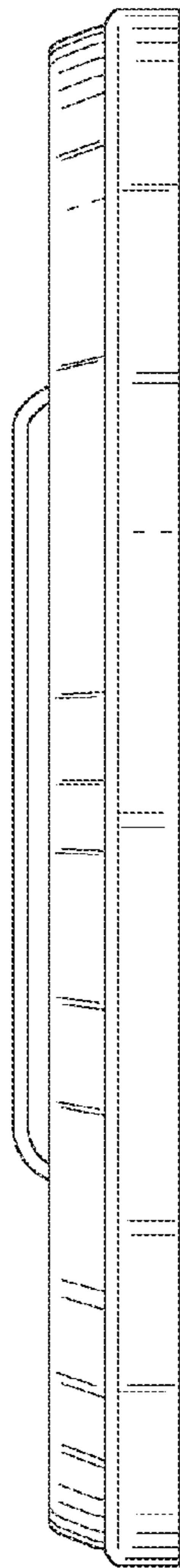


Fig. 5

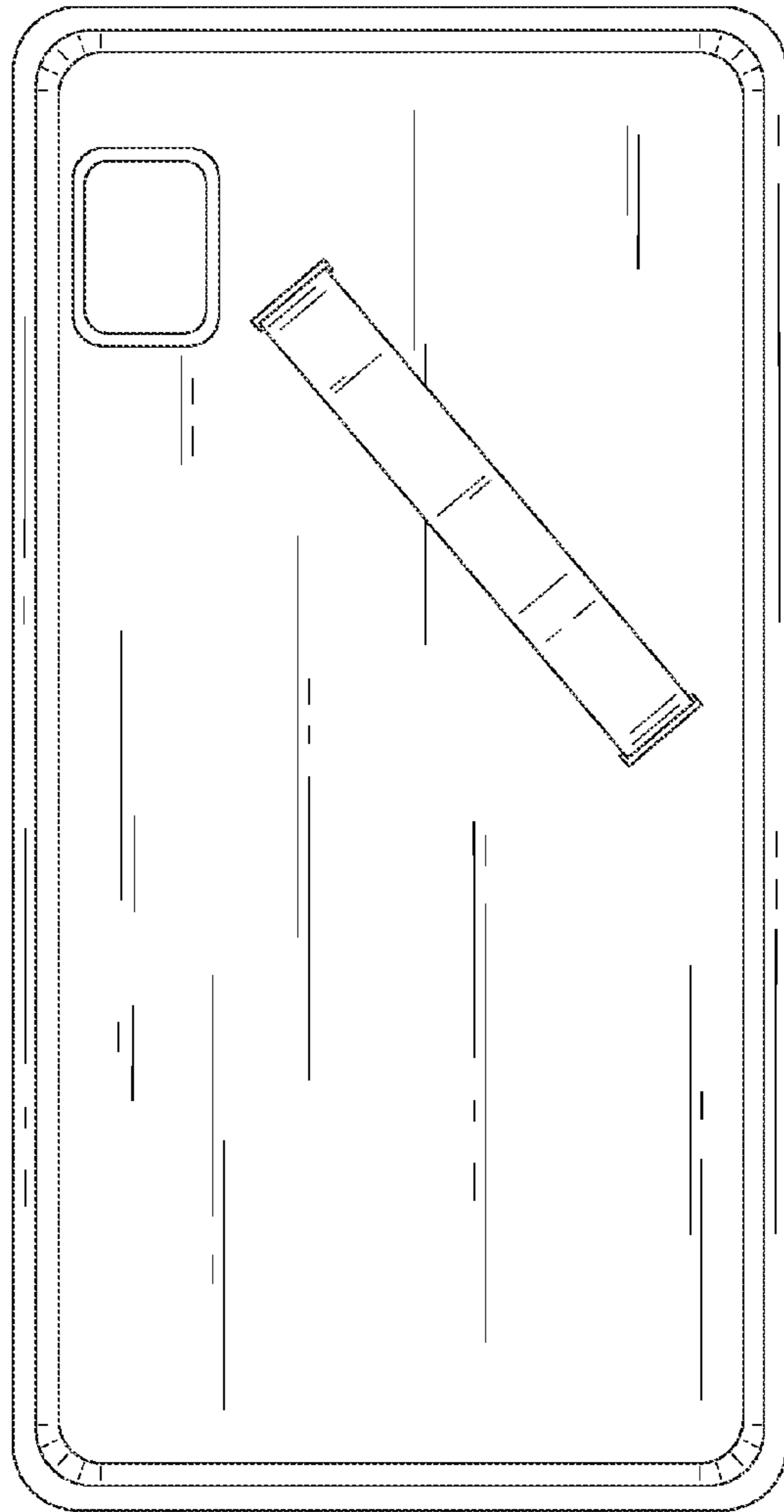


Fig. 6

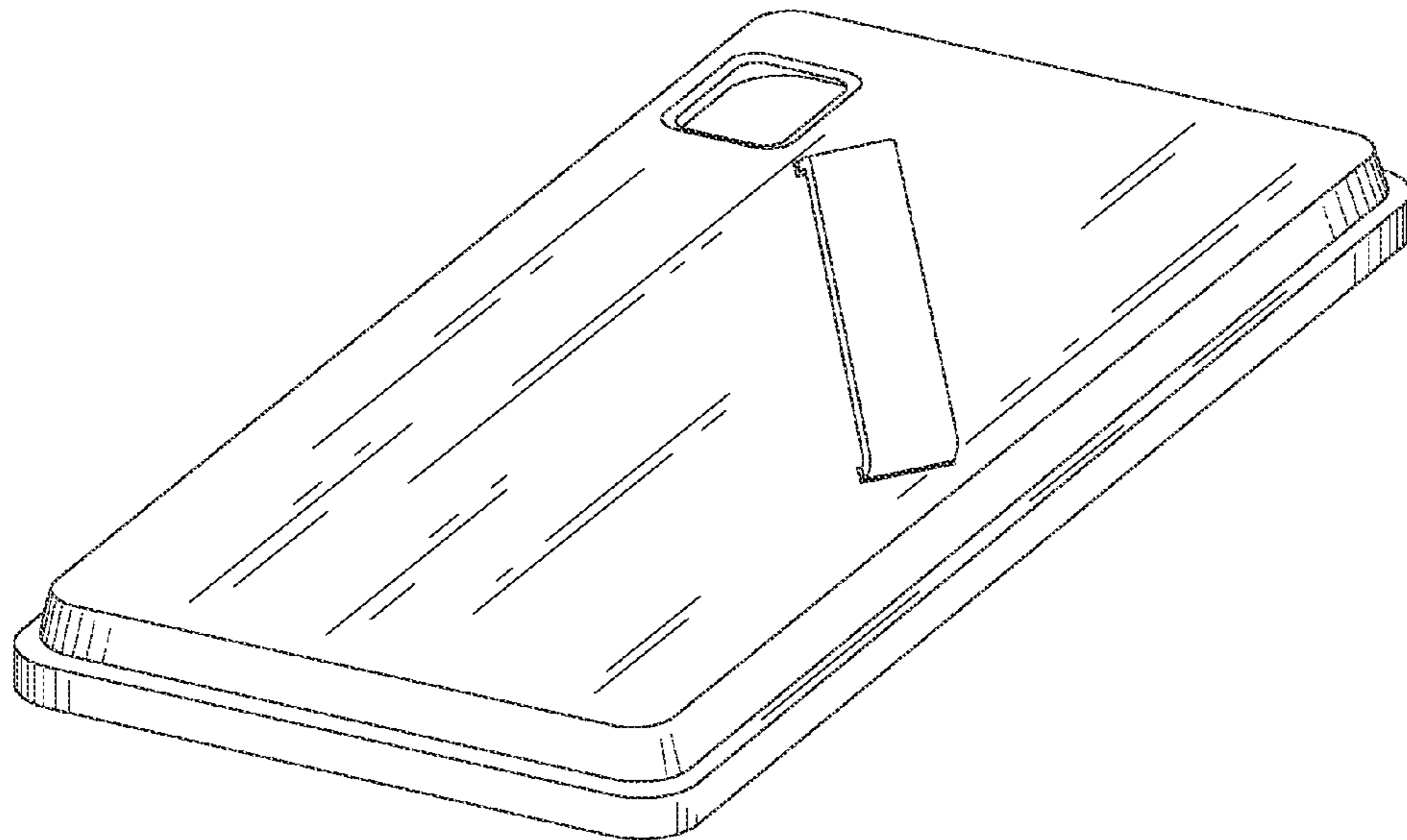


Fig. 7

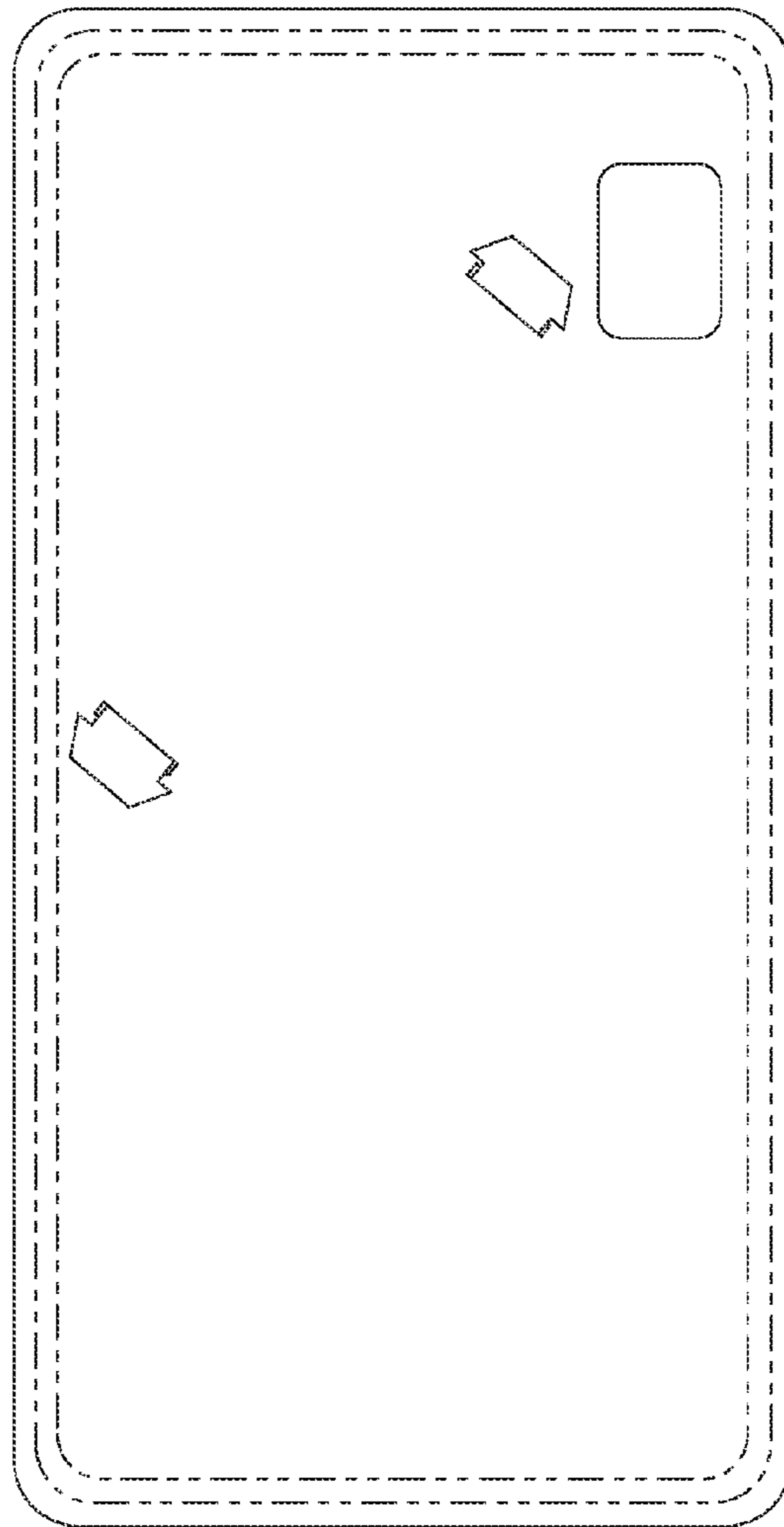


Fig. 8

