



US00D675195S

(12) **United States Design Patent**  
**Huang et al.**

(10) **Patent No.:** **US D675,195 S**

(45) **Date of Patent:** **\*\* Jan. 29, 2013**

(54) **MULTI-BAND ANTENNA**

(75) Inventors: **Yi-Feng Huang**, New Taipei (TW);  
**Jia-Hung Su**, New Taipei (TW); **Kai Shih**, New Taipei (TW)

(73) Assignee: **Cheng Uei Precision Industry Co., Ltd.**, New Taipei (TW)

(\*\*) Term: **14 Years**

(21) Appl. No.: **29/419,375**

(22) Filed: **Apr. 27, 2012**

(51) **LOC (9) Cl.** ..... **14-03**

(52) **U.S. Cl.** ..... **D14/230**

(58) **Field of Classification Search** ..... D14/138,  
D14/230-238, 299, 358; D12/42, 43; 343/700 MS,  
343/700 R-705, 711-713, 735, 736, 741,  
343/748, 767, 795, 819, 840, 846, 866, 871-908;  
455/90.2, 90.3, 91, 128, 269, 344, 347, 562.1;  
333/193, 195

See application file for complete search history.

(56) **References Cited**

U.S. PATENT DOCUMENTS

6,329,951	B1 *	12/2001	Wen et al.	.....	343/702
D534,902	S *	1/2007	Su et al.	.....	D14/230
D535,290	S *	1/2007	Su et al.	.....	D14/230
D555,155	S *	11/2007	Su et al.	.....	D14/230
D633,483	S *	3/2011	Su et al.	.....	D14/230
7,961,154	B2 *	6/2011	Qi et al.	.....	343/803

7,965,239	B2 *	6/2011	Yang et al.	.....	343/700 MS
D650,370	S *	12/2011	Huang et al.	.....	D14/230
D659,129	S *	5/2012	Mi et al.	.....	D14/230
D659,687	S *	5/2012	Yang et al.	.....	D14/230
2009/0027275	A1 *	1/2009	Su et al.	.....	343/700 MS
2010/0079350	A1 *	4/2010	Lai et al.	.....	343/843
2010/0134358	A1 *	6/2010	Su et al.	.....	343/700 MS
2010/0149043	A1 *	6/2010	Tsai et al.	.....	343/700 MS
2010/0328182	A1 *	12/2010	Wong et al.	.....	343/848
2012/0169546	A1 *	7/2012	Kwak et al.	.....	343/700 MS
2012/0176273	A1 *	7/2012	Yu et al.	.....	343/700 MS
2012/0188141	A1 *	7/2012	Islam	.....	343/860

\* cited by examiner

*Primary Examiner* — John Windmuller

(74) *Attorney, Agent, or Firm* — Lin & Associates IP, Inc.

(57) **CLAIM**

The ornamental design for a multi-band antenna, as shown and described.

**DESCRIPTION**

FIG. 1 is a perspective view of a multi-band antenna showing our new design;

FIG. 2 is a front elevational view thereof;

FIG. 3 is a rear elevational view thereof;

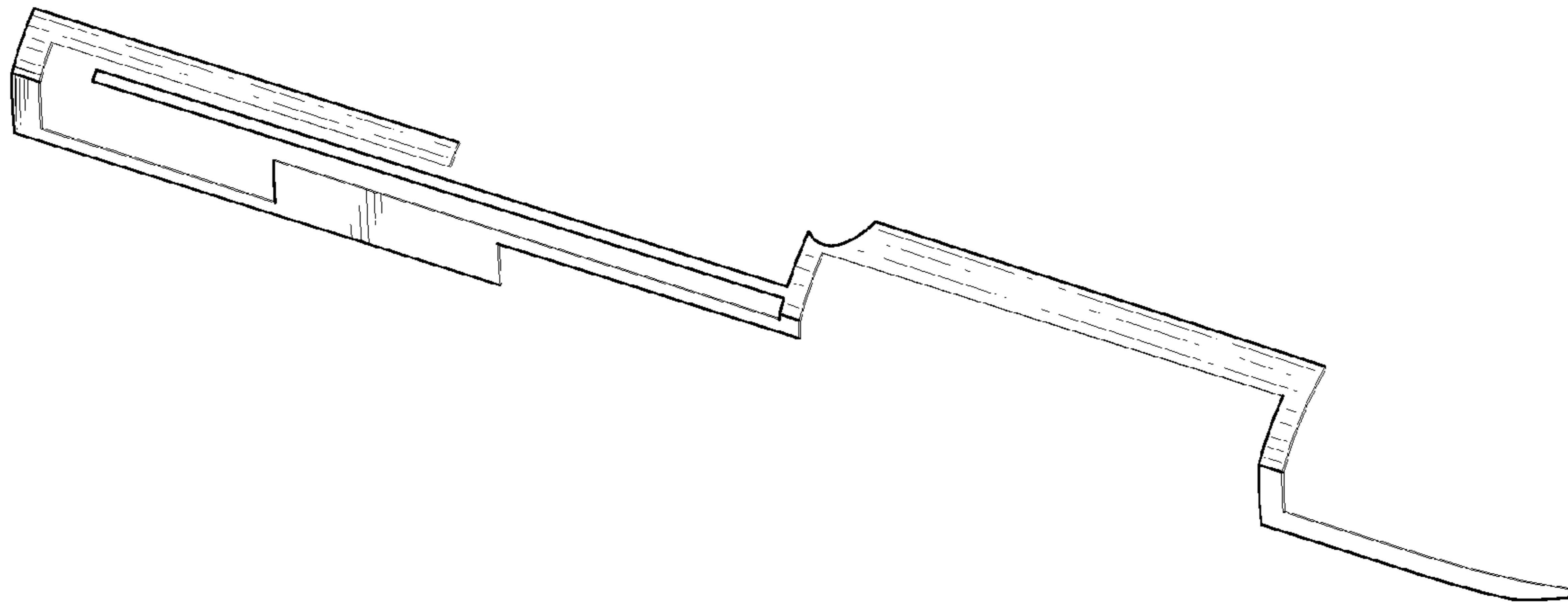
FIG. 4 is a left side elevational view thereof;

FIG. 5 is a right side elevational view thereof;

FIG. 6 is a top plan view thereof; and,

FIG. 7 is a bottom plan view thereof.

**1 Claim, 7 Drawing Sheets**



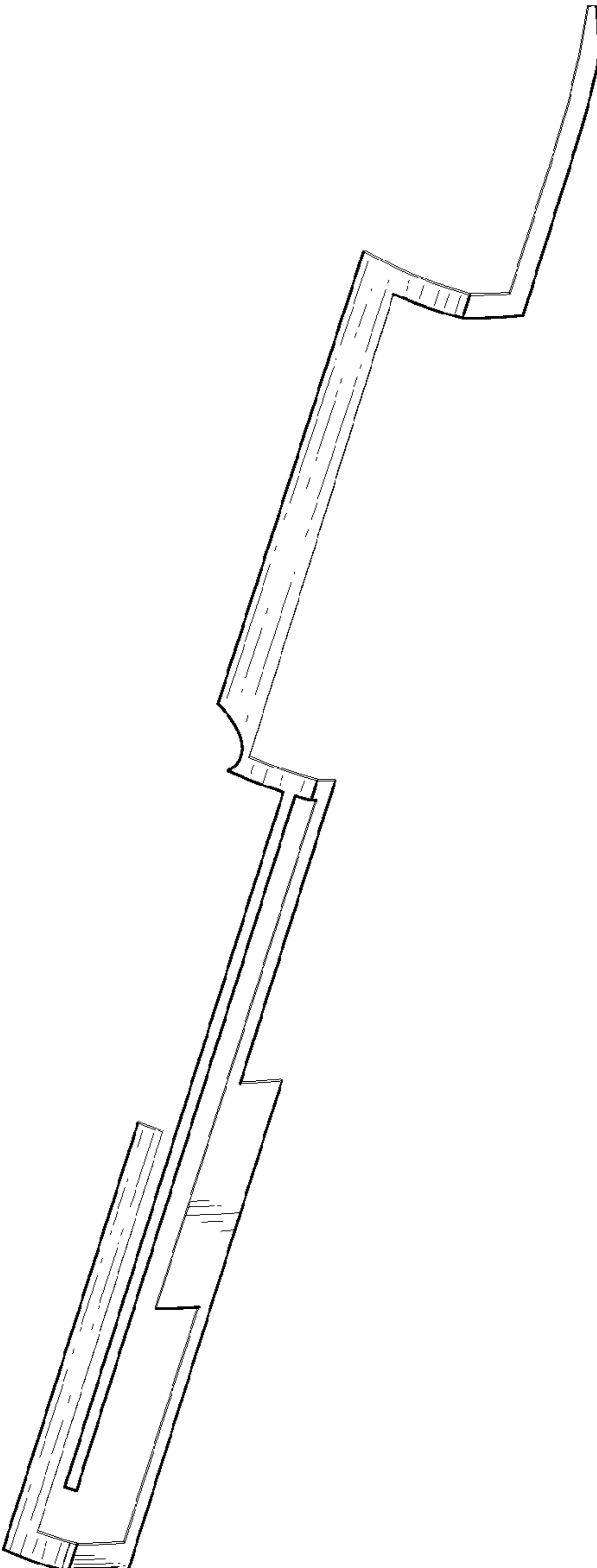


FIG. 1

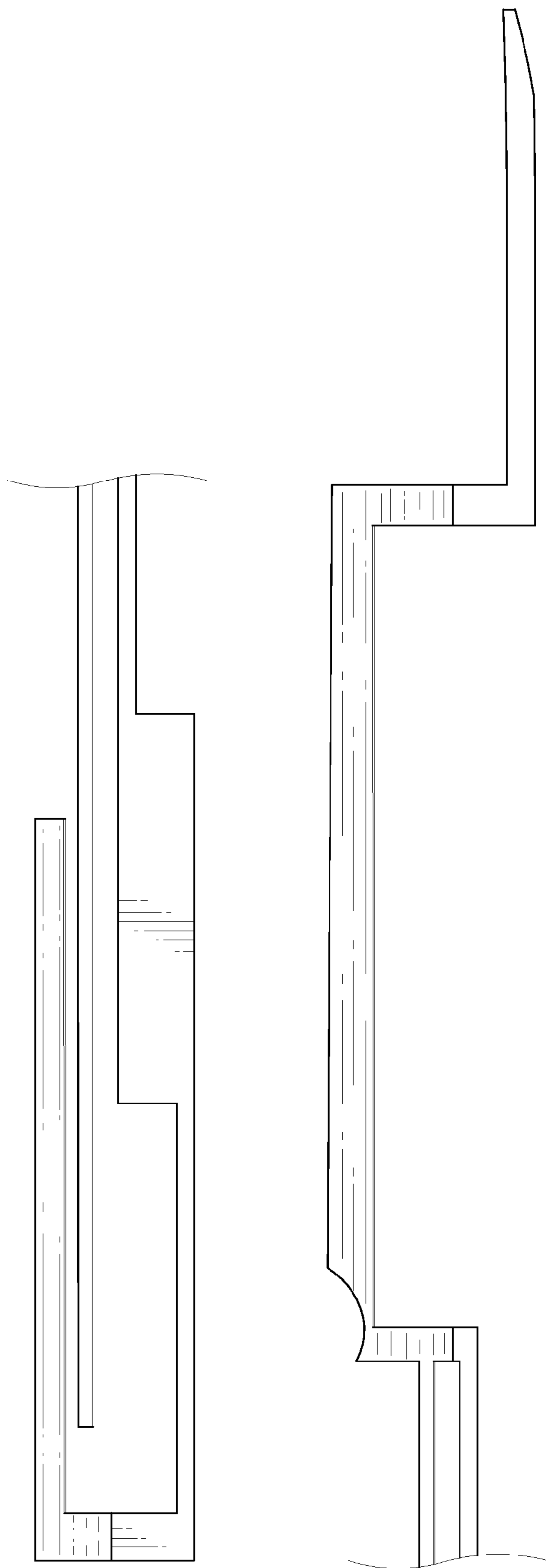


FIG. 2

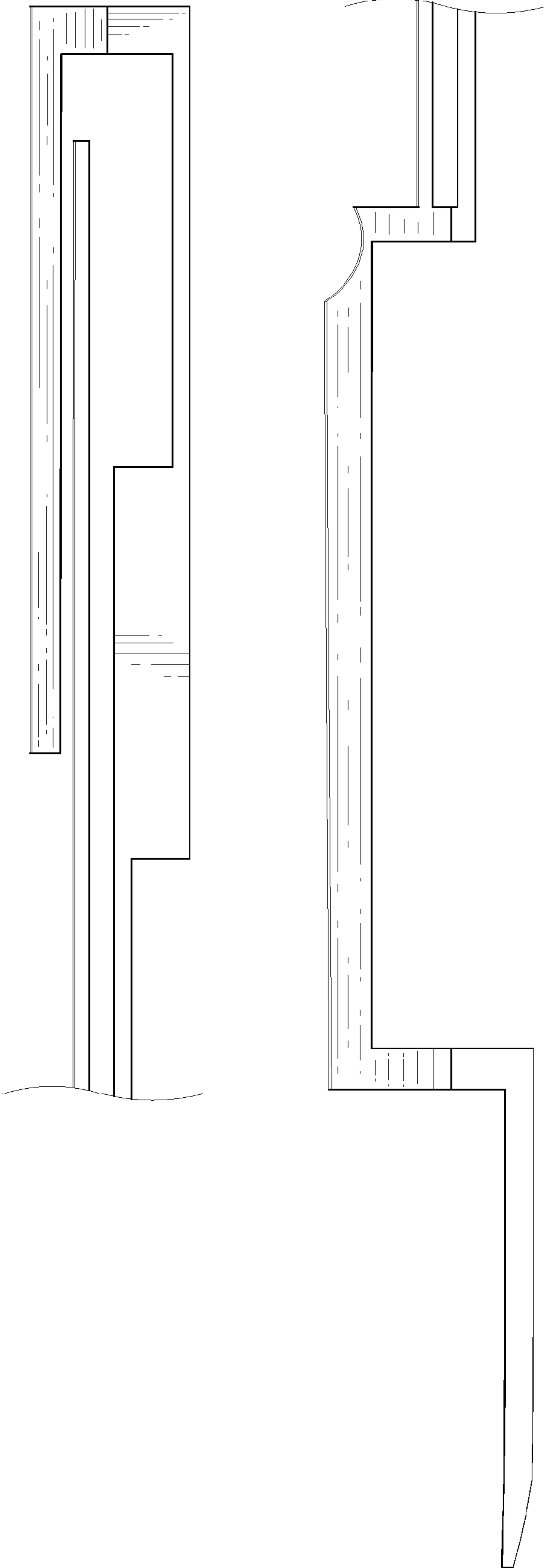


FIG. 3



FIG. 4



FIG. 5

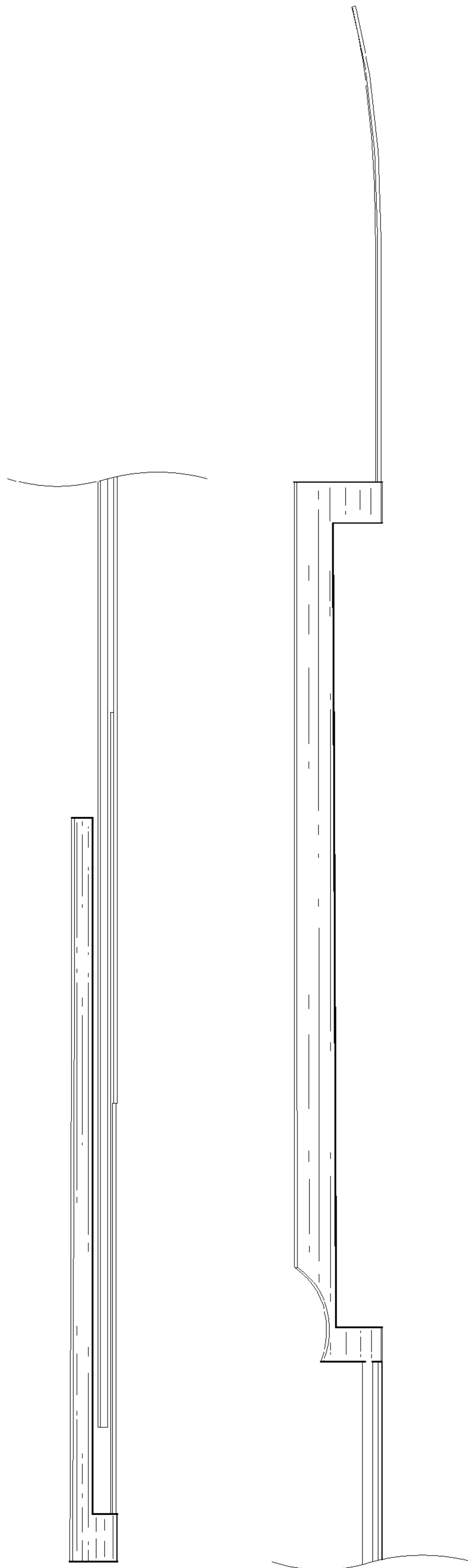


FIG. 6

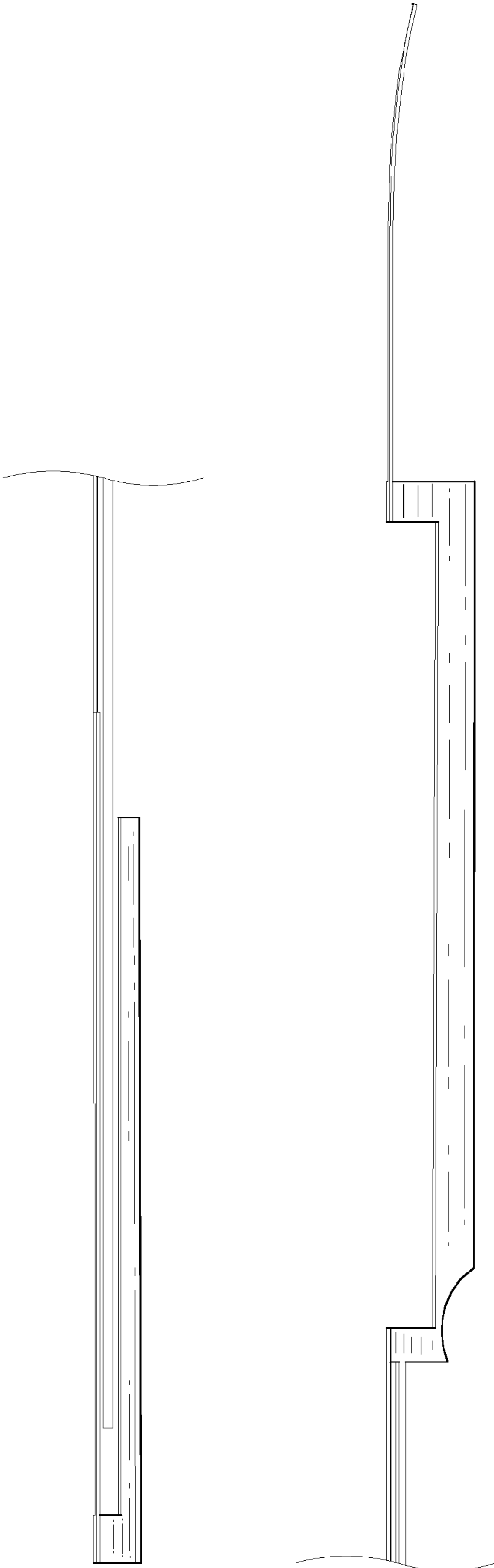


FIG. 7