



US00D675194S

(12) **United States Design Patent**
Andre et al.

(10) **Patent No.:** **US D675,194 S**
(45) **Date of Patent:** **** Jan. 29, 2013**

(54) **EARPHONE**

(75) Inventors: **Bartley K. Andre**, Menlo Park, CA (US); **Daniel J. Coster**, San Francisco, CA (US); **Daniele De Iuliis**, San Francisco, CA (US); **Richard P. Howarth**, San Francisco, CA (US); **Jonathan P. Ive**, San Francisco, CA (US); **Duncan Robert Kerr**, San Francisco, CA (US); **Shin Nishibori**, Kailua, HI (US); **Matthew Dean Rohrbach**, San Francisco, CA (US); **Peter Russell-Clarke**, San Francisco, CA (US); **Douglas B. Satzger**, Menlo Park, CA (US); **Christopher J. Stringer**, Woodside, CA (US); **Eugene Antony Whang**, San Francisco, CA (US); **Rico Zörkendörfer**, San Francisco, CA (US)

(73) Assignee: **Apple Inc.**, Cupertino, CA (US)
(**) Term: **14 Years**
(21) Appl. No.: **29/425,328**
(22) Filed: **Jun. 21, 2012**

Related U.S. Application Data

(60) Continuation of application No. 29/410,849, filed on Jan. 12, 2012, now Pat. No. Des. 662,495, which is a
(Continued)
(51) **LOC (9) Cl.** **14-01**
(52) **U.S. Cl.** **D14/223**; D14/205
(58) **Field of Classification Search** D14/205,
D14/206, 223; 181/129, 130, 135; 379/430,
379/431, 420.04; 381/380, 381, 328; 455/90.1,
455/575.2; 128/864, 865, 866
See application file for complete search history.

(56) **References Cited**

U.S. PATENT DOCUMENTS

849,164 A 4/1907 Roede
(Continued)

FOREIGN PATENT DOCUMENTS

JP 1303326 6/2007
(Continued)

OTHER PUBLICATIONS

“Skullcandy INK'D Earbuds (Black)”, Feb. 16, 2006, <http://www.amazon.com/Skull-Candy-S2INBT-FZ-Skullcandy-Earbuds/dp/B000Q74102.htm>.

(Continued)

Primary Examiner — Paula Greene

(74) *Attorney, Agent, or Firm* — Sterne, Kessler, Goldstein & Fox P.L.L.C.

(57) **CLAIM**

The ornamental design for an earphone, as shown and described.

DESCRIPTION

This application is also related to U.S. application Ser. No. 29/336,806, filed May 8, 2009, now U.S. Design Pat. No. D618,209, which is a divisional application of U.S. Design application Ser. No. 29/324,197, filed Sep. 8, 2008, now U.S. Design Pat. No. D599,330, which is a continuation of U.S. Design application Ser. No. 29/324,132, filed Sep. 5, 2008, now U.S. Design Pat. No. D596,616. The disclosures of these applications are incorporated herein in their entirety by reference thereto.

FIG. 1 is a front perspective view of an earphone showing our new design;

FIG. 2 is a rear perspective view thereof;

FIG. 3 is front view thereof;

FIG. 4 is a rear view thereof;

FIG. 5 is a right side view thereof

FIG. 6 is a left side view thereof;

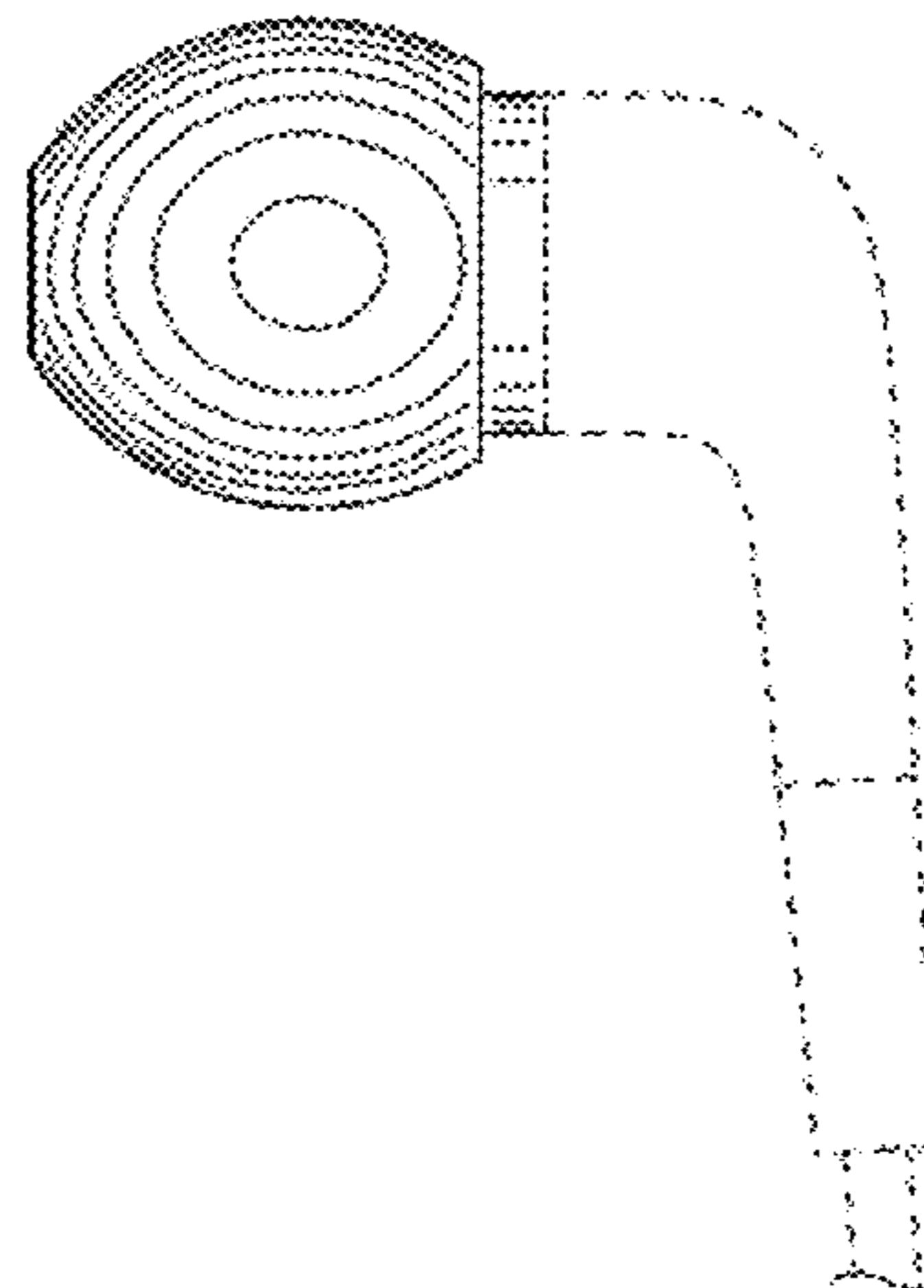
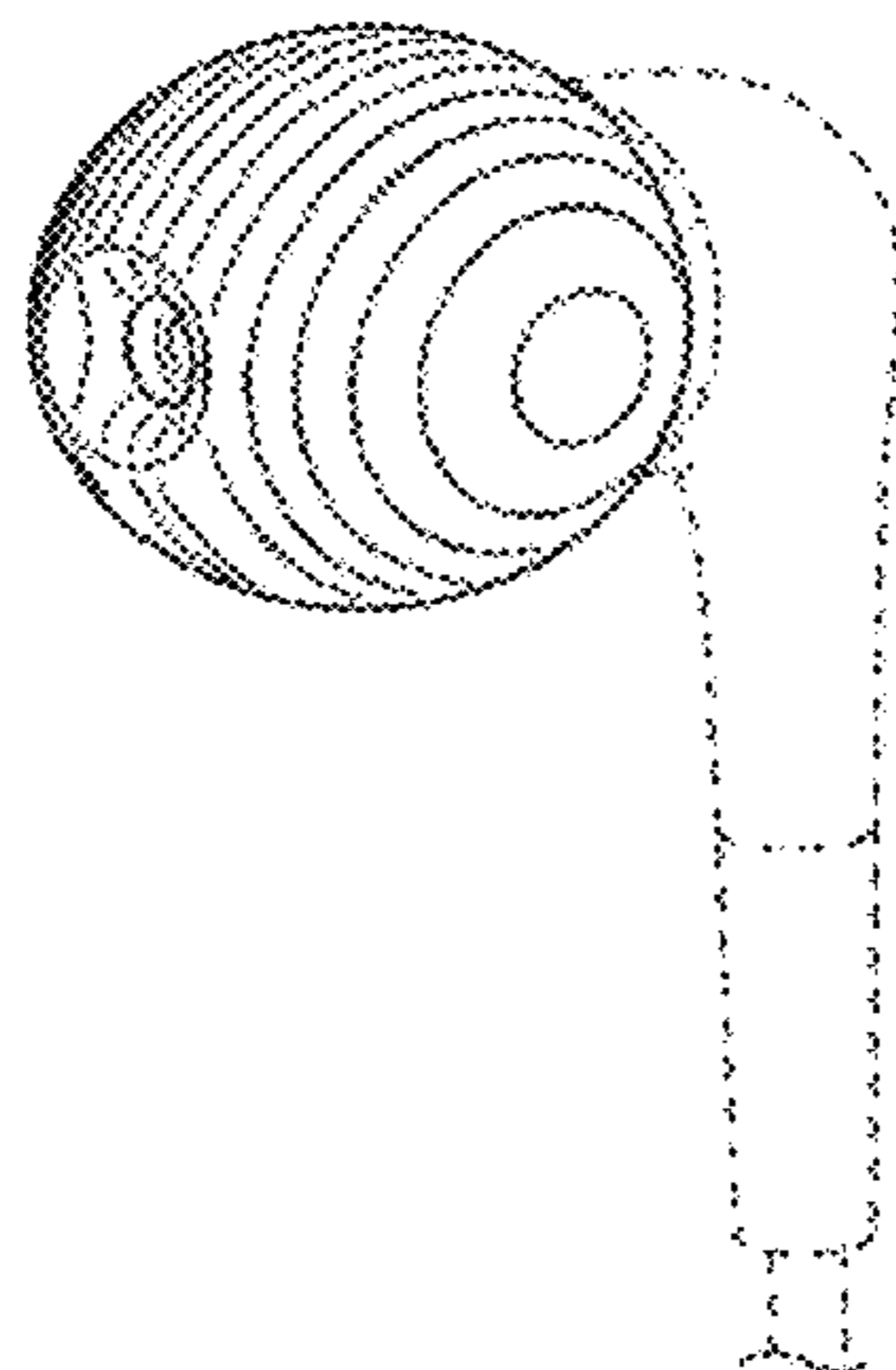
FIG. 7 is a top plan view thereof; and,

FIG. 8 is a bottom plan view thereof.

The shade lines in the Figures show contour and not surface ornamentation.

The broken lines in the Figures show portions of the earphones which form no part of the claimed design. The dot-dash lines in the Figures show an unclaimed boundary which forms no part of the claimed design.

1 Claim, 2 Drawing Sheets



Related U.S. Application Data

continuation of application No. 29/391,833, filed on May 13, 2011, now Pat. No. Des. 653,236, which is a continuation of application No. 29/362,081, filed on May 19, 2010, now Pat. No. Des. 639,279, which is a continuation of application No. 29/336,808, filed on May 8, 2009, now Pat. No. Des. 618,210, which is a division of application No. 29/324,132, filed on Sep. 5, 2008, now Pat. No. Des. 596,616.

(56)

References Cited

U.S. PATENT DOCUMENTS

874,092	A	12/1907	Liverpool
946,779	A	1/1910	Hubbell
1,206,584	A	11/1916	Palmer
1,327,925	A	1/1920	Schneider
1,525,005	A	2/1925	Sherman
1,775,204	A	9/1930	Lucarelle
2,246,737	A	6/1941	Knudsen
2,487,038	A	11/1949	Baum
2,498,960	A	2/1950	Mullin
D171,613	S	3/1954	O'Neil
2,714,269	A	8/1955	Charles
2,719,523	A	10/1955	Von Gierke
2,780,681	A	2/1957	Shaper
3,066,501	A	12/1962	Charles et al.
3,123,069	A *	3/1964	Laisne et al. 128/865
D215,217	S	9/1969	Noyes
D245,202	S	7/1977	Asker
4,122,841	A	10/1978	Rock et al.
4,253,453	A	3/1981	Hay
D259,279	S	5/1981	Takeda
4,311,149	A	1/1982	Panucci
4,314,553	A	2/1982	Westerdal
4,456,795	A	6/1984	Saito
D278,234	S	4/1985	Saito
4,588,867	A	5/1986	Konomi
4,646,872	A	3/1987	Kamon et al.
4,736,430	A	4/1988	Schroder
4,736,435	A	4/1988	Yokoyama et al.
D298,356	S	11/1988	Falco
4,936,411	A	6/1990	Leonard
4,942,617	A	7/1990	Boylan
D311,007	S	10/1990	Daido
D316,550	S	4/1991	Sogabe
D318,670	S	7/1991	Taniguchi
D318,864	S	8/1991	Daido et al.
D318,865	S	8/1991	Ichikawa
D330,761	S	11/1992	Falco
D331,966	S	12/1992	Gardner, Jr.
5,188,123	A	2/1993	Gardner, Jr.
D334,043	S	3/1993	Taniguchi et al.
D337,118	S	7/1993	Seikita
5,288,953	A	2/1994	Peart
5,438,626	A	8/1995	Neuman et al.
5,781,638	A	7/1998	Hosaka et al.
5,792,998	A	8/1998	Gardner et al.
D402,752	S	12/1998	Falco
5,957,136	A	9/1999	Magidson et al.
5,979,589	A	11/1999	Aceti
5,991,422	A	11/1999	Chiang
6,056,082	A	5/2000	Lindgren et al.
D427,304	S	6/2000	Magidson et al.
6,105,714	A	8/2000	Lindgren
6,123,168	A	9/2000	Berg et al.
D431,553	S	10/2000	Suzuki
6,253,871	B1	7/2001	Aceti
6,289,559	B1	9/2001	Langer
6,292,572	B1	9/2001	Yoest et al.

6,349,568	B1	2/2002	Ito
D456,901	S	5/2002	Dudziak
D469,753	S	2/2003	Andre et al.
D485,548	S	1/2004	Obata
D487,077	S	2/2004	Obata
6,738,487	B1	5/2004	Nageno et al.
D506,744	S	6/2005	Andre et al.
D514,094	S	1/2006	Griffin
D515,070	S	2/2006	Andre et al.
D516,058	S	2/2006	Garcia
D524,938	S	7/2006	Schreiber
7,082,206	B2	7/2006	Mahoney et al.
7,092,543	B1	8/2006	Mahoney et al.
D535,644	S	1/2007	Drambarean et al.
D539,268	S	3/2007	Suzuki
D542,782	S	5/2007	Pena Angarita
7,221,768	B2	5/2007	Sjursen et al.
D550,657	S	9/2007	Gan et al.
D554,109	S	10/2007	Ledbetter et al.
D554,627	S	11/2007	Gondo
D555,152	S	11/2007	Wang
D557,689	S	12/2007	Huang
D559,836	S	1/2008	Lee
D564,495	S	3/2008	Sasaki
D566,687	S	4/2008	Duarte et al.
D567,217	S	4/2008	Kamo et al.
D568,291	S	5/2008	Andre et al.
D569,841	S *	5/2008	Chung et al. D14/205
D572,703	S *	7/2008	Ledbetter et al. D14/205
D573,977	S	7/2008	Ledbetter et al.
D573,978	S	7/2008	Ledbetter et al.
D575,269	S	8/2008	Ledbetter et al.
D576,154	S	9/2008	Ledbetter et al.
D578,518	S	10/2008	Ewert
D579,005	S *	10/2008	Wilhelmsen D14/223
D579,444	S *	10/2008	Ewert et al. D14/223
D579,923	S	11/2008	Andre et al.
D580,414	S	11/2008	Chapman
D586,332	S *	2/2009	Ewert et al. D14/223
D587,247	S	2/2009	Densho
D587,677	S	3/2009	Andre et al.
D587,685	S *	3/2009	Densho D14/206
D589,491	S	3/2009	Andre et al.
D589,493	S	3/2009	Densho
D591,721	S	5/2009	Densho
D594,441	S	6/2009	Lee et al.
D595,270	S	6/2009	Andre et al.
D596,616	S *	7/2009	Andre et al. D14/205
D598,894	S *	8/2009	Masuda et al. D14/205
D599,330	S *	9/2009	Andre et al. D14/223
D599,778	S *	9/2009	Ando D14/205
D614,172	S *	4/2010	Brennwald D14/223
D615,070	S	5/2010	Andre et al.
D618,209	S	6/2010	Andre et al.
D618,210	S *	6/2010	Andre et al. D14/205
D628,564	S *	12/2010	Chong et al. D14/223
D639,279	S *	6/2011	Andre et al. D14/223
D641,738	S *	7/2011	Perez D14/223
8,032,191	B2 *	10/2011	Yang 455/575.2
D653,236	S *	1/2012	Andre et al. D14/205
D662,495	S *	6/2012	Andre et al. D14/223
8,201,561	B2 *	6/2012	Blanchard 128/864

FOREIGN PATENT DOCUMENTS

JP	1304623	6/2007
JP	1337825	8/2008
TW	123531	7/2008

OTHER PUBLICATIONS

HC17065312, Acoustic Instrument Catalogue 2005, 4th Edition, Received by JPO on Jan. 27, 2006, p. 72.

* cited by examiner

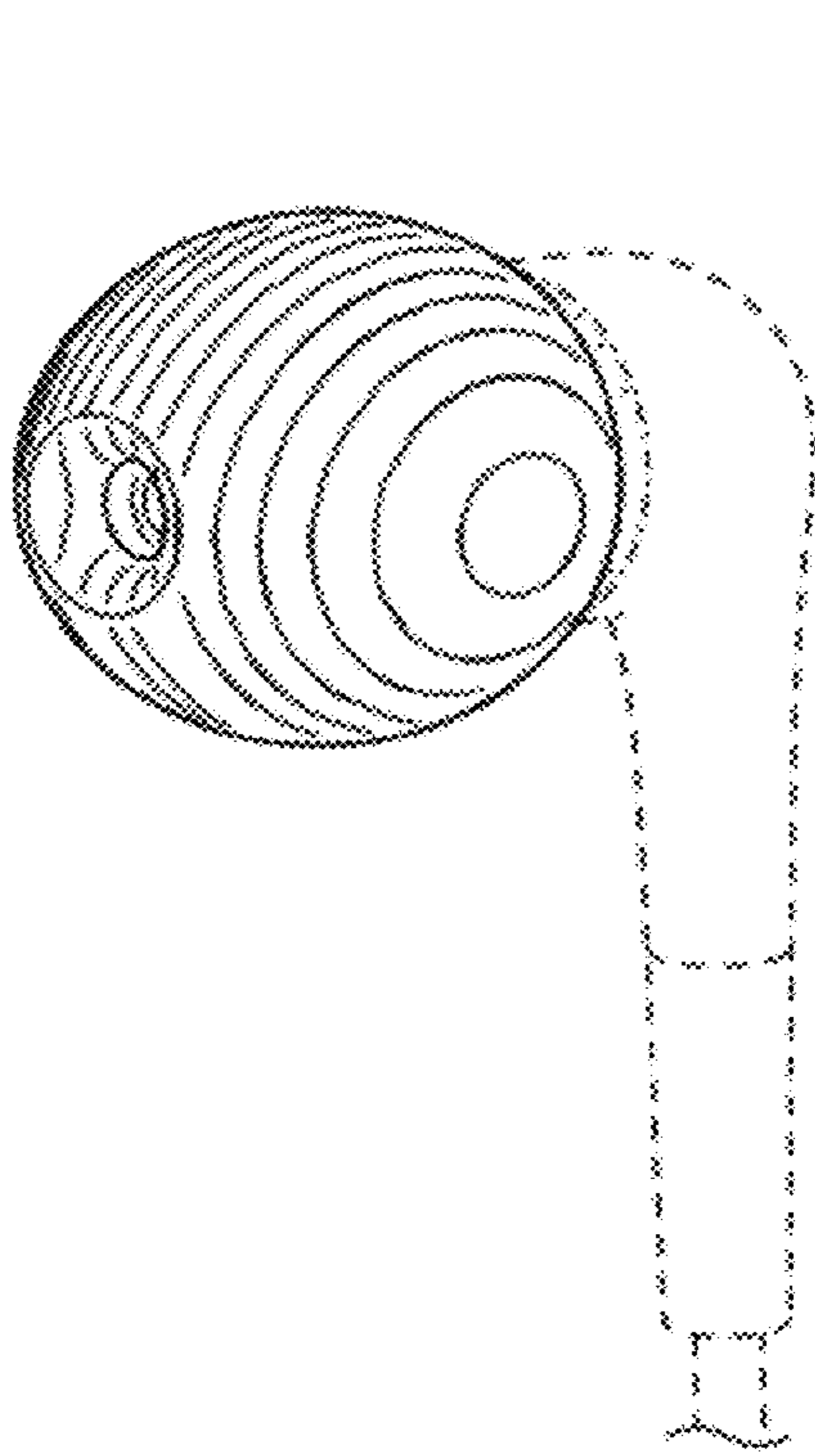


FIG. 1

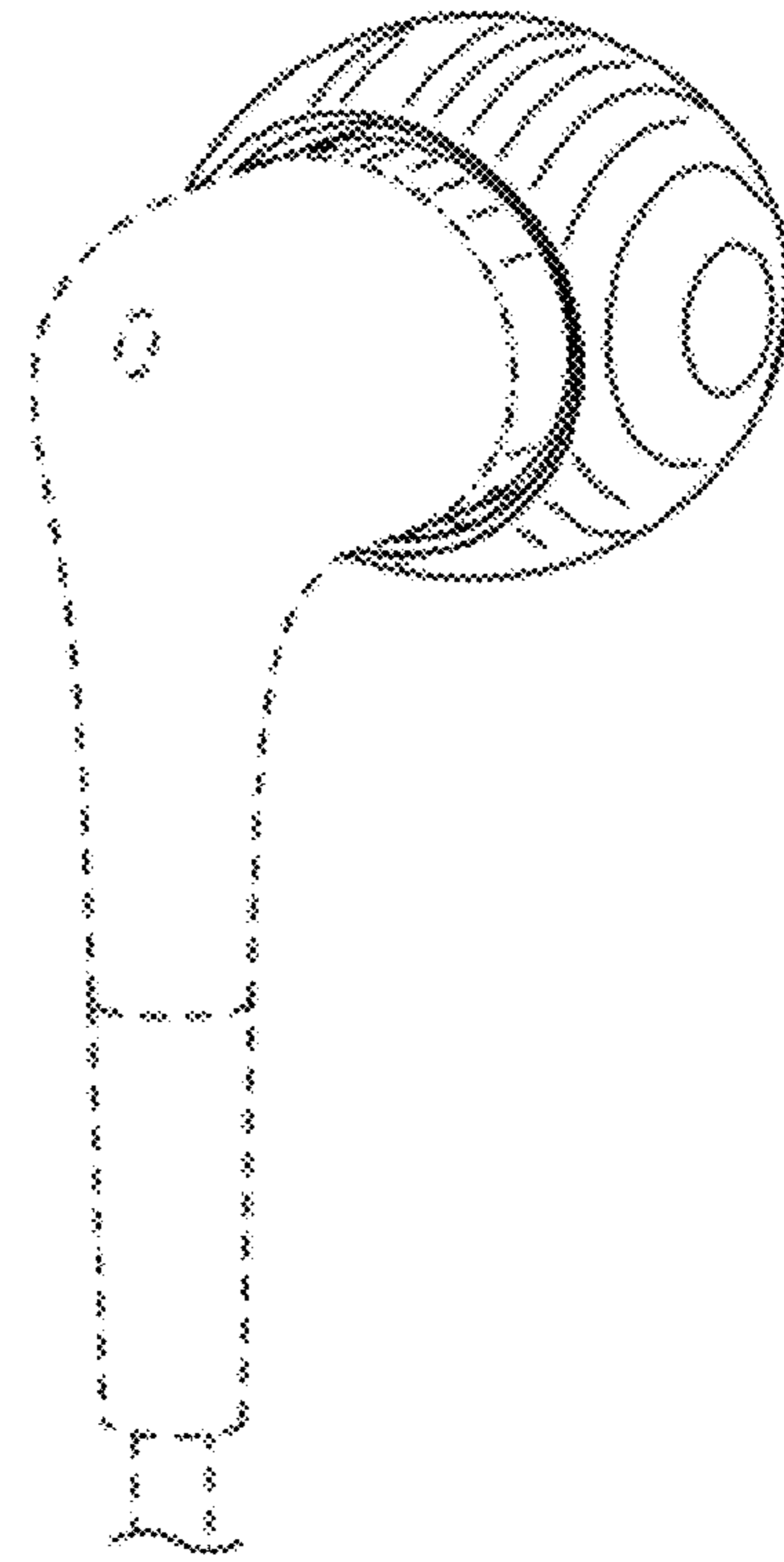


FIG. 2

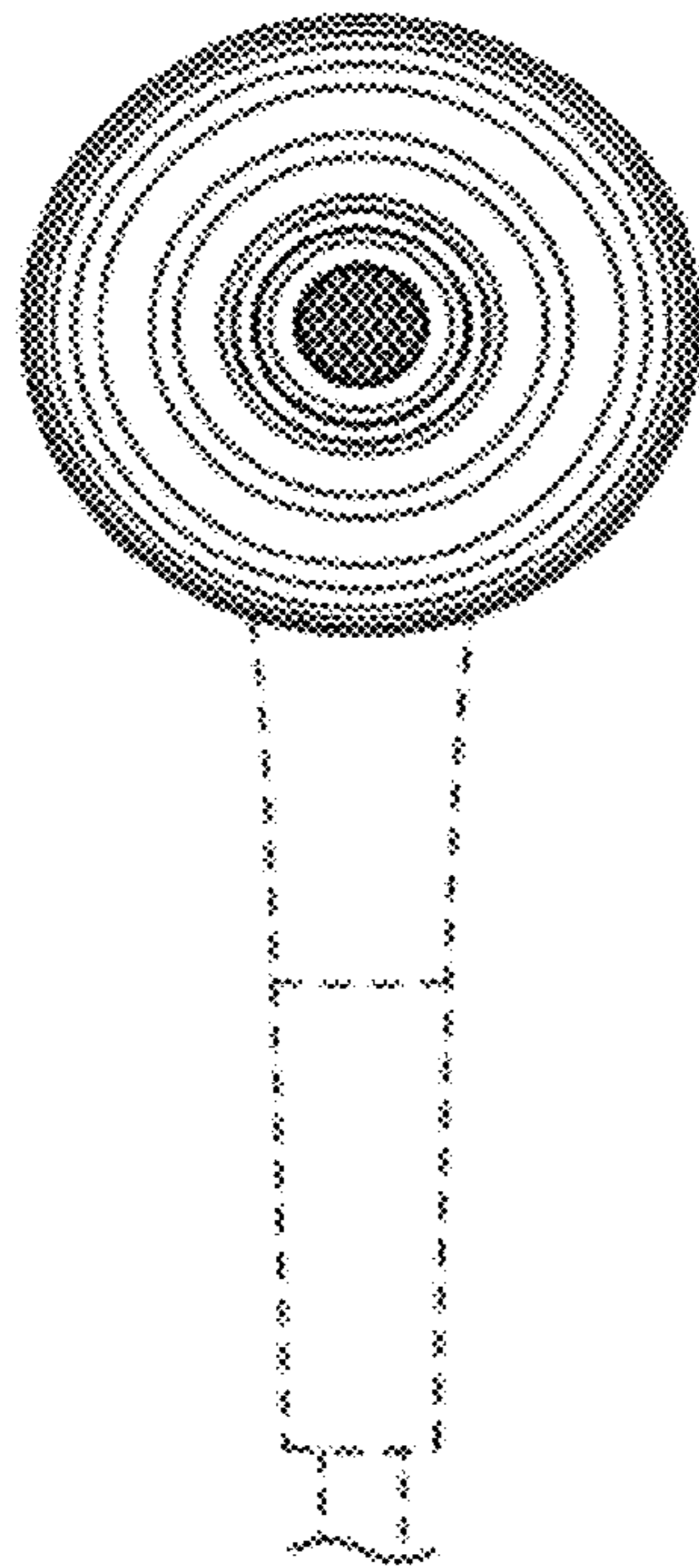


FIG. 3

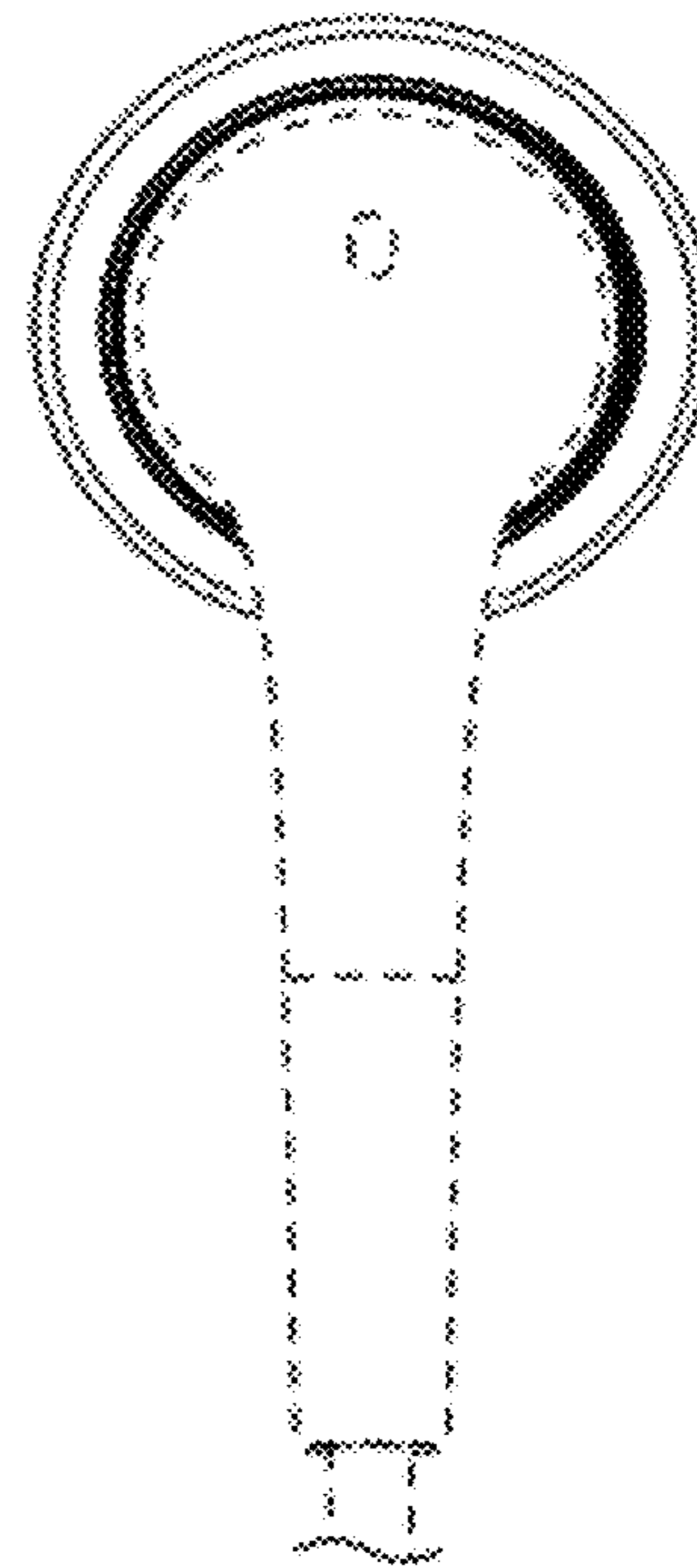


FIG. 4

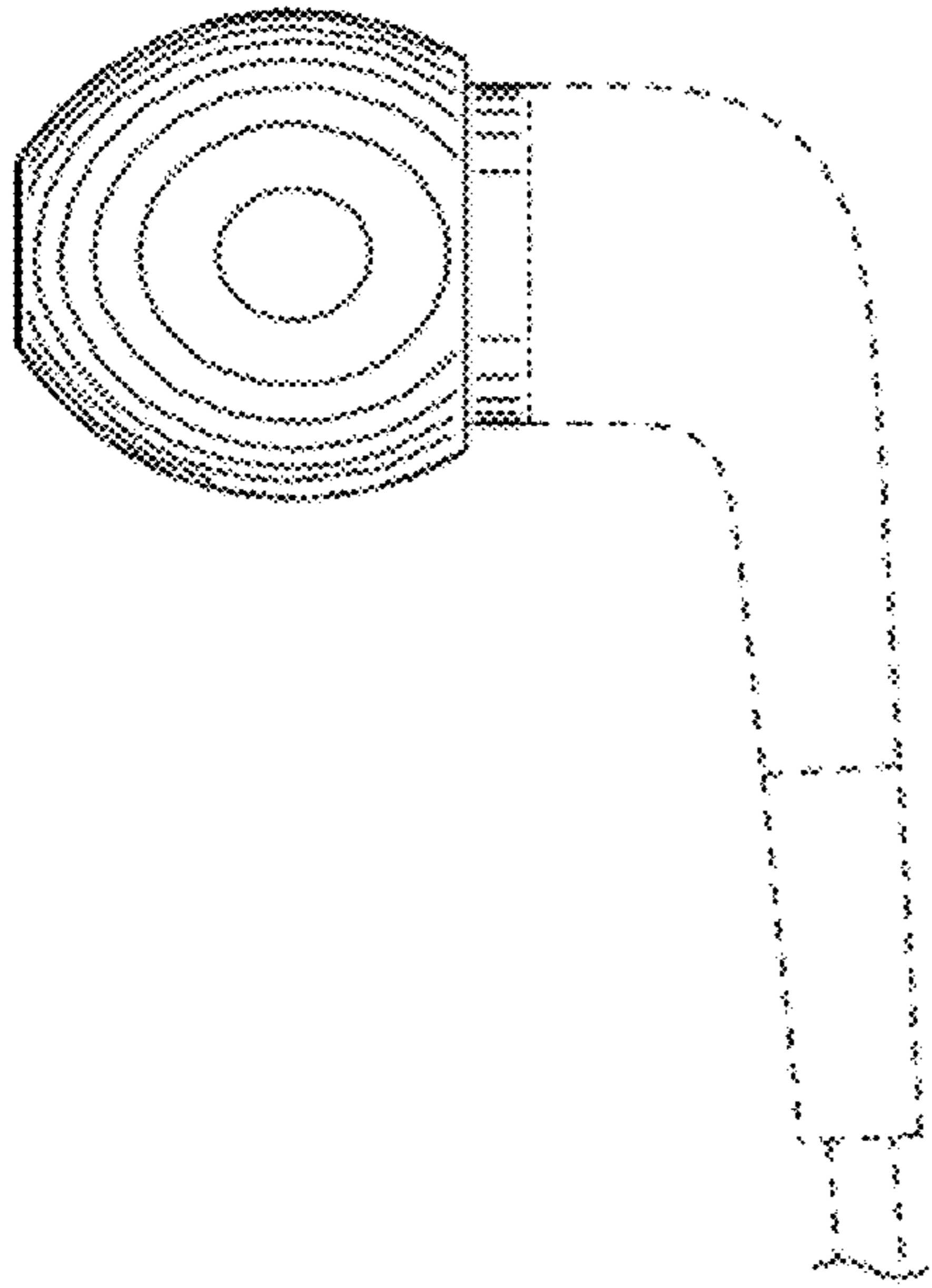


FIG. 5

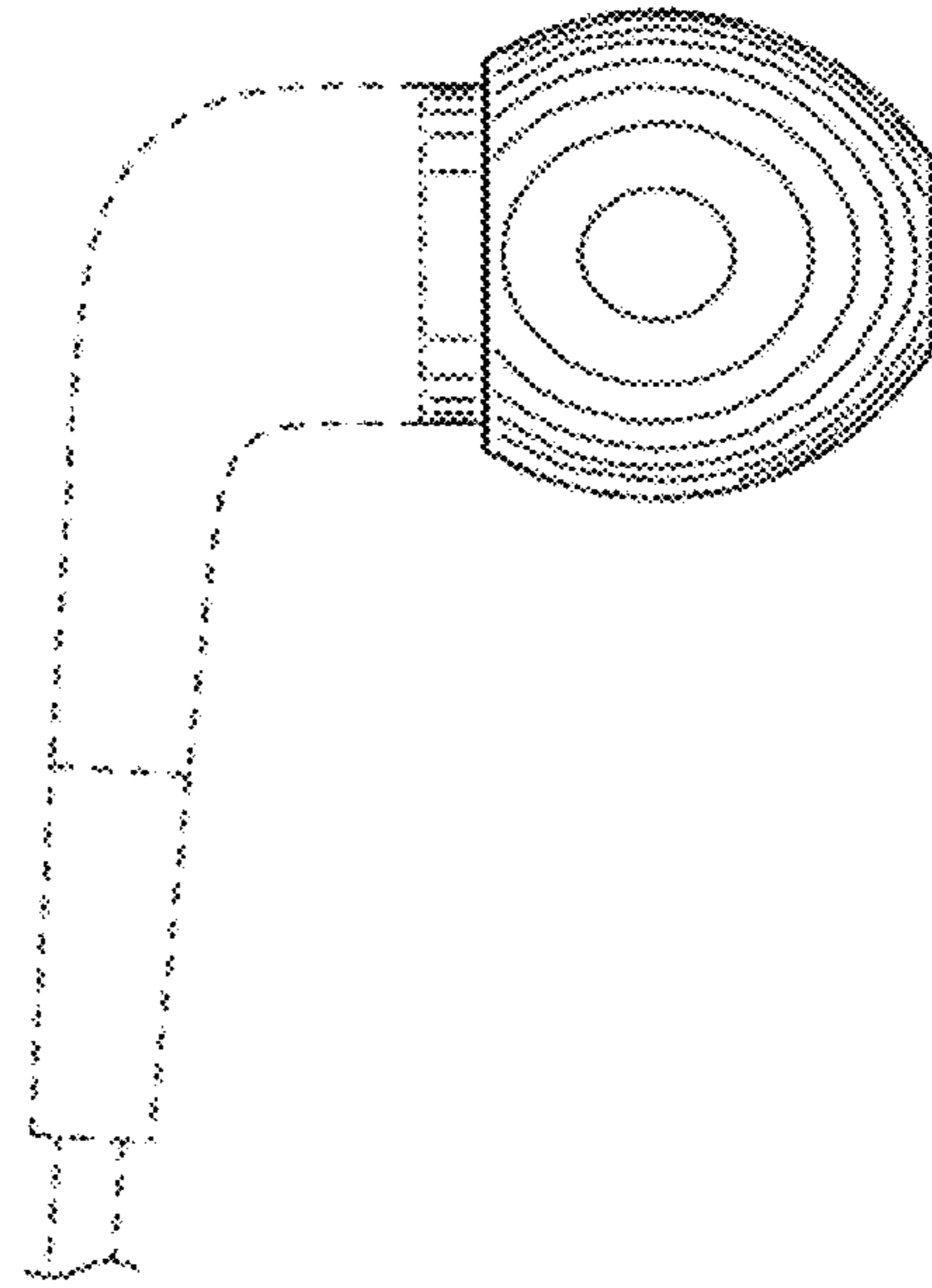


FIG. 6

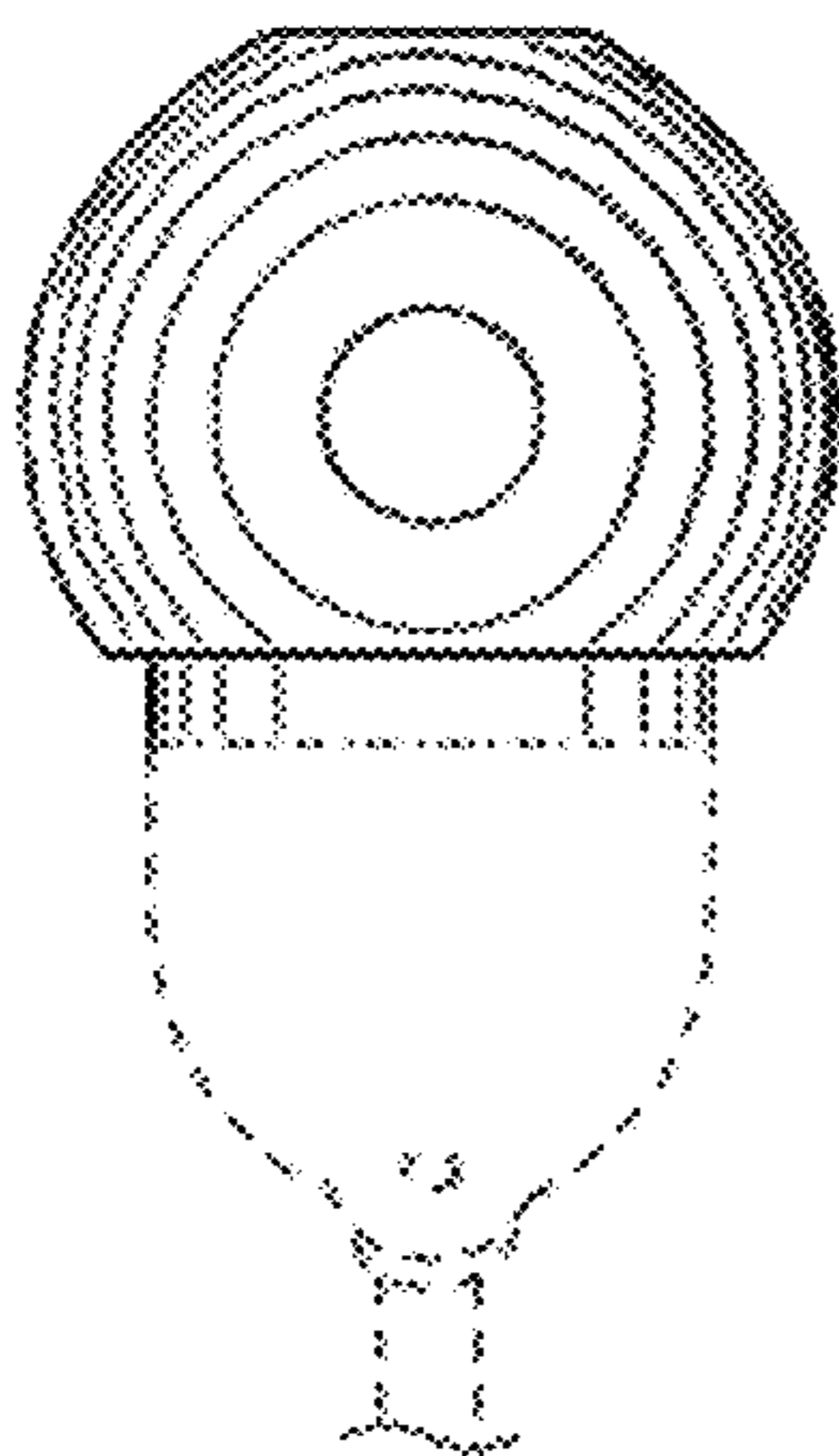


FIG. 7

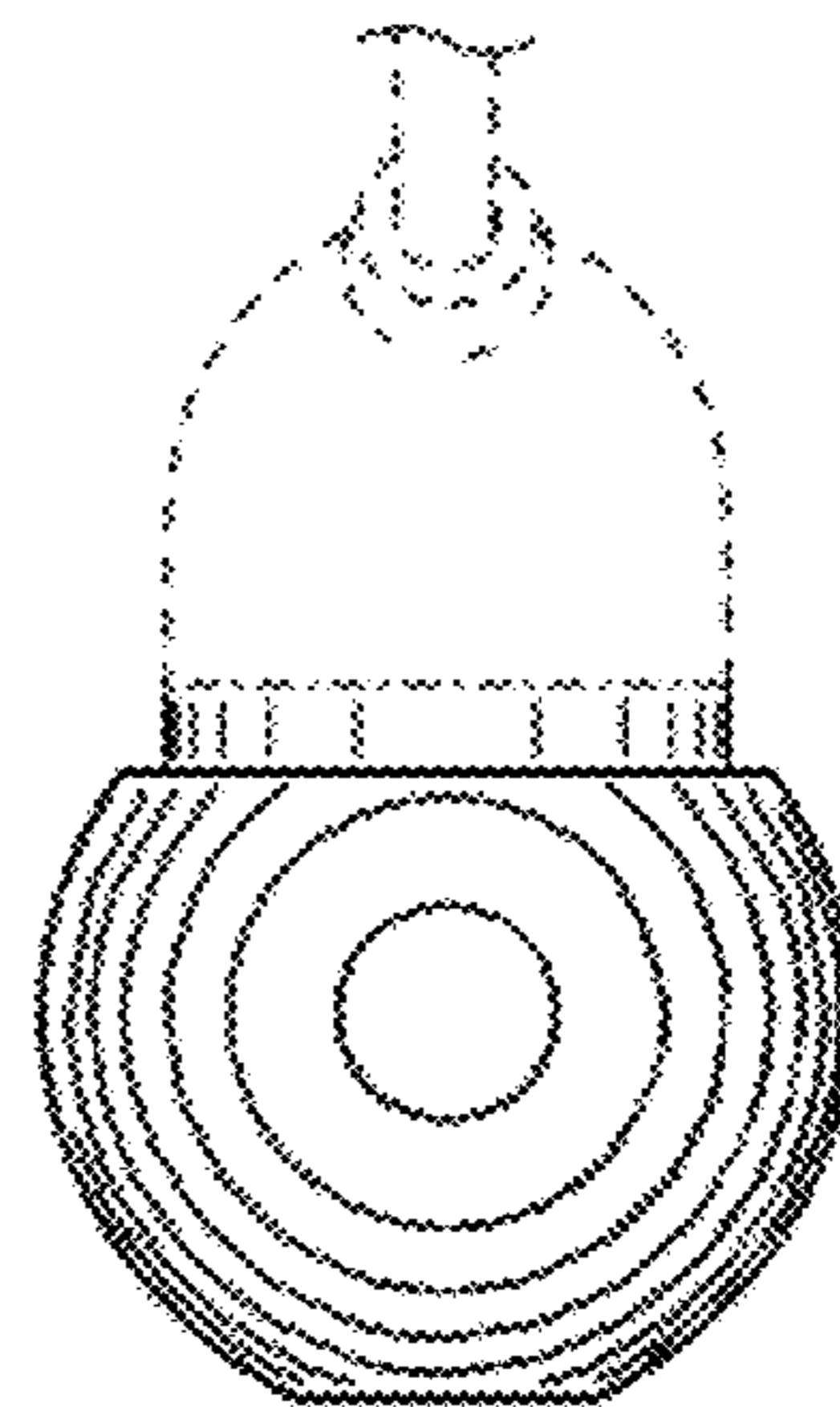


FIG. 8