



US00D675193S

(12) **United States Design Patent**
Yan et al.

(10) **Patent No.:** **US D675,193 S**
(45) **Date of Patent:** **** Jan. 29, 2013**

- (54) **SPEAKER**
- (75) Inventors: **Qifeng Yan**, Shenzhen (CN); **Ming Lei**, Shenzhen (CN)
- (73) Assignee: **Nokia Corporation** (FI)
- (**) Term: **14 Years**
- (21) Appl. No.: **29/394,756**
- (22) Filed: **Jun. 21, 2011**
- (51) **LOC (9) Cl.** **14-01**
- (52) **U.S. Cl.** **D14/216**
- (58) **Field of Classification Search** D14/204, D14/210–216, 172; 181/143–144, 147–148, 181/150–153, 157, 198–199; 381/300–303, 381/306, 332–333, 336, 345, 361–364, 386–388
See application file for complete search history.

D491,167 S *	6/2004	Yokoyama	D14/215
D500,025 S *	12/2004	Vincenot et al.	D14/215
D504,415 S *	4/2005	Lum	D14/216
D542,776 S *	5/2007	Dayan	D14/215
D590,373 S	4/2009	Brickstad		
D596,623 S	7/2009	Laine		
D610,134 S	2/2010	Gotzen		

* cited by examiner

Primary Examiner — Prabhakar Deshmukh
(74) *Attorney, Agent, or Firm* — Banner & Witcoff, Ltd.

(57) **CLAIM**
The ornamental design for a speaker, as shown and described.

DESCRIPTION

FIG. 1 is a perspective view of a speaker showing our new design;
 FIG. 2 is a front view thereof;
 FIG. 3 is a rear view thereof;
 FIG. 4 is a left side view thereof;
 FIG. 5 is a right side view thereof;
 FIG. 6 is a top view thereof; and,
 FIG. 7 is a bottom view thereof.

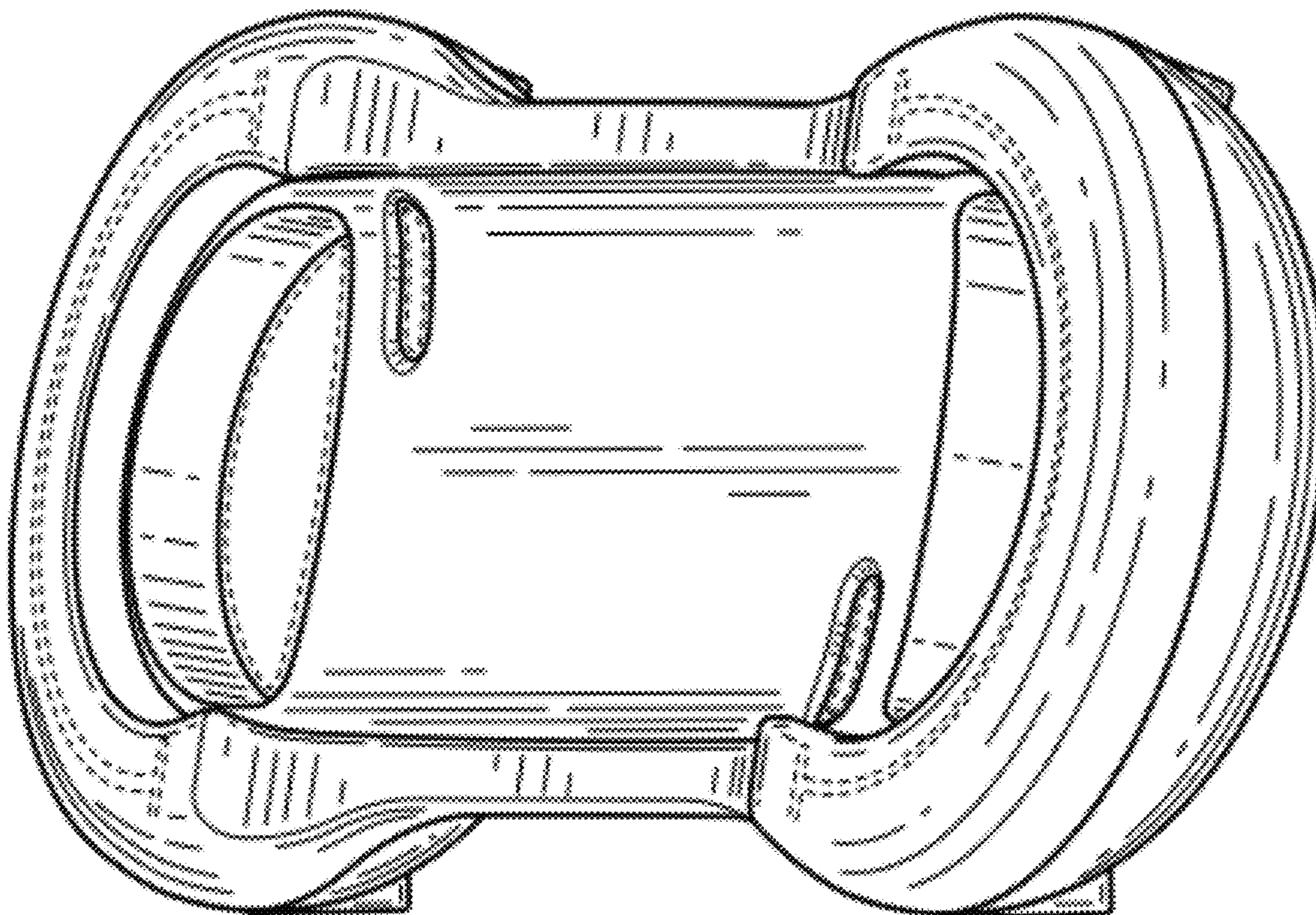
The broken lines of the speaker in FIGS. 1-7 and the unshaded regions therein are for illustrative purposes only and form no part of the claimed design.

(56) **References Cited**

U.S. PATENT DOCUMENTS

5,546,468 A *	8/1996	Beard	381/86
5,608,806 A *	3/1997	Hinojosa	381/86
5,979,590 A *	11/1999	Telmos	181/141
D469,421 S *	1/2003	Stickles et al.	D14/204
D483,349 S *	12/2003	Murakami	D14/215

1 Claim, 4 Drawing Sheets



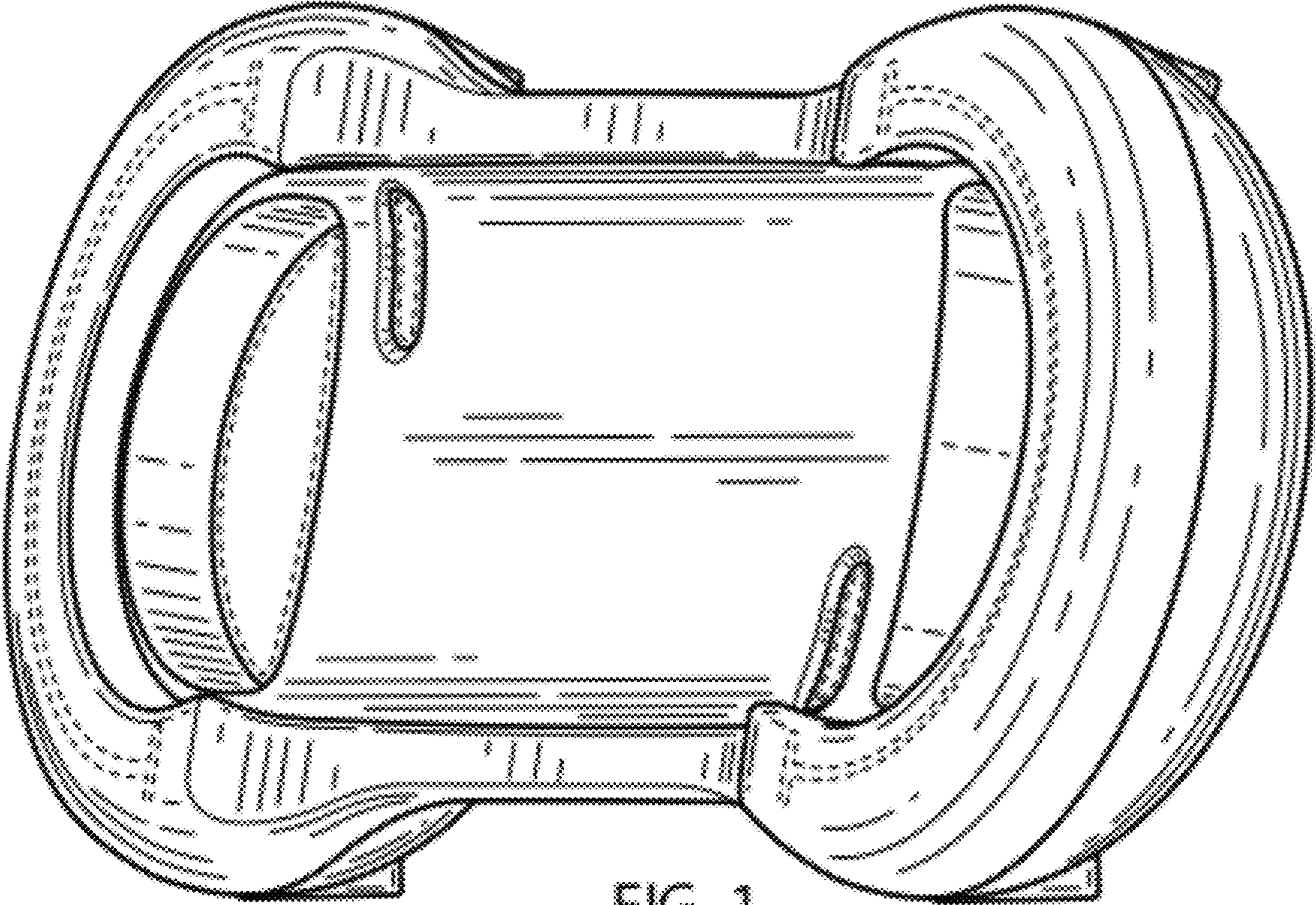


FIG. 1

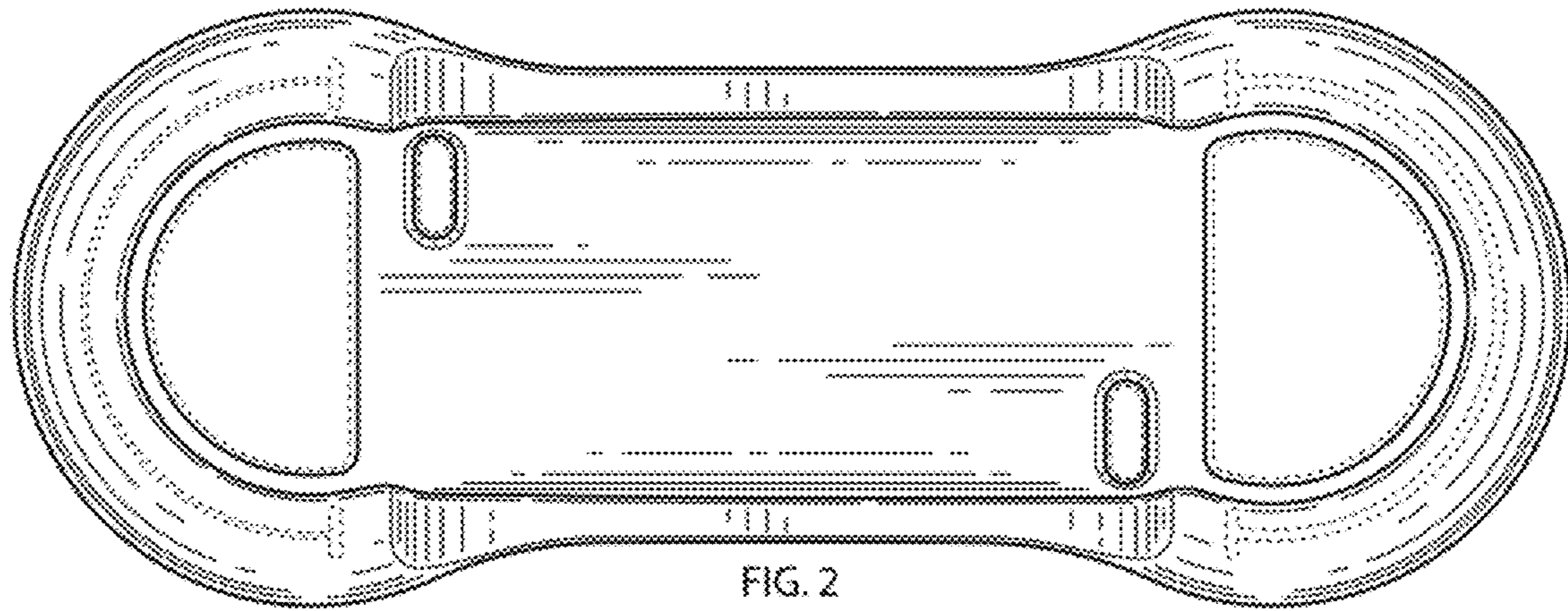


FIG. 2

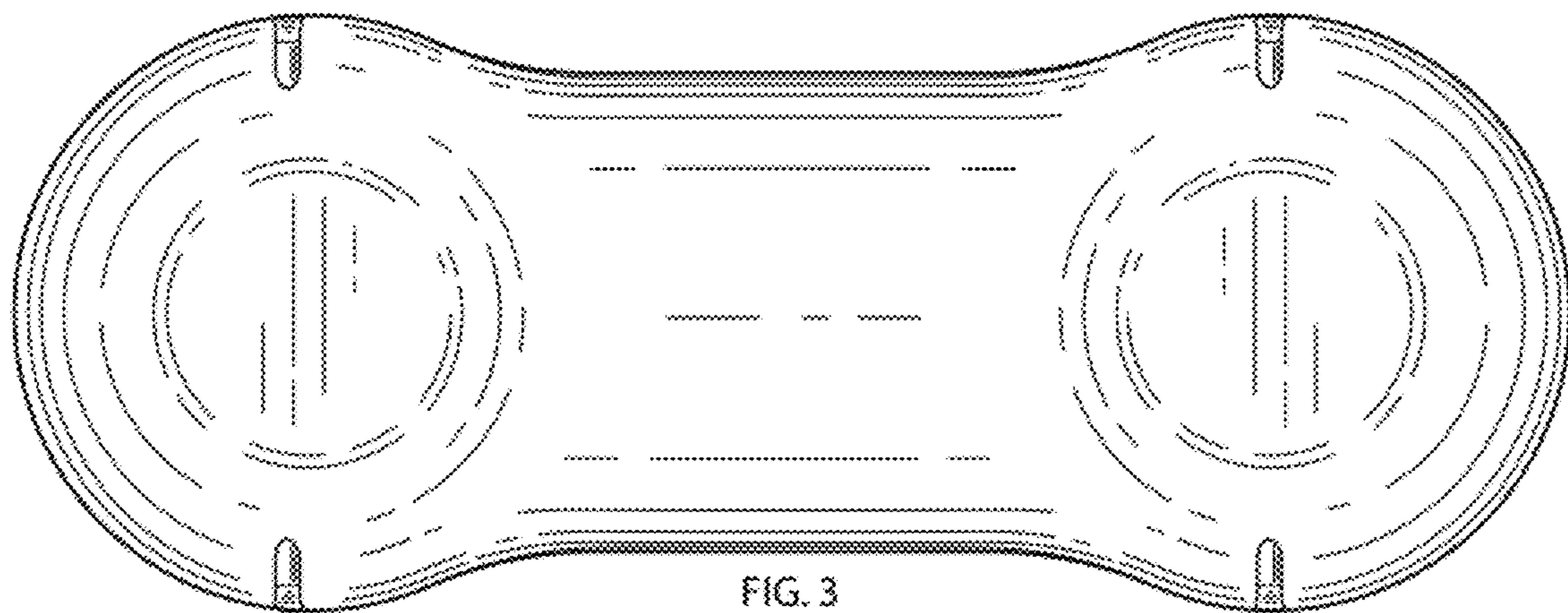


FIG. 3

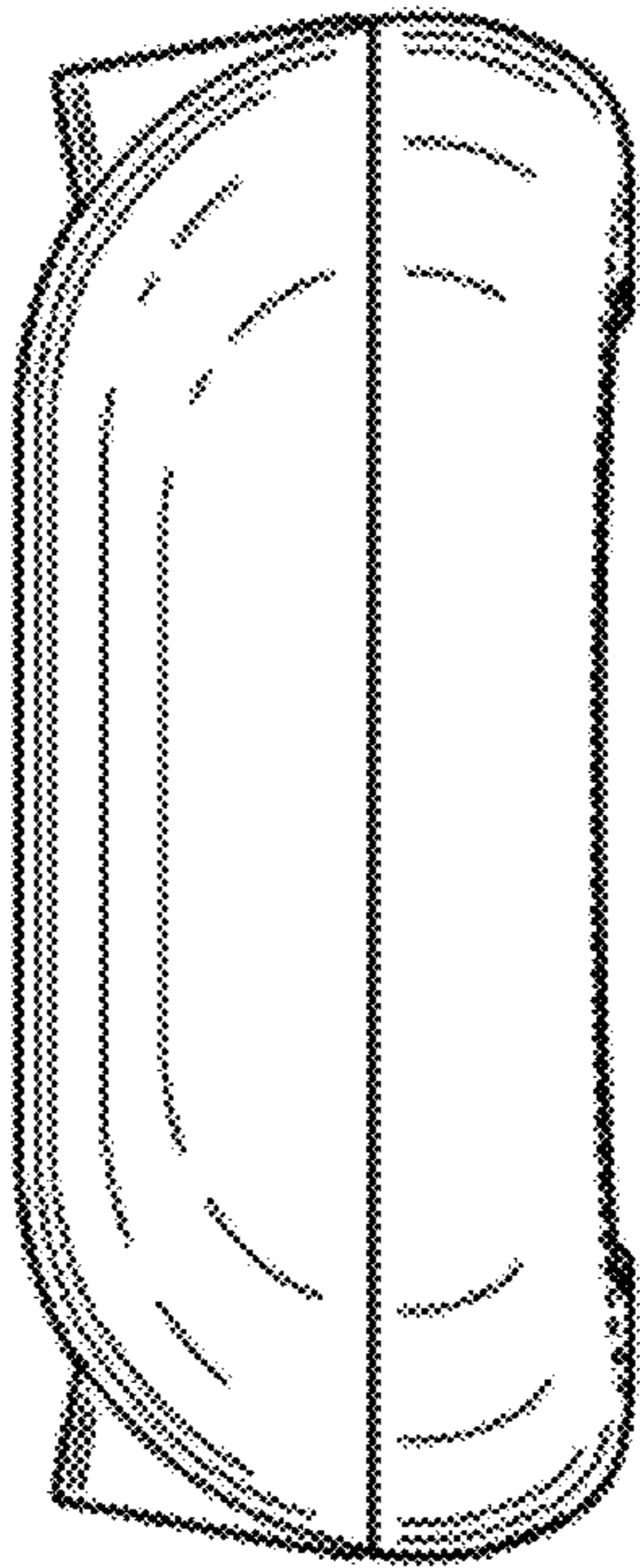


FIG. 4

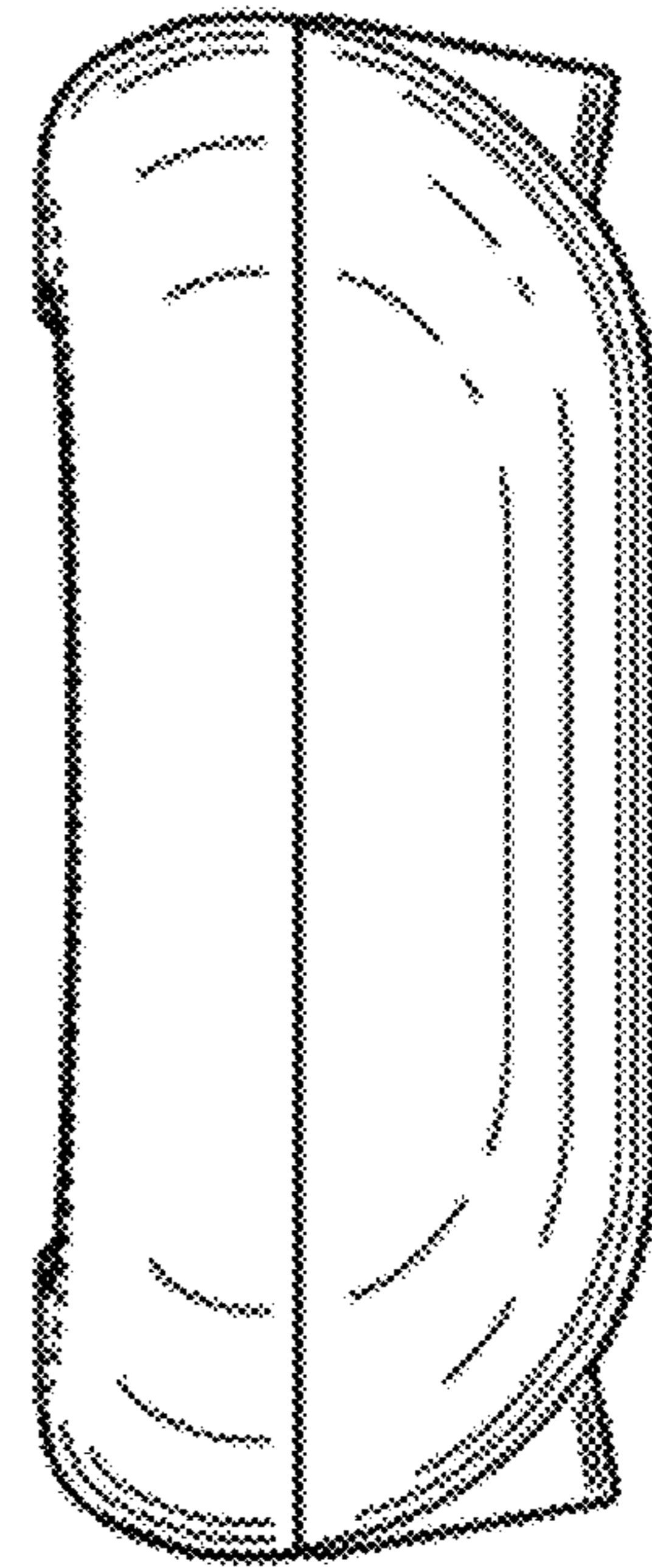


FIG. 5

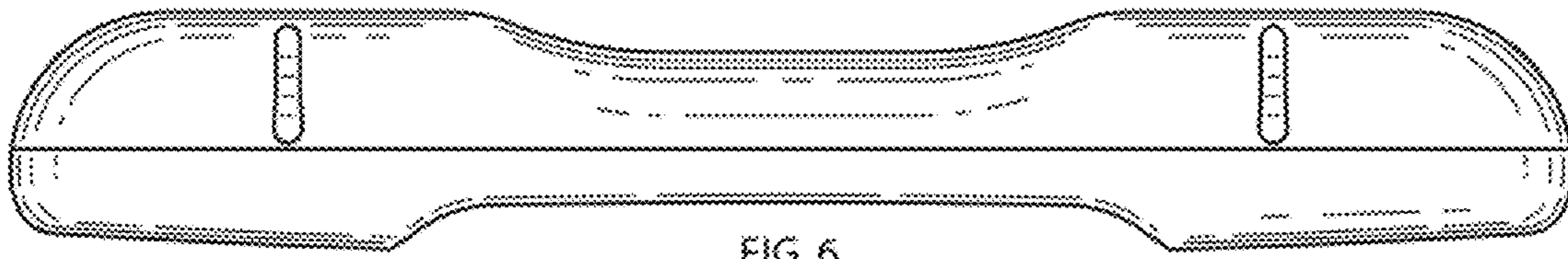


FIG. 6

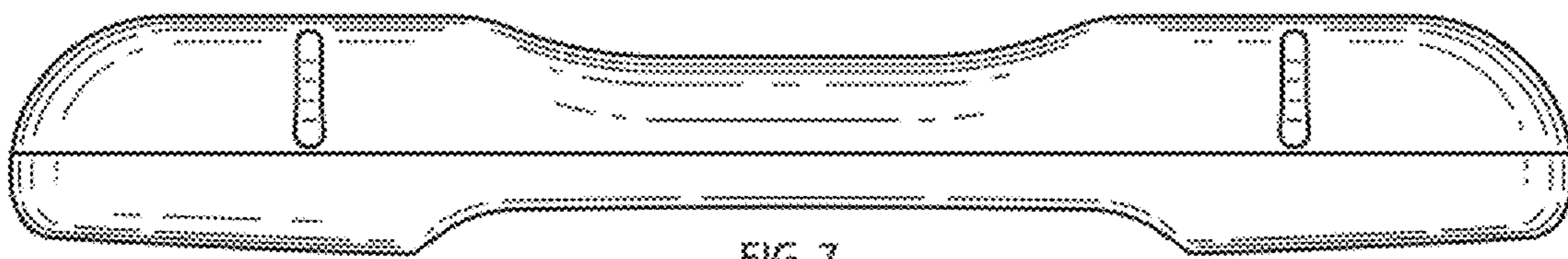


FIG. 7