



US00D675192S

(12) **United States Design Patent**  
**Chen**

(10) **Patent No.:** **US D675,192 S**  
(45) **Date of Patent:** **\*\* Jan. 29, 2013**

(54) **SPEAKER SET**

(75) Inventor: **Hwang-Miaw Chen**, New Taipei (TW)

(73) Assignee: **Hon Hai Precision Industry Co., Ltd.**,  
New Taipei (TW)

(\*\*) Term: **14 Years**

(21) Appl. No.: **29/407,229**

(22) Filed: **Nov. 23, 2011**

(51) **LOC (9) Cl.** ..... **14-03**

(52) **U.S. Cl.** ..... **D14/215**

(58) **Field of Classification Search** ..... D14/167,  
D14/172, 194–196, 204, 207, 209.1, 210–216,  
D14/221, 222; 181/143, 144, 147, 148, 150,  
181/153, 157, 198, 199; 381/300–303, 306,  
381/332, 333, 336, 345, 361–364, 386–388  
See application file for complete search history.

(56) **References Cited**

U.S. PATENT DOCUMENTS

D523,417 S \* 6/2006 Amada et al. .... D14/204  
D622,700 S \* 8/2010 Chen ..... D14/214  
D635,550 S \* 4/2011 Chen ..... D14/214

D650,357 S \* 12/2011 Chen ..... D14/215  
D654,475 S \* 2/2012 Chen ..... D14/215  
2009/0288911 A1\* 11/2009 Chen et al. .... 181/199

\* cited by examiner

*Primary Examiner* — Stella Reid

*Assistant Examiner* — Keli L Hill

(74) *Attorney, Agent, or Firm* — Altis Law Group, Inc.

(57) **CLAIM**

The ornamental design for a speaker set, as shown and described.

**DESCRIPTION**

FIG. 1 is a perspective view of a right speaker of the speaker set showing my new design.

FIG. 2 is a front elevational view thereof.

FIG. 3 is a rear elevational view thereof.

FIG. 4 is a left side elevational view thereof.

FIG. 5 is a right side elevational view thereof.

FIG. 6 is a top plan view thereof; and,

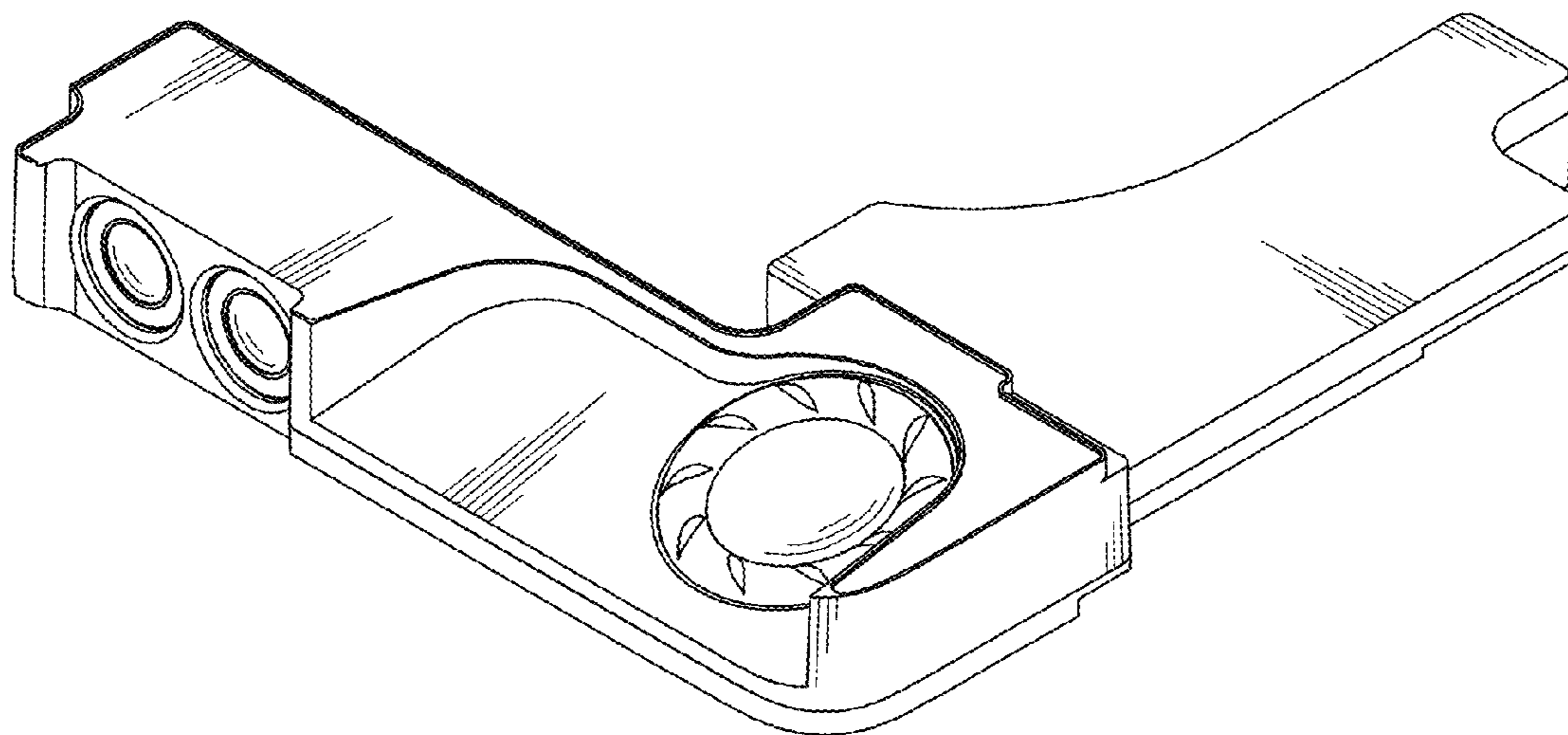
FIG. 7 is a bottom plan view thereof.

The ornamental design also includes a left speaker of the speaker set.

The left speaker is a mirror image of the right speaker.

The broken lines shown are included for the purpose of illustrating the unclaimed portions of the article and form no part of the claim.

**1 Claim, 7 Drawing Sheets**



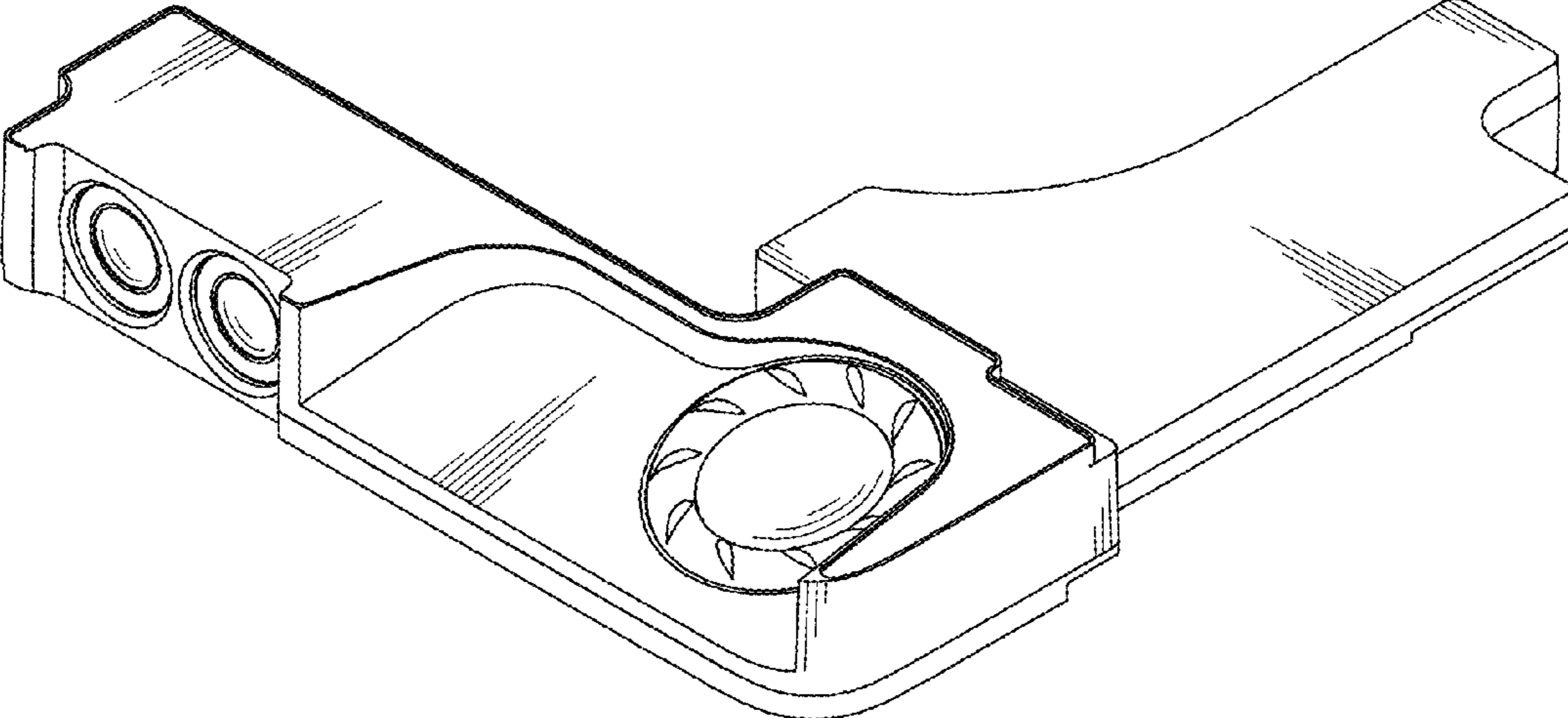


FIG. 1

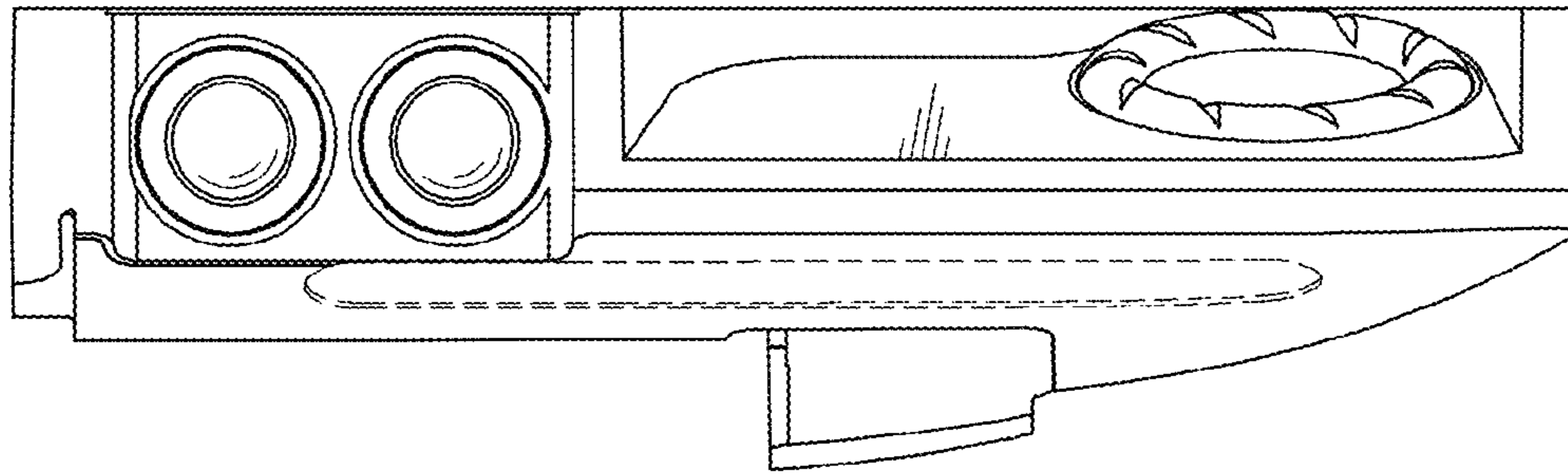


FIG. 2

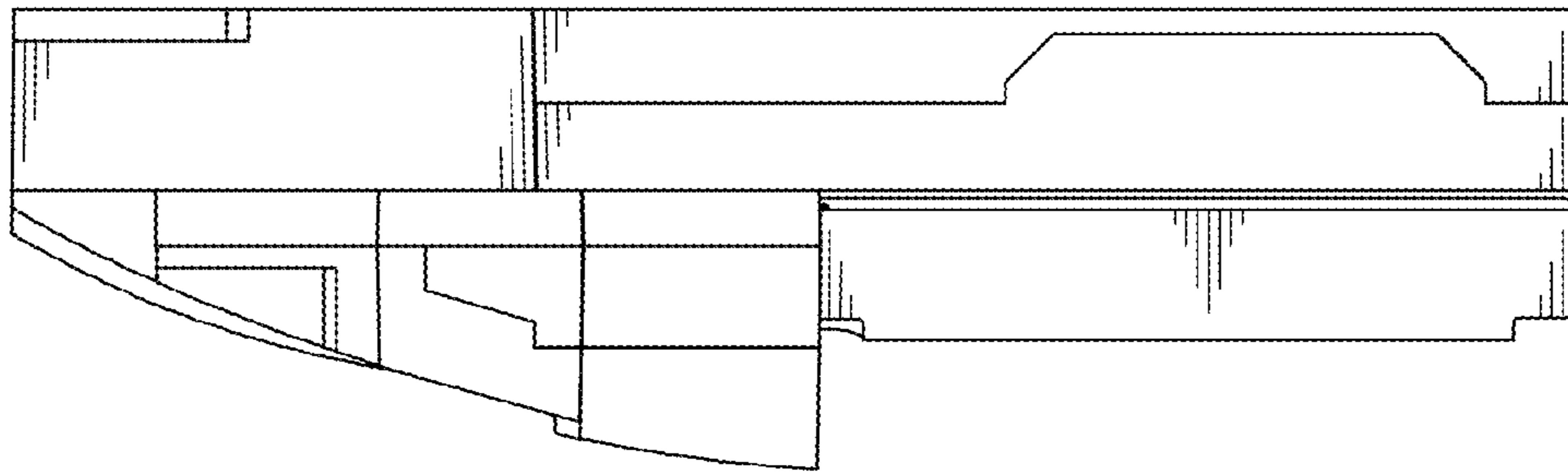


FIG. 3

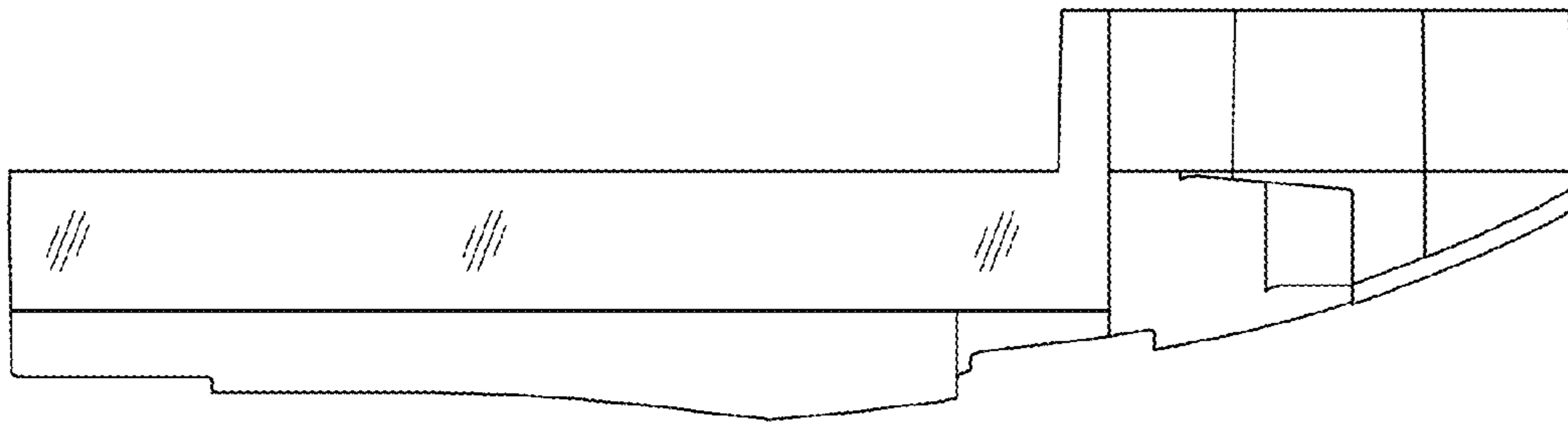


FIG. 4

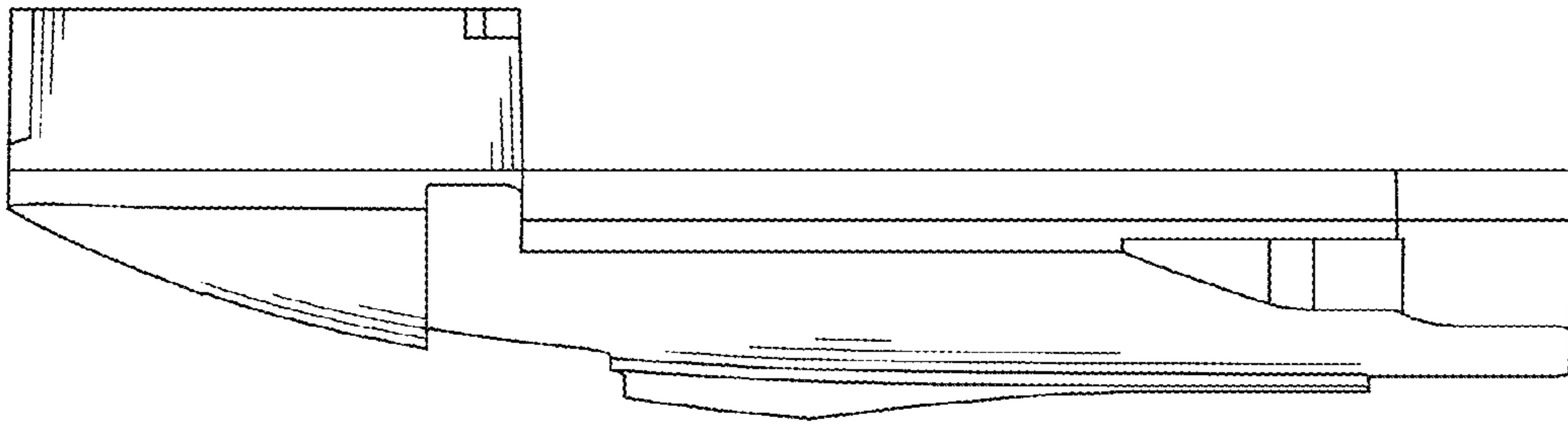


FIG. 5

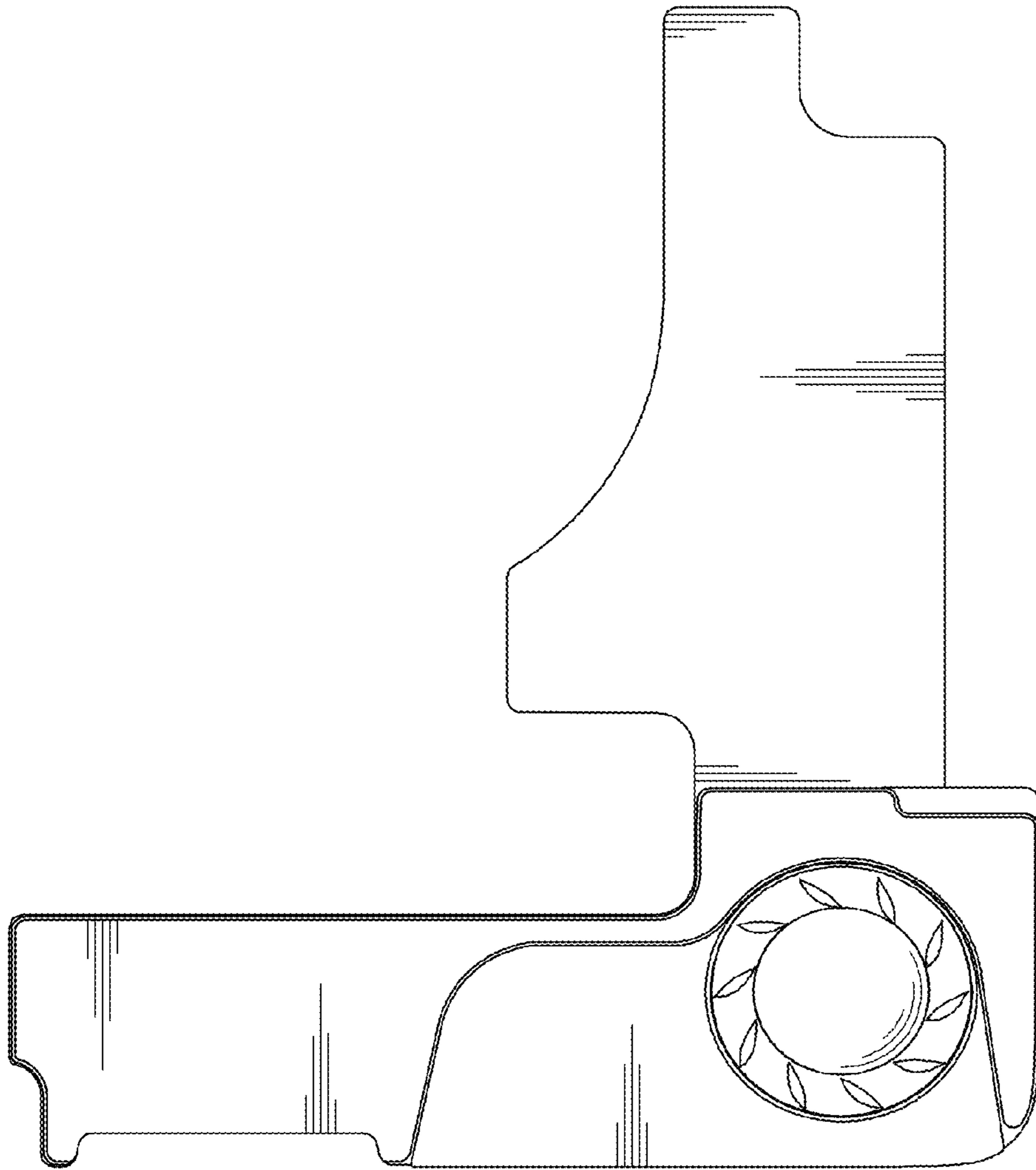


FIG. 6

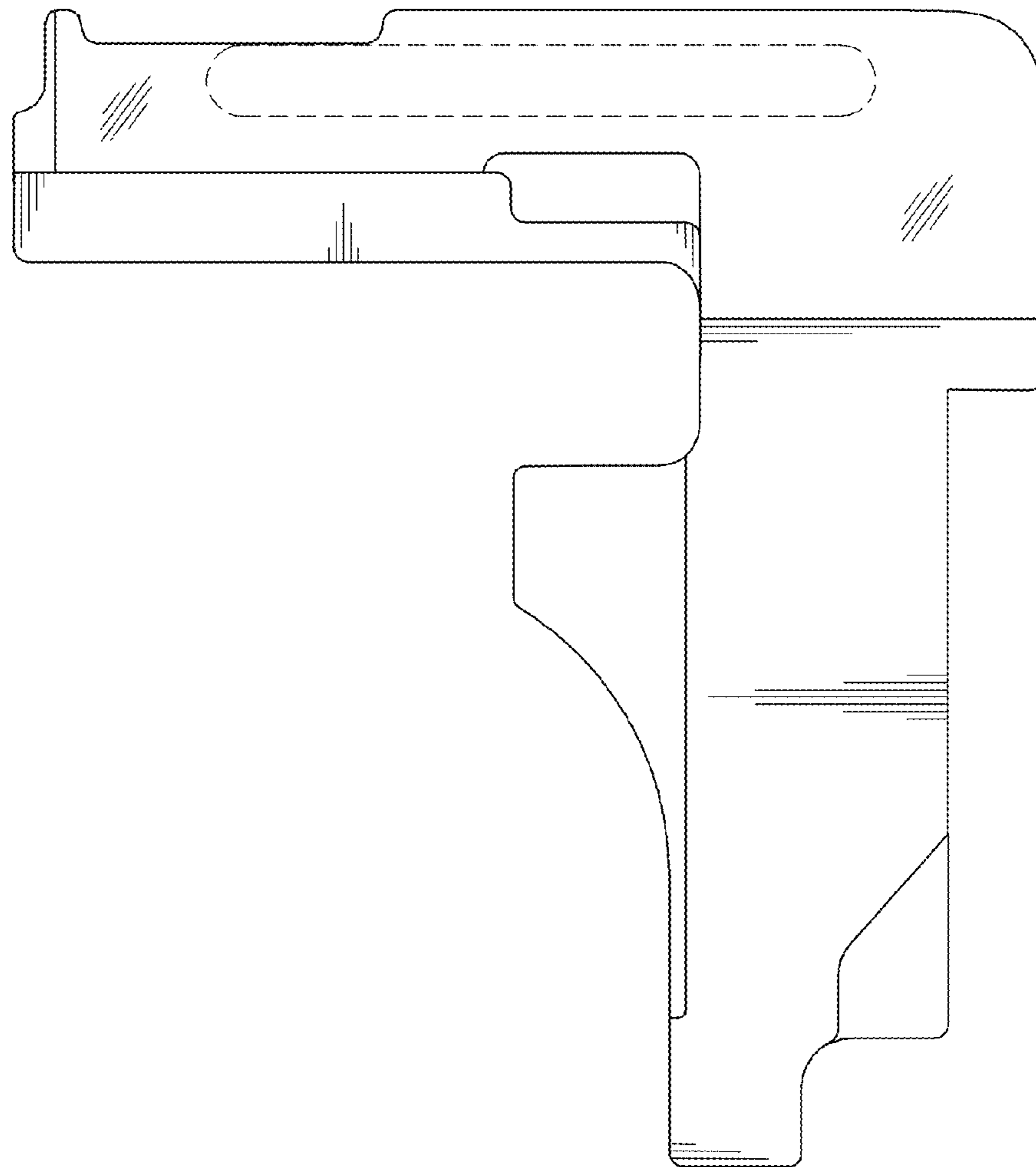


FIG. 7