



US00D675189S

(12) **United States Design Patent**
Chen

(10) **Patent No.:** **US D675,189 S**

(45) **Date of Patent:** **** Jan. 29, 2013**

(54) **SPEAKER SET**

(75) Inventor: **Hwang-Miaw Chen**, New Taipei (TW)

(73) Assignee: **Hon Hai Precision Industry Co., Ltd.**,
New Taipei (TW)

(**) Term: **14 Years**

(21) Appl. No.: **29/418,647**

(22) Filed: **Apr. 19, 2012**

(51) **LOC (9) Cl.** **14-03**

(52) **U.S. Cl.** **D14/210**

(58) **Field of Classification Search** D14/167,
D14/172, 194–196, 204, 207, 209.1, 210–216,
D14/221, 222; 181/143, 144, 147, 148, 150,
181/153, 157, 198, 199; 381/300–303, 306,
381/332, 333, 336, 345, 361–364, 386–388

See application file for complete search history.

(56) **References Cited**

U.S. PATENT DOCUMENTS

D647,506	S	*	10/2011	Chen	D14/215
D650,358	S	*	12/2011	Chen	D14/215
D654,475	S	*	2/2012	Chen	D14/215
2009/0288911	A1	*	11/2009	Chen et al.	181/199
2012/0160599	A1	*	6/2012	Chen	181/199

* cited by examiner

Primary Examiner — Stella Reid

Assistant Examiner — Keli L Hill

(74) *Attorney, Agent, or Firm* — Altis Law Group, Inc.

(57) **CLAIM**

The ornamental design for a speaker set, as shown and described.

DESCRIPTION

FIG. 1 is a perspective view of a right speaker of the speaker set showing my new design.

FIG. 2 is a front elevational view thereof.

FIG. 3 is a rear elevational view thereof.

FIG. 4 is a left side elevational view thereof.

FIG. 5 is a right side elevational view thereof.

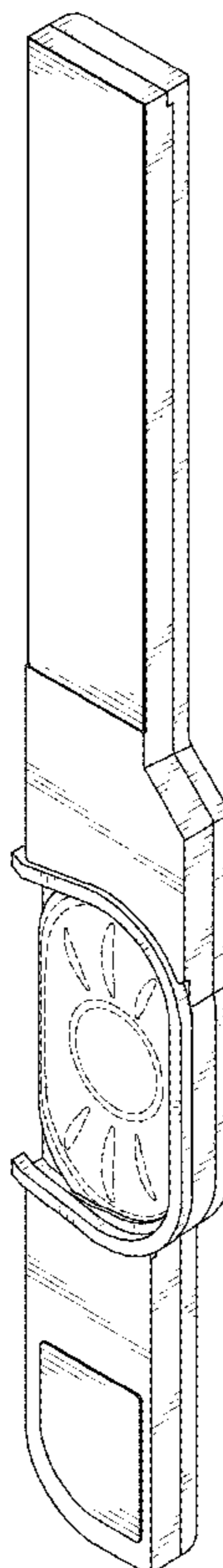
FIG. 6 is a top plan view thereof; and,

FIG. 7 is a bottom plan view thereof.

The ornamental design also includes a left speaker of the speaker set. The left speaker is a mirror image of the right speaker.

The broken lines shown are included for the purpose of illustrating the unclaimed portions of the article and form no part of the claim.

1 Claim, 7 Drawing Sheets



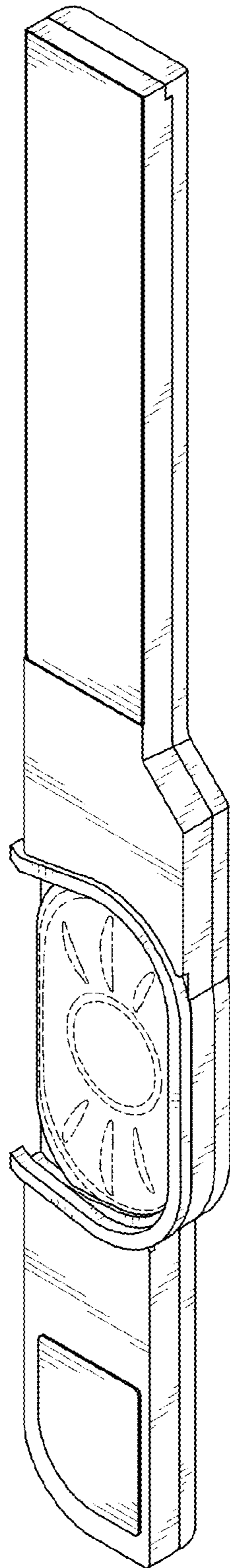


FIG. 1

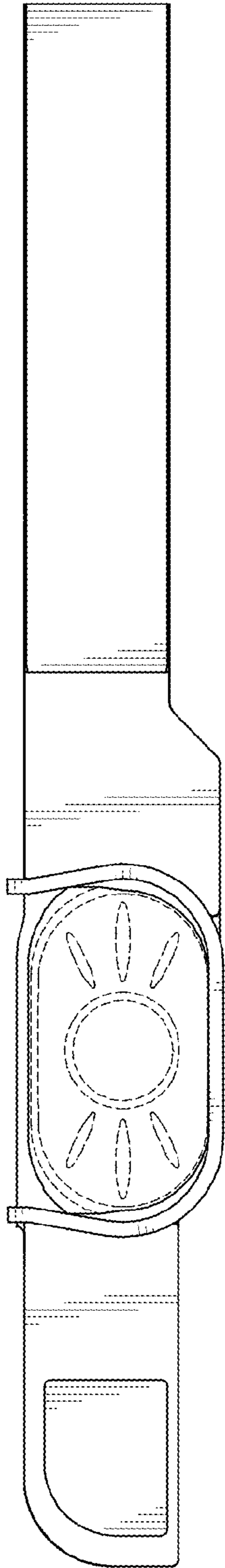


FIG. 2

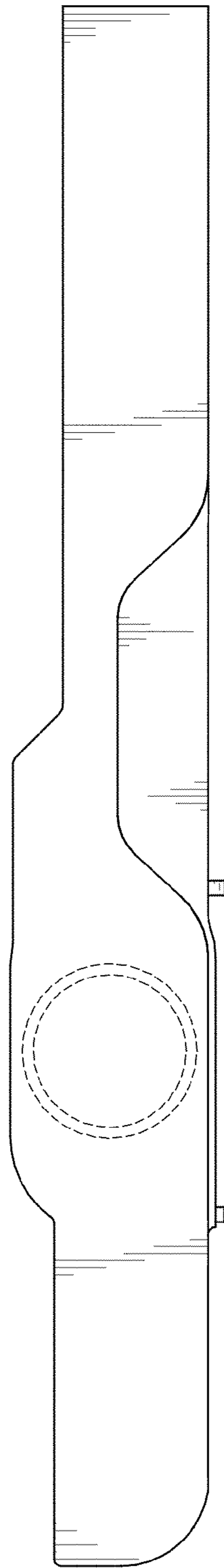


FIG. 3

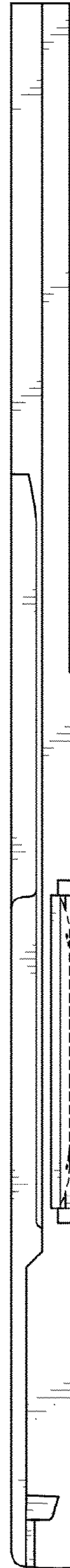


FIG. 4

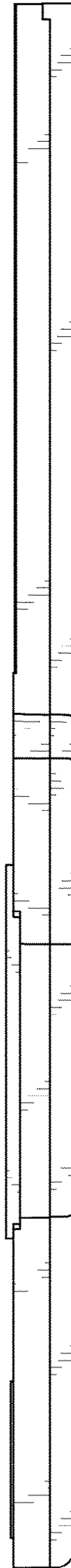


FIG. 5

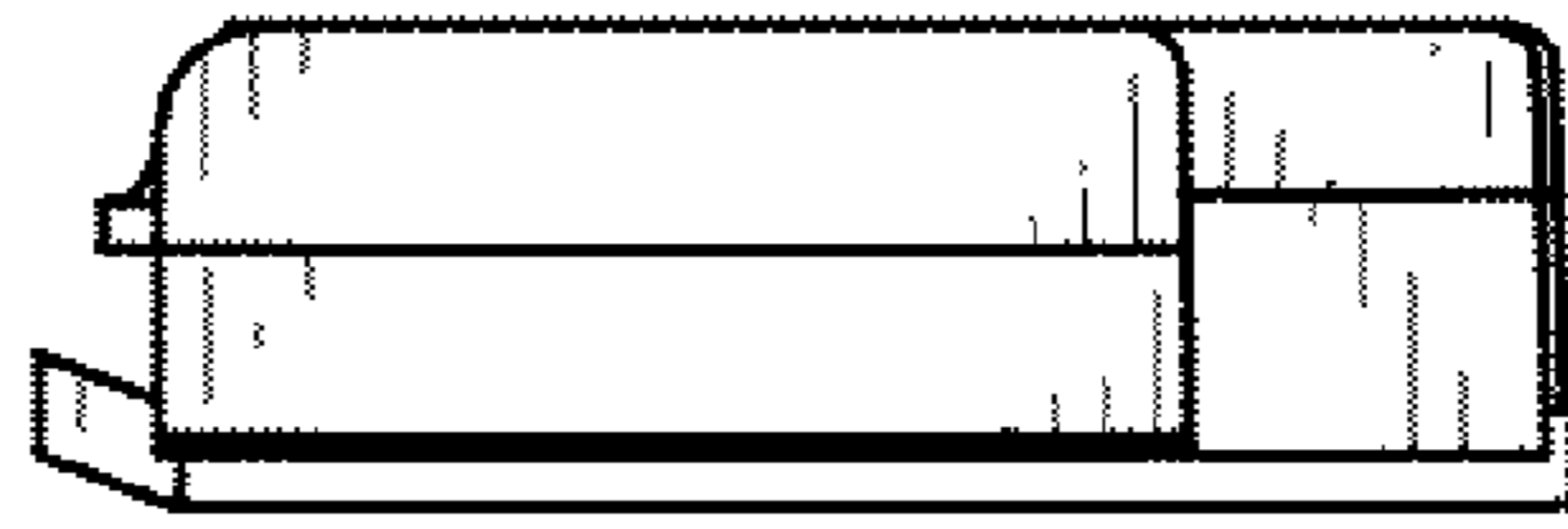


FIG. 6



FIG. 7