



US00D675175S

(12) **United States Design Patent**  
**Kim et al.**

(10) **Patent No.:** **US D675,175 S**  
(45) **Date of Patent:** **\*\* Jan. 29, 2013**

(54) **TELEVISION RECEIVER**

(75) Inventors: **Yeonjin Kim**, Seoul (KR); **Junki Kim**, Seoul (KR); **Eunbong Lee**, Seoul (KR); **Hanjin Jung**, Seoul (KR)

(73) Assignee: **LG Electronics Inc.**, Seoul (KR)

(\*\*) Term: **14 Years**

(21) Appl. No.: **29/425,834**

(22) Filed: **Jun. 27, 2012**

(30) **Foreign Application Priority Data**

Dec. 28, 2011 (KR) ..... 30-2011-0055839

(51) **LOC (9) Cl.** ..... **14-03**

(52) **U.S. Cl.** ..... **D14/126**

(58) **Field of Classification Search** ..... D14/125-134, D14/239, 371, 136, 374-377, 440, 450, 448, D14/336, 342; 312/7.2; 348/836, 838, 180, 348/184, 325, 739; 341/12; 248/917-924, 248/465; 345/104, 133, 156, 168, 87, 173; 720/605, 669, 600, 655; 369/99, 197; 455/344, 455/347; D21/329, 515, 577, 622, 333, 433, D21/448, 452, 450, 331; D6/477, 479, 300; 273/148 B; 446/484, 175, 356; D10/15, D10/26

See application file for complete search history.

(56) **References Cited**

U.S. PATENT DOCUMENTS

D574,341	S	*	8/2008	Kuramashi et al.	.....	D14/126
D626,924	S	*	11/2010	Miyaji	.....	D14/126
D661,269	S	*	6/2012	Lee et al.	.....	D14/126
D661,271	S	*	6/2012	Hwangbo et al.	.....	D14/126
D661,272	S	*	6/2012	Kim et al.	.....	D14/126

\* cited by examiner

*Primary Examiner* — Raphael Barkai

(74) *Attorney, Agent, or Firm* — Birch, Stewart, Kolasch & Birch, LLP

(57) **CLAIM**

The ornamental design for a television receiver, as shown and described.

**DESCRIPTION**

FIG. 1 is a perspective view of a television receiver showing our new design;  
FIG. 2 is a front view thereof;  
FIG. 3 is a rear view thereof;  
FIG. 4 is a left side view thereof;  
FIG. 5 is a right side view thereof;  
FIG. 6 is a top plan view thereof;  
FIG. 7 is a bottom plan view thereof; and,  
FIG. 8 is a rear perspective view thereof.

**1 Claim, 7 Drawing Sheets**

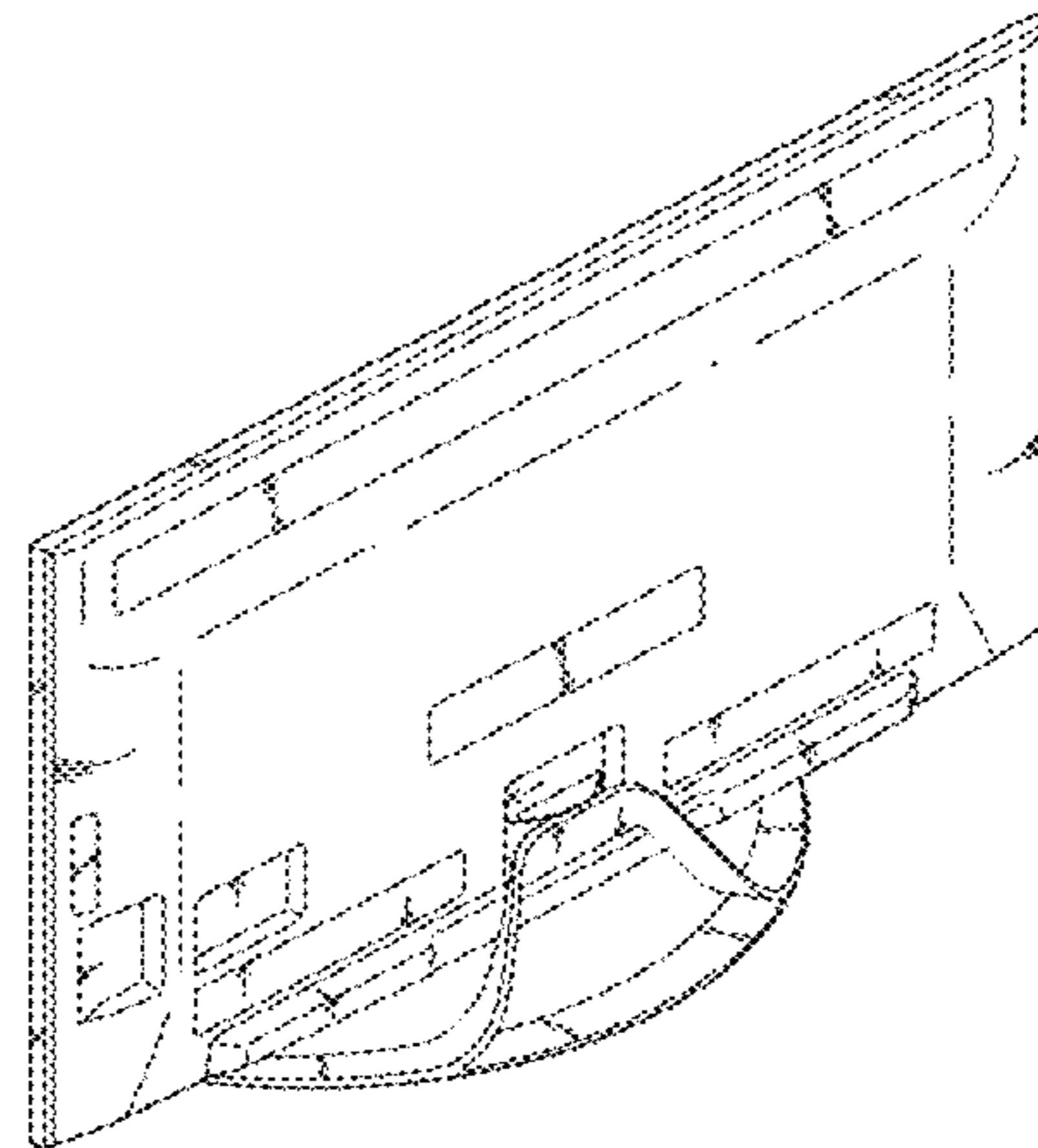
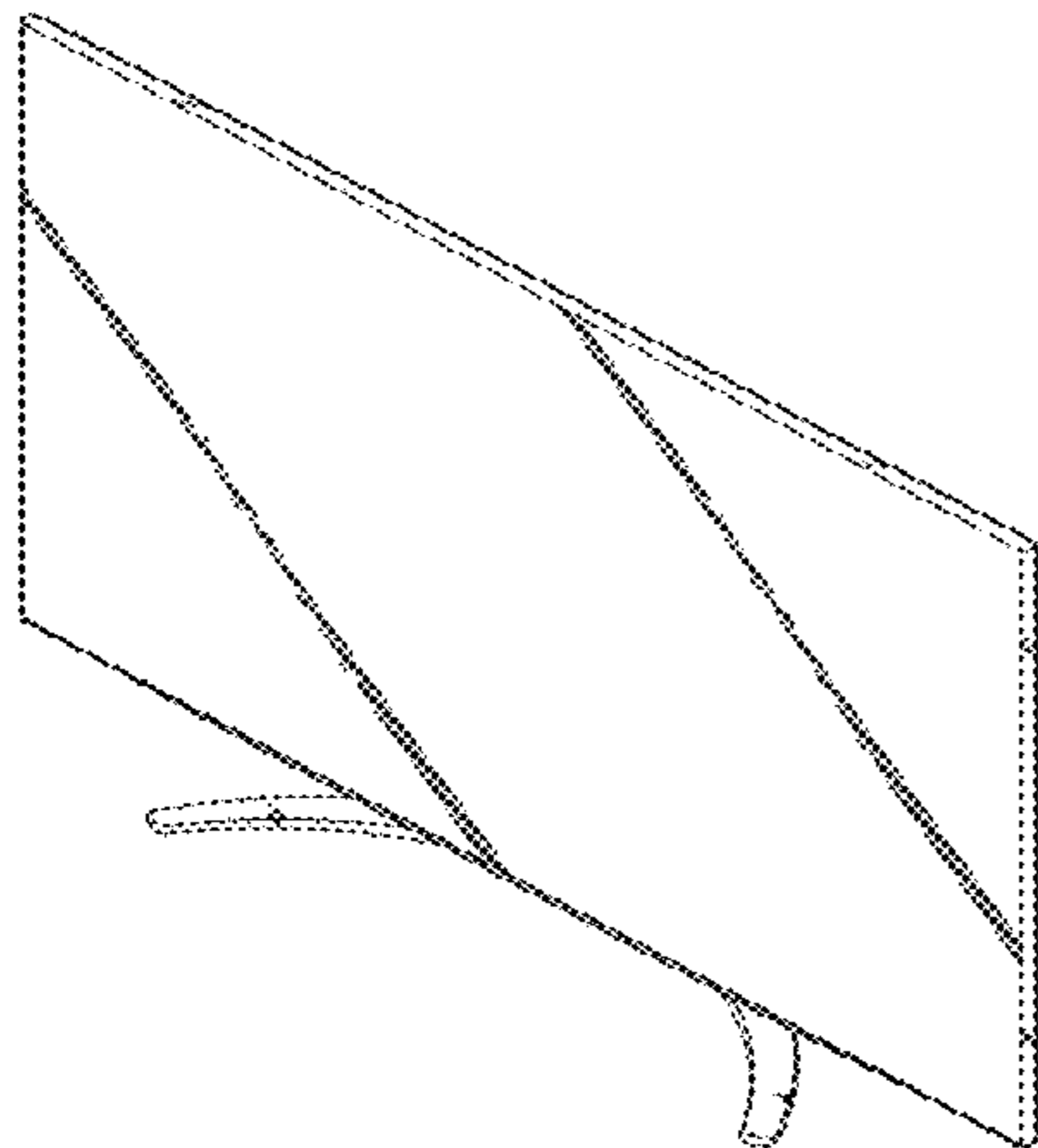


FIG. 1

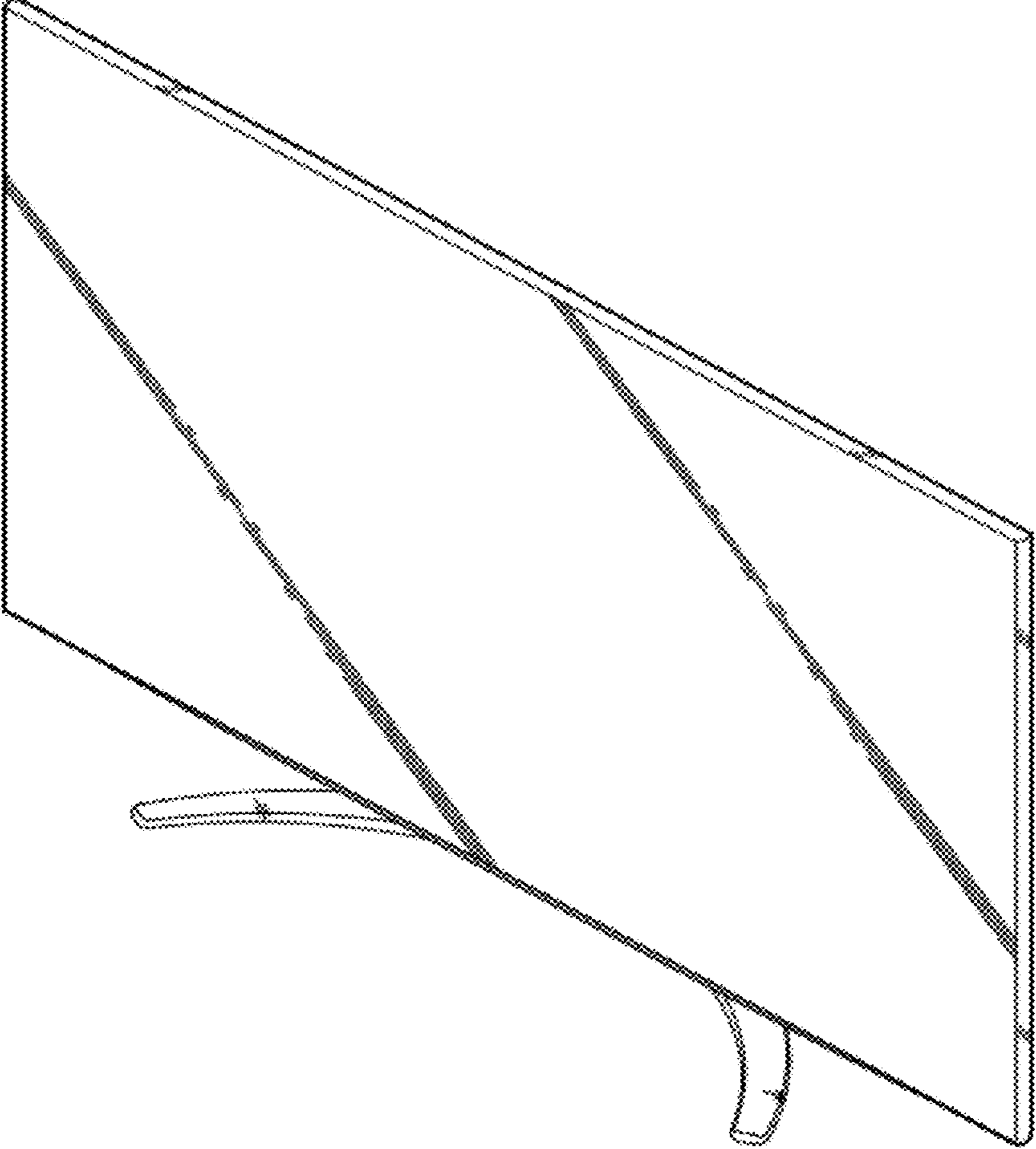


FIG. 2

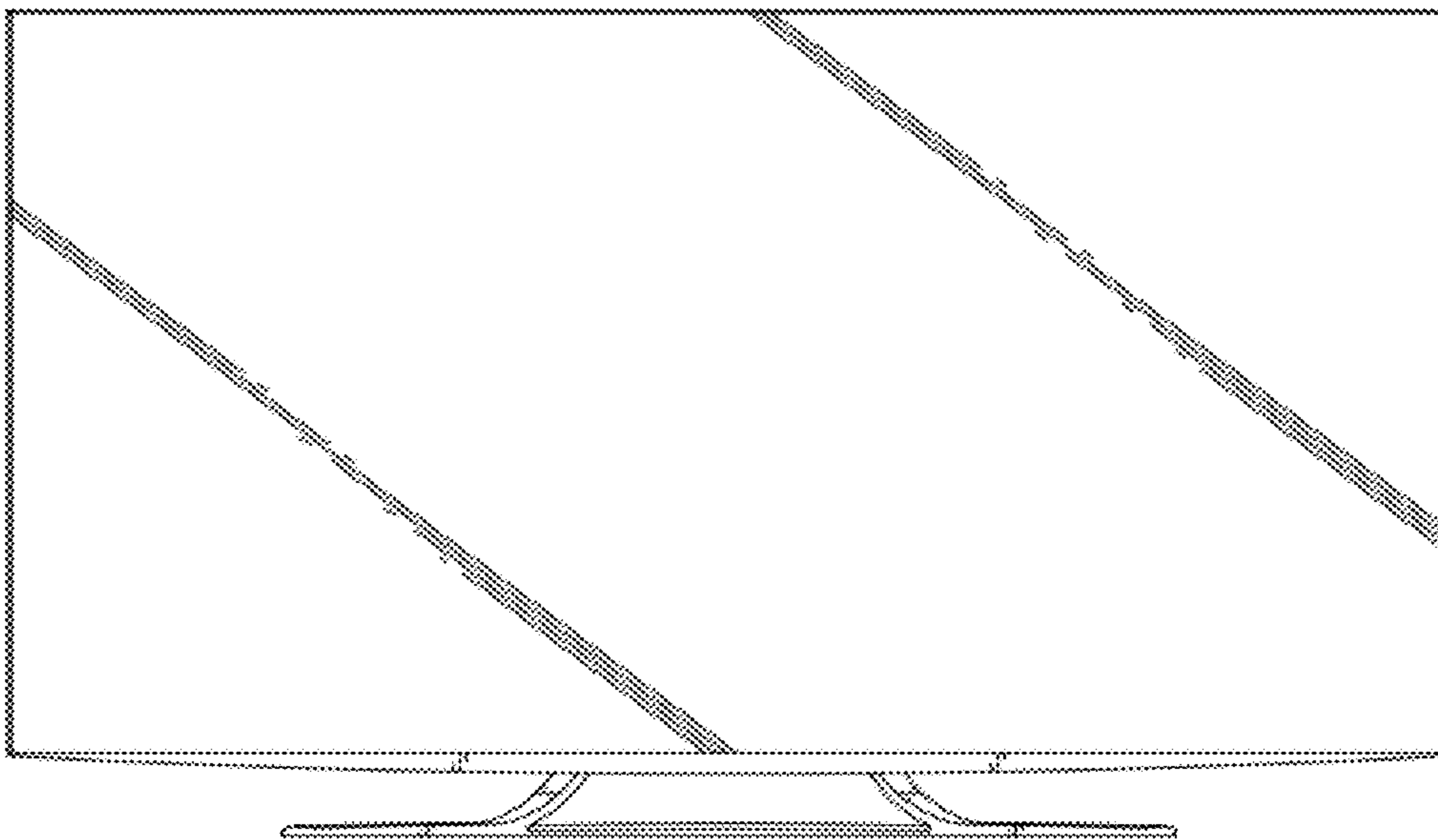


FIG. 3

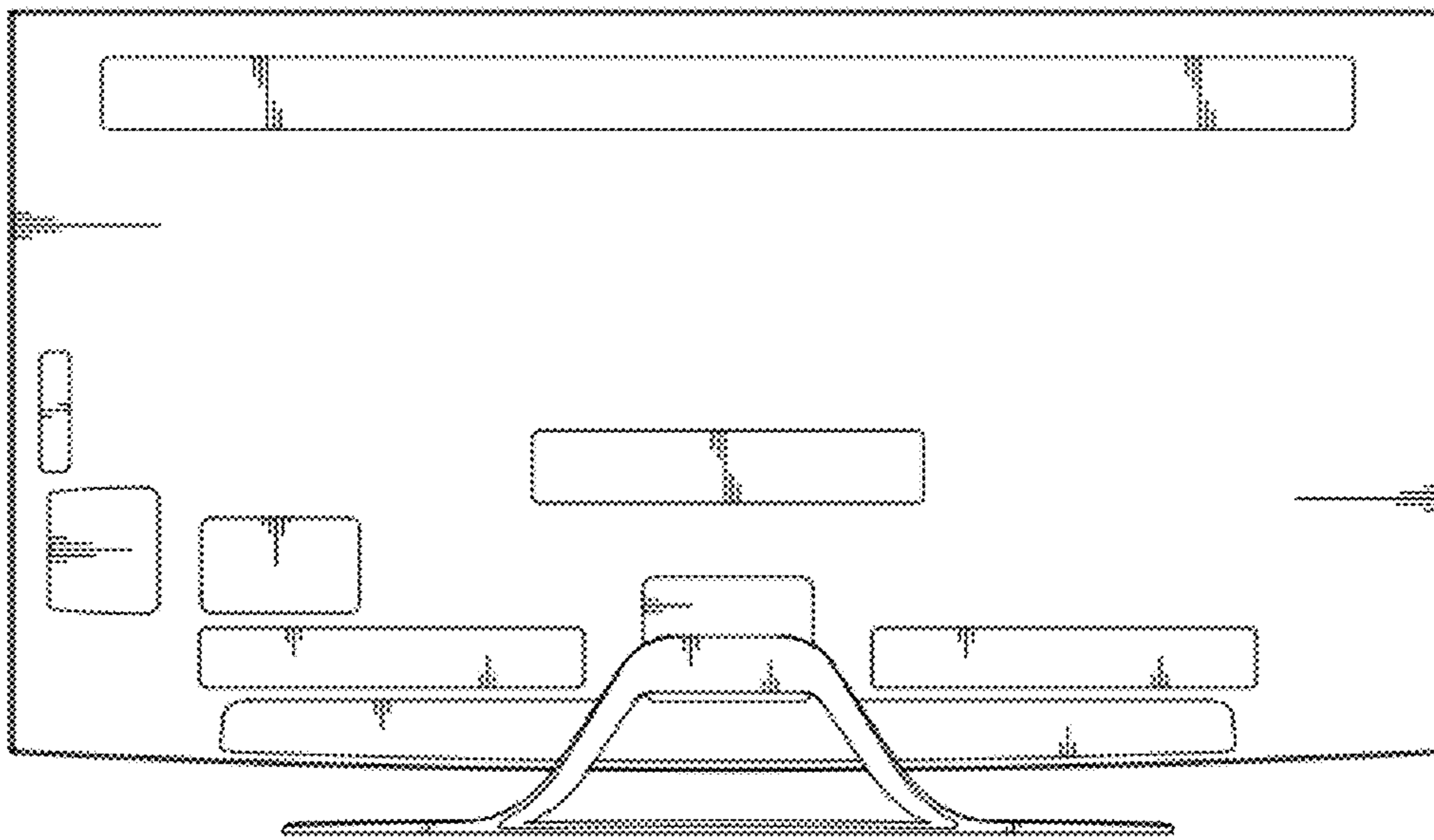


FIG. 4

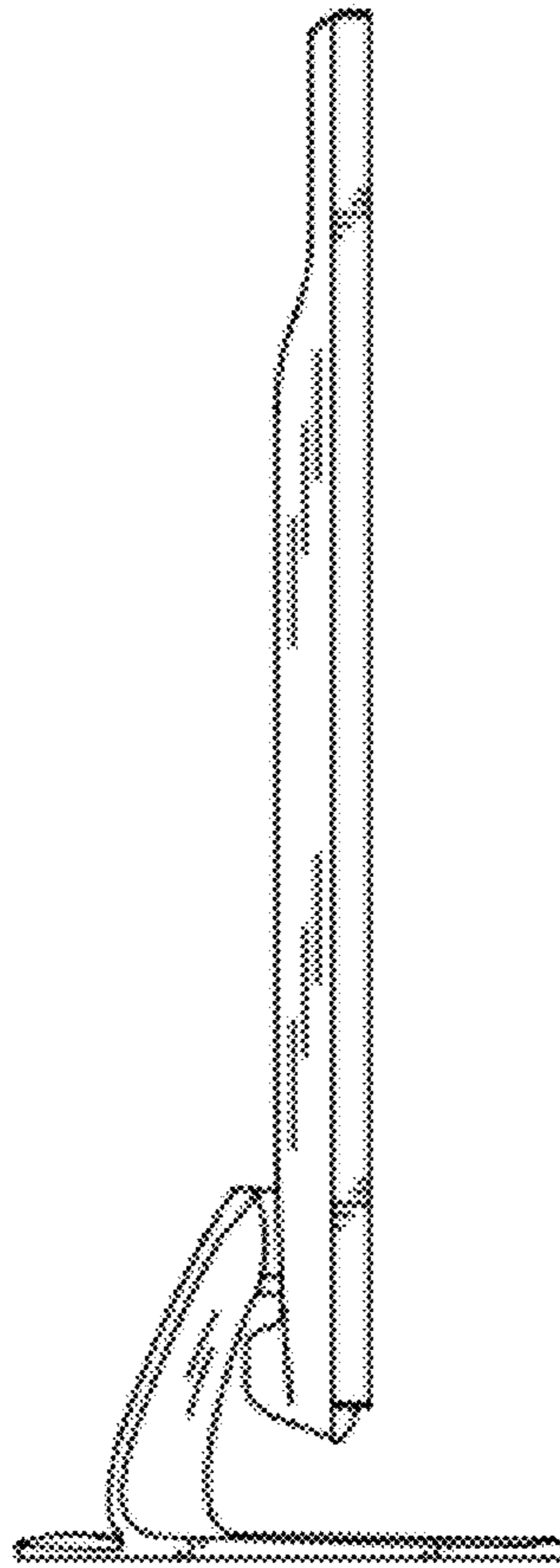


FIG. 5

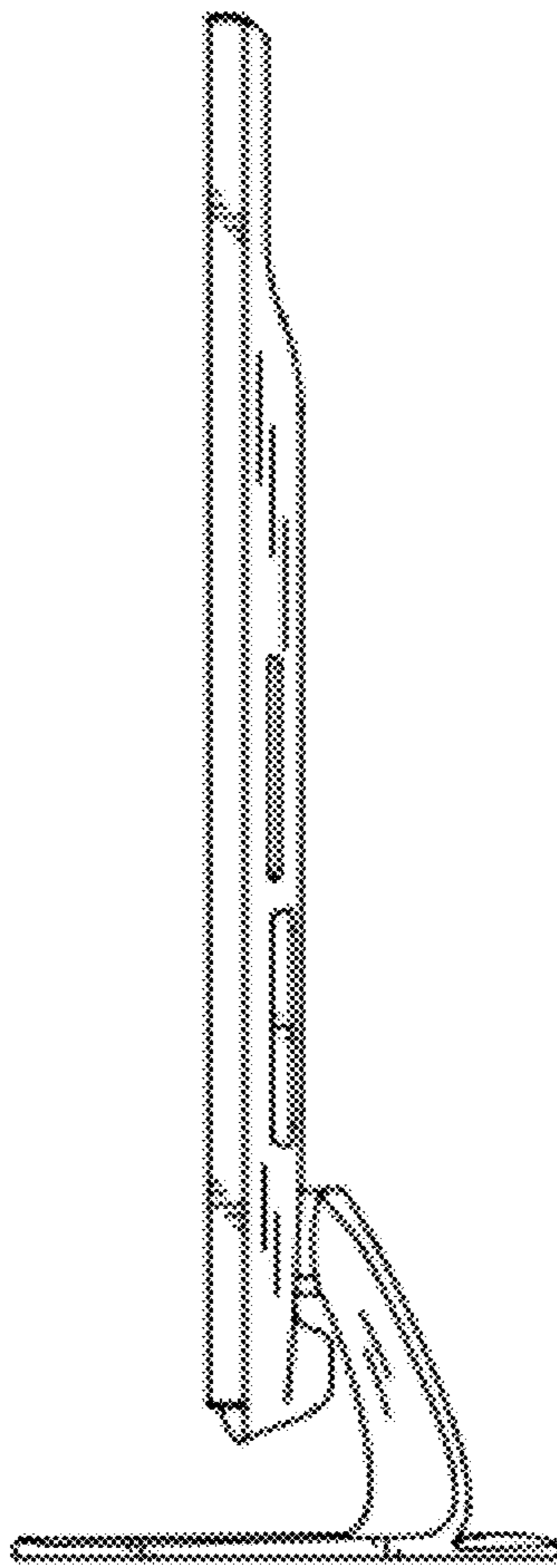


FIG. 6

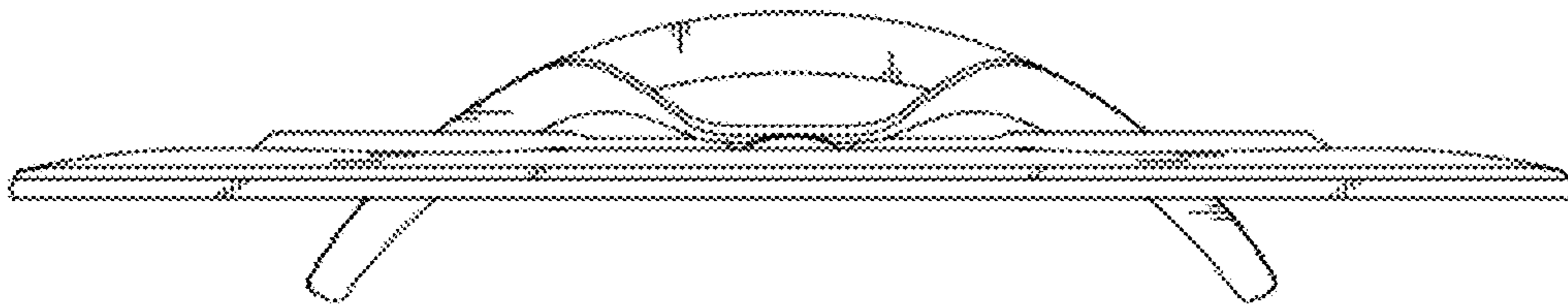


FIG. 7

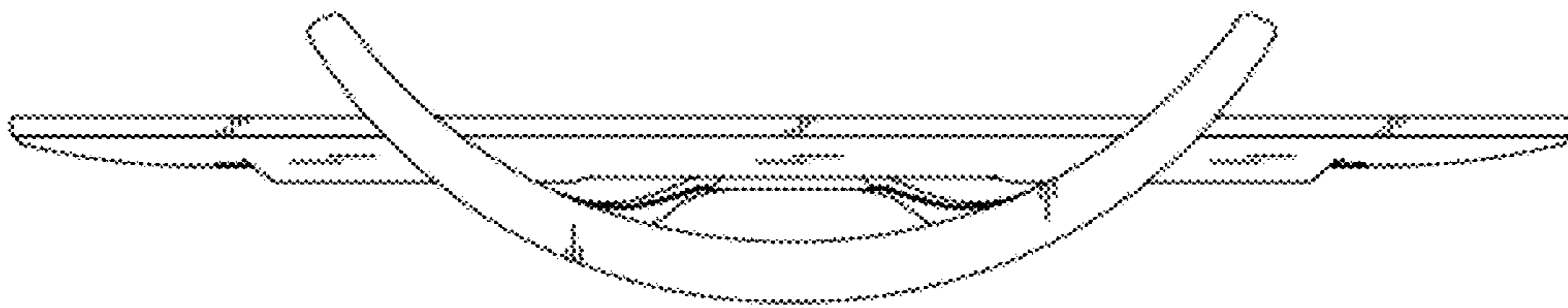


FIG. 8

