



US00D675174S

(12) **United States Design Patent**
Lee et al.

(10) **Patent No.:** **US D675,174 S**
(45) **Date of Patent:** **** Jan. 29, 2013**

(54) **TELEVISION RECEIVER**

(56) **References Cited**

(75) Inventors: **Yongho Lee**, Seoul (KR); **Jinhee Kim**,
Seoul (KR); **Nari Lee**, Seoul (KR);
Areum Kwon, Seoul (KR)

(73) Assignee: **LG Electronics Inc.**, Seoul (KR)

(**) Term: **14 Years**

(21) Appl. No.: **29/410,174**

(22) Filed: **Jan. 5, 2012**

(30) **Foreign Application Priority Data**

Aug. 1, 2011 (KR) 30-2011-0032141

(51) **LOC (9) Cl.** **14-03**

(52) **U.S. Cl.** **D14/126**

(58) **Field of Classification Search** D14/125-134,
D14/239, 371, 136, 374-377, 440, 450, 448,
D14/336, 342; 312/7.2; 348/836, 838, 180,
348/184, 325, 739; 341/12; 248/917-924,
248/465; 345/104, 133, 156, 168, 87, 173;
720/605, 669, 600, 655; 369/99, 197; 455/344,
455/347; D21/329, 515, 577, 622, 333, 433,
D21/448, 452, 450, 331; D6/477, 479, 300;
273/148 B; 446/484, 175, 356; D10/15,
D10/26

See application file for complete search history.

U.S. PATENT DOCUMENTS

D546,788 S *	7/2007	Isshiki	D14/126
D550,176 S *	9/2007	Asanuma et al.	D14/126
D568,266 S *	5/2008	Shimamoto	D14/126
D594,457 S *	6/2009	Chen	D14/374
D636,358 S *	4/2011	Kim et al.	D14/126
D639,761 S *	6/2011	Chou et al.	D14/126
D642,145 S *	7/2011	Kim et al.	D14/126
D642,146 S *	7/2011	Park et al.	D14/126
D648,295 S *	11/2011	Jung et al.	D14/126
D667,805 S *	9/2012	Kim	D14/126

* cited by examiner

Primary Examiner — Raphael Barkai

Assistant Examiner — Randall Gholson

(74) *Attorney, Agent, or Firm* — Morgan, Lewis & Bockius LLP

(57) **CLAIM**

The ornamental design for a television receiver, as shown and described.

DESCRIPTION

FIG. 1 is a perspective view of a television receiver showing our new design;

FIG. 2 is a front view thereof;

FIG. 3 is a rear view thereof;

FIG. 4 is a left side view thereof;

FIG. 5 is a right side view thereof;

FIG. 6 is a top plan view thereof; and,

FIG. 7 is a bottom plan view thereof.

1 Claim, 6 Drawing Sheets

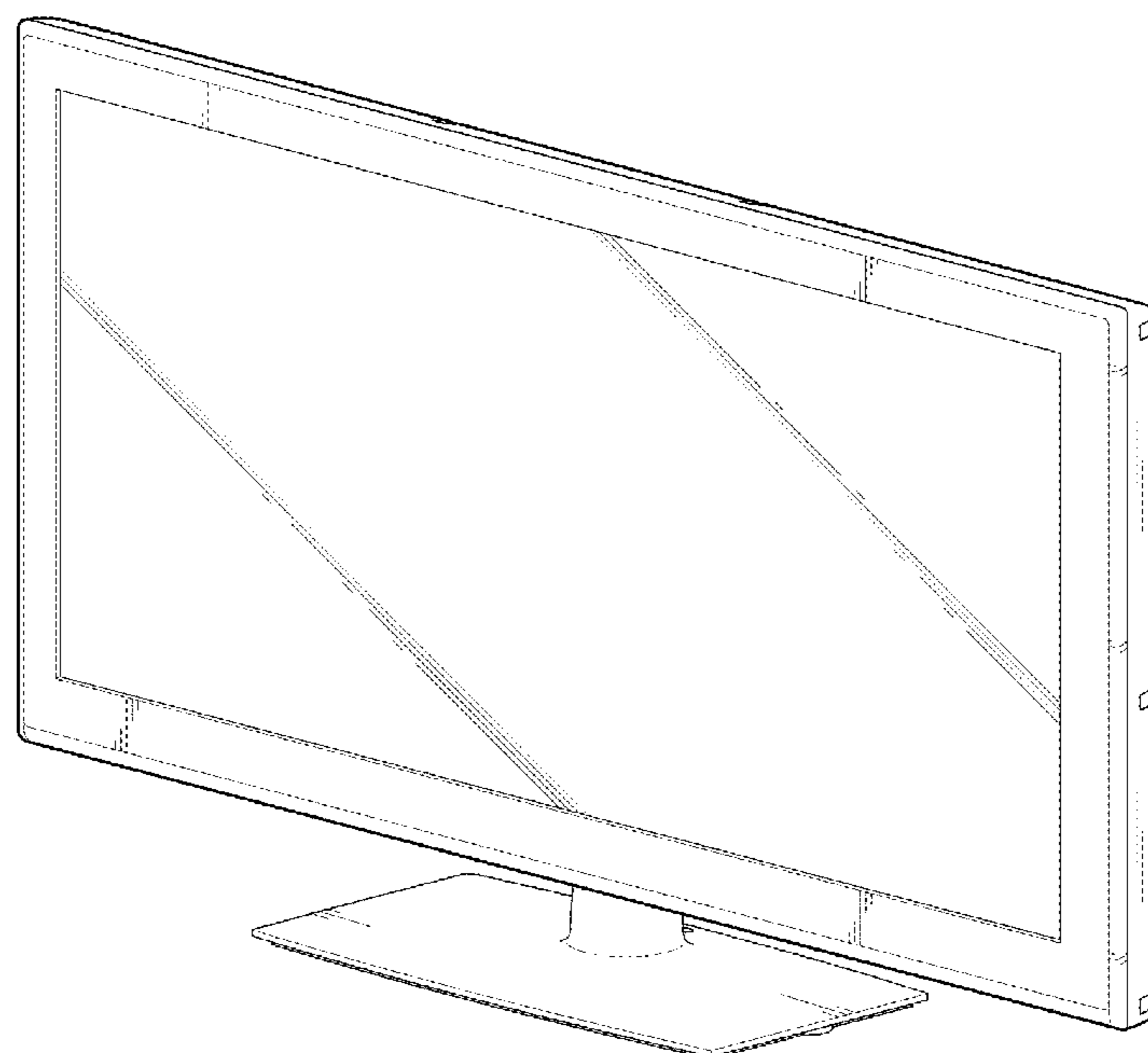


FIG. 1

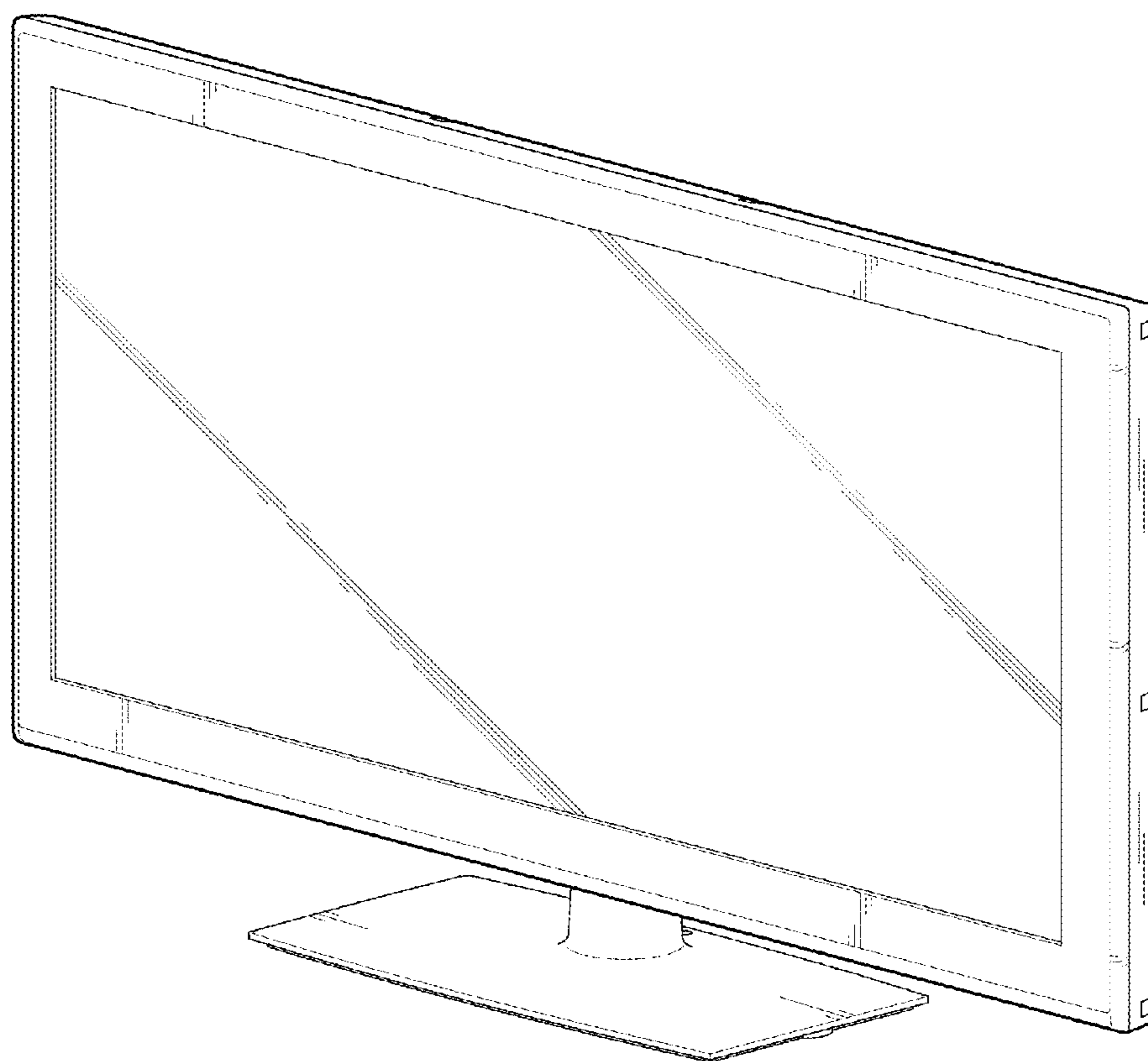


FIG. 2

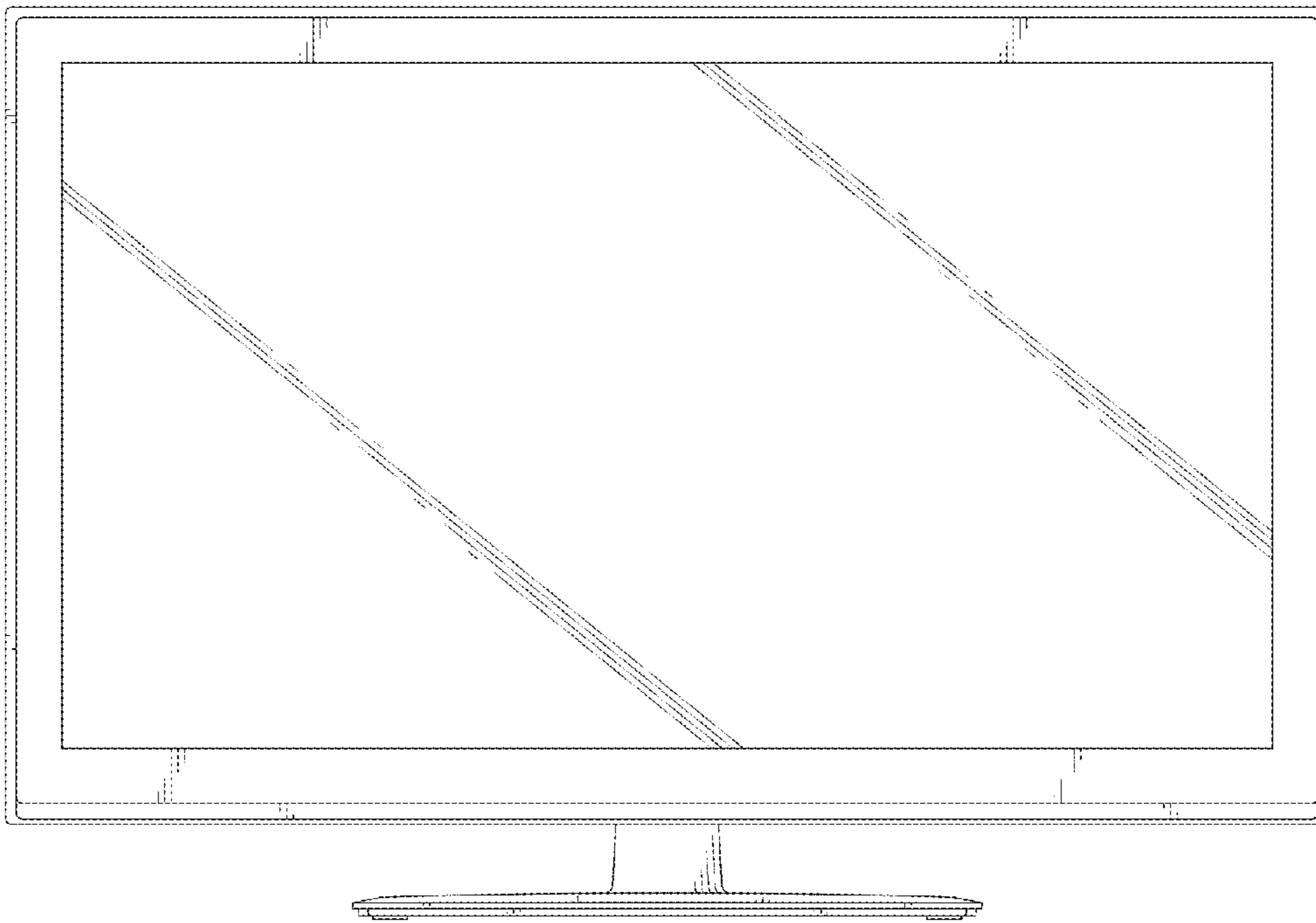


FIG. 3

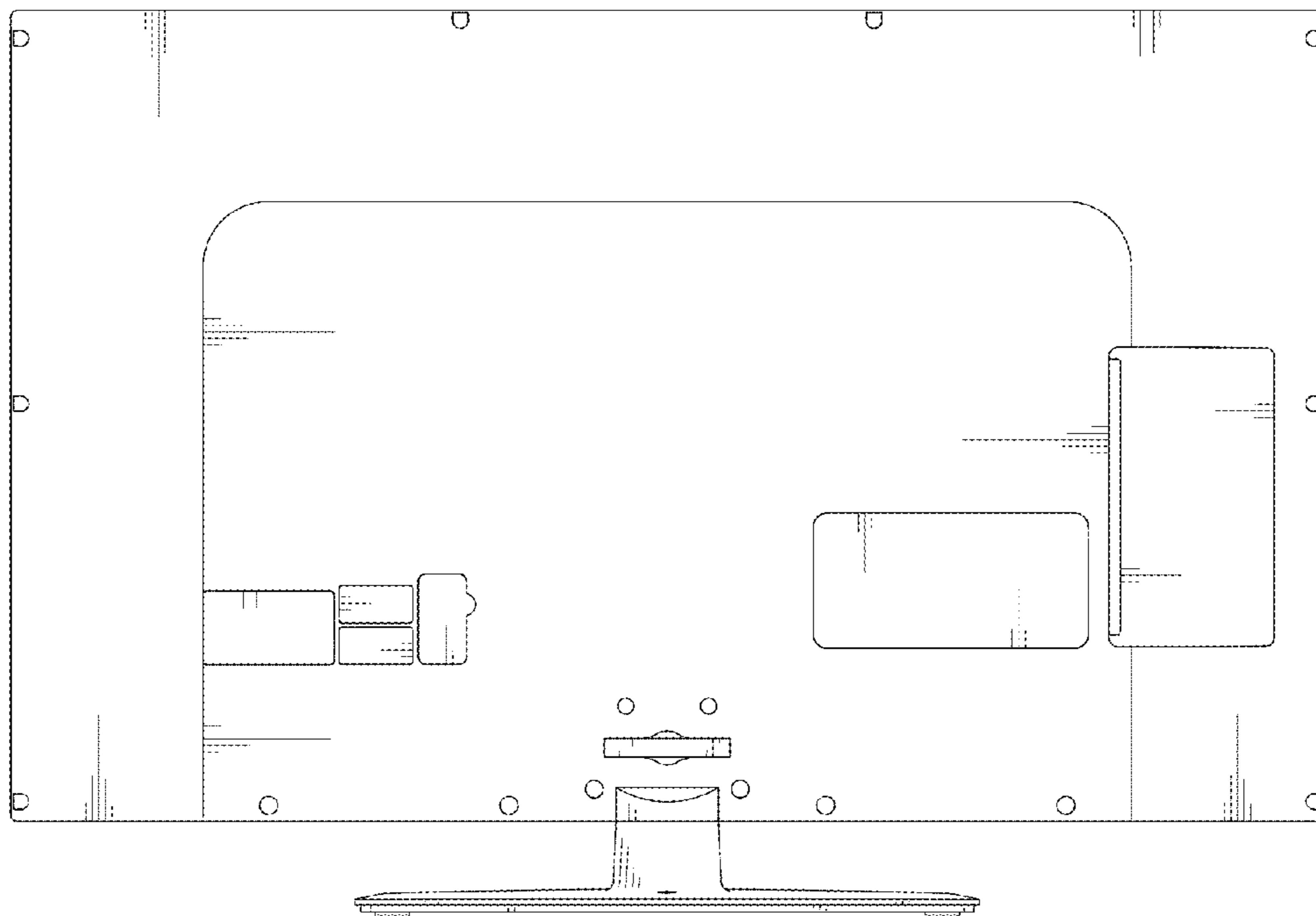


FIG. 4

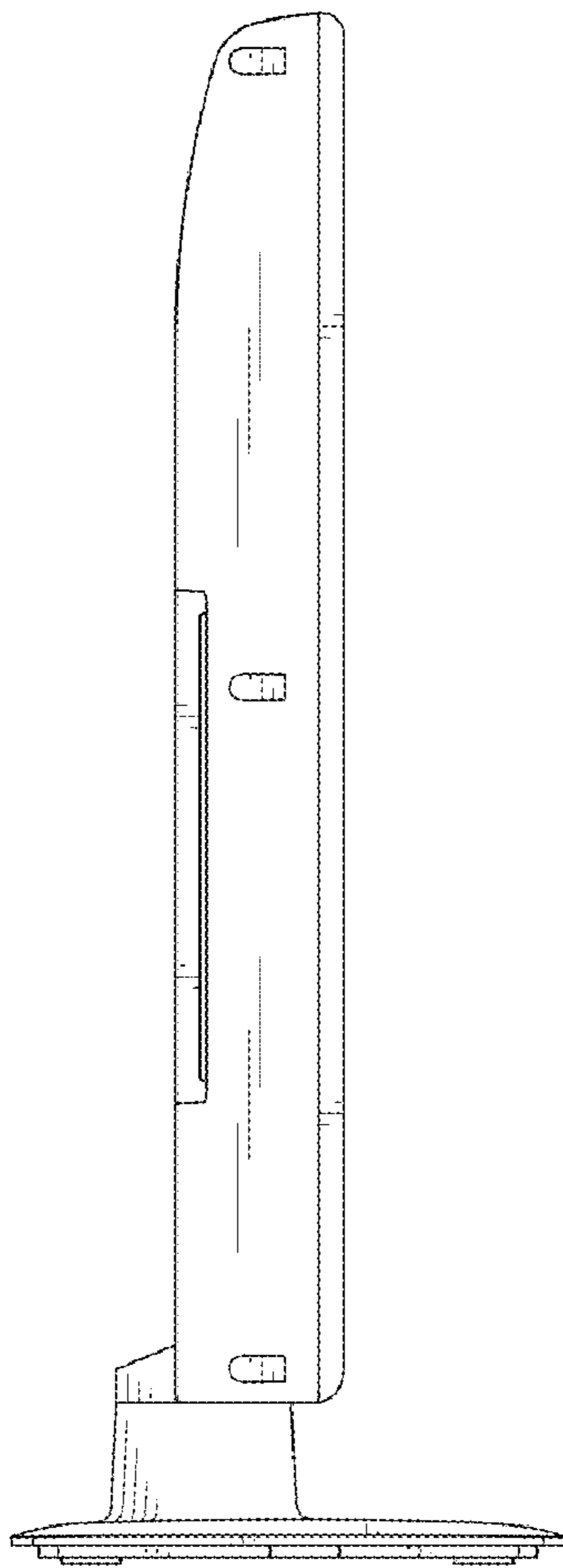


FIG. 5

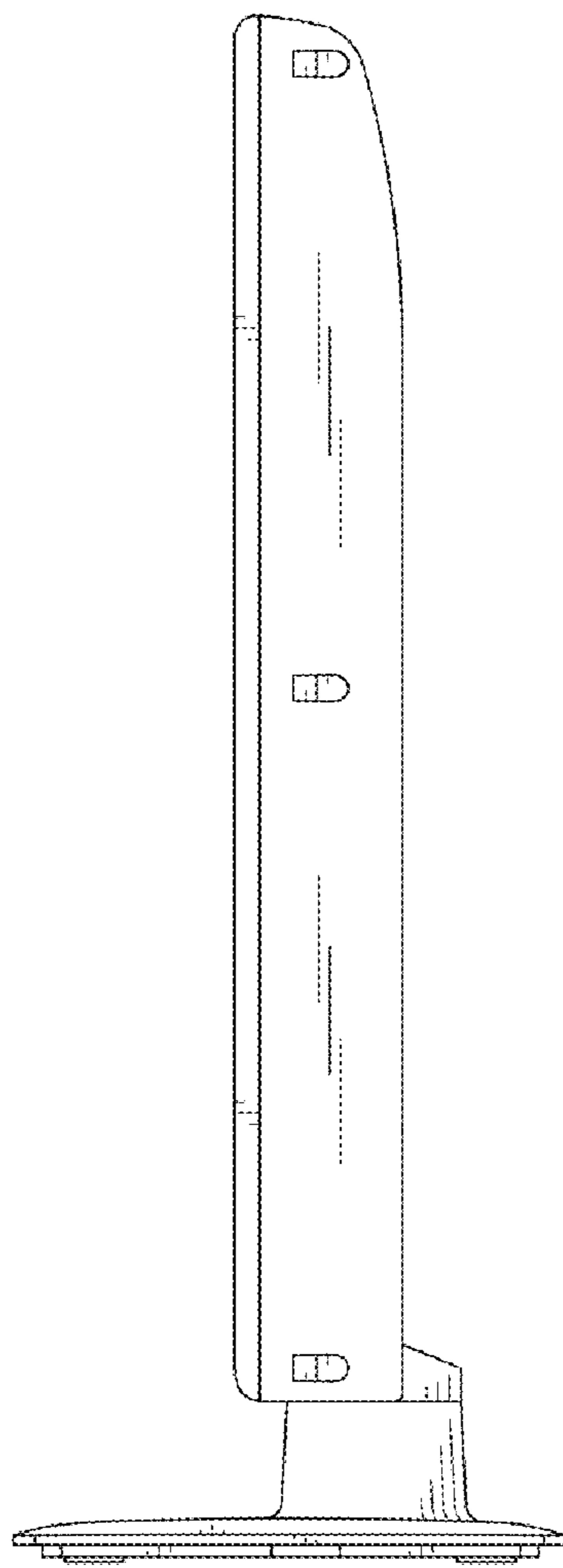


FIG. 6

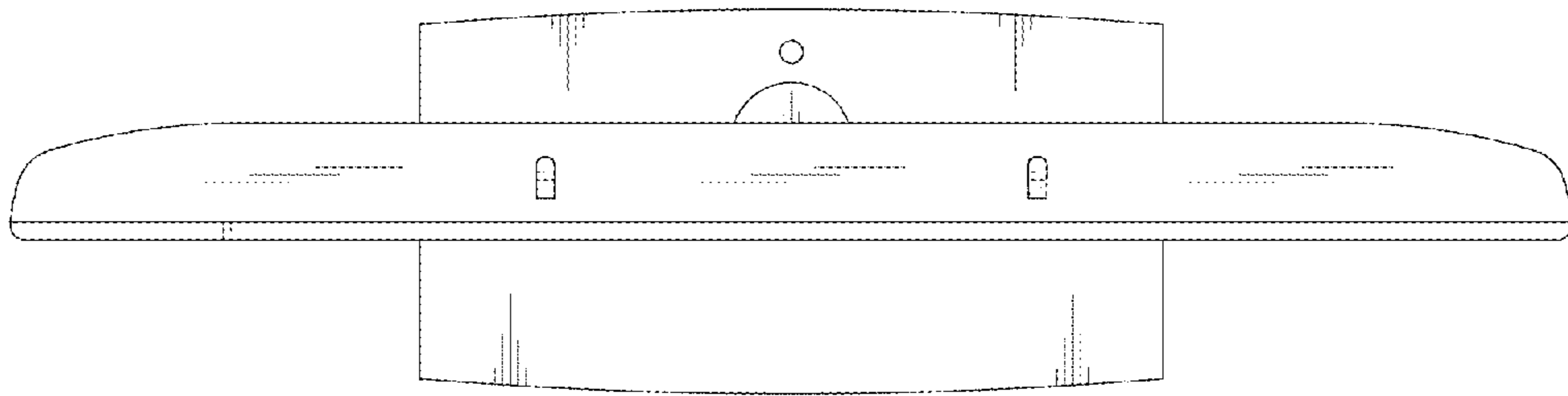


FIG. 7

