



US00D675173S

(12) **United States Design Patent**  
**Paradise et al.**

(10) **Patent No.:** **US D675,173 S**  
(45) **Date of Patent:** **\*\* Jan. 29, 2013**

(54) **MEDIA DEVICE**

(75) Inventors: **Michael F Paradise**, Chicago, IL (US);  
**David M Gargani**, Lansdale, PA (US)

(73) Assignee: **Motorola Mobility LLC**, Libertyville,  
IL (US)

(\*\*) Term: **14 Years**

(21) Appl. No.: **29/414,986**

(22) Filed: **Mar. 6, 2012**

(51) **LOC (9) Cl.** ..... **14-03**

(52) **U.S. Cl.** ..... **D14/125**

(58) **Field of Classification Search** ..... D14/125-134,  
D14/168, 188, 197, 198, 371, 374-377, 496;  
312/7.1, 7.2; 348/836, 838, 180, 184, 325,  
348/739; 341/12; 349/58; 720/600, 619,  
720/646, 647, 655; 455/347-351; 369/75.11,  
369/75.21

See application file for complete search history.

(56) **References Cited**

**U.S. PATENT DOCUMENTS**

D533,177 S *	12/2006	Andre et al.	.....	D14/314
D540,318 S *	4/2007	Wang	.....	D14/300
D571,351 S *	6/2008	Sogabe	.....	D14/168
D580,933 S *	11/2008	Ju et al.	.....	D14/358
D596,626 S *	7/2009	Andre et al.	.....	D14/240
D620,953 S	8/2010	Andre et al.		
D621,397 S *	8/2010	Andre et al.	.....	D14/314
D641,327 S *	7/2011	Falakfarsa et al.	.....	D14/125
D648,293 S *	11/2011	Kim et al.	.....	D14/125
D651,994 S *	1/2012	Lundbom et al.	.....	D14/125
D660,834 S *	5/2012	Akana et al.	.....	D14/314

\* cited by examiner

*Primary Examiner* — Raphael Barkai  
*Assistant Examiner* — Randall Gholson

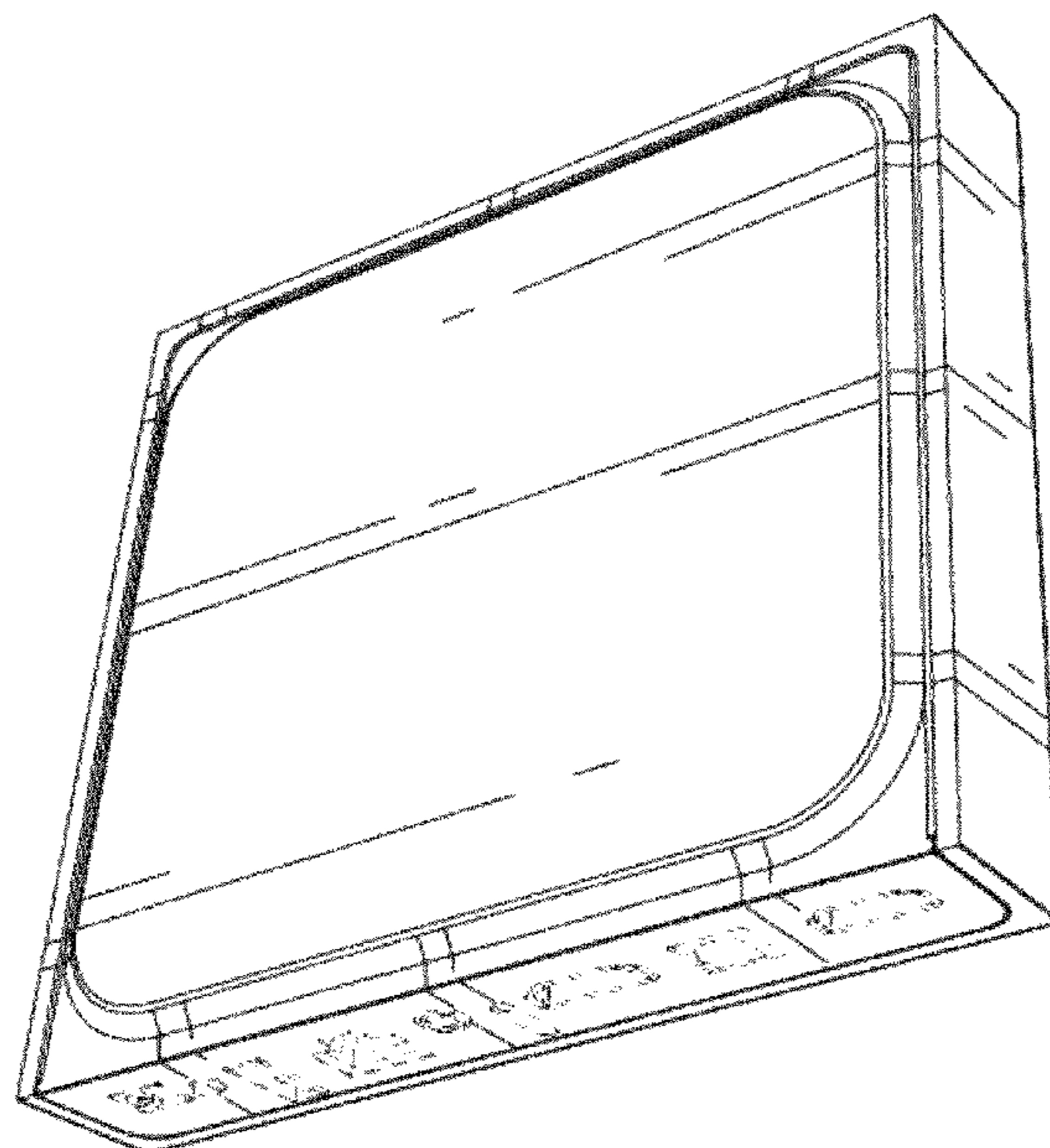
(57) **CLAIM**

The ornamental design for a media device, as shown and described.

**DESCRIPTION**

FIG. 1 is a rear perspective view of a first embodiment of an ornamental design for a media device;  
FIG. 2 is a front perspective view of the first embodiment thereof;  
FIG. 3 is a rear view of the first embodiment thereof;  
FIG. 4 is a front view of the first embodiment thereof;  
FIG. 5 is a first side view of the first embodiment thereof;  
FIG. 6 is a second side view of the first embodiment thereof;  
FIG. 7 is a top view of the first embodiment thereof; and  
FIG. 8 is a bottom view of the first embodiment thereof.  
FIG. 9 is a rear perspective view of a second embodiment of an ornamental design for a media device;  
FIG. 10 is a front perspective view of the second embodiment thereof;  
FIG. 11 is a rear view of the second embodiment thereof;  
FIG. 12 is a front view of the second embodiment thereof;  
FIG. 13 is a first side view of the second embodiment thereof;  
FIG. 14 is a second side view of the second embodiment thereof;  
FIG. 15 is a top view of the second embodiment thereof; and  
FIG. 16 is a bottom view of the second embodiment thereof.  
The broken lines shown in FIGS. 1-8, that are immediately adjacent to the shaded areas, and define unshaded regions, represent the bounds of the first embodiment, while all other broken lines are directed to environment and are for illustrative purposes only; the broken lines form no part of the first embodiment.

**1 Claim, 10 Drawing Sheets**



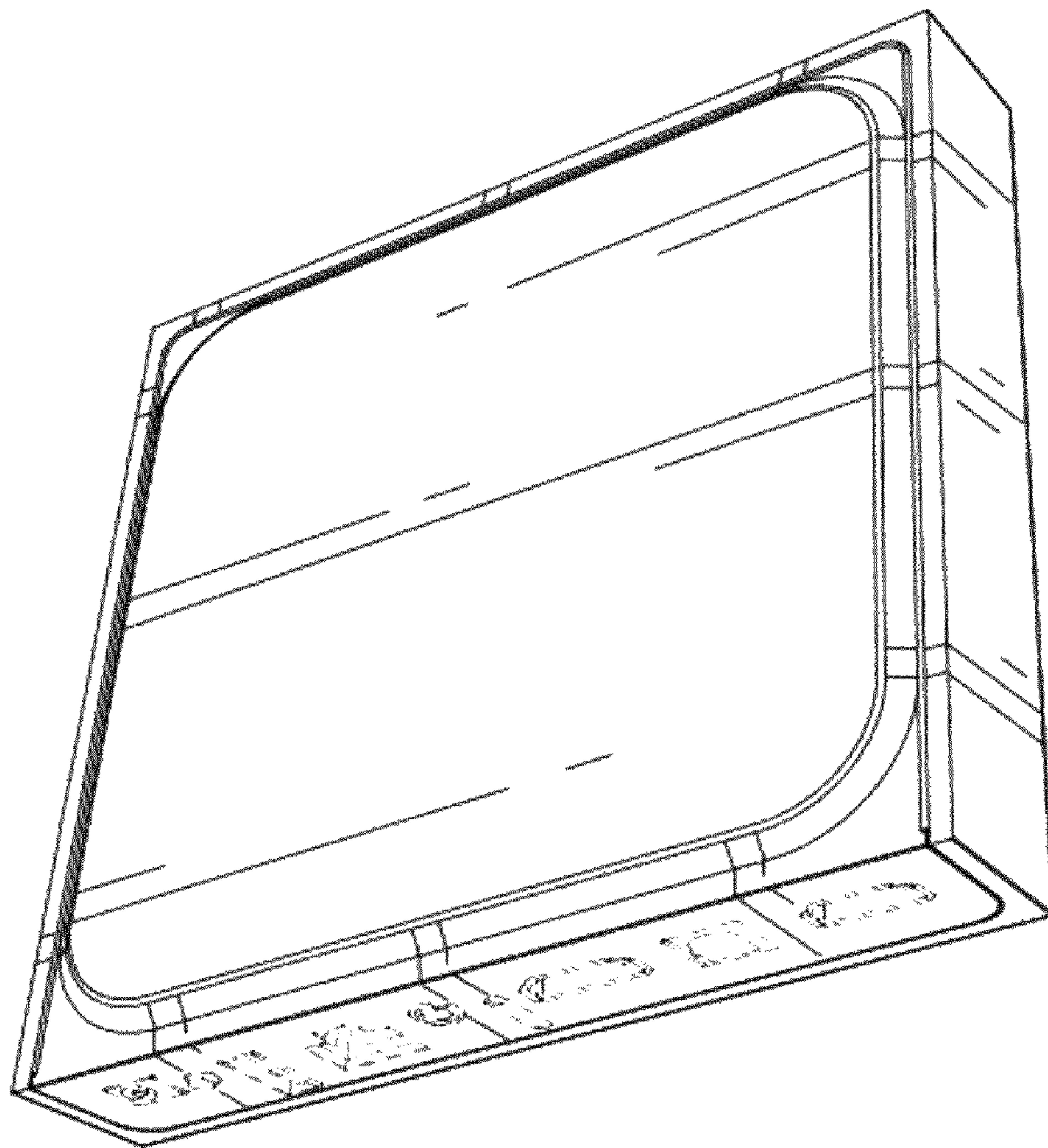


FIG. 1

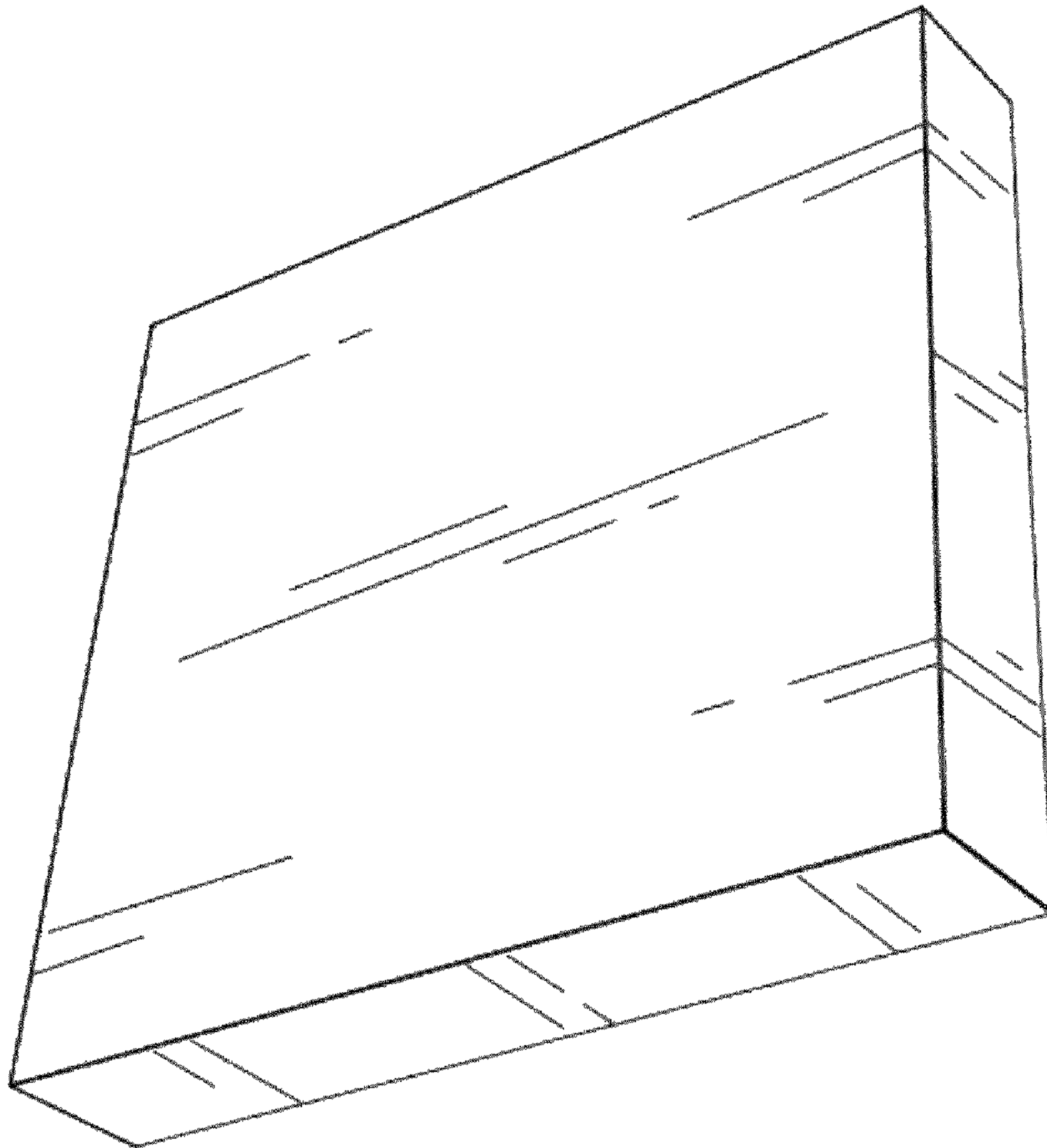


FIG. 2

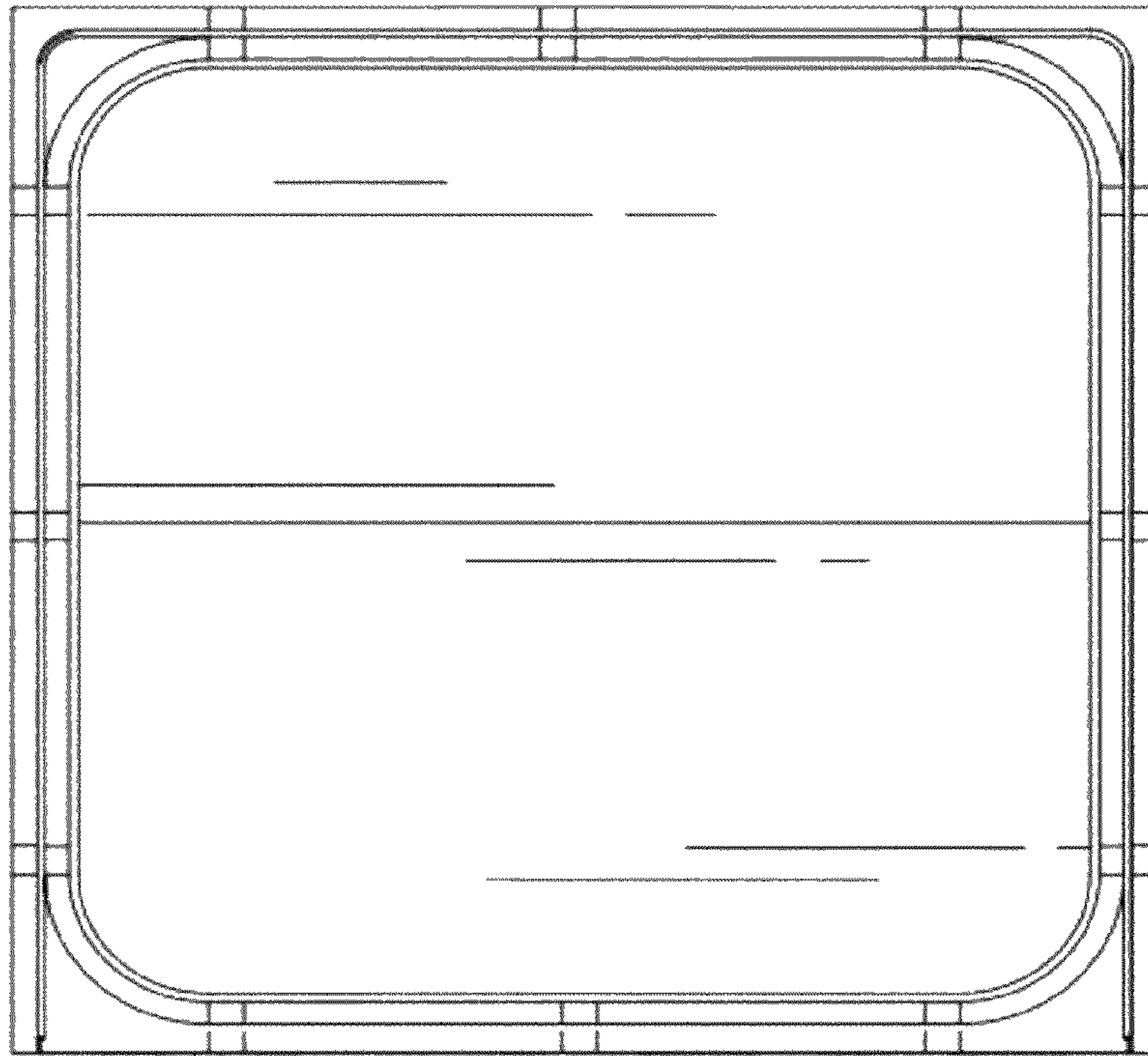


FIG. 3

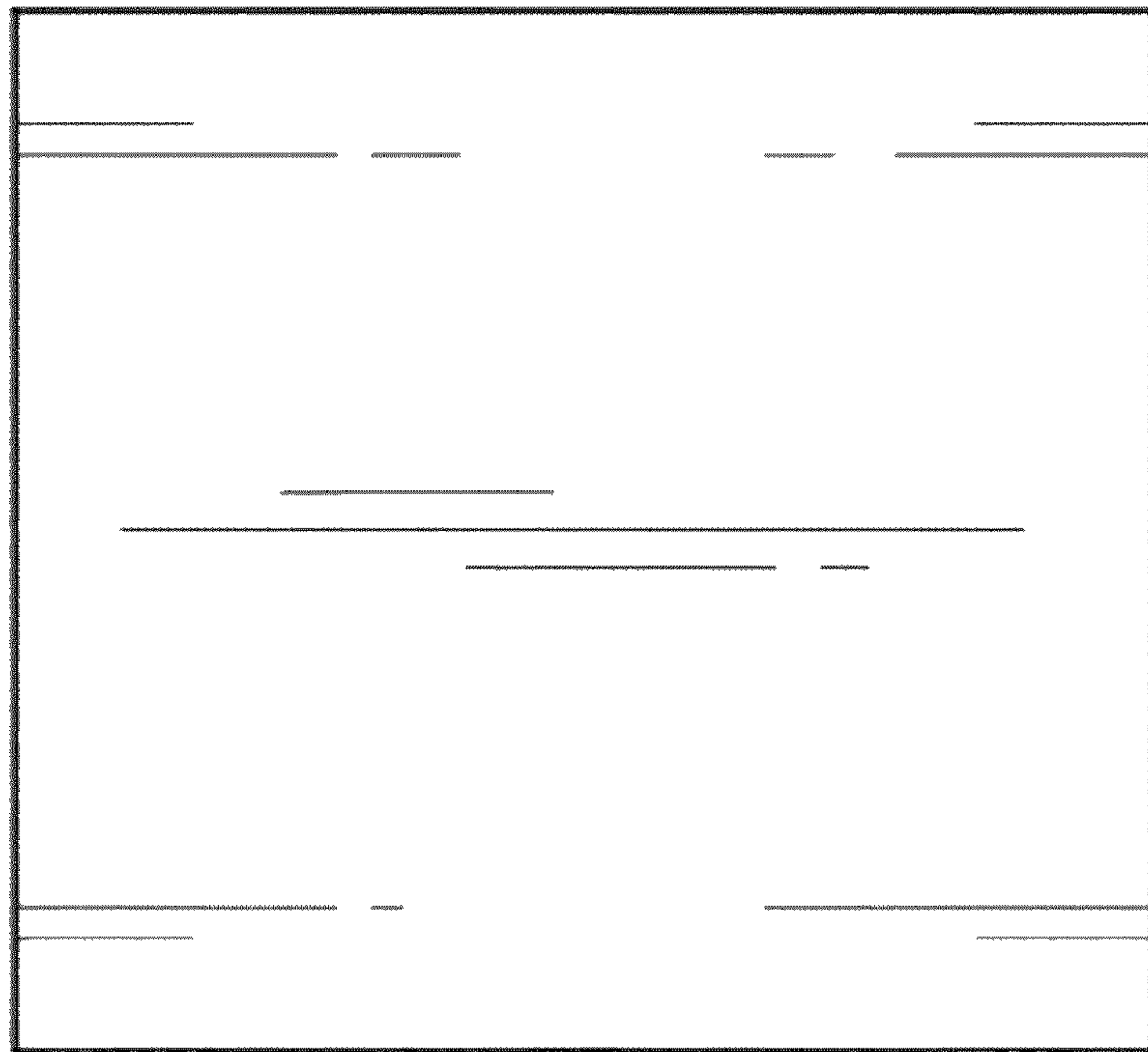


FIG. 4

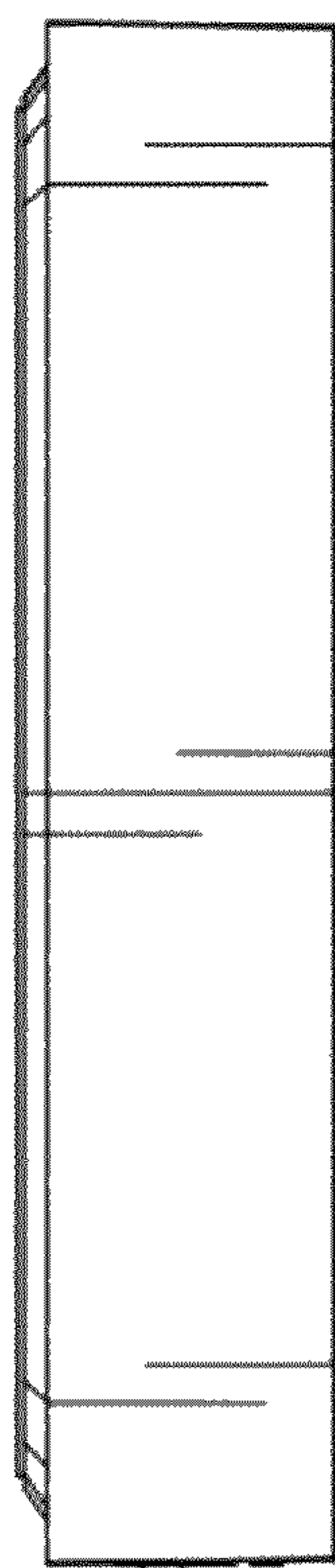


FIG. 5

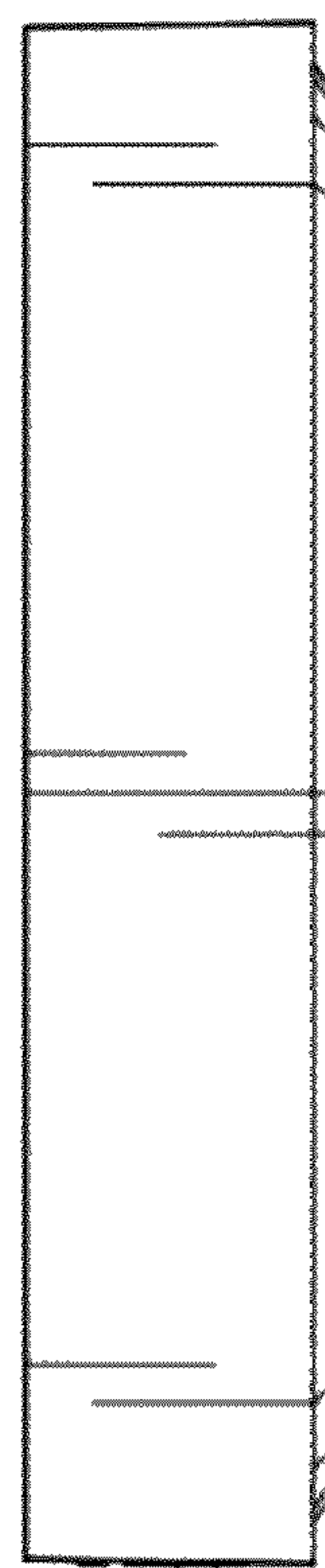


FIG. 6

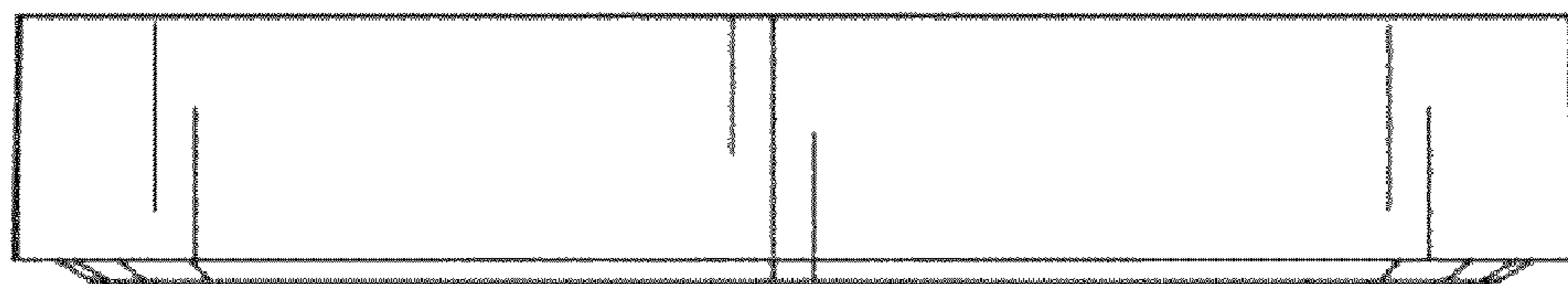


FIG. 7

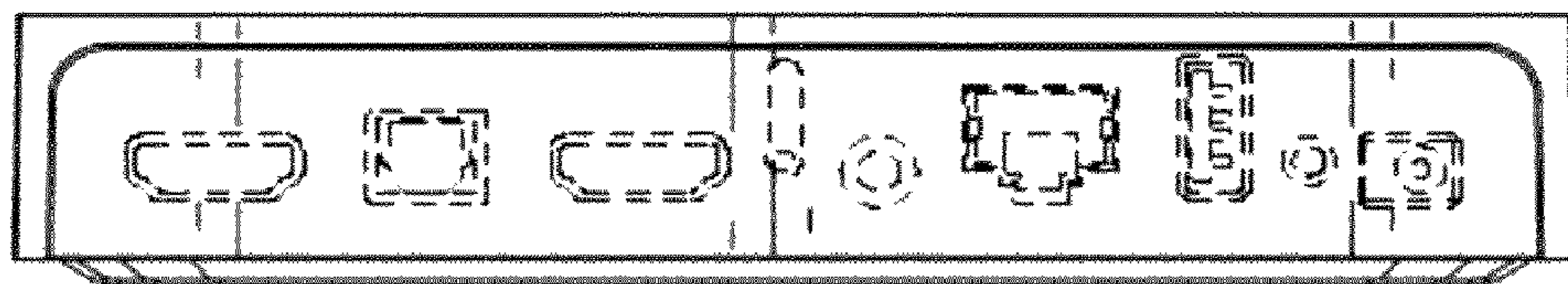


FIG. 8

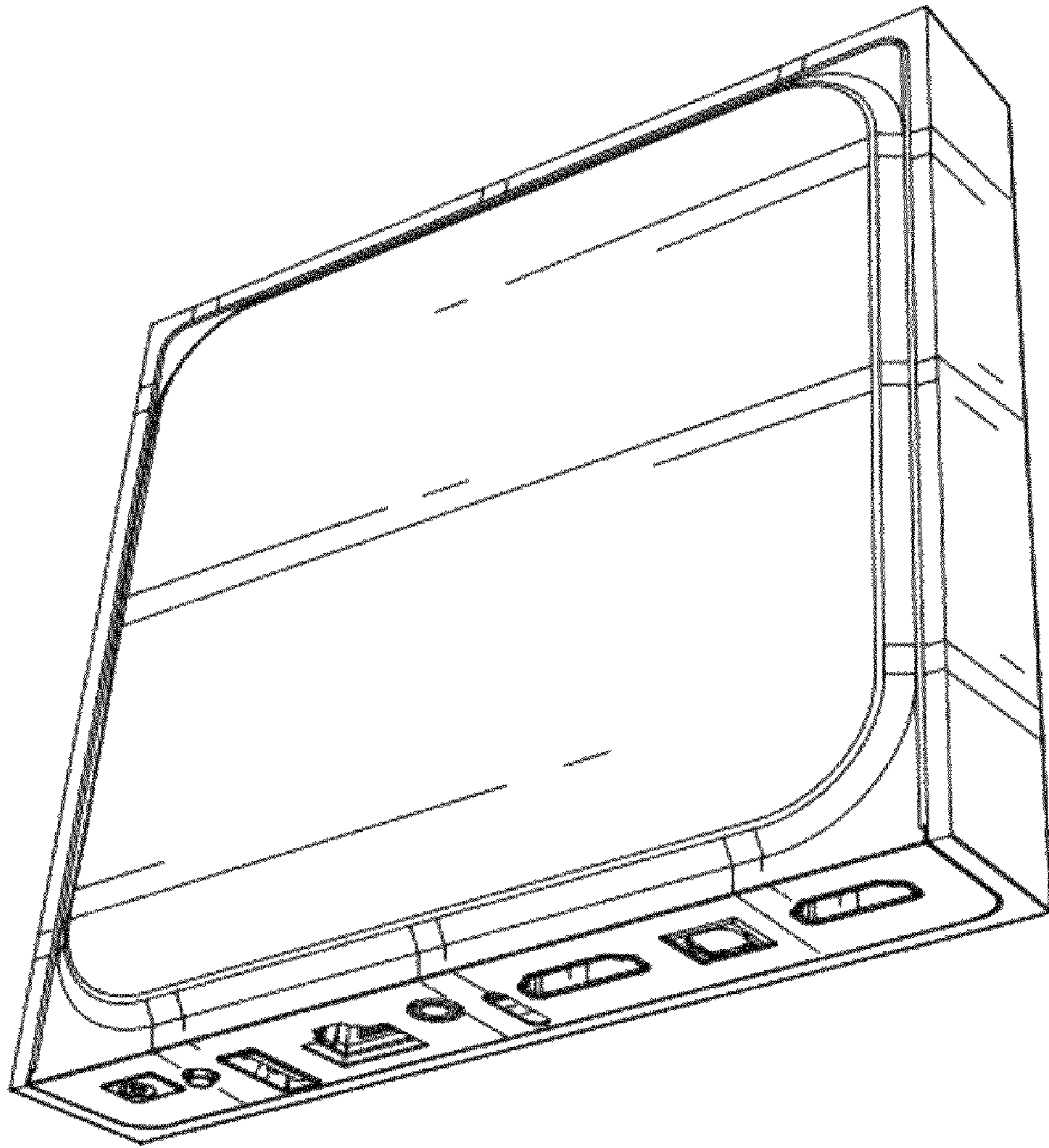


FIG. 9

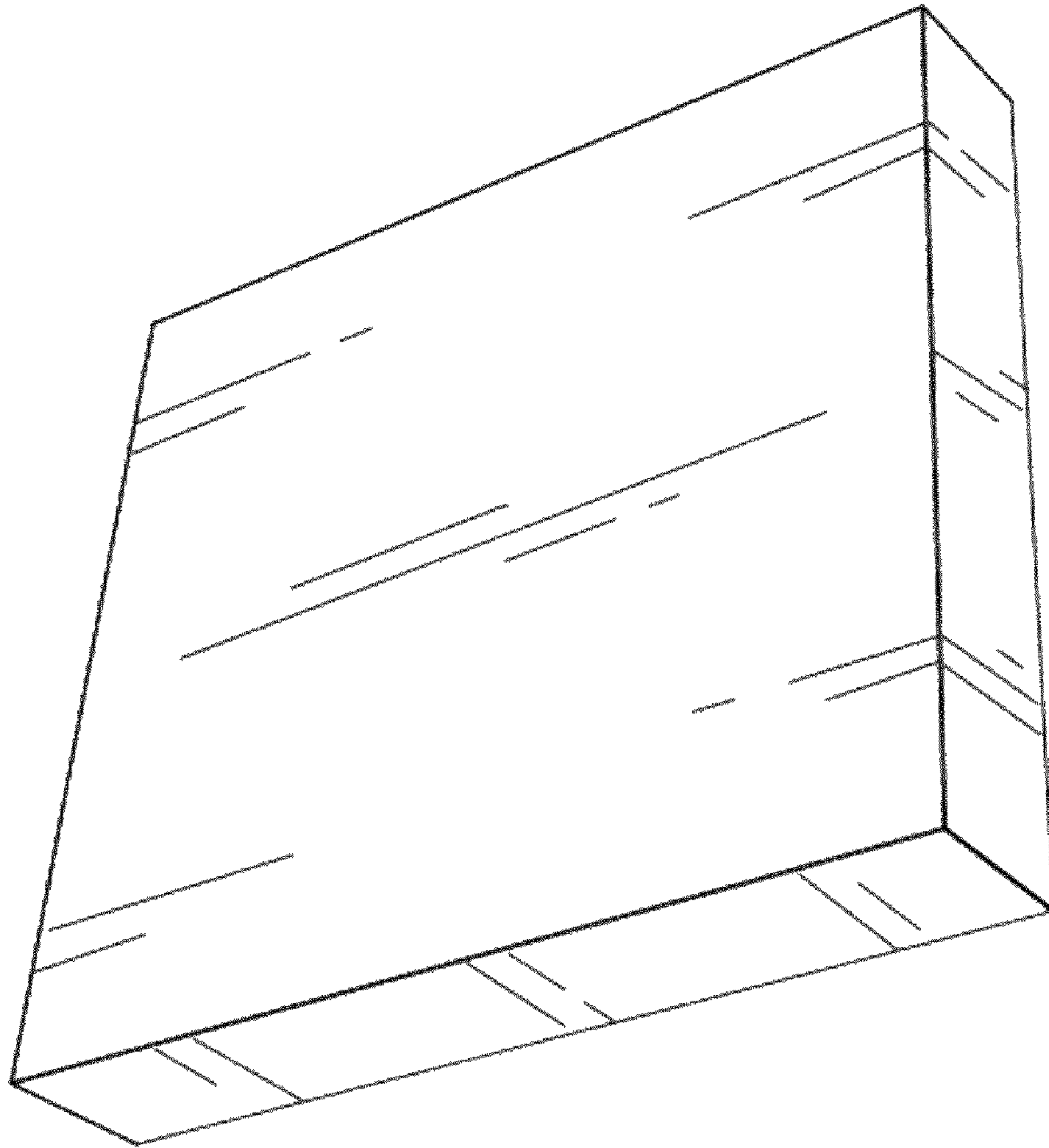


FIG. 10



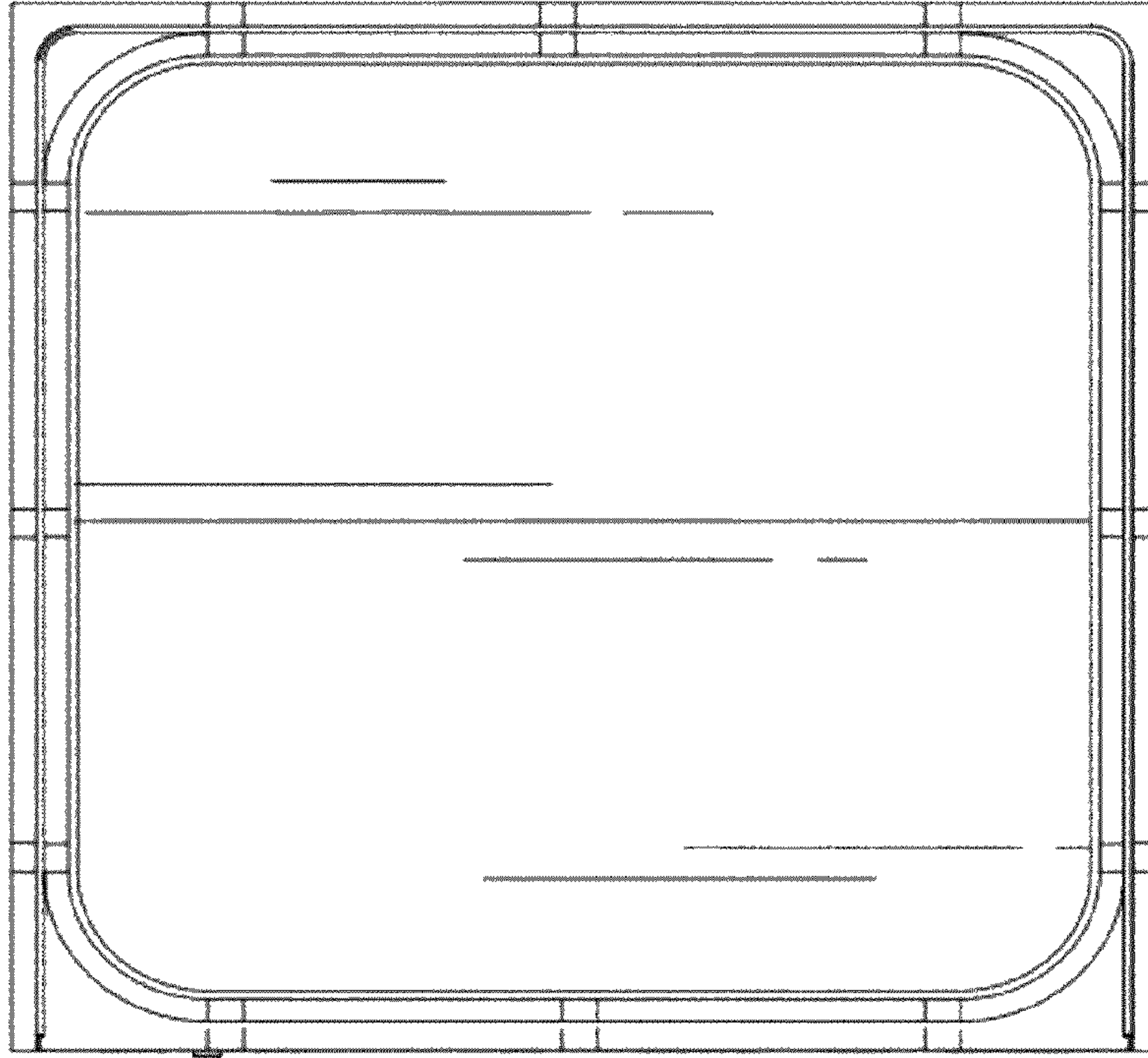


FIG. 11

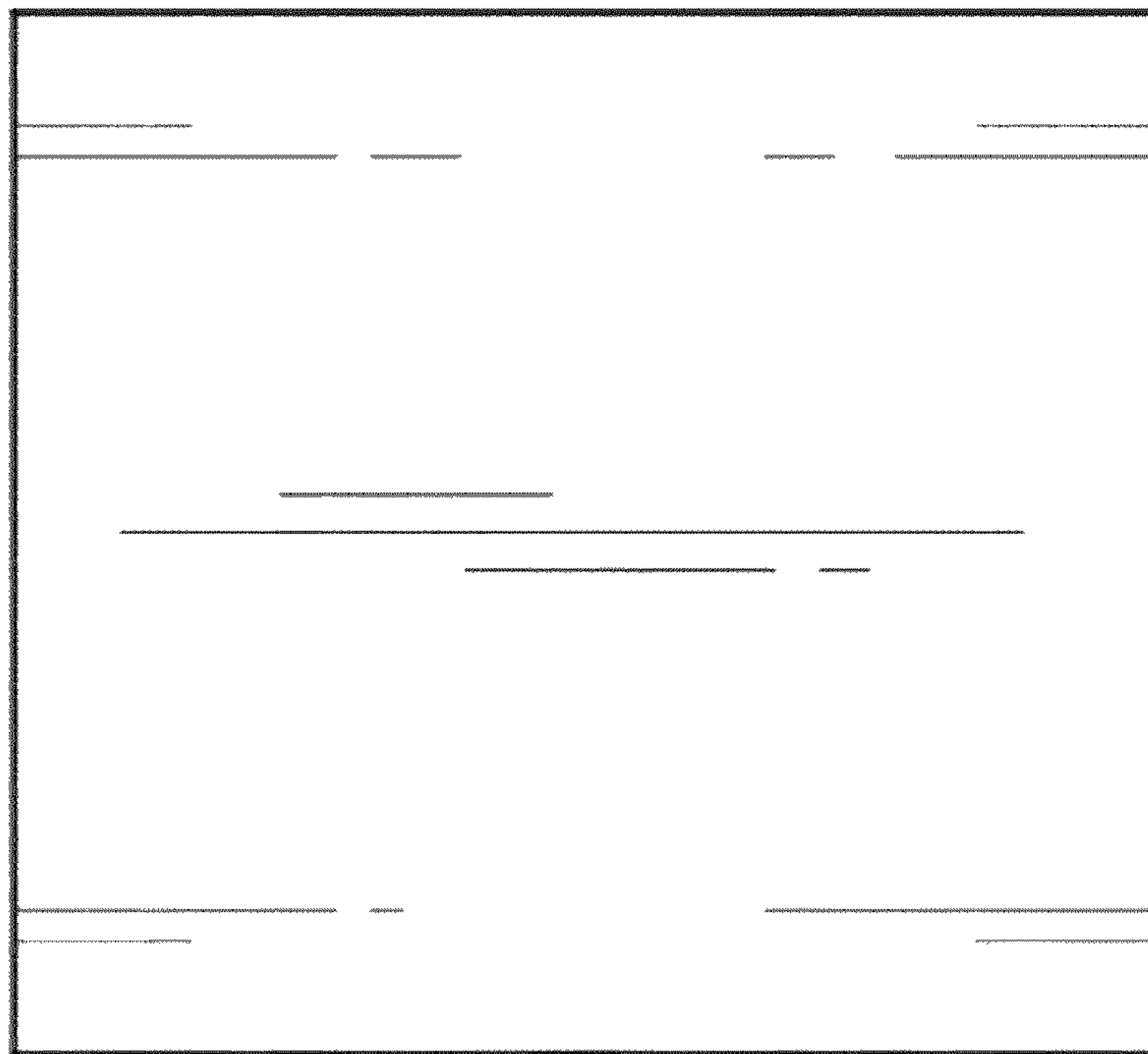


FIG. 12

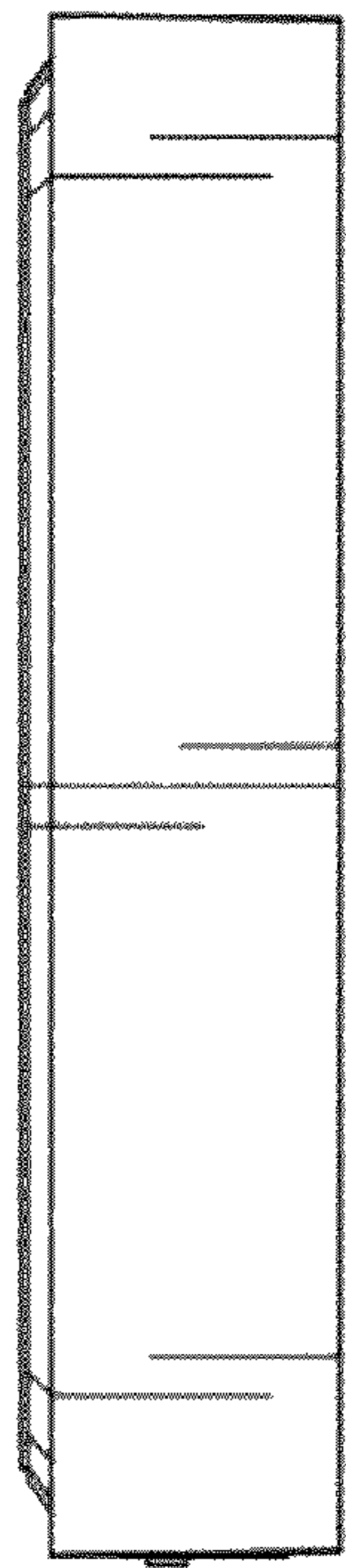


FIG. 13

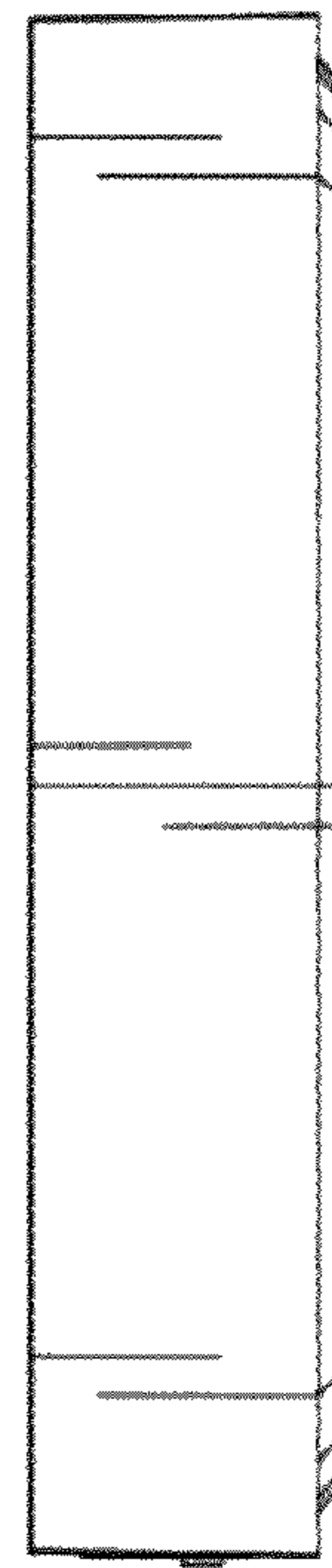


FIG. 14

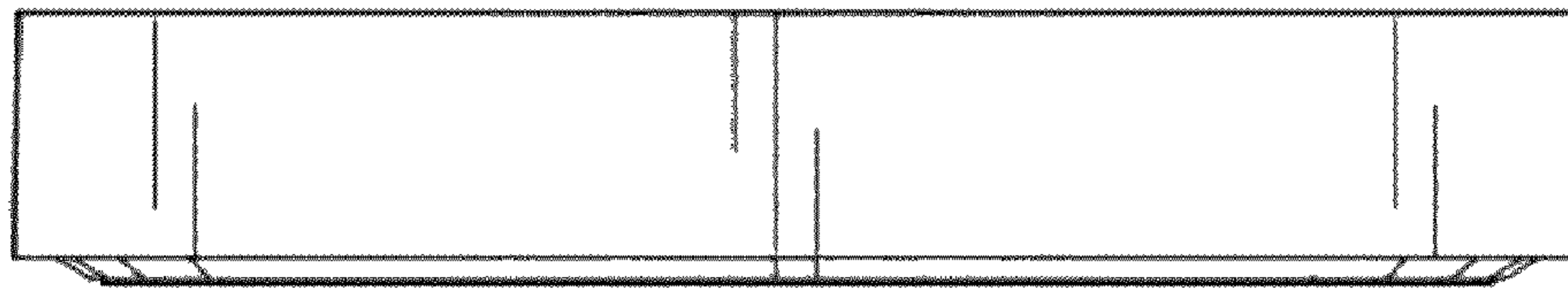


FIG. 15

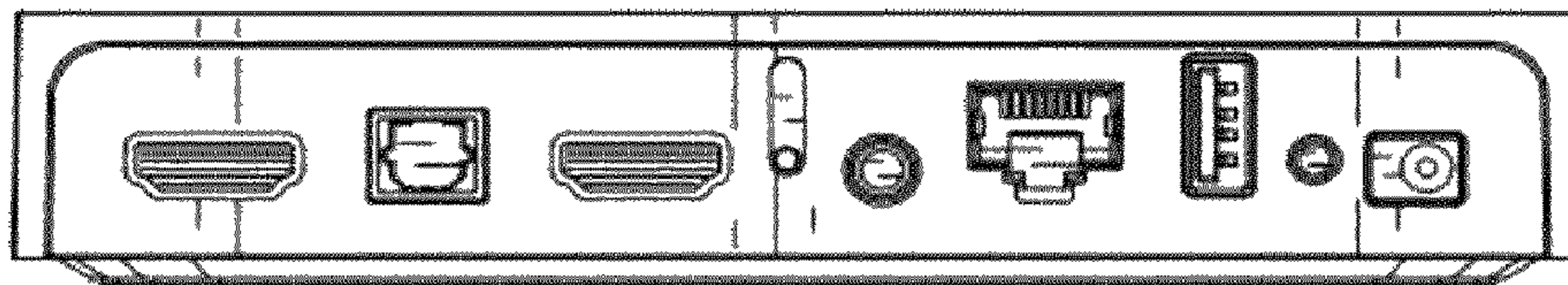


FIG. 16