



US00D675172S

(12) **United States Design Patent**
Tiner

(10) **Patent No.:** **US D675,172 S**

(45) **Date of Patent:** **** Jan. 29, 2013**

(54) **SUBSTRATE SUPPORT**

(75) Inventor: **Robin L. Tiner**, Santa Cruz, CA (US)

(73) Assignee: **Applied Materials, Inc.**, Santa Clara, CA (US)

(**) Term: **14 Years**

(21) Appl. No.: **29/379,881**

(22) Filed: **Nov. 24, 2010**

Primary Examiner — T. Chase Nelson

Assistant Examiner — Ania Aman

(74) *Attorney, Agent, or Firm* — Patterson & Sheridan, LLP

(57) **CLAIM**

The ornamental design for a substrate support, as shown and described.

Related U.S. Application Data

(63) Continuation of application No. 29/327,949, filed on Nov. 14, 2008, now abandoned.

(51) **LOC (9) Cl.** **13-99**

(52) **U.S. Cl.** **D13/199**

(58) **Field of Classification Search** D23/328;
D13/199, 182; 438/6, 67, 107, 149
See application file for complete search history.

(56) **References Cited**

U.S. PATENT DOCUMENTS

5,844,205	A *	12/1998	White et al.	219/390
5,846,375	A *	12/1998	Gilchrist et al.	156/345.52
6,035,101	A *	3/2000	Sajoto et al.	392/416
6,231,674	B1 *	5/2001	Chen et al.	118/720
2002/0066726	A1 *	6/2002	Cole et al.	219/444.1
2005/0067102	A1 *	3/2005	Baldwin et al.	156/345.24
2006/0118243	A1 *	6/2006	Choi	156/345.51
2008/0035306	A1 *	2/2008	White et al.	165/61
2011/0120325	A1 *	5/2011	Klauser et al.	101/126

* cited by examiner

DESCRIPTION

FIG. 1 is a top view of the substrate support.

FIG. 2 is a side view of the substrate support.

FIG. 3 is a bottom view of the substrate support.

FIG. 4 is a side view of the substrate support.

FIG. 5 is a detailed view of FIG. 1.

FIG. 6 is a detailed view of FIG. 1.

FIG. 7 is a detailed view of FIG. 1.

FIG. 8 is a detailed view of FIG. 3.

FIG. 9 is a detailed view of FIG. 3.

FIG. 10 is a detailed view of FIG. 3.

FIG. 11 is a detailed view of FIG. 3.

FIG. 12 is a detailed view of FIG. 1.

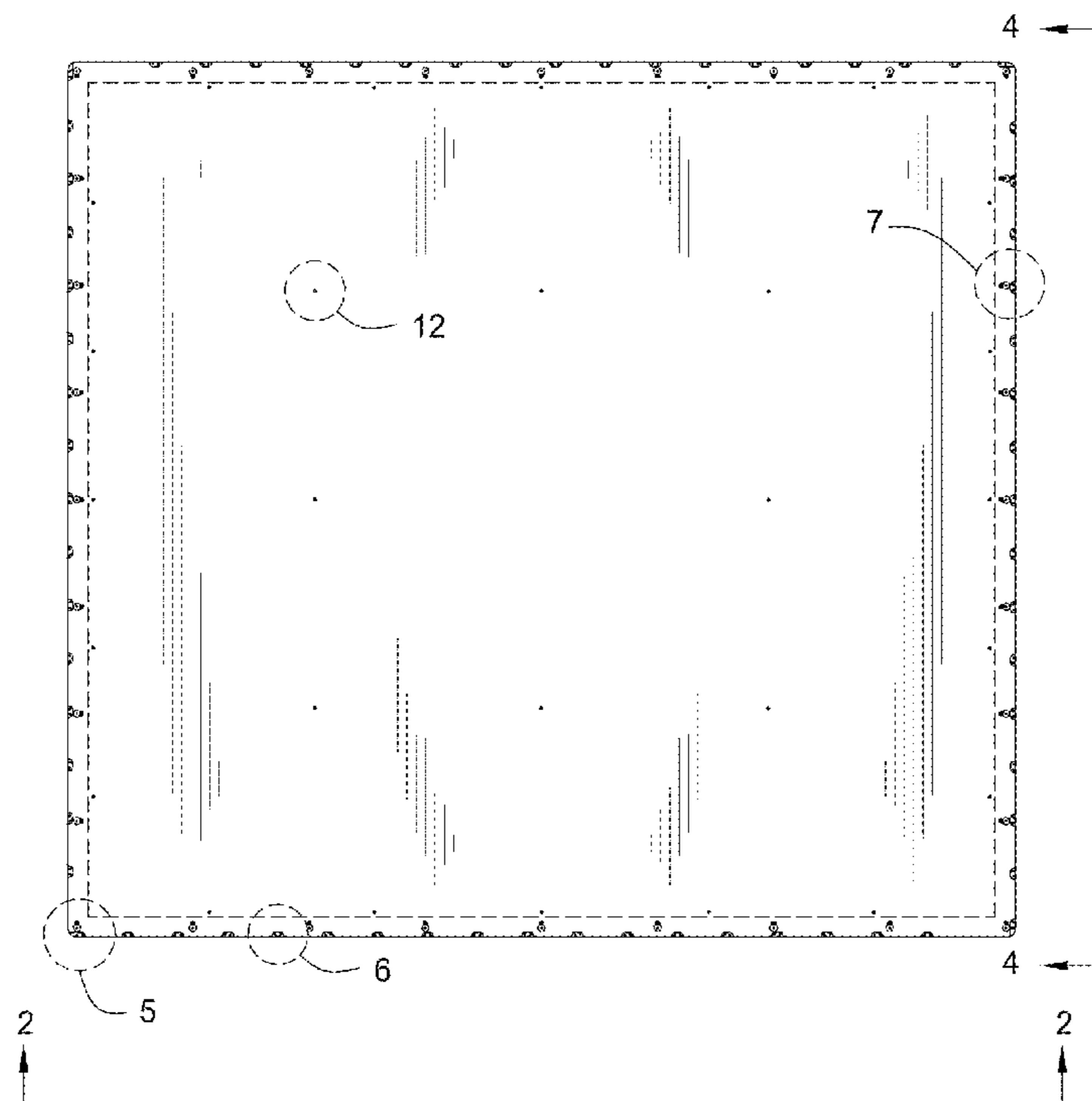
FIG. 13 is a detailed view of FIG. 3.

FIG. 14 is a detailed view of FIG. 3; and,

FIG. 15 is a detailed view of FIG. 3.

Excepting the details along the perimeter edges of the design in FIGS. 1, 2, and 4, the remainders of the details in FIGS. 1 through 4 are in broken lines as represented in FIGS. 5 through 15, and form no part of the claimed design.

1 Claim, 5 Drawing Sheets



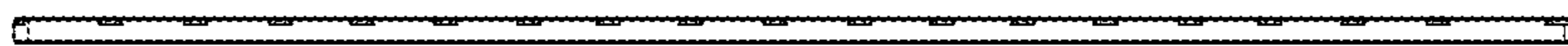
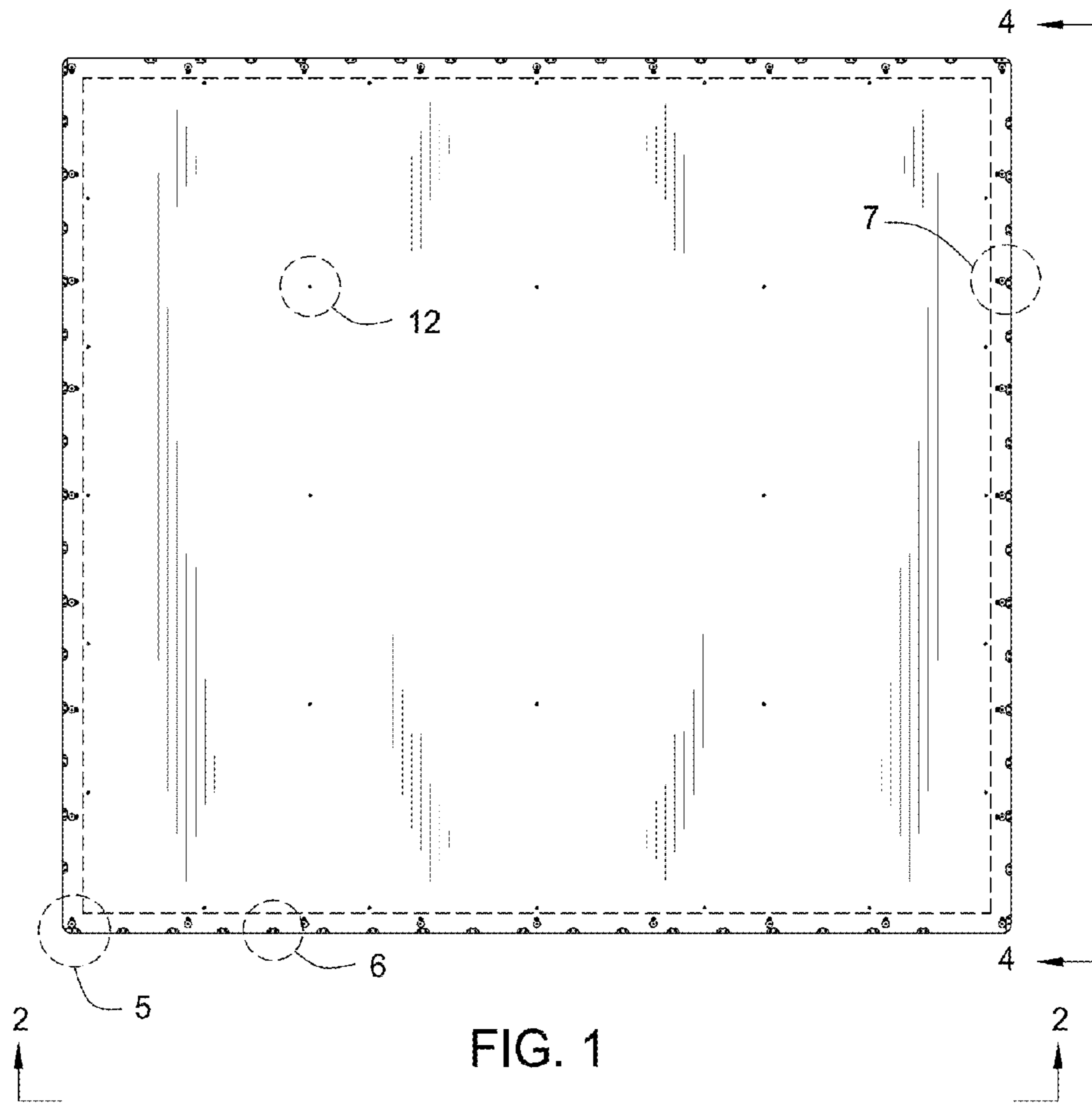


FIG. 2

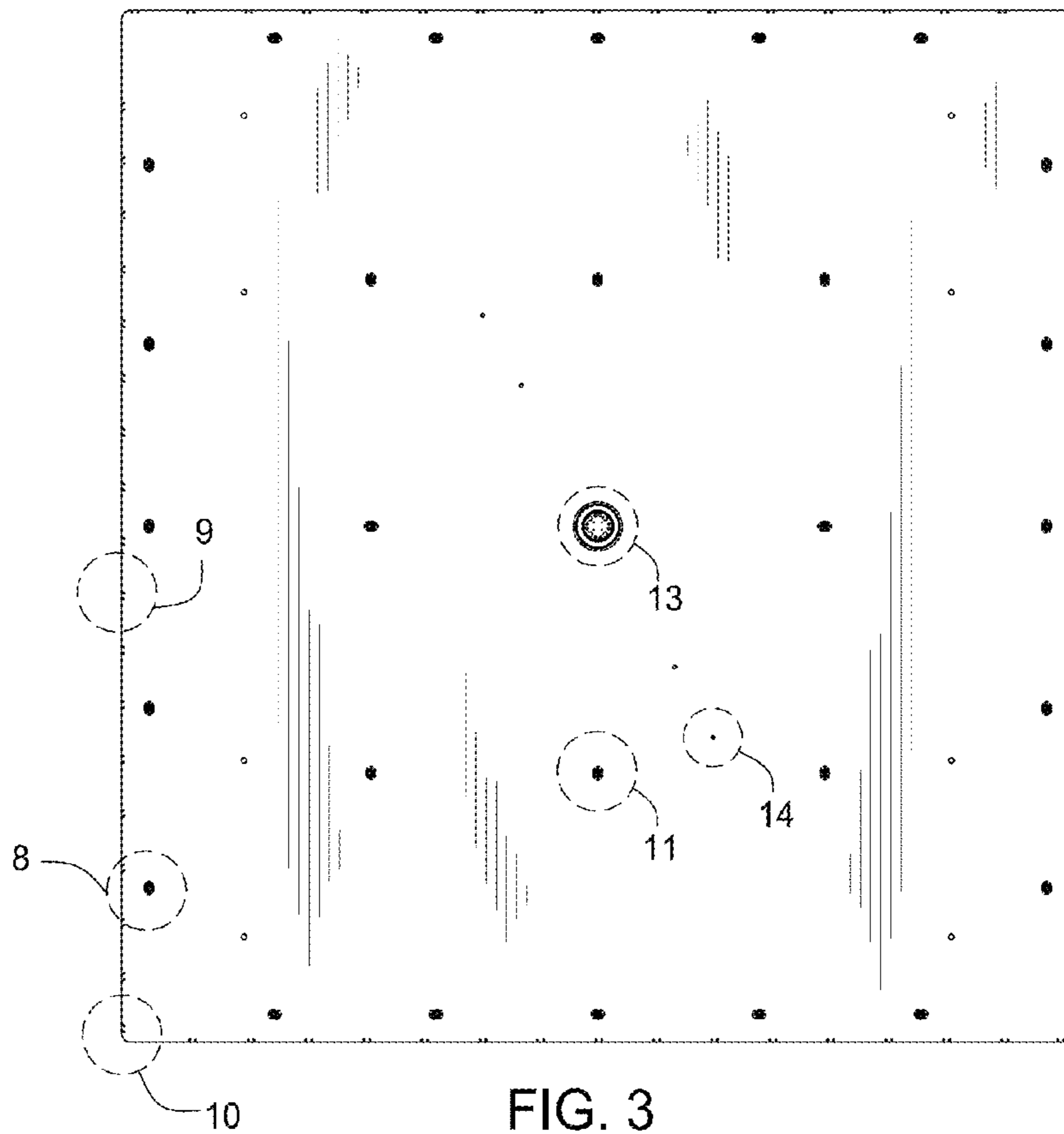


FIG. 3



FIG. 4

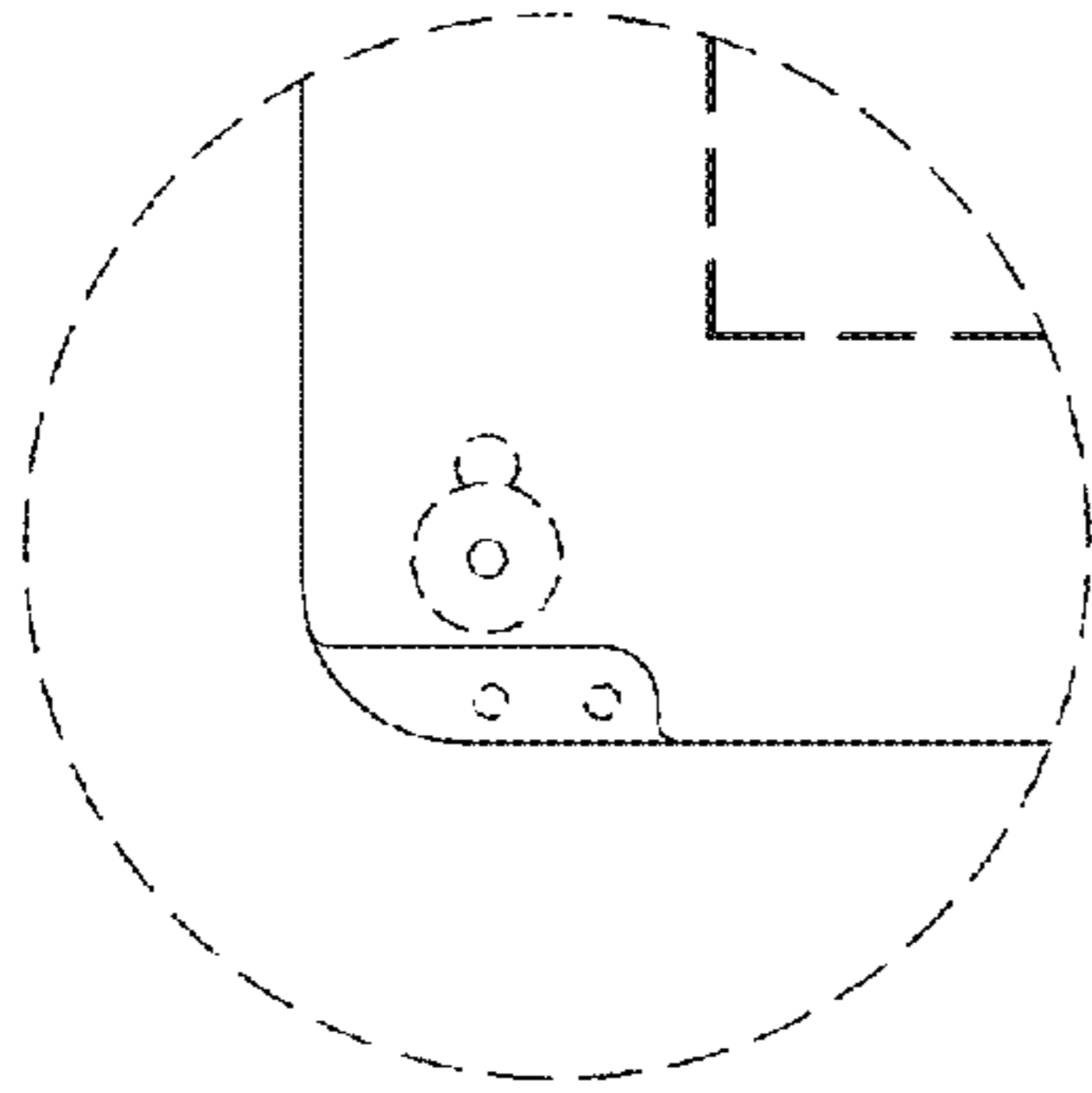


FIG. 5

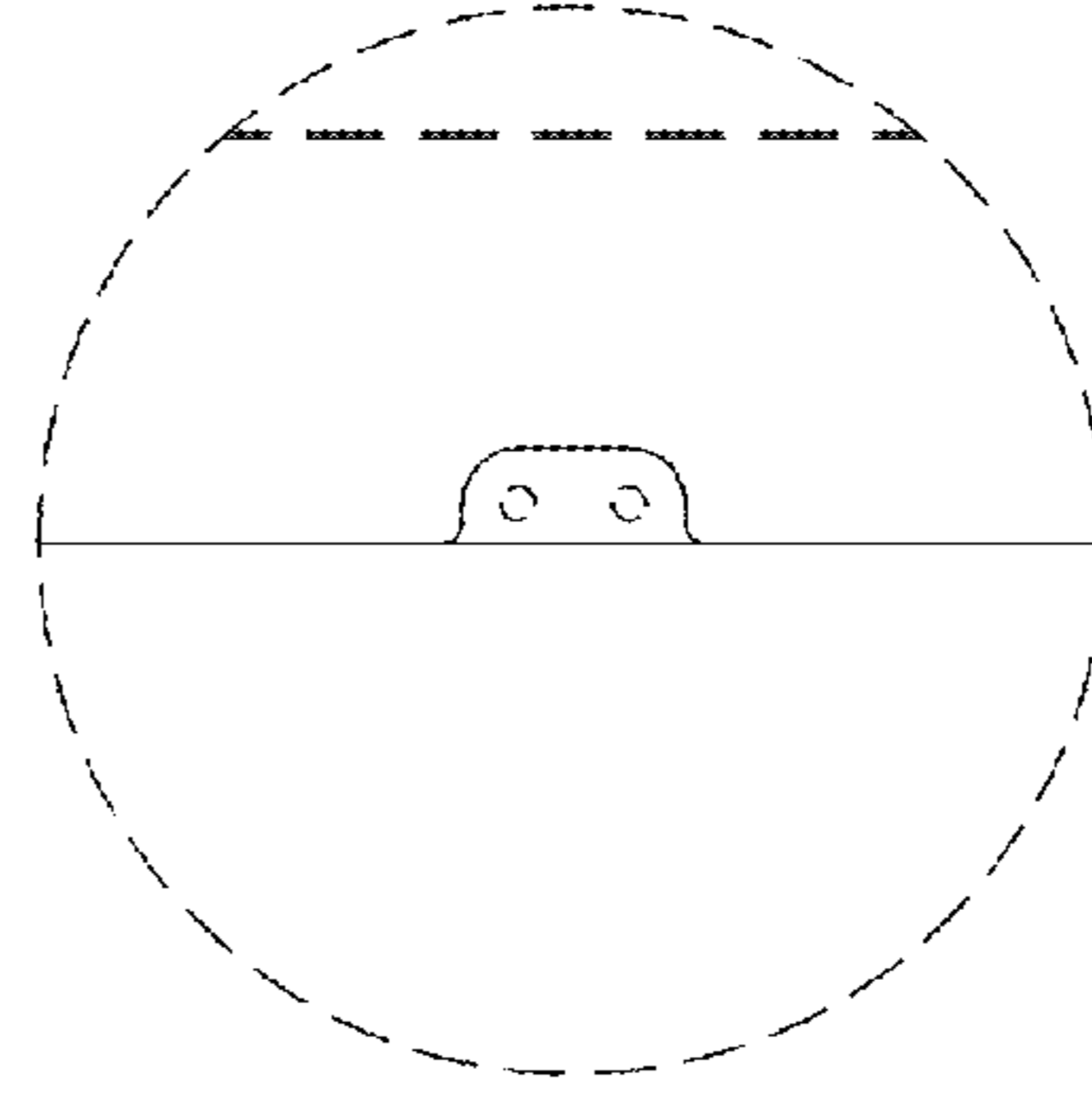


FIG. 6

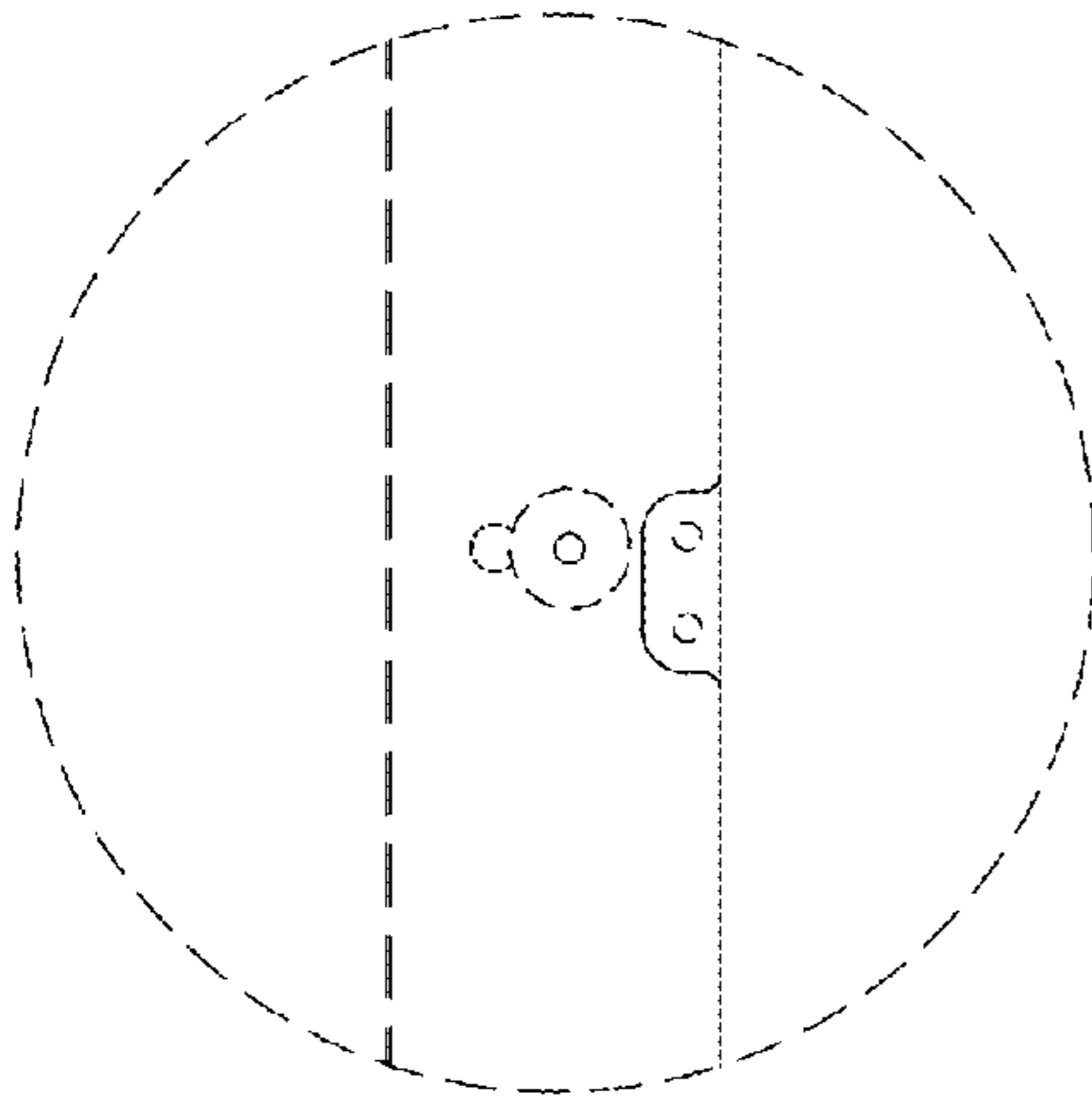


FIG. 7

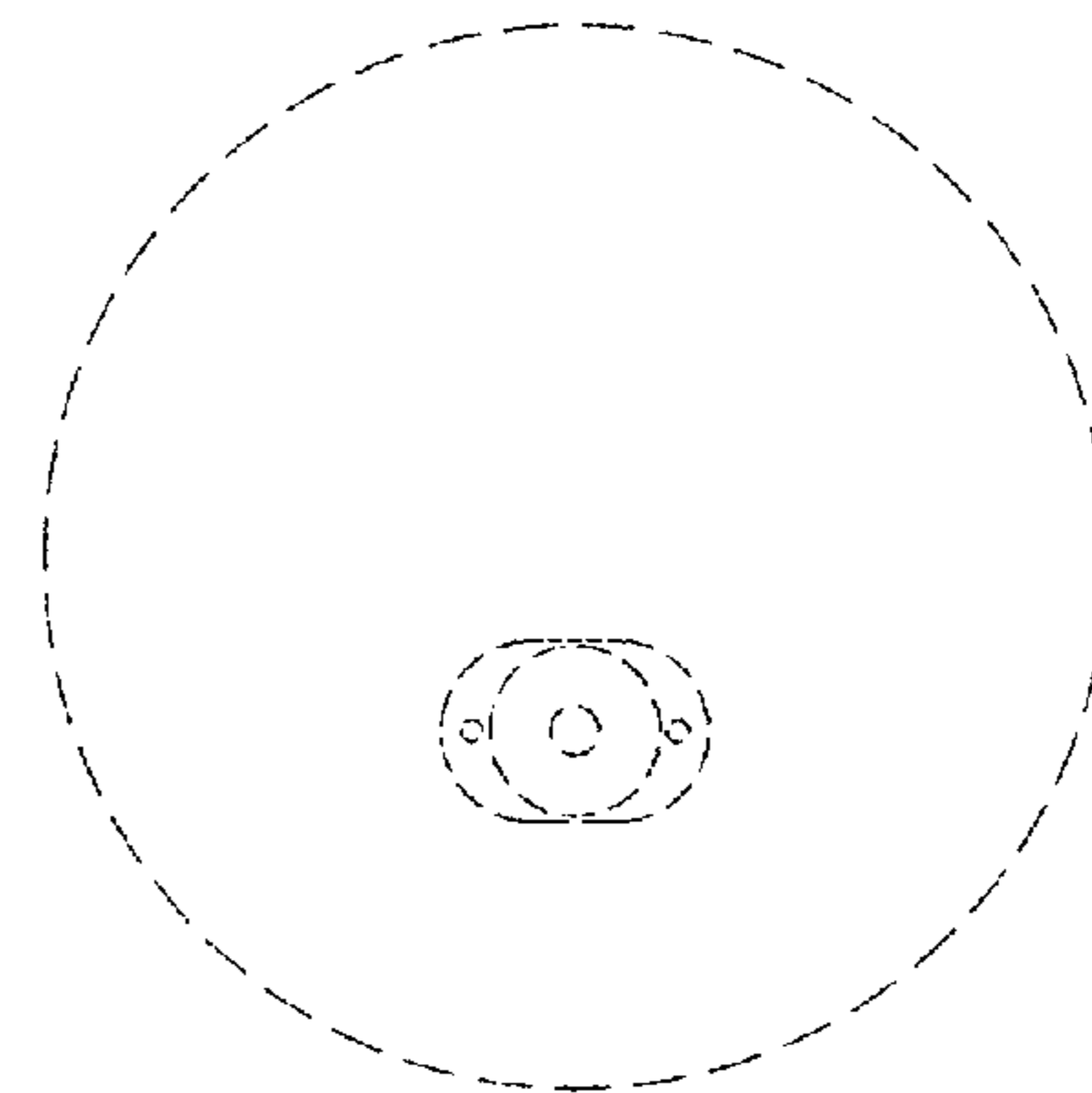


FIG. 8

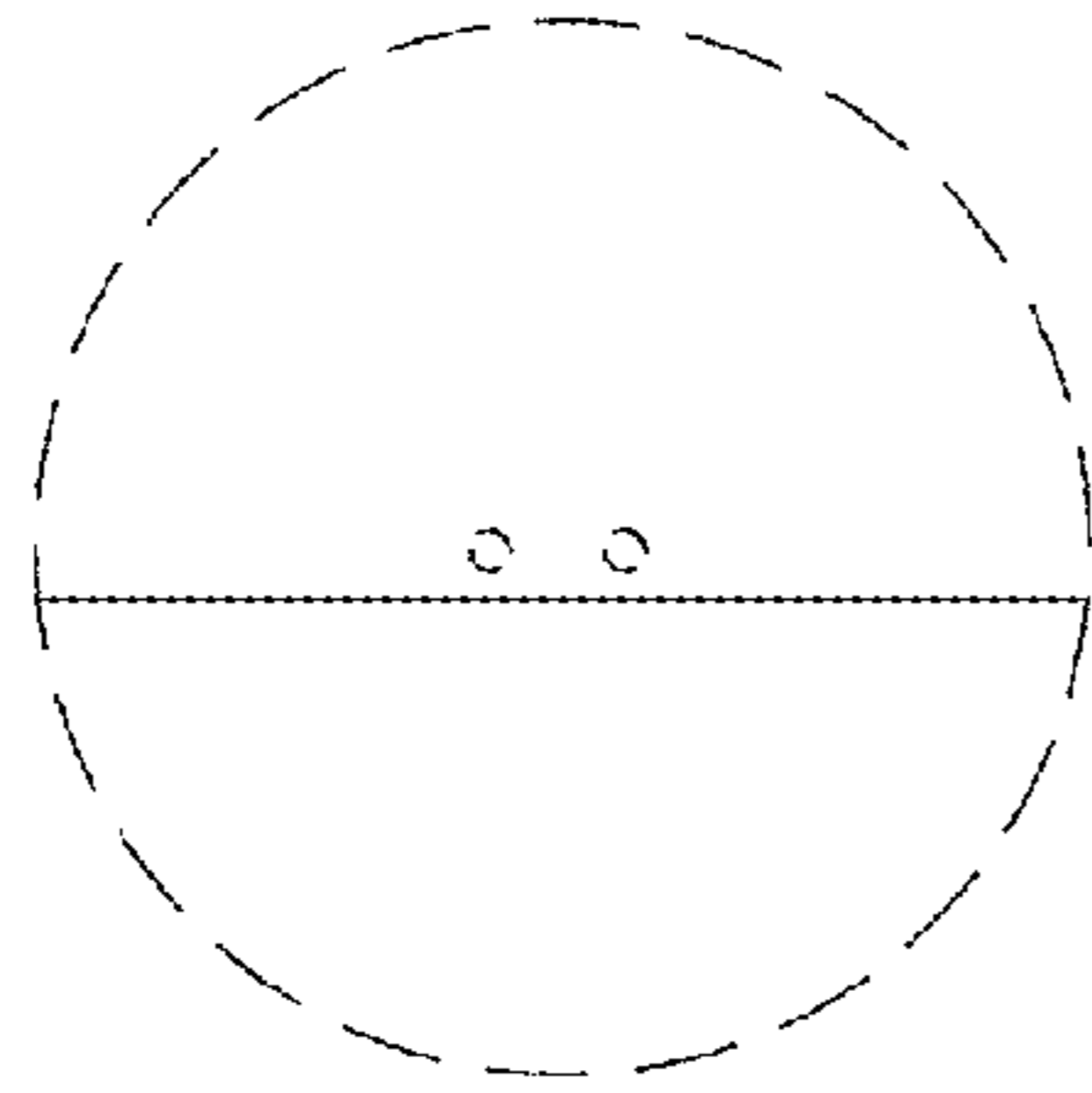


FIG. 9

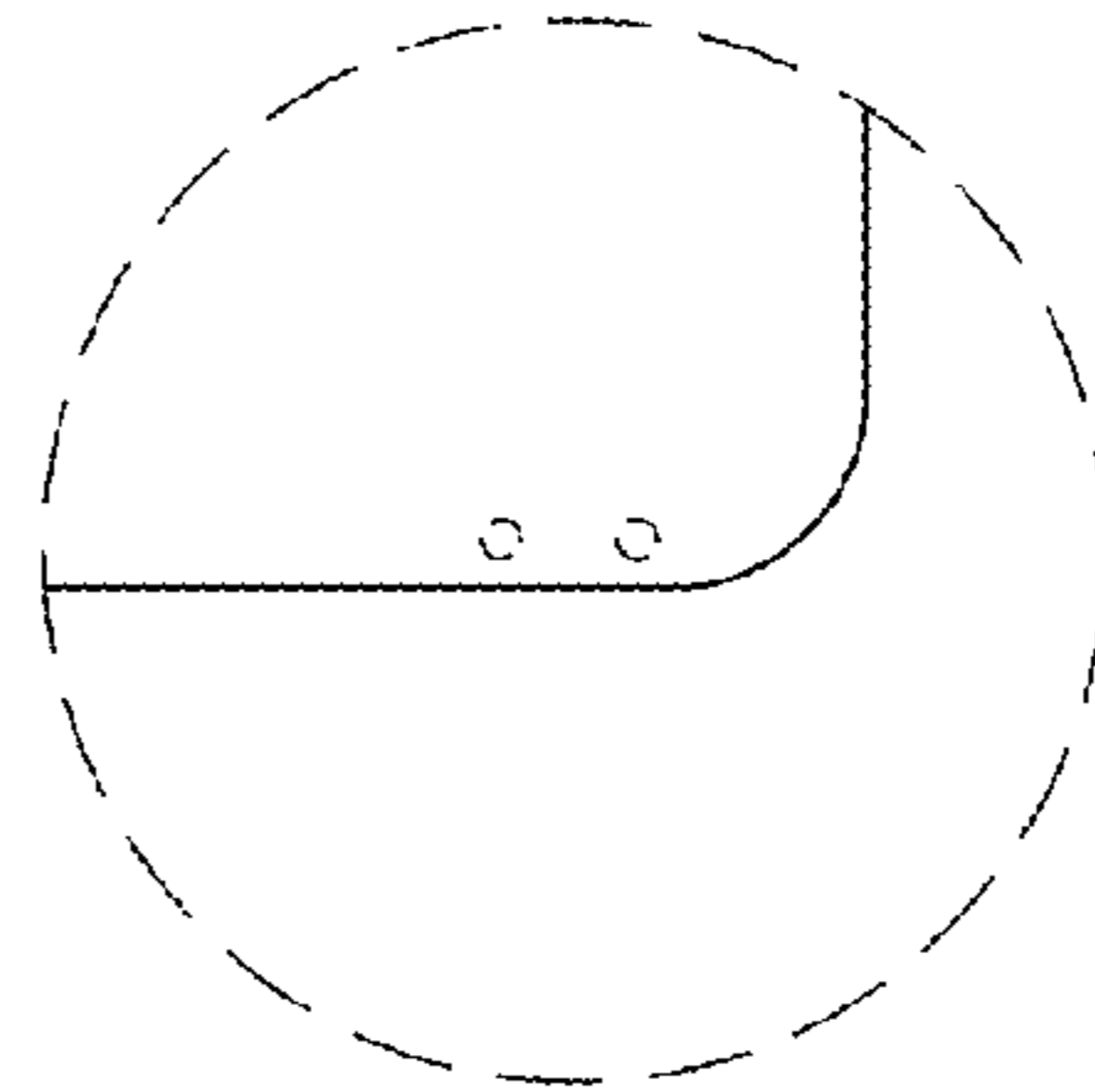


FIG. 10

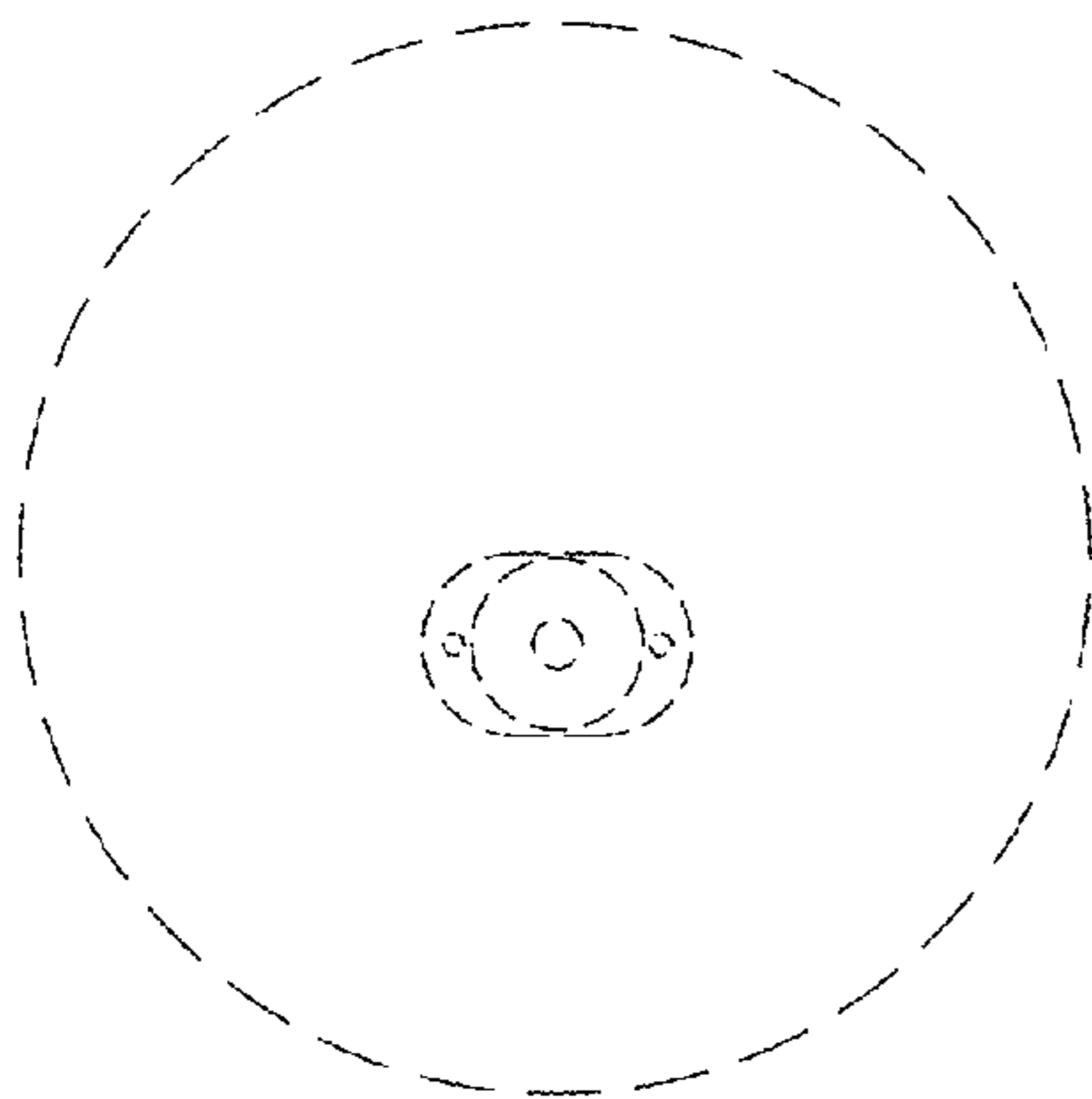


FIG. 11

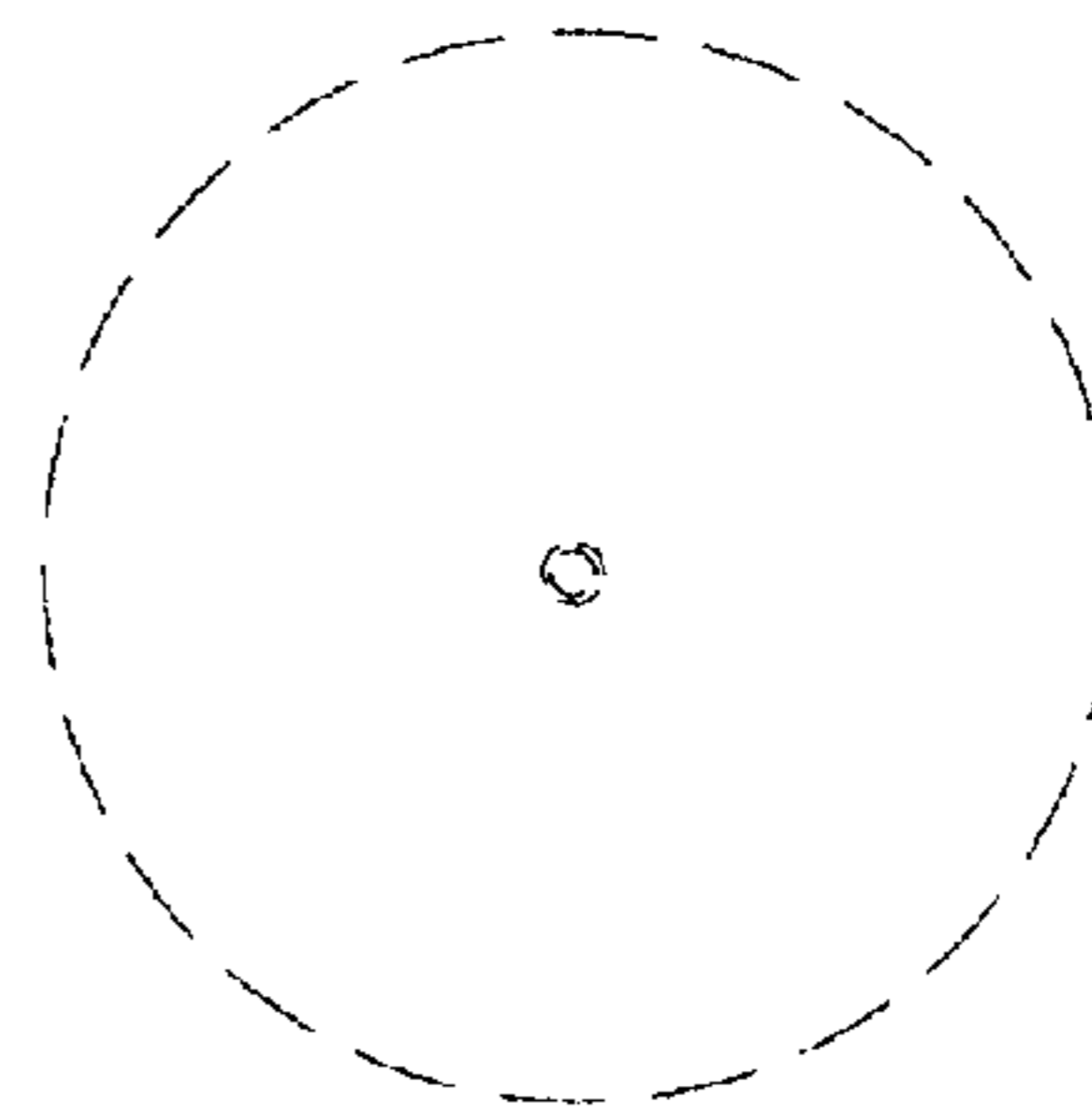


FIG. 12

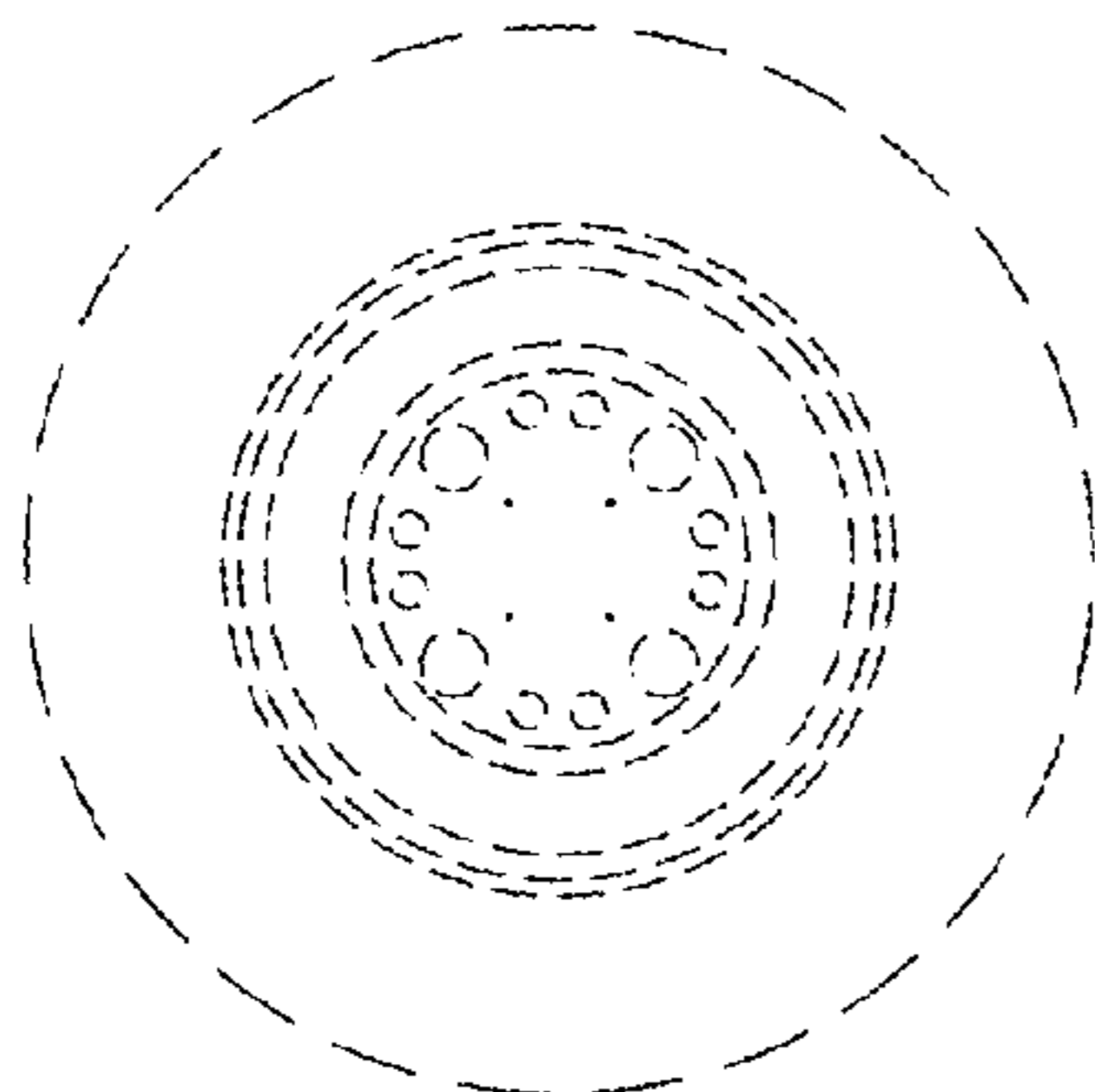


FIG. 13

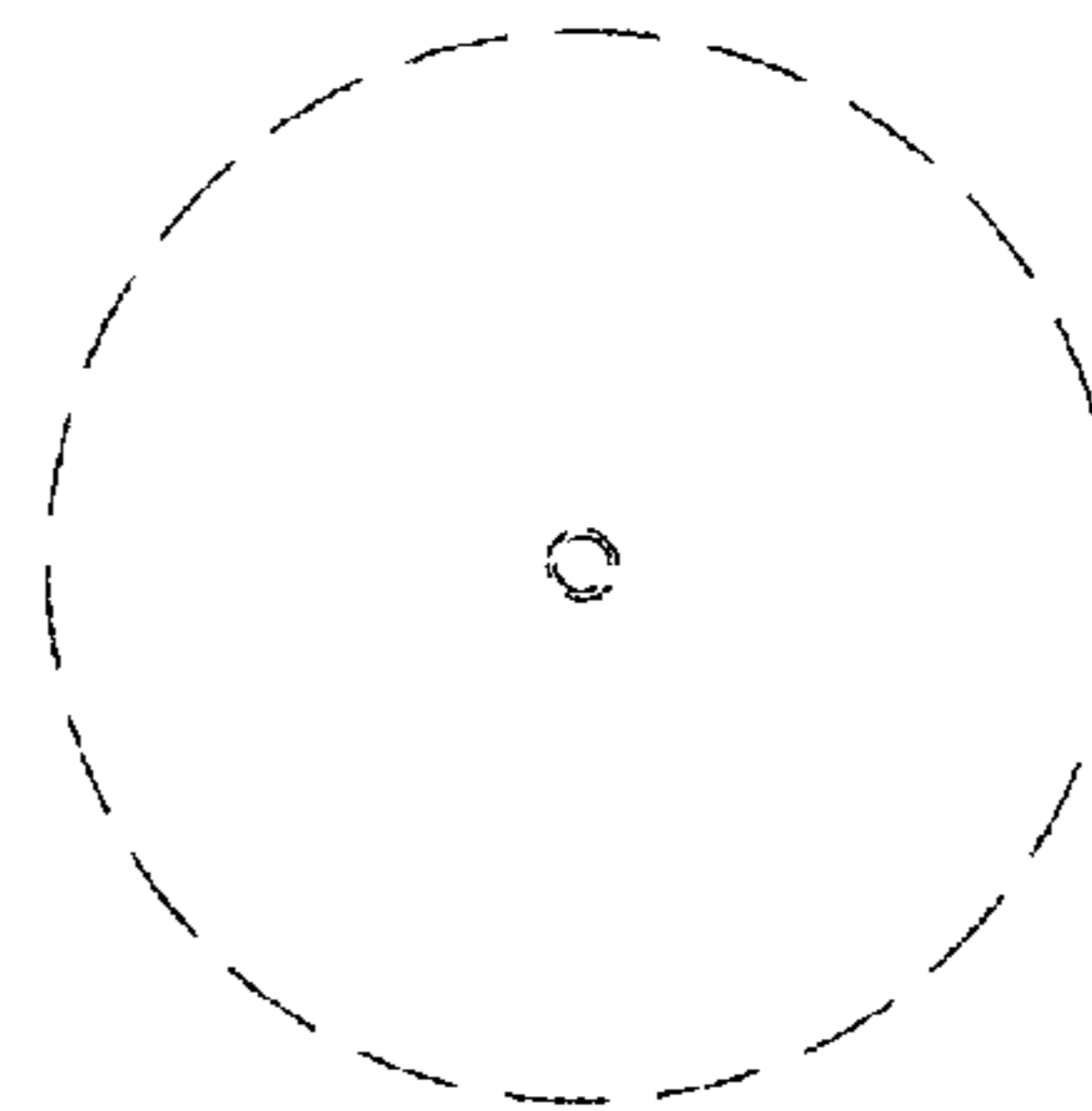


FIG. 14

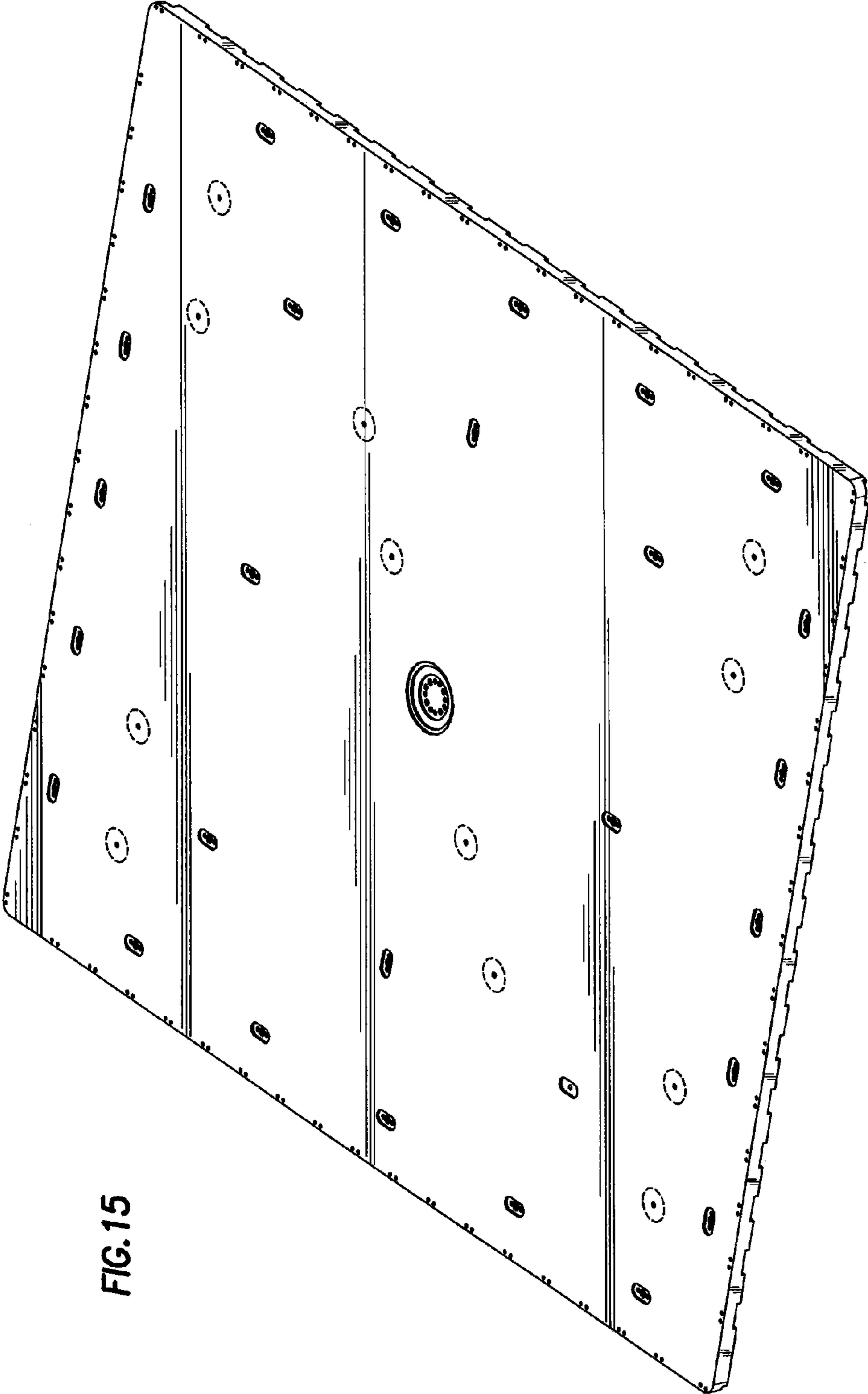


FIG. 15