



US00D675171S

(12) **United States Design Patent**
Tanaka

(10) **Patent No.:** **US D675,171 S**
(45) **Date of Patent:** **** Jan. 29, 2013**

(54) **MULTI-ELECTRODE HOLDER**
(75) Inventor: **Yokichi J. Tanaka**, Foothill Ranch, CA (US)
(73) Assignee: **Tecella LLC**, Foothill Ranch, CA (US)
(**) Term: **14 Years**
(21) Appl. No.: **29/381,239**
(22) Filed: **Dec. 16, 2010**
(51) **LOC (9) Cl.** **13-03**
(52) **U.S. Cl.** **D13/182**
(58) **Field of Classification Search** D13/133,
D13/182; 174/250; 219/69.15, 84, 87, 88;
361/777; 439/626
See application file for complete search history.

| | | | | |
|--------------|-----|---------|-------------------------|---------|
| 7,444,856 | B2 | 11/2008 | Prinz et al. | |
| 7,465,558 | B2 | 12/2008 | Vasylyev et al. | |
| 7,518,386 | B2 | 4/2009 | Watanabe | |
| 7,518,388 | B2 | 4/2009 | Tashiro et al. | |
| 2002/0056922 | A1 | 5/2002 | Funaya et al. | |
| 2004/0182707 | A1 | 9/2004 | Jardemark et al. | |
| 2004/0223309 | A1 | 11/2004 | Haemer et al. | |
| 2005/0231186 | A1 | 10/2005 | Saavedra Barrera et al. | |
| 2009/0068895 | A1* | 3/2009 | Millard et al. | 439/626 |
| 2009/0092963 | A1 | 4/2009 | Orwar et al. | |
| 2010/0317232 | A1* | 12/2010 | Fan | 439/626 |
| 2011/0312222 | A1* | 12/2011 | Tanaka | 439/626 |

* cited by examiner

Primary Examiner — Selina Sikder

(57) **CLAIM**
The ornamental design for the multi-electrode holder, as shown and described.

(56) **References Cited**

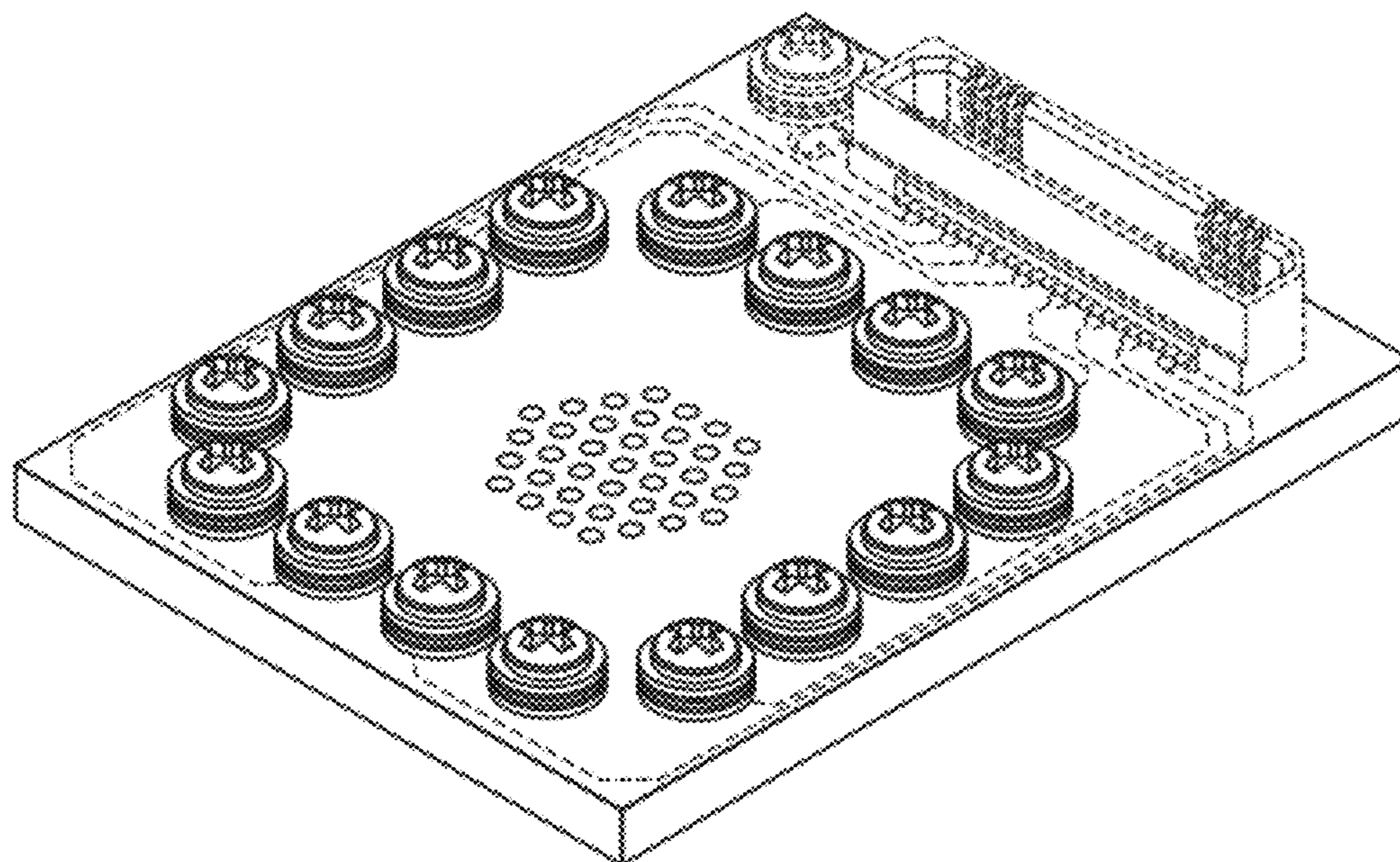
U.S. PATENT DOCUMENTS

| | | | | |
|-----------|-----|---------|------------------|-----------|
| 2,991,440 | A * | 7/1961 | Kulka | 239/17 |
| 4,756,928 | A | 7/1988 | Senda et al. | |
| 4,789,769 | A * | 12/1988 | Warner | 219/86.25 |
| 5,917,156 | A | 6/1999 | Nobori et al. | |
| 6,130,056 | A | 10/2000 | Correges | |
| 6,515,842 | B1 | 2/2003 | Hayworth et al. | |
| 6,525,275 | B1* | 2/2003 | Asai | 174/255 |
| 6,788,966 | B2 | 9/2004 | Kenan et al. | |
| 6,815,197 | B2 | 11/2004 | Boven et al. | |
| 6,890,762 | B1 | 5/2005 | Sugihara et al. | |
| 6,946,860 | B2 | 9/2005 | Cheng et al. | |
| 6,993,392 | B2 | 1/2006 | Nicolelis et al. | |
| 6,998,857 | B2 | 2/2006 | Terada et al. | |

DESCRIPTION

FIG. 1 is a perspective view of a multi-electrode holder incorporating my design;
FIG. 2 is a left-side view of the multi-electrode holder;
FIG. 3 is a right-side view of the multi-electrode holder;
FIG. 4 is a front view of the multi-electrode holder;
FIG. 5 is a rear view of the multi-electrode holder;
FIG. 6 is a top view of the multi-electrode holder; and,
FIG. 7 is a bottom view of the multi-electrode holder.
The broken lines are for illustrative purposes. None of the broken lines form part of the claimed design.

1 Claim, 5 Drawing Sheets



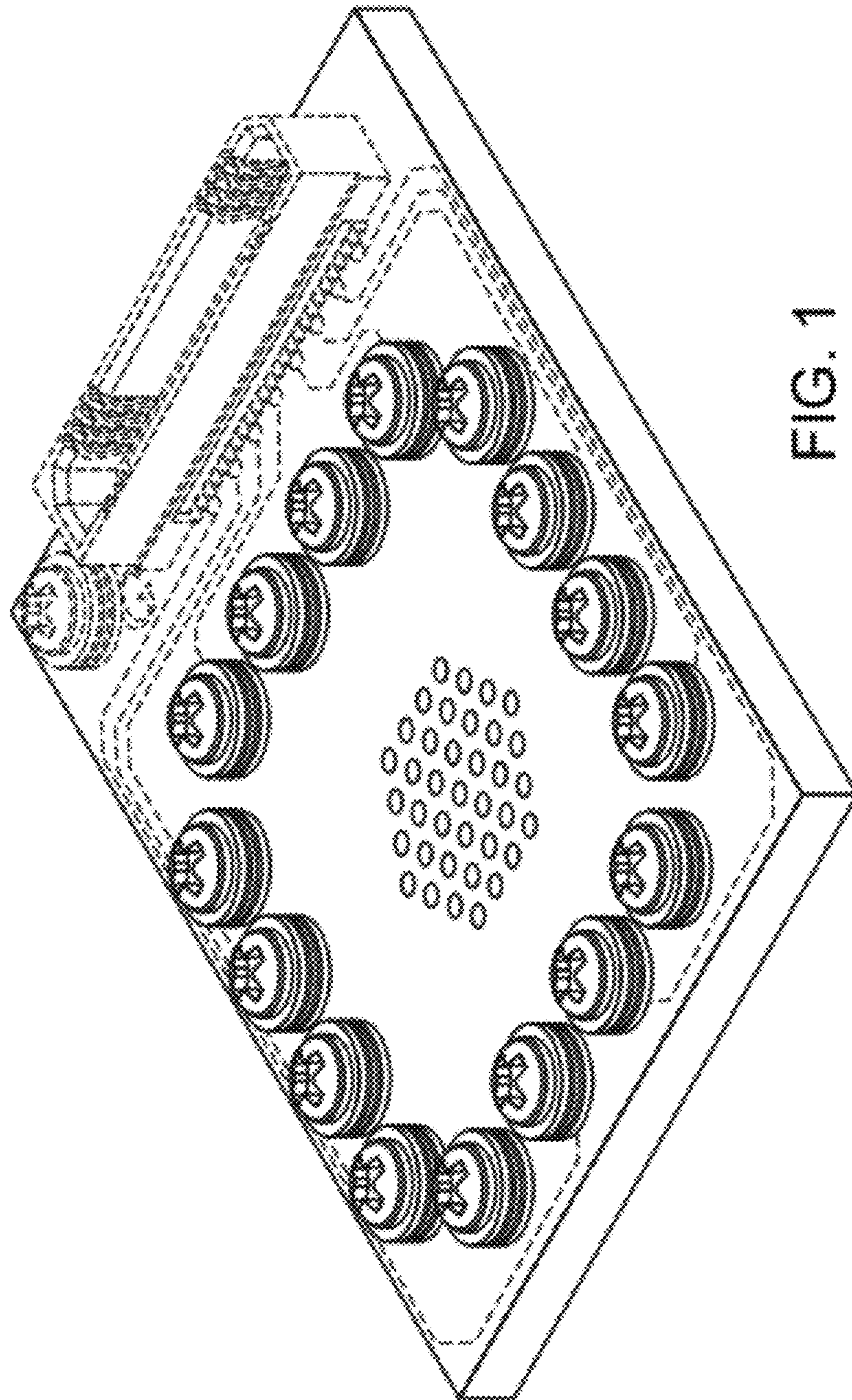


FIG. 1

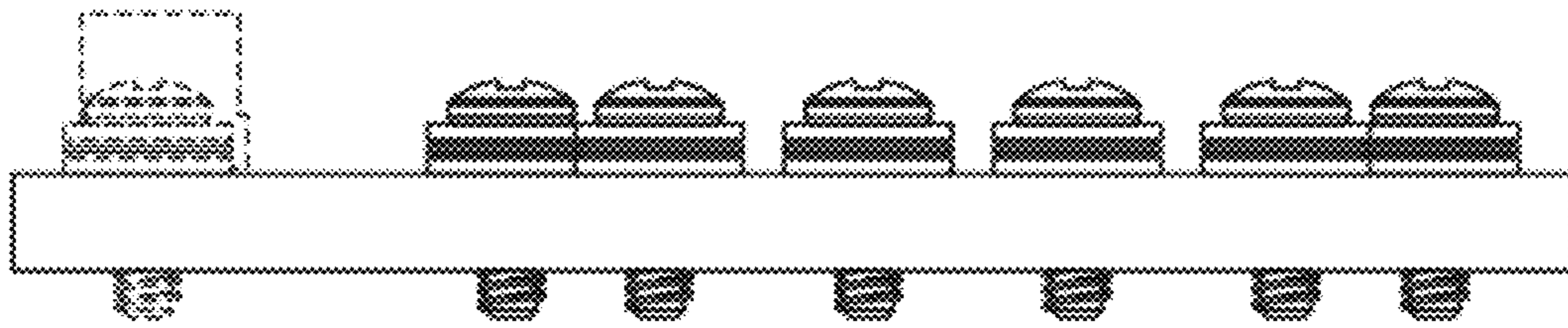


FIG. 2

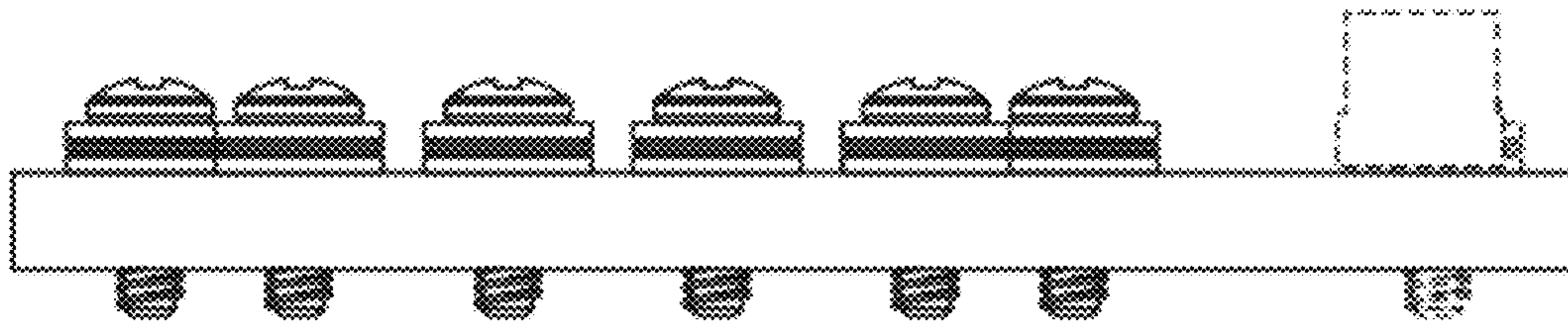


FIG. 3

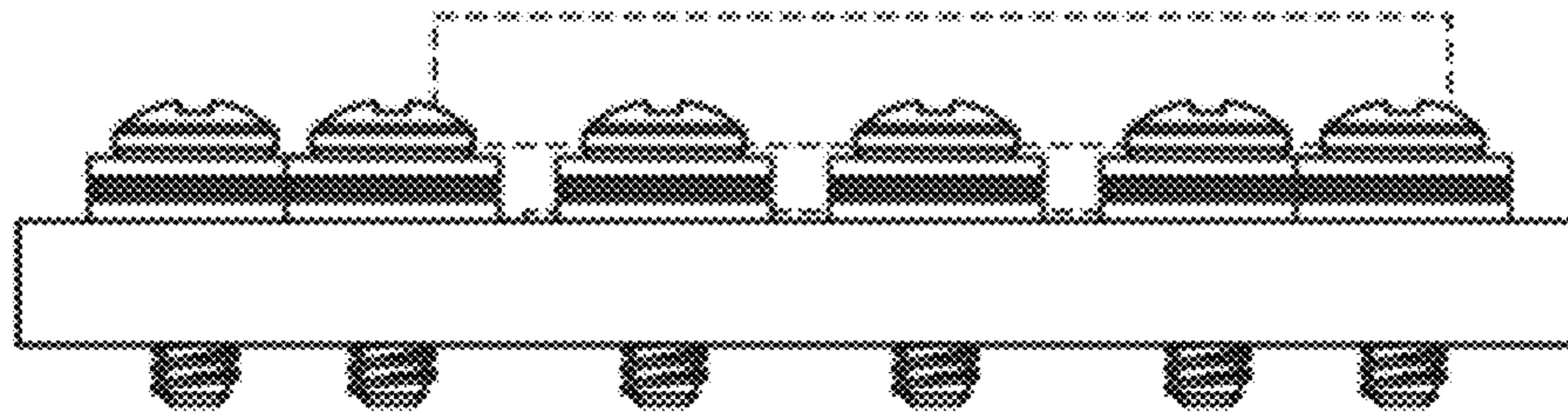


FIG. 4

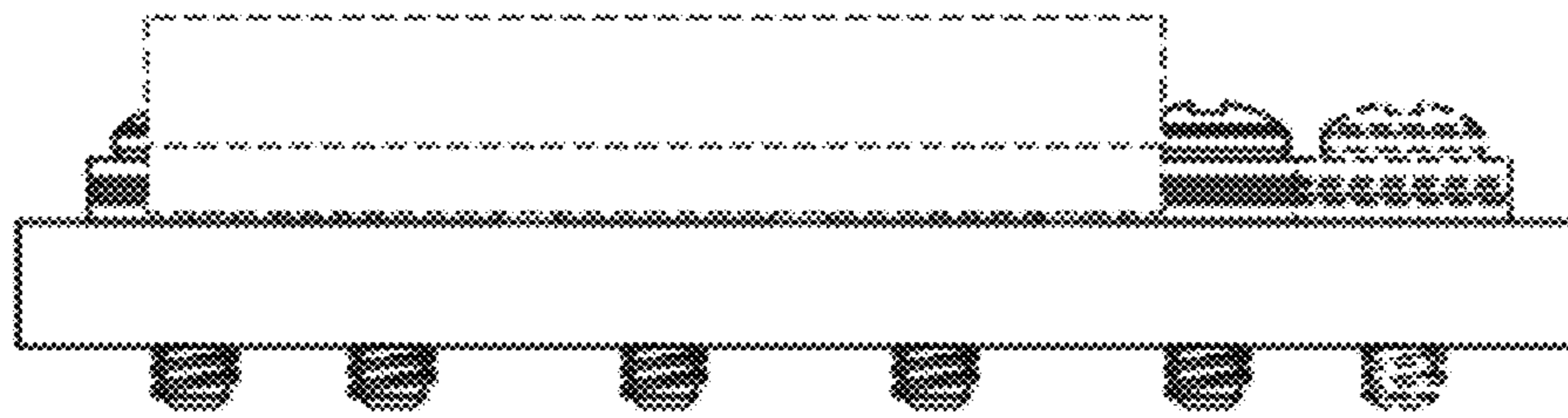


FIG. 5

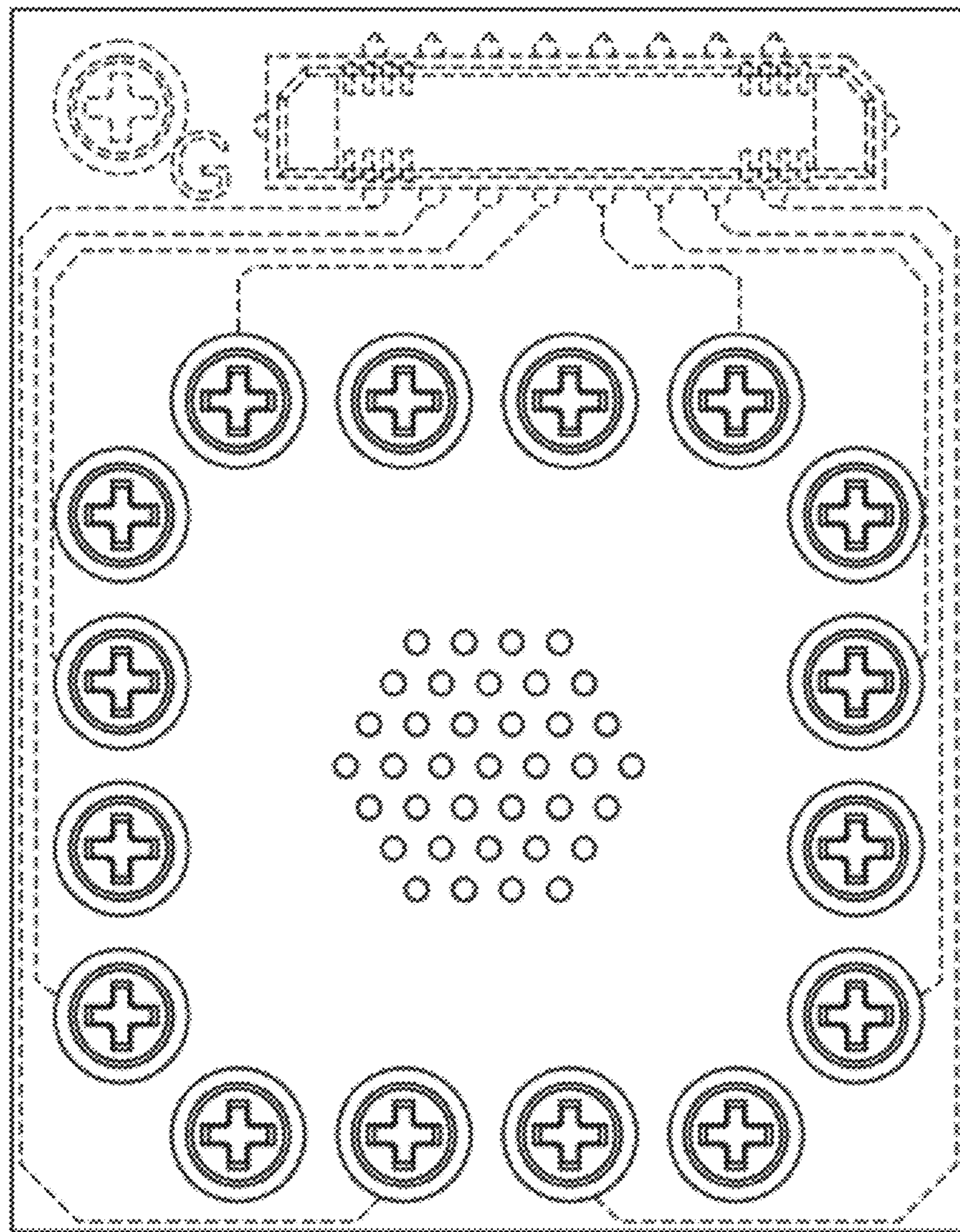


FIG. 6

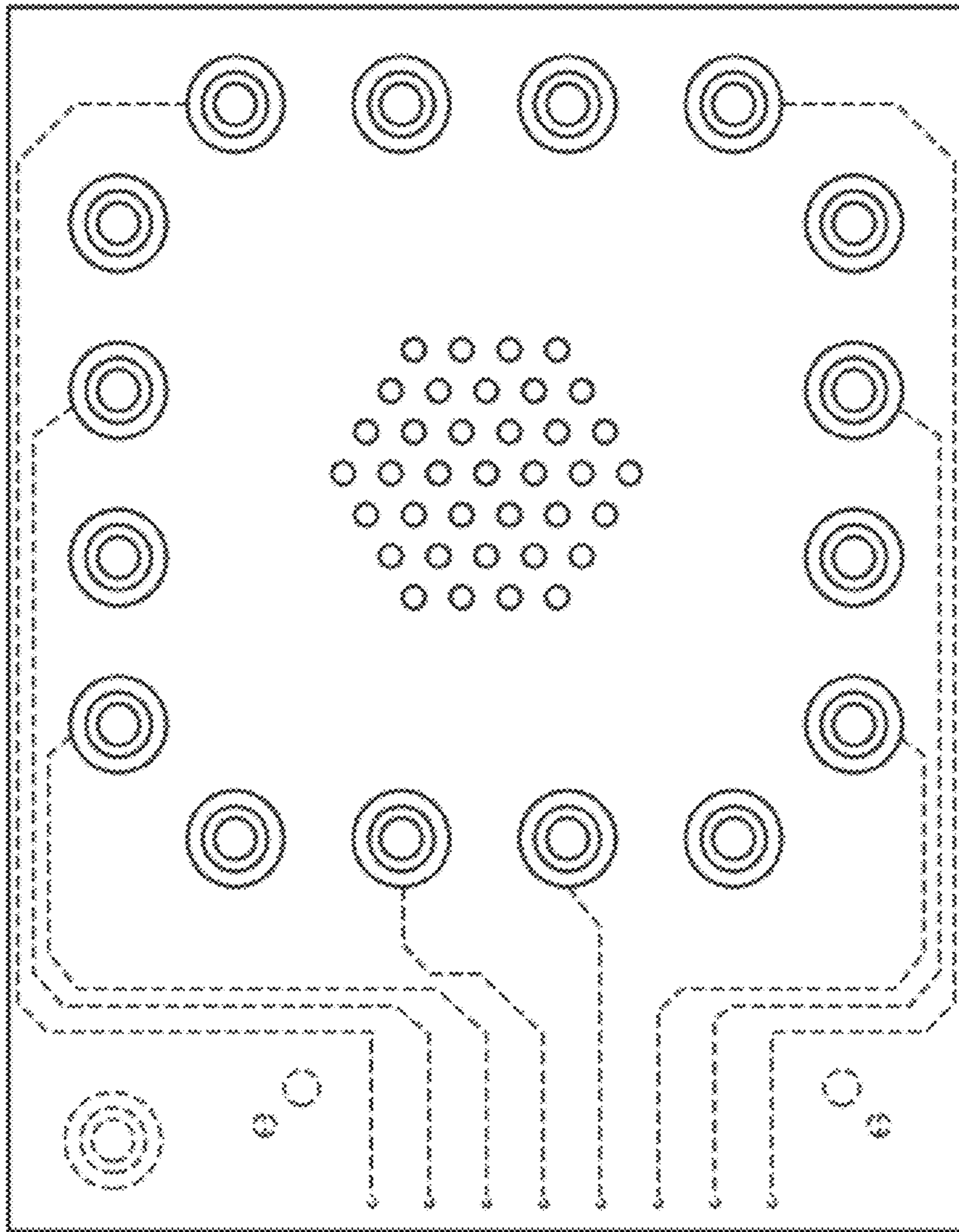


FIG. 7