



US00D675167S

(12) **United States Design Patent**
Smith

(10) **Patent No.:** **US D675,167 S**
(45) **Date of Patent:** **** Jan. 29, 2013**

- (54) **DUPLEX FILLER PLUG**
- (75) Inventor: **Lawrence J. Smith**, Stamford, CT (US)
- (73) Assignee: **Bridgeport Fittings, Inc.**, Stratford, CT (US)
- (**) Term: **14 Years**
- (21) Appl. No.: **29/429,781**
- (22) Filed: **Aug. 16, 2012**

D368,250 S	3/1996	Castaldo	
D381,630 S	7/1997	Garcia et al.	
5,886,300 A *	3/1999	Strickler	174/135
D410,631 S	6/1999	Foster	
D411,170 S	6/1999	Deutsch	
D411,984 S *	7/1999	Wu	D13/156
D437,293 S	2/2001	Yudis	
D444,452 S	7/2001	Smith	
D467,553 S	12/2002	Cheng	
D503,926 S *	4/2005	Marrs	D13/133

* cited by examiner

Related U.S. Application Data

- (62) Division of application No. 29/370,625, filed on Aug. 13, 2010.
- (51) **LOC (9) Cl.** **13-03**
- (52) **U.S. Cl.** **D13/156**
- (58) **Field of Classification Search** D13/156,
D13/133, 145, 146, 148, 149, 153, 154, 199;
D8/349, 354, 382, 387, 394; D9/434, 439;
174/66, 68.1, 93, 151; 385/55, 76, 88, 89;
439/345, 369, 370, 372, 521, 527, 528
See application file for complete search history.

Primary Examiner — Derrick Holland
(74) *Attorney, Agent, or Firm* — Ware, Fressola, Van Der Sluys & Adolphson LLP

(57) **CLAIM**

The ornamental design for a duplex filler plug, as shown and described.

DESCRIPTION

FIG. 1 is a front perspective view of a duplex filler plug showing my new design in environmental use;
FIG. 2 is a bottom plan view thereof;
FIG. 3 is a side elevational view thereof, the opposite side being a mirror image thereof;
FIG. 4 is a top plan view thereof;
FIG. 5 is a side elevational view thereof, rotated 90° from the side elevational view shown in FIG. 3; and,
FIG. 6 is a bottom perspective view thereof.
The broken lines shown represent unclaimed subject matter and form no part of the claimed design.

(56) **References Cited**

U.S. PATENT DOCUMENTS

D244,027 S	4/1977	Mooney et al.
D254,446 S	3/1980	Raitto
D256,356 S	8/1980	Lazerson
4,798,440 A	1/1989	Hoffer et al.
5,261,914 A	11/1993	Warren
5,293,581 A	3/1994	DiMarco
5,442,140 A	8/1995	Mc Grane

1 Claim, 2 Drawing Sheets

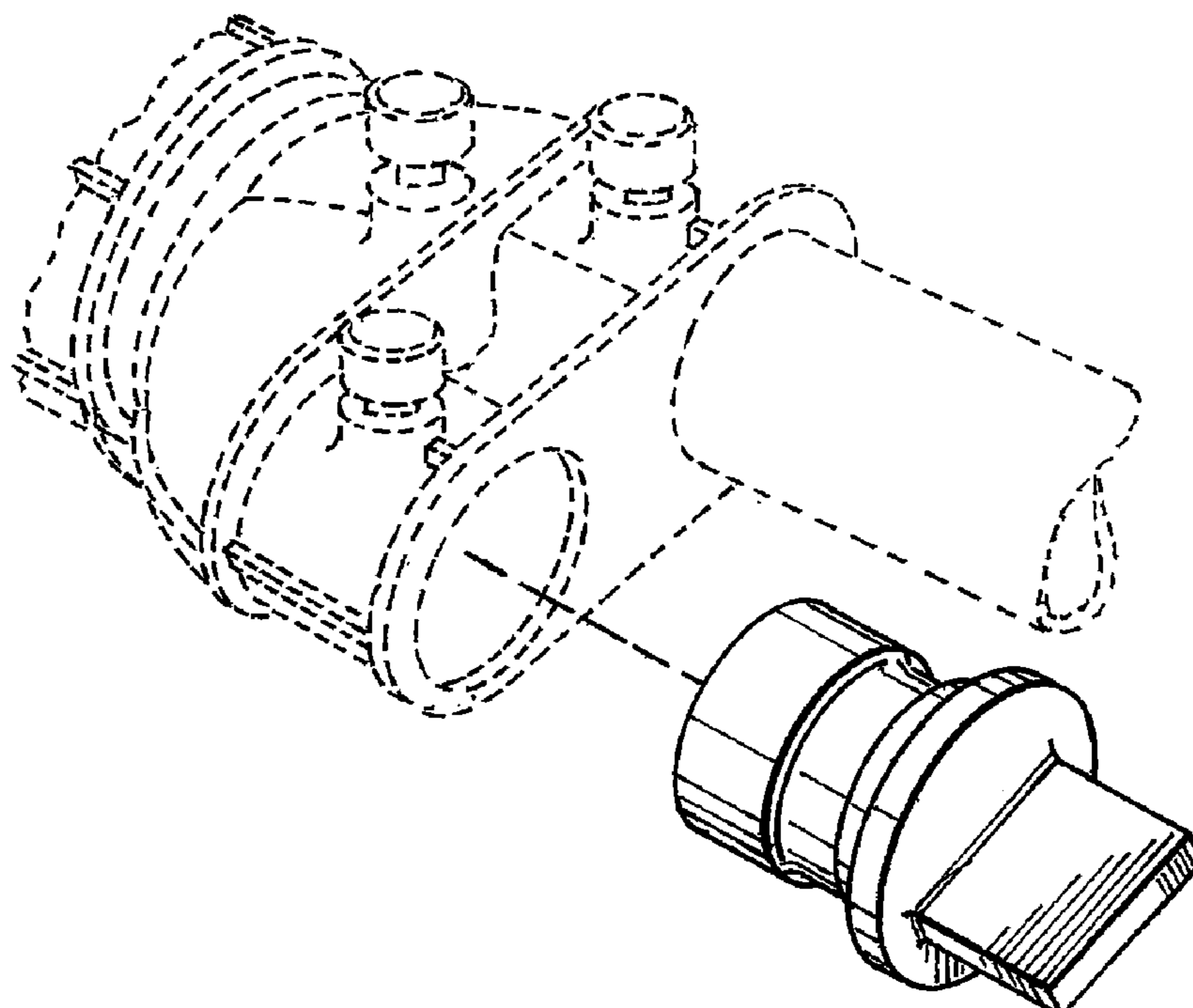


FIG. 1

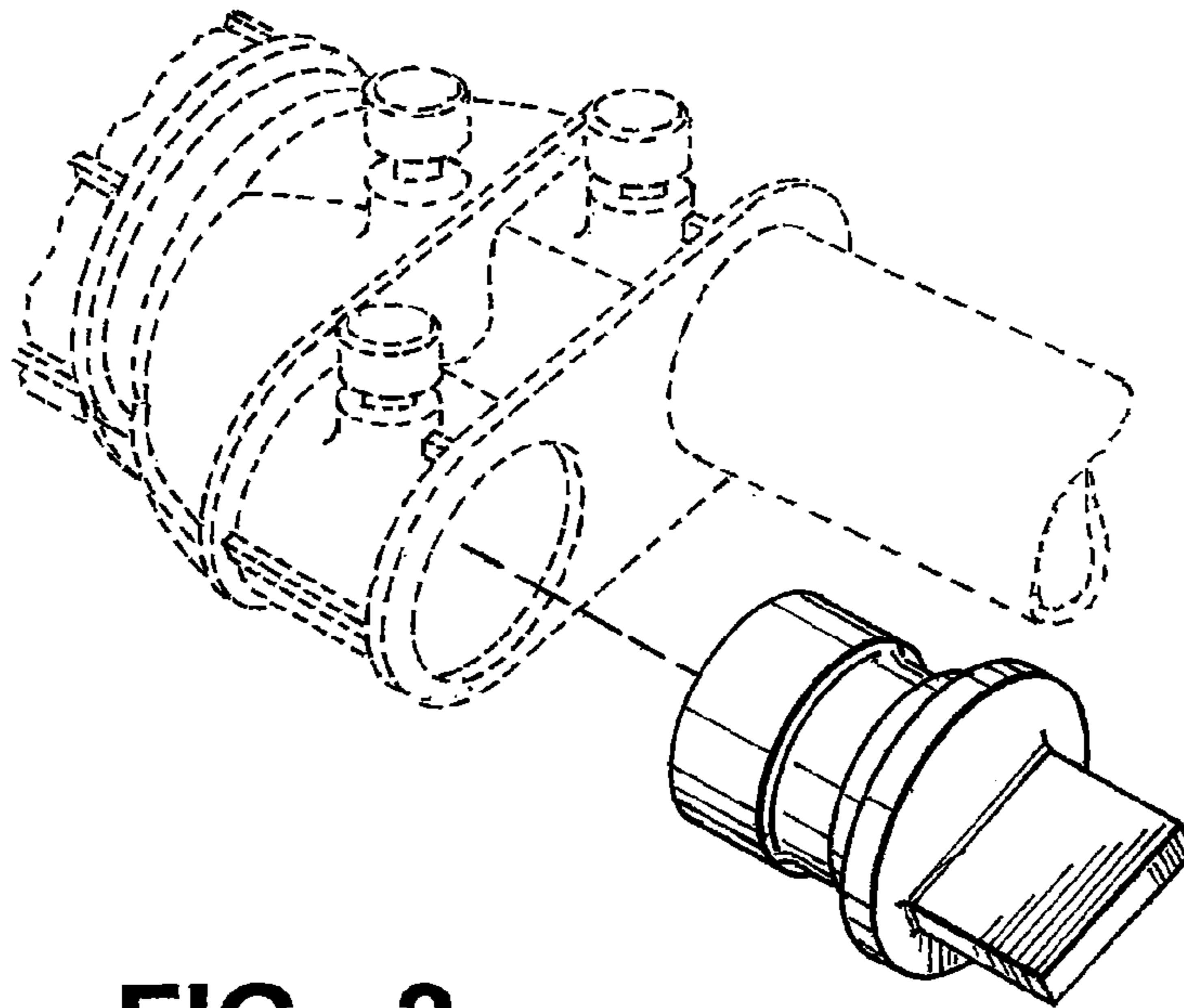


FIG. 2

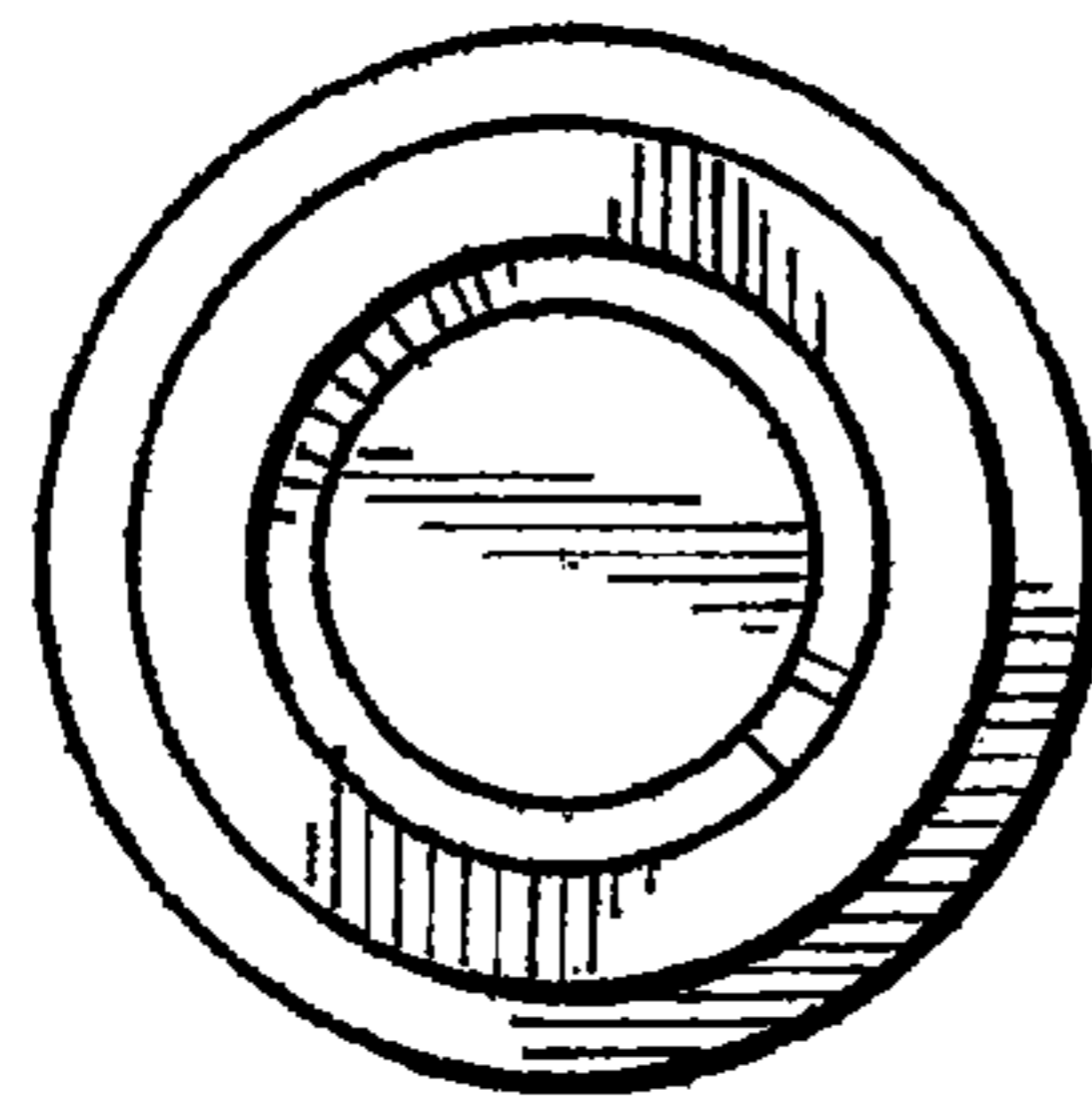


FIG. 3

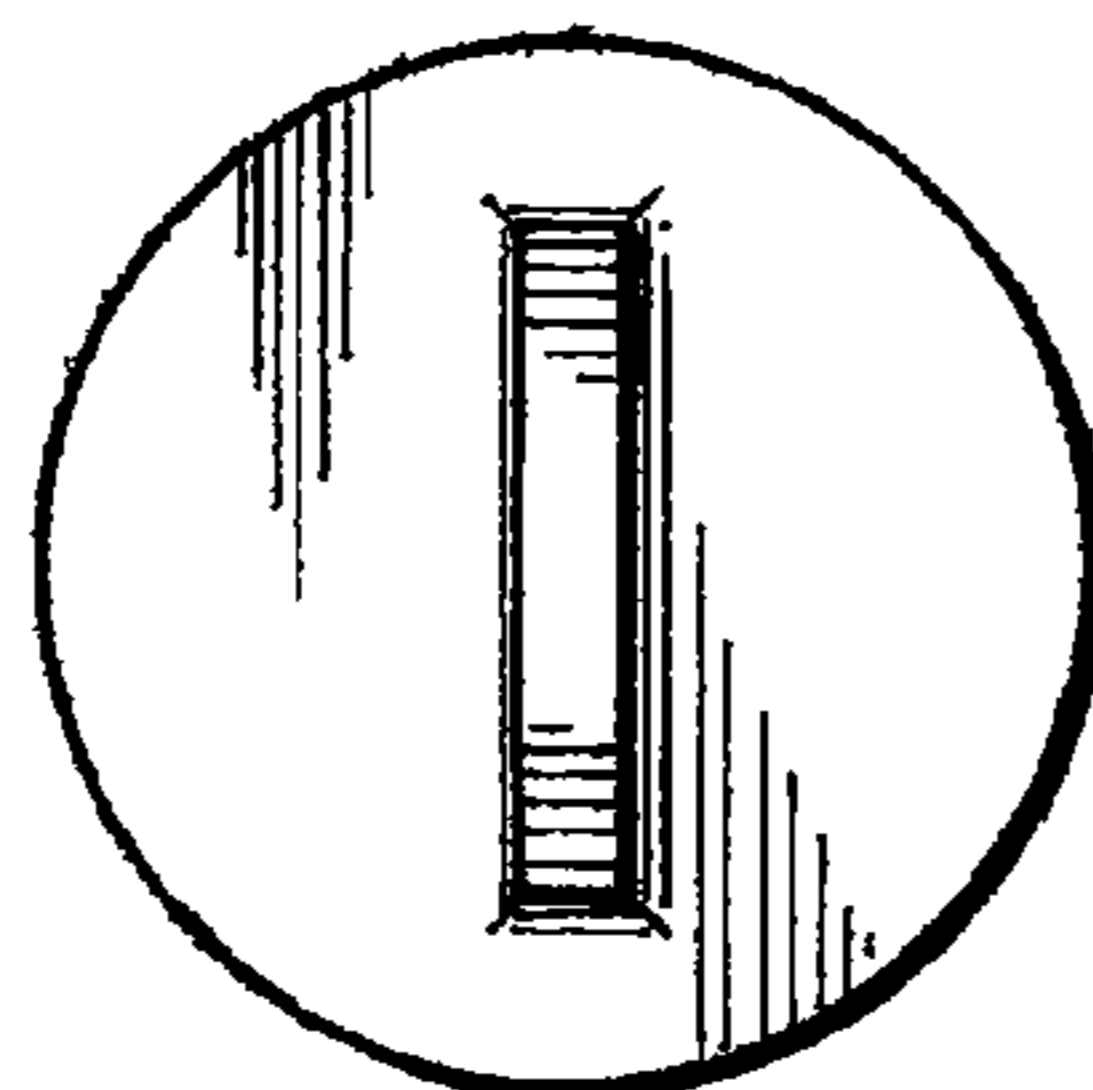
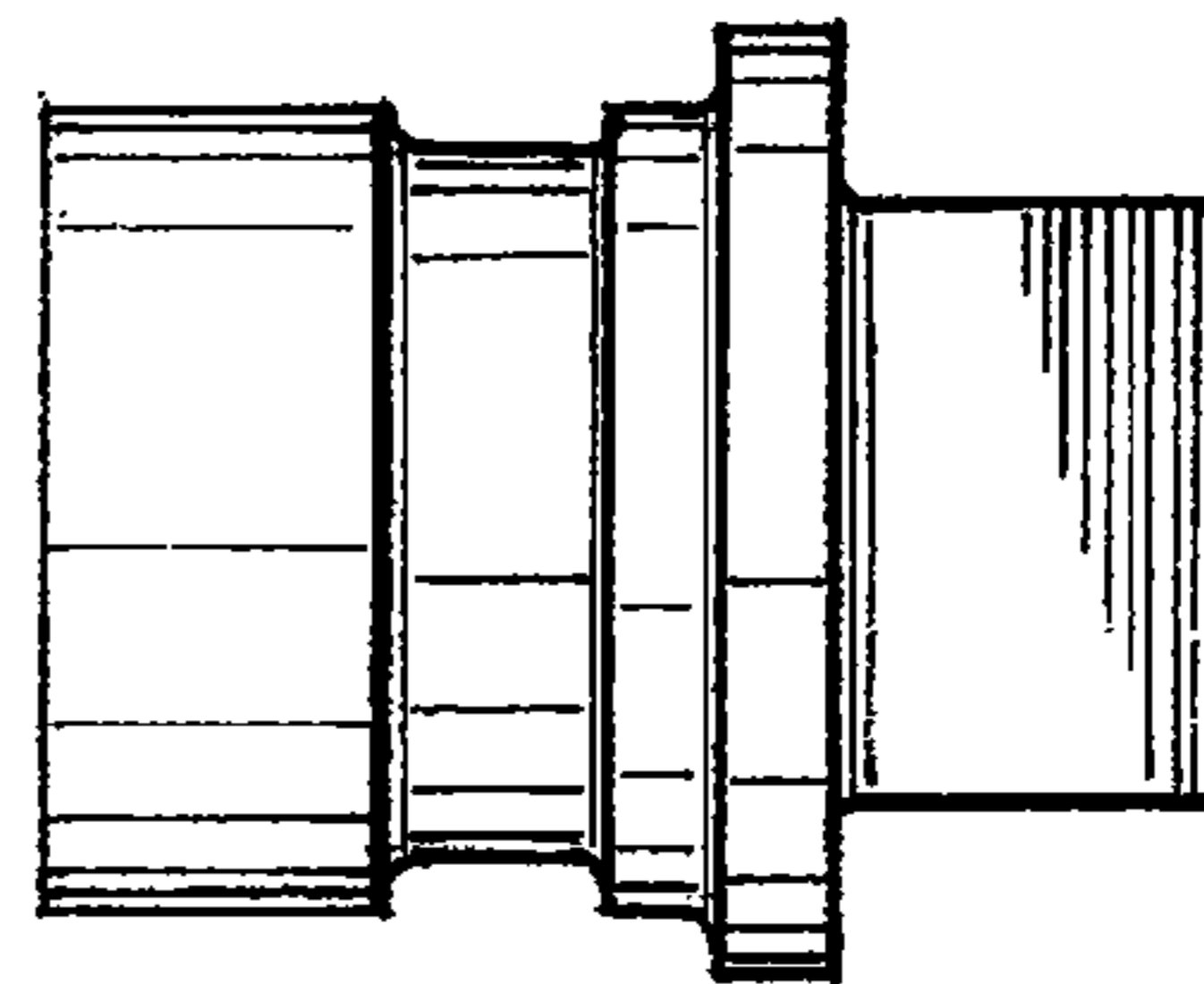


FIG. 4

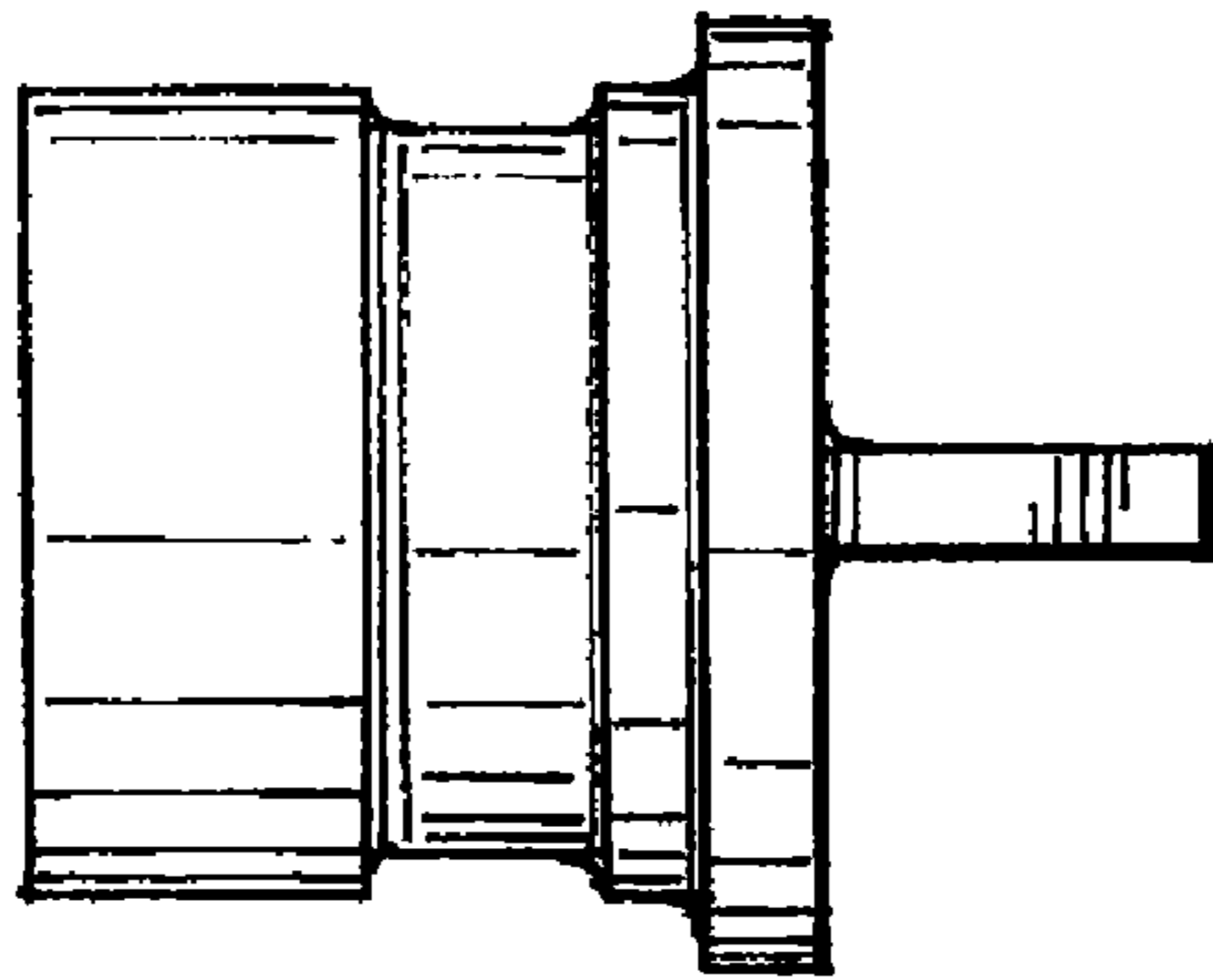


FIG. 5

FIG. 6

