



US00D675166S

(12) **United States Design Patent**  
**Hopper**

(10) **Patent No.:** **US D675,166 S**

(45) **Date of Patent:** **\*\* Jan. 29, 2013**

- (54) **ELECTRIC PLUG ENCLOSURE**
- (76) Inventor: **John Hopper**, Logansport, IN (US)
- (\*\*) Term: **14 Years**
- (21) Appl. No.: **29/417,630**
- (22) Filed: **Apr. 5, 2012**
- (51) **LOC (9) Cl.** ..... **13-03**
- (52) **U.S. Cl.** ..... **D13/156**
- (58) **Field of Classification Search** ..... D13/156,  
D13/133, 137.1, 137.4, 138.1, 139.1, 154,  
D13/184; 439/135, 137, 586, 577, 578, 606-610,  
439/668, 669, 675, 676, 725, 889, 892, 901,  
439/904

See application file for complete search history.

(56) **References Cited**

**U.S. PATENT DOCUMENTS**

|           |   |   |         |              |       |         |
|-----------|---|---|---------|--------------|-------|---------|
| 4,729,741 | A | * | 3/1988  | Peng         | ..... | 439/137 |
| D358,802  | S | * | 5/1995  | Kunz         | ..... | D13/154 |
| D443,593  | S | * | 6/2001  | Milan        | ..... | D13/154 |
| D520,459  | S | * | 5/2006  | Kent et al.  | ..... | D13/156 |
| D530,286  | S | * | 10/2006 | Phung et al. | ..... | D13/156 |
| D567,184  | S | * | 4/2008  | Victor       | ..... | D13/156 |

|          |   |   |         |               |       |         |
|----------|---|---|---------|---------------|-------|---------|
| D582,353 | S | * | 12/2008 | Victor        | ..... | D13/156 |
| D584,238 | S | * | 1/2009  | Victor        | ..... | D13/156 |
| D586,750 | S | * | 2/2009  | Li            | ..... | D13/133 |
| D609,193 | S | * | 2/2010  | Al-Ali et al. | ..... | D13/156 |

\* cited by examiner

*Primary Examiner* — Derrick Holland

(74) *Attorney, Agent, or Firm* — QuickPatents, Inc.; Kevin Prince

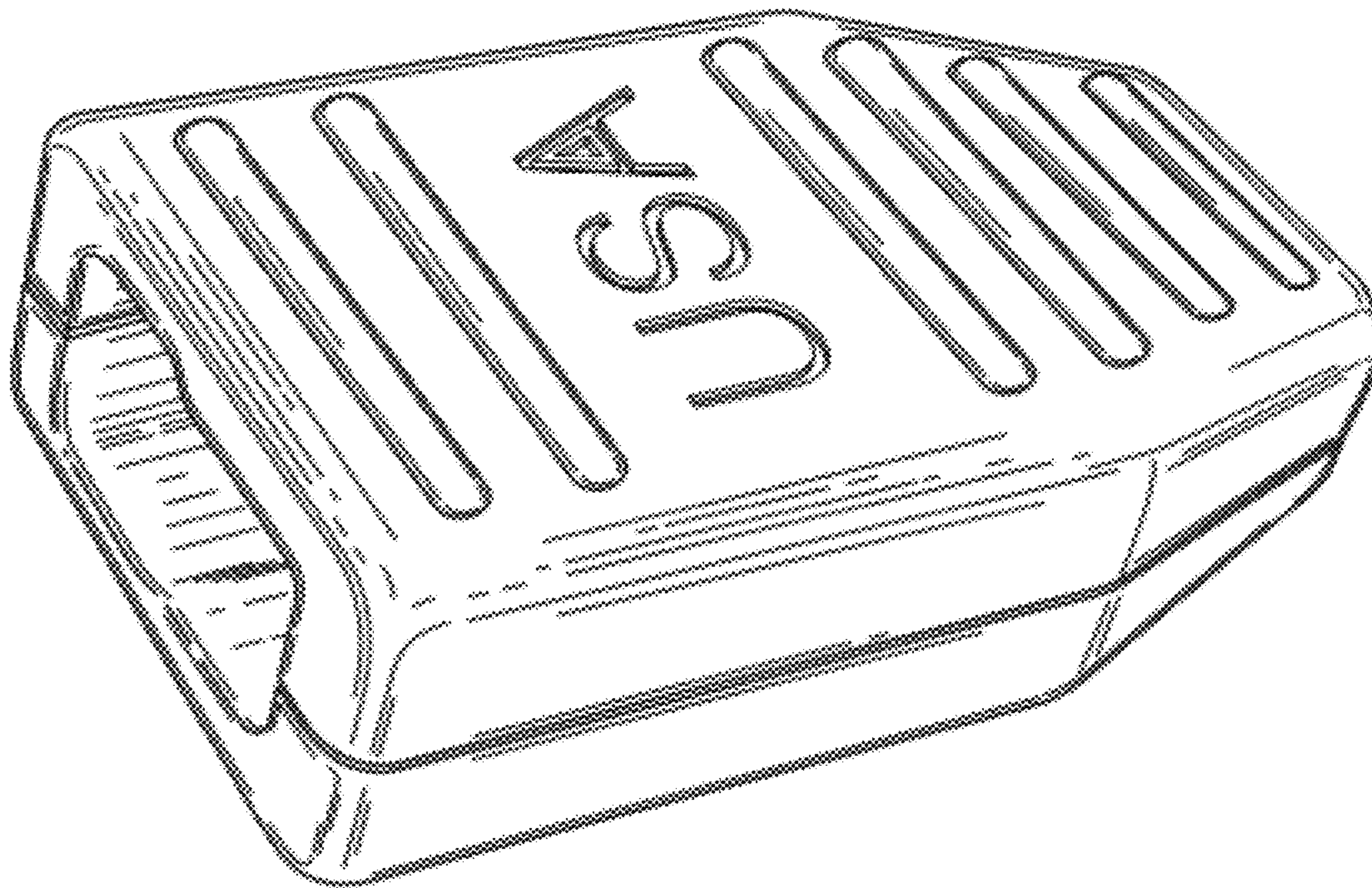
(57) **CLAIM**

I claim the ornamental design for an electric plug enclosure, as shown and described.

**DESCRIPTION**

FIG. 1 is an exploded perspective view of an electric plug enclosure, showing my new design;  
 FIG. 2 is a top perspective view thereof;  
 FIG. 3 is a front elevational view thereof;  
 FIG. 4 is a rear elevational view thereof;  
 FIG. 5 is a right-side elevational view thereof, the left-side elevational view being a mirror image thereof; and,  
 FIG. 6 is a top plan view thereof, the bottom plan view being a mirror image thereof.

**1 Claim, 3 Drawing Sheets**



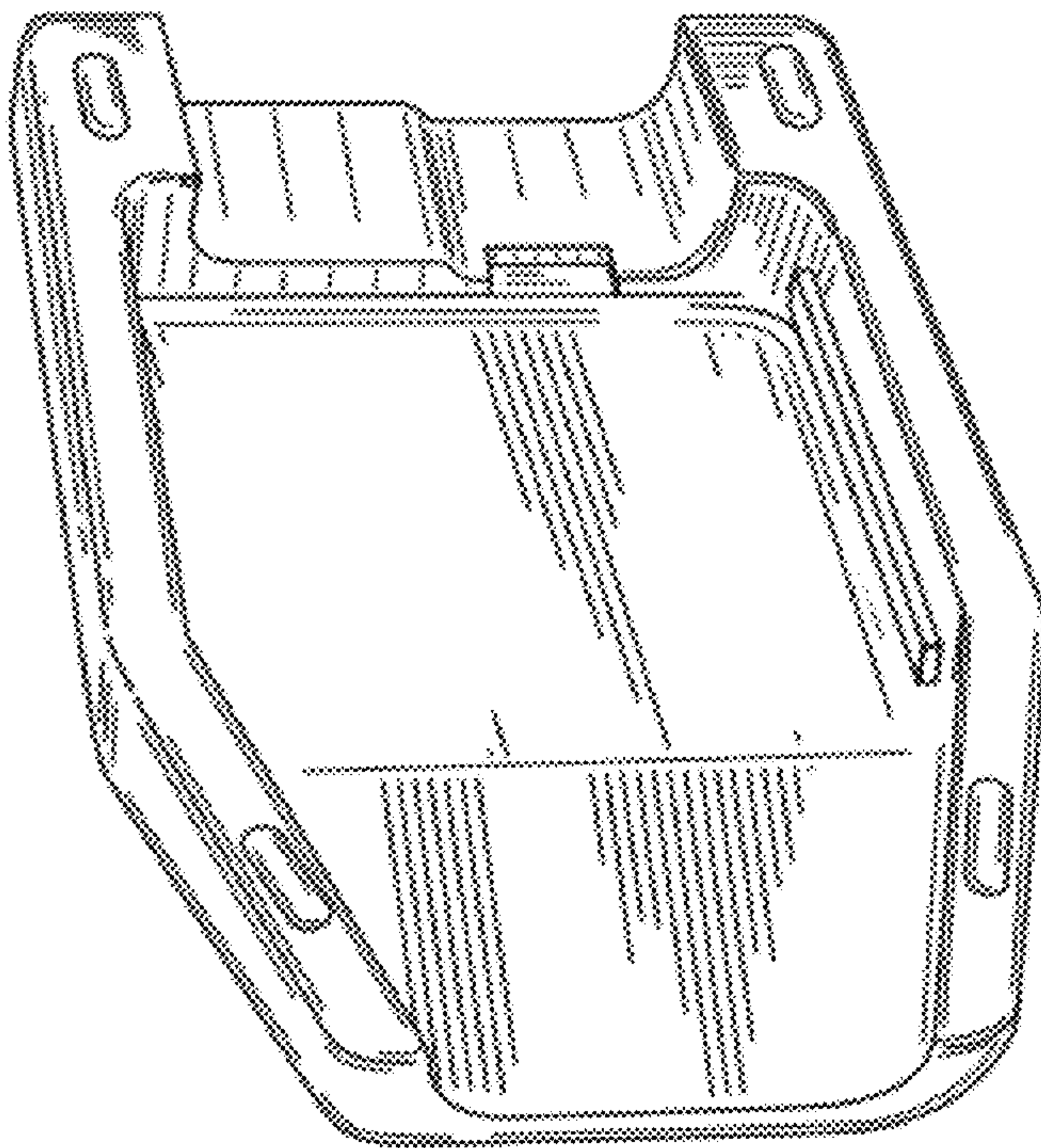
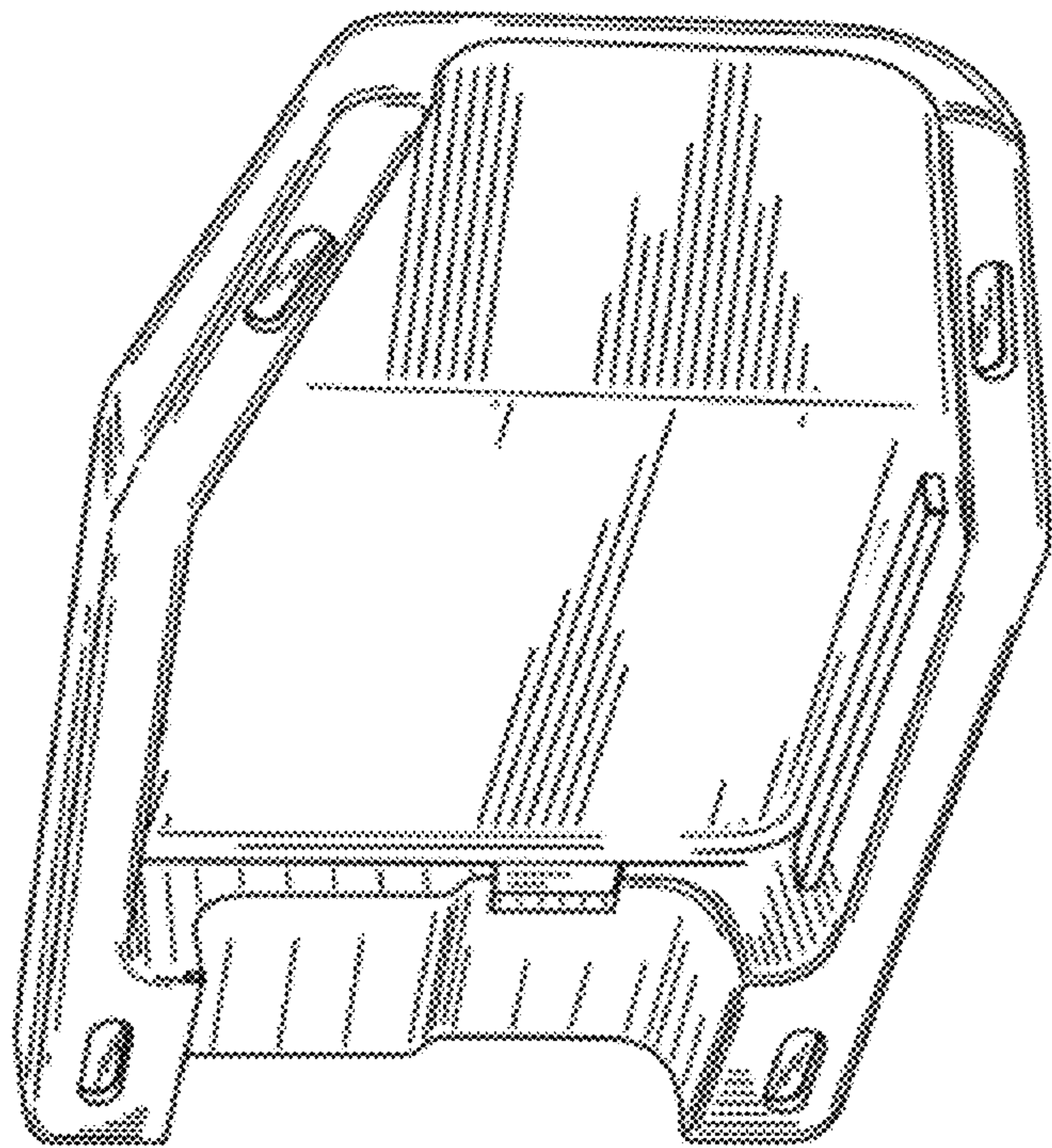


FIG. 1



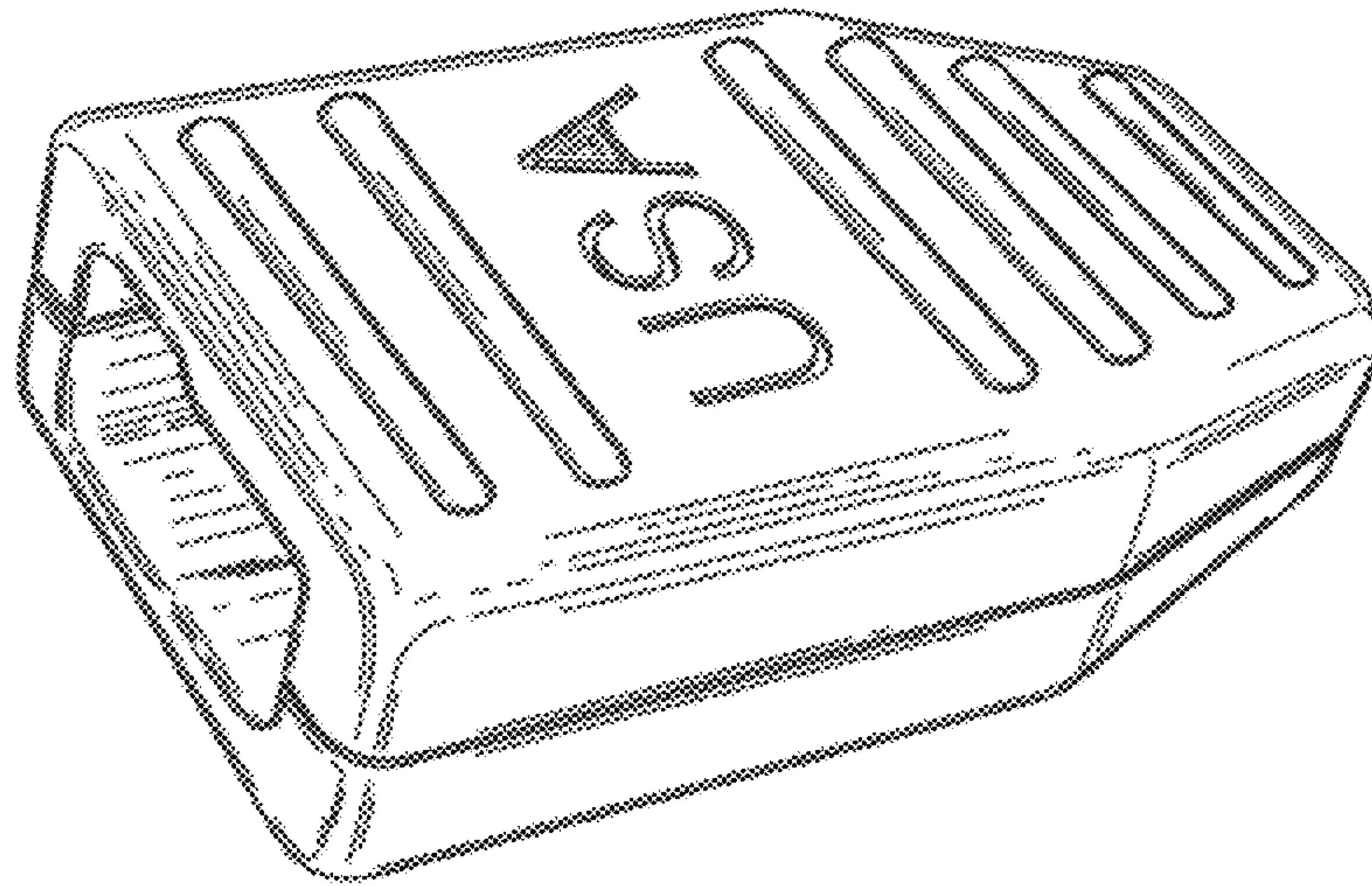


FIG. 2

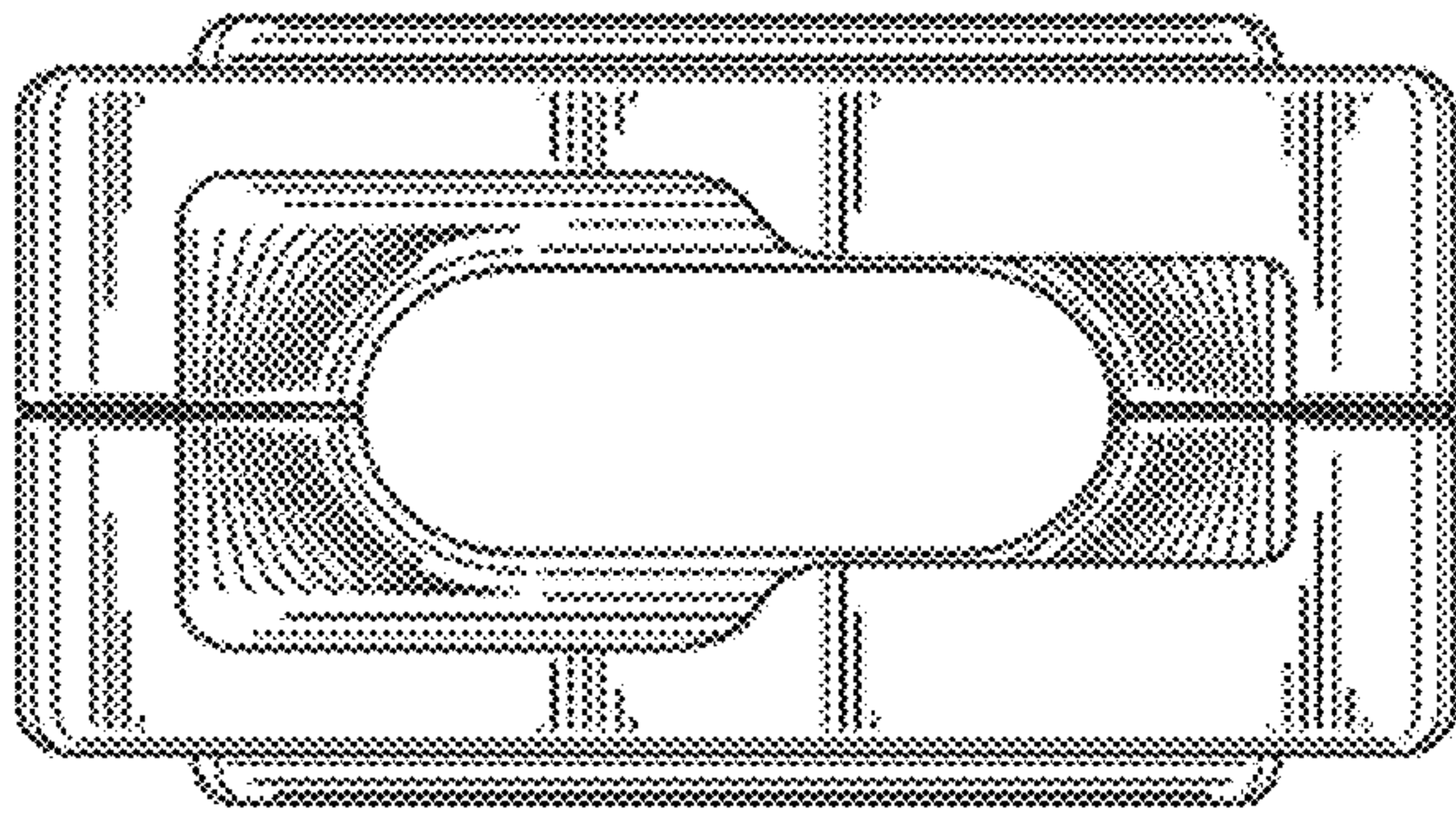


FIG. 3

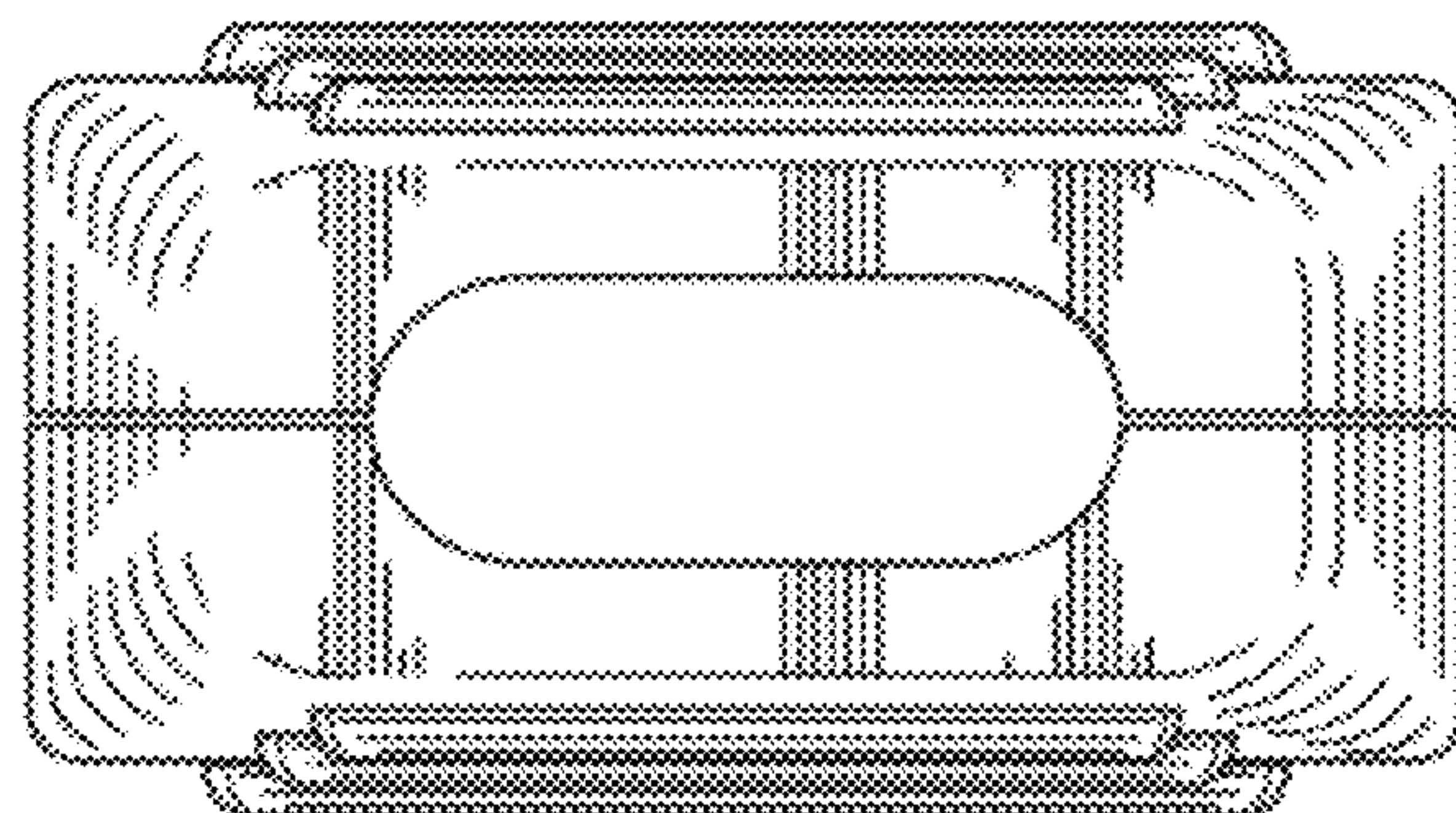


FIG. 4

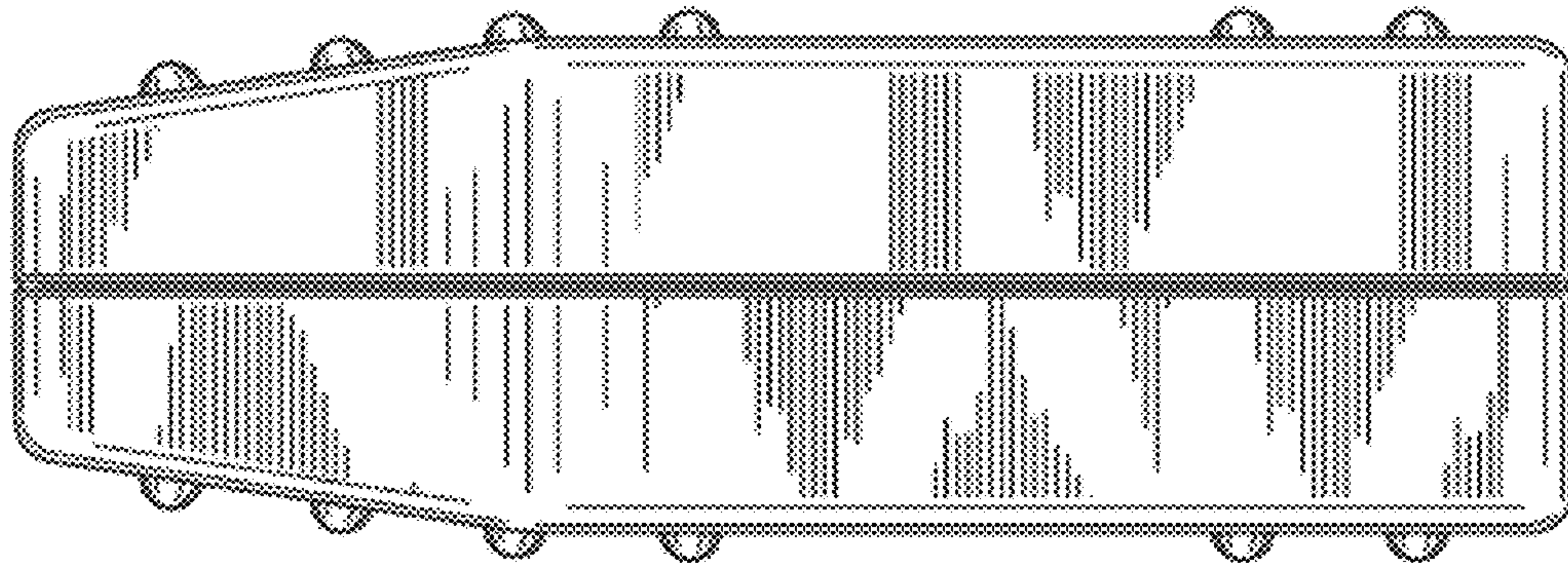


FIG. 5

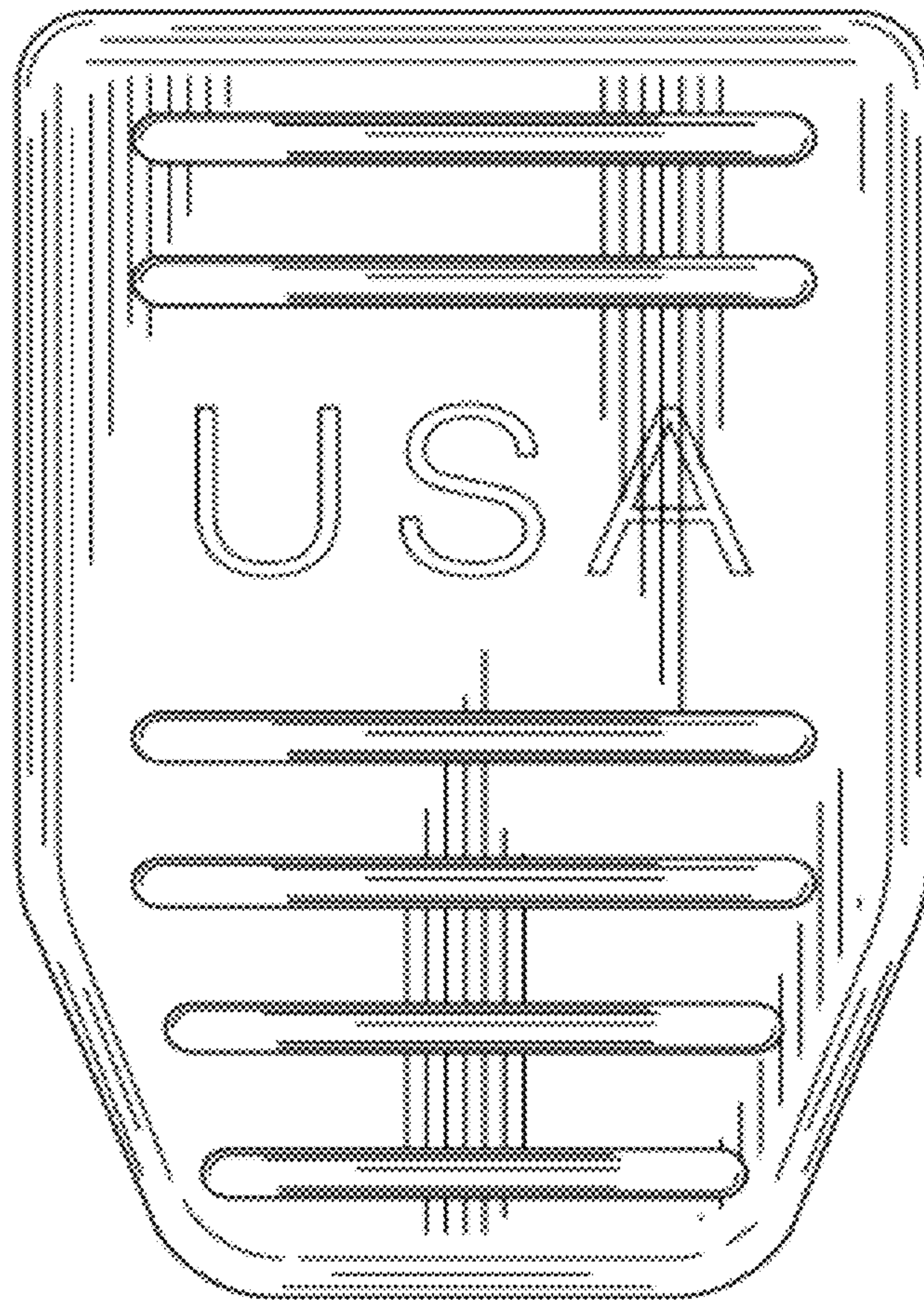


FIG. 6