



US00D675165S

(12) **United States Design Patent**
Chawgo et al.

(10) **Patent No.:** **US D675,165 S**
(45) **Date of Patent:** **** Jan. 29, 2013**

(54) **CLOSED COMPRESSION-TYPE COAXIAL
CABLE CONNECTOR**

D503,685 S * 4/2005 Montena D13/154
D505,391 S * 5/2005 Rodrigues et al. D13/151
D513,736 S * 1/2006 Fox D13/151
D578,482 S * 10/2008 Amidon D13/151

(75) Inventors: **Shawn M. Chawgo**, Cicero, NY (US);
Noah P. Montena, Syracuse, NY (US)

* cited by examiner

(73) Assignee: **John Mezzalingua Associates, Inc.**, E.
Syracuse, NY (US)

Primary Examiner — Derrick Holland
(74) *Attorney, Agent, or Firm* — Schmeiser, Olsen & Watts,
LLP

(**) Term: **14 Years**

(21) Appl. No.: **29/396,850**

(57) **CLAIM**
The ornamental design for a closed compression-type coaxial
cable connector, as shown and described.

(22) Filed: **Jul. 7, 2011**

(51) **LOC (9) Cl.** **13-03**

(52) **U.S. Cl.** **D13/151**

(58) **Field of Classification Search** D13/151,
D13/133, 149, 150, 153, 154, 156, 184, 199;
307/10.1; 333/81 A, 81 R; 411/7, 11, 190;
439/180, 296, 321, 322, 345, 578-585, 656,
439/660, 666, 686

DESCRIPTION

See application file for complete search history.

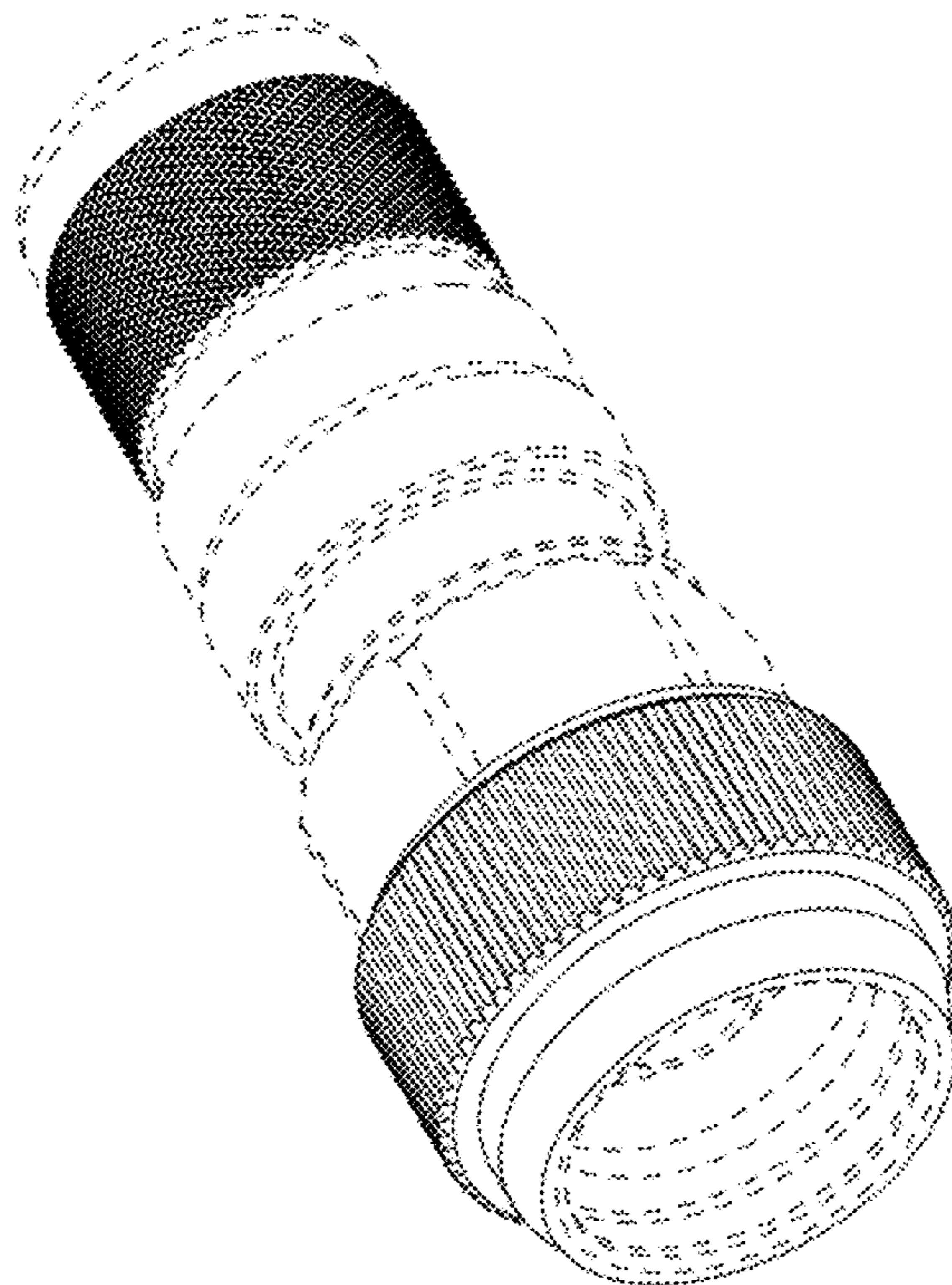
FIG. 1 is a front perspective view showing our design for a
closed compression-type coaxial cable connector;
FIG. 2 is a top plan view thereof, the claimed portion of which
is a mirror image to a bottom plan view;
FIG. 3 is a left side elevation view thereof, the claimed portion
of which is a mirror image to the right side elevation view;
FIG. 4 is a front elevation view thereof; and,
FIG. 5 is a back elevation view thereof.
The broken lines shown represent unclaimed subject matter
only and form no part of the claim. Where broken lines abut a
claimed surface it is understood that those broken lines rep-
resent an unclaimed boundary between claimed and
unclaimed surfaces. None of the broken lines form any part of
the claimed design.

(56) **References Cited**

U.S. PATENT DOCUMENTS

D355,641 S * 2/1995 Down D13/151
5,456,611 A * 10/1995 Henry et al. 439/180
5,456,614 A * 10/1995 Szegda 439/321
5,466,173 A * 11/1995 Down 439/584
D440,939 S * 4/2001 Montena D13/133
D462,060 S * 8/2002 Fox D13/154

1 Claim, 5 Drawing Sheets



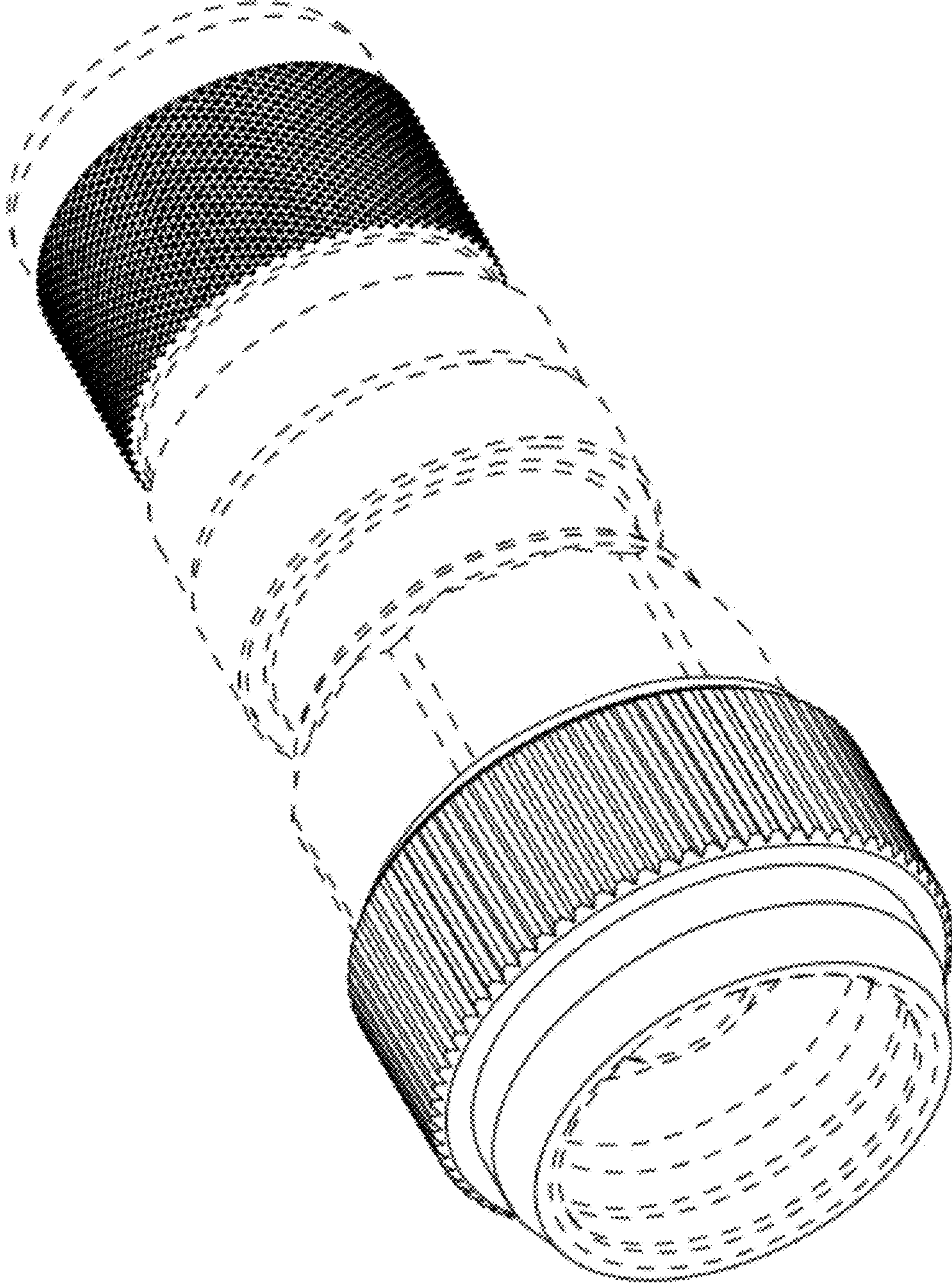


FIG. 1

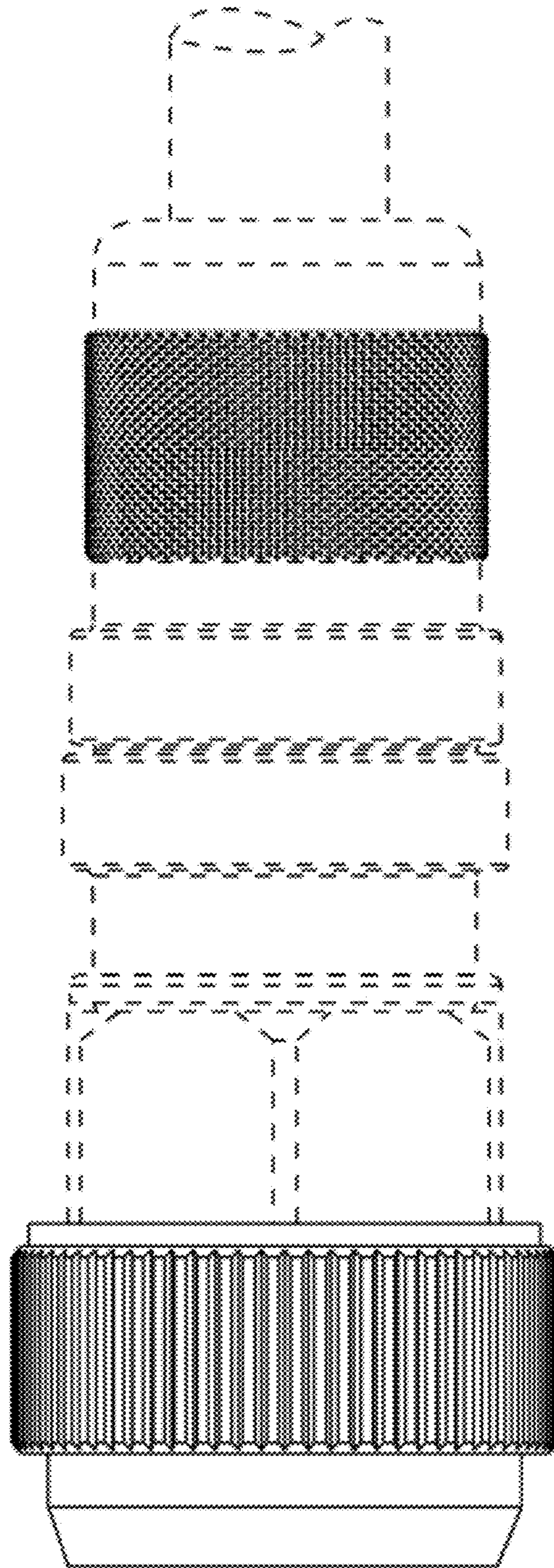


FIG. 2

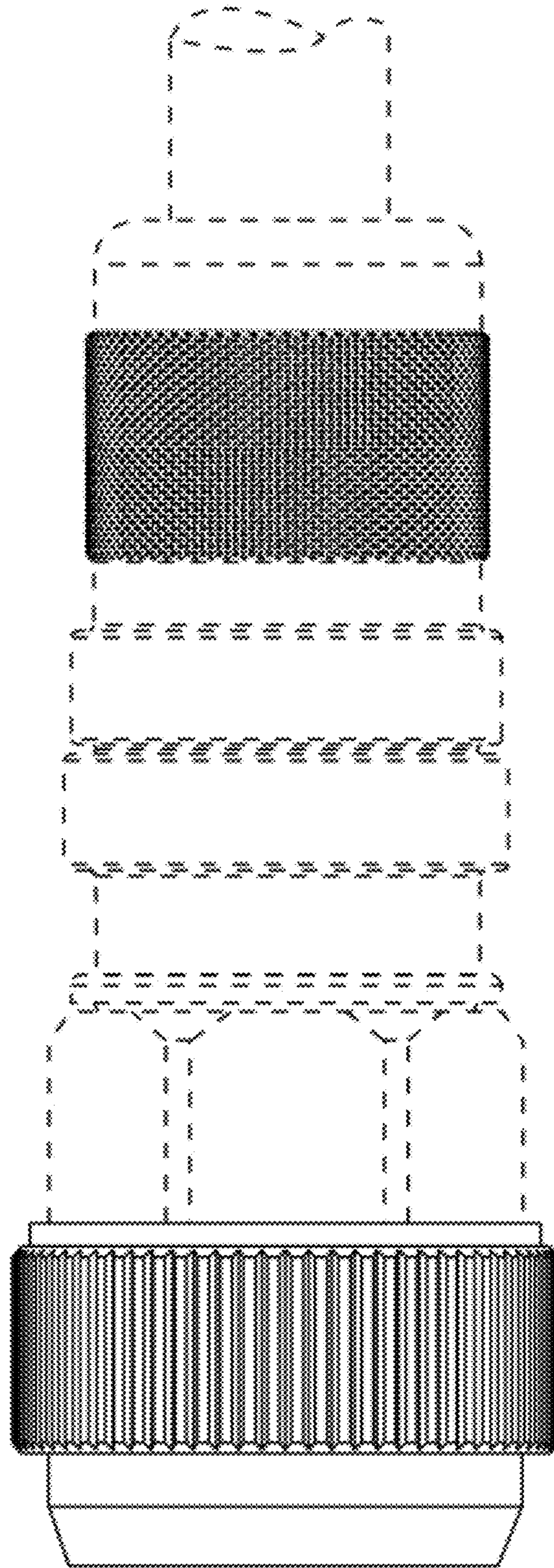


FIG. 3

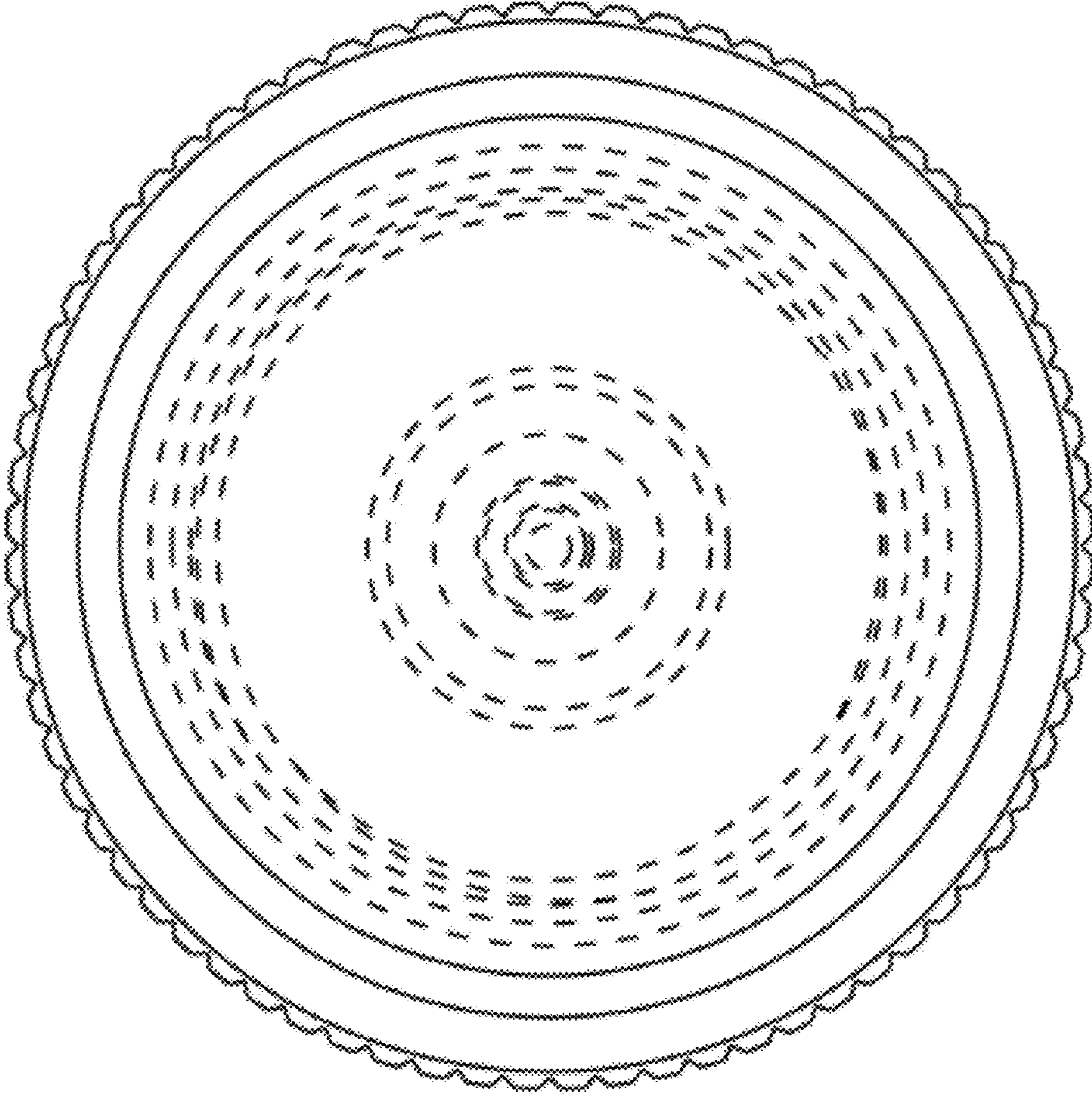


FIG. 4

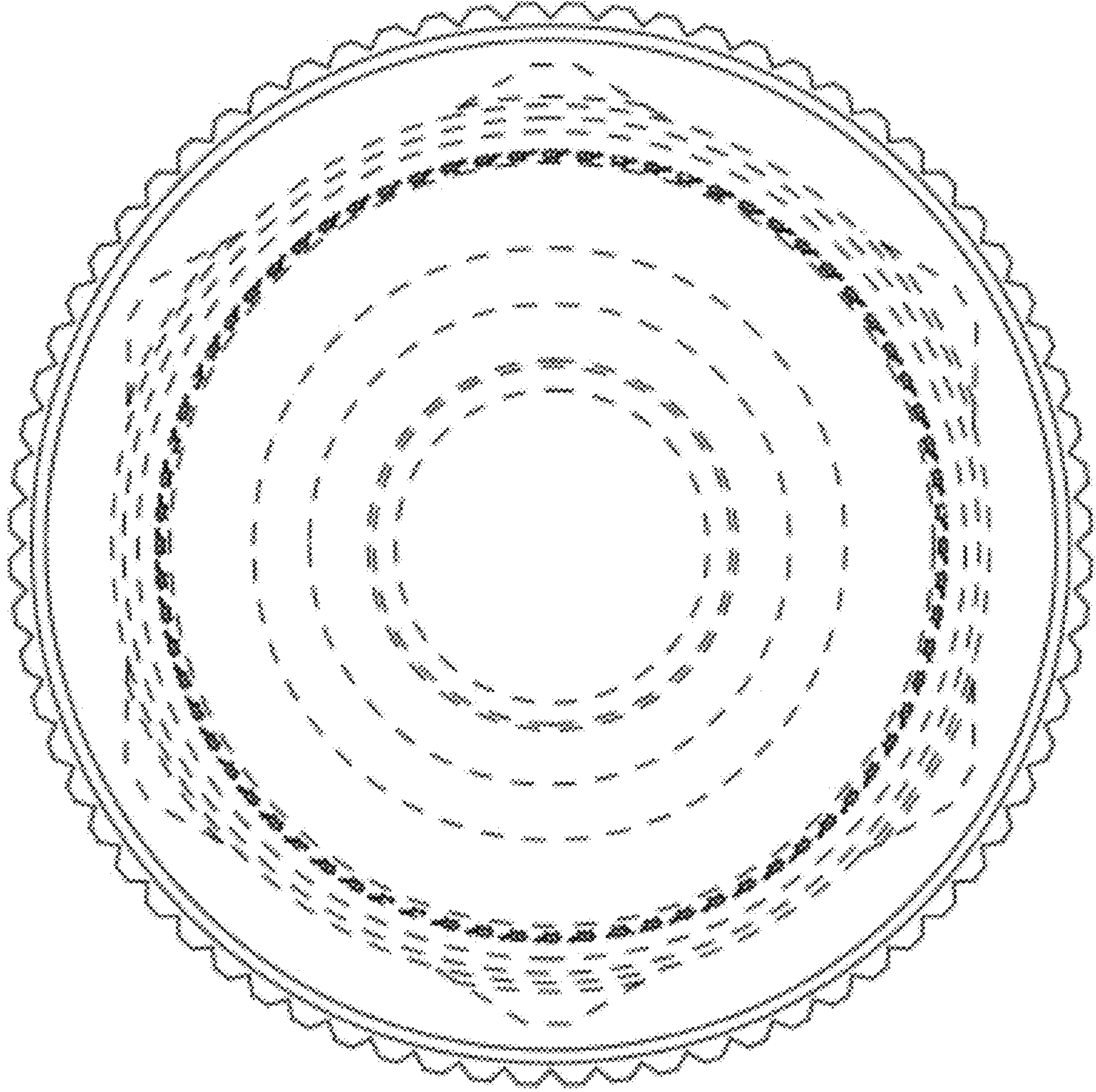


FIG. 5