



US00D675164S

(12) **United States Design Patent**
Kobayashi et al.

(10) **Patent No.:** **US D675,164 S**
(45) **Date of Patent:** **** Jan. 29, 2013**

(54) **ELECTRICAL CONNECTOR**

(75) Inventors: **Hideto Kobayashi**, Isesaki (JP);
Takayuki Nagata, Yao (JP)

(73) Assignee: **Hosiden Corporation**, Yao-shi (JP)

(**) Term: **14 Years**

(21) Appl. No.: **29/418,210**

(22) Filed: **Apr. 13, 2012**

Related U.S. Application Data

(62) Division of application No. 29/389,443, filed on Apr. 12, 2011, now Pat. No. Des. 655,678.

(30) **Foreign Application Priority Data**

Nov. 11, 2010 (JP) 2010-027113
Nov. 11, 2010 (JP) 2010-027114
Nov. 11, 2010 (JP) 2010-027115

(51) **LOC (9) Cl.** **13-03**

(52) **U.S. Cl.** **D13/147**

(58) **Field of Classification Search** D13/147,
D13/154, 184, 199; 439/79, 108, 378, 567,
439/607.01, 607.04, 607.05, 607.17, 607.25,
439/607.34, 607.41, 607.53, 668, 680
See application file for complete search history.

(56) **References Cited**

U.S. PATENT DOCUMENTS

D465,459 S 11/2002 Zhu et al.
D584,688 S 1/2009 Sasada et al.

D605,132 S 12/2009 Tanaka et al.
D605,134 S 12/2009 Tanaka et al.
D650,758 S * 12/2011 Sasada et al. D13/147
D654,877 S * 2/2012 Ohtsuji D13/147
D655,678 S * 3/2012 Kobayashi et al. D13/147

FOREIGN PATENT DOCUMENTS

JP D1405402 1/2011

* cited by examiner

Primary Examiner — Daniel Bui

(74) *Attorney, Agent, or Firm* — Rankin, Hill & Clark LLP

(57) **CLAIM**

The ornamental design for an electrical connector, as shown and described.

DESCRIPTION

FIG. 1 is a front, right side and top perspective view of an electrical connector showing our new design; FIG. 2 is a front, left side and bottom perspective view thereof; FIG. 3 is a front elevation view thereof; FIG. 4 is a rear elevation view thereof; FIG. 5 is a left side view thereof, a right side view being a mirror image thereof; FIG. 6 is a top plan view thereof; and, FIG. 7 is a bottom plan view thereof. The broken line in FIG. 3 drawing view is included to show unclaimed environment and forms no part of the claimed design.

1 Claim, 4 Drawing Sheets

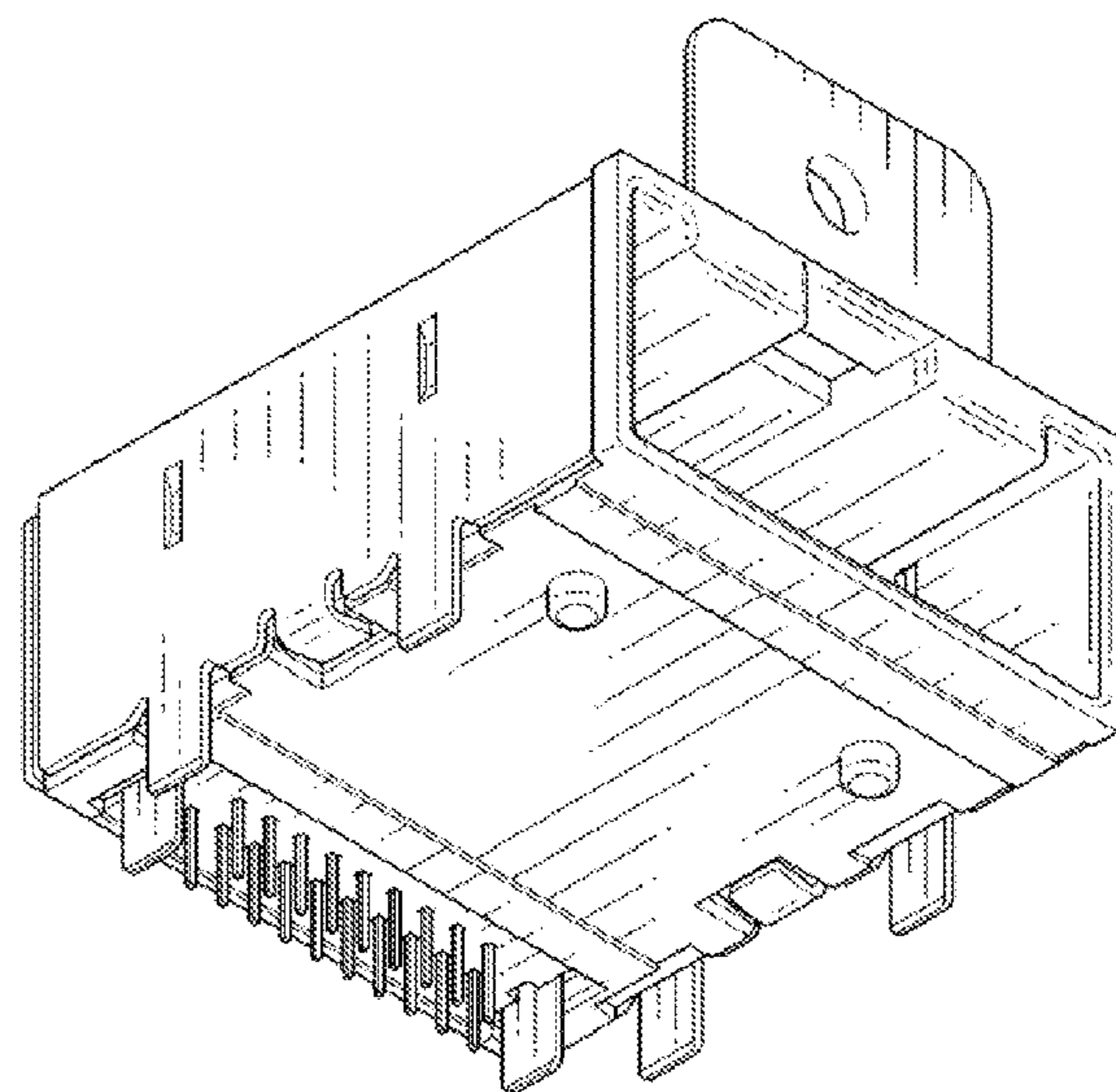
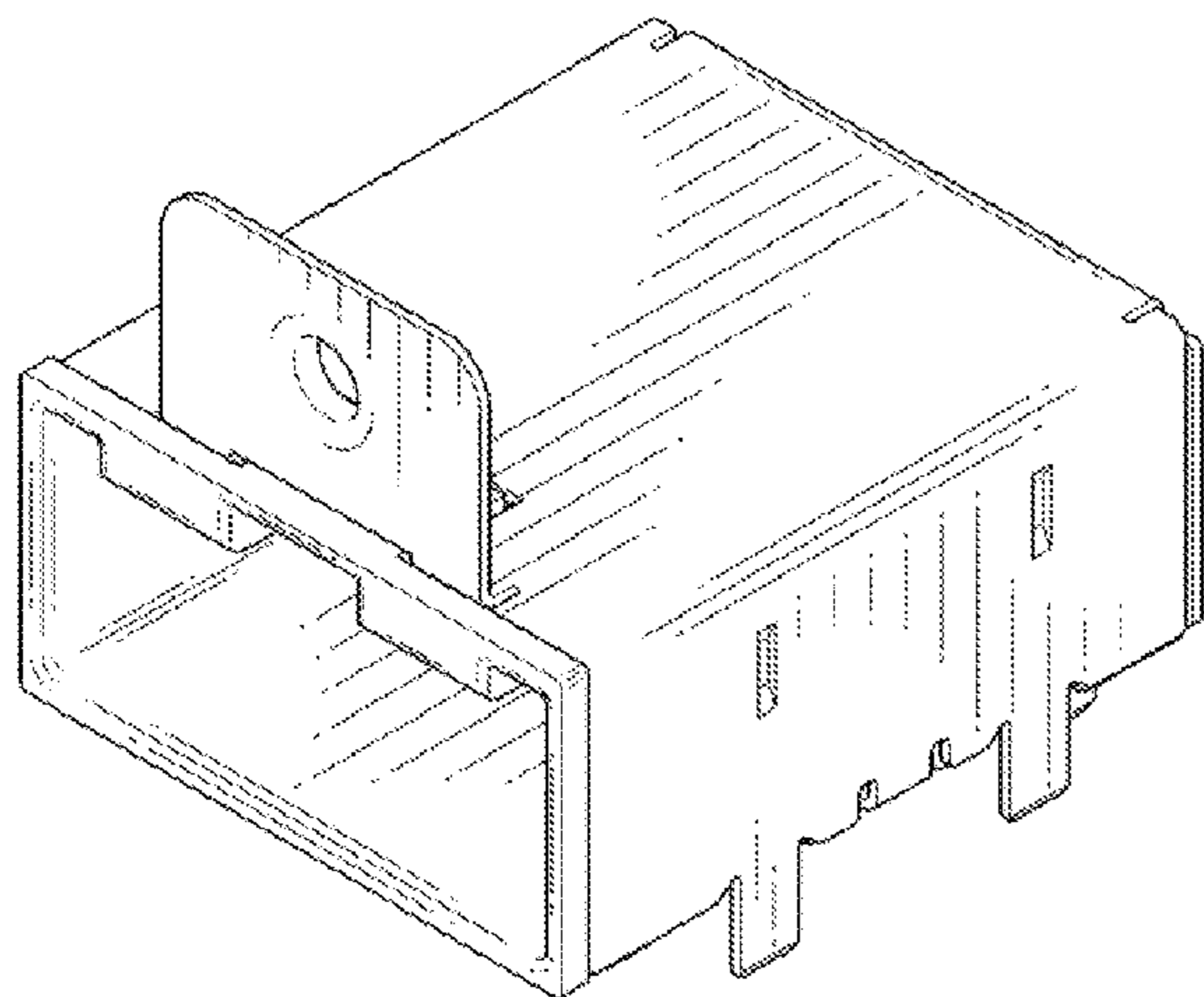


Fig. 1

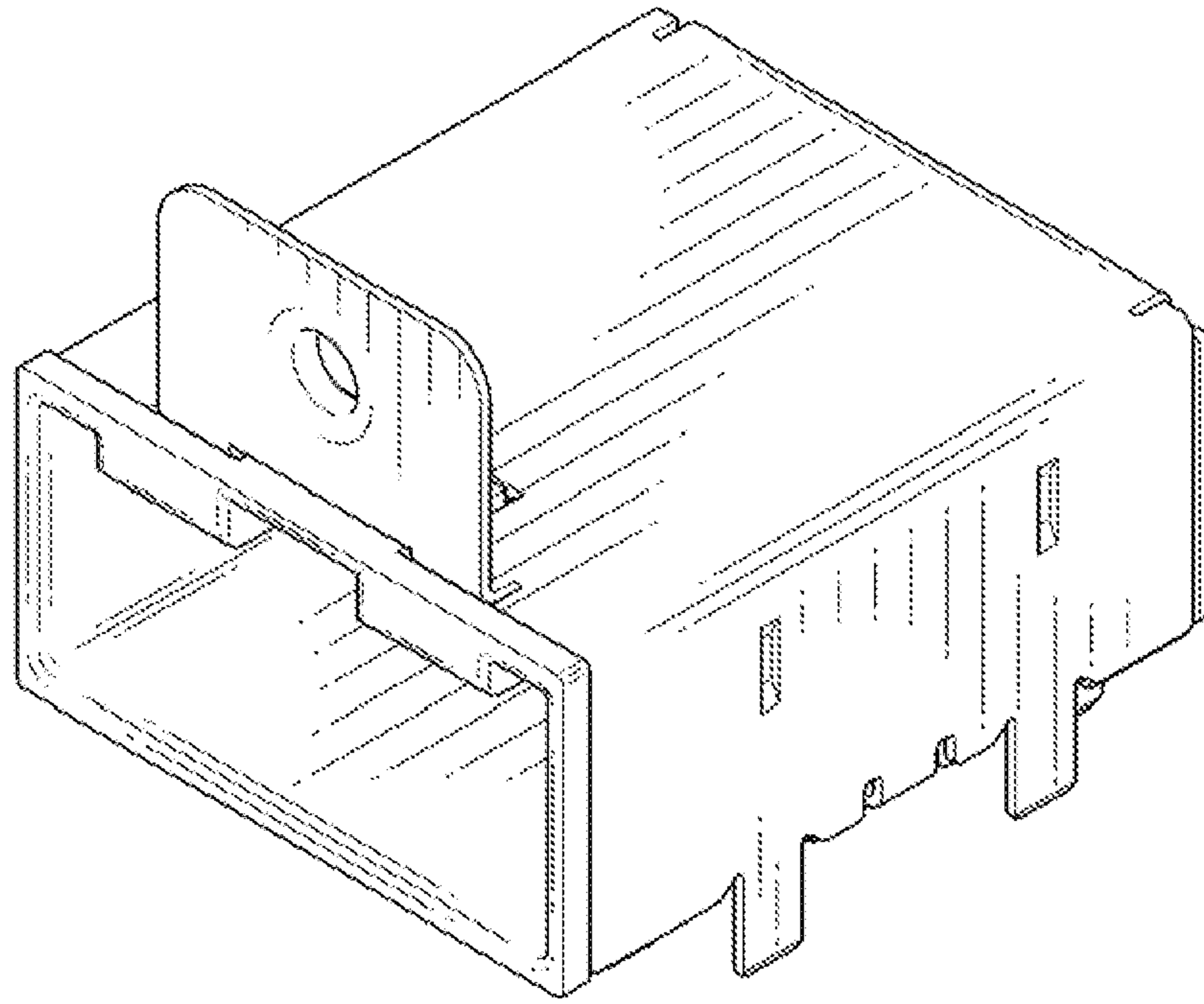


Fig. 2

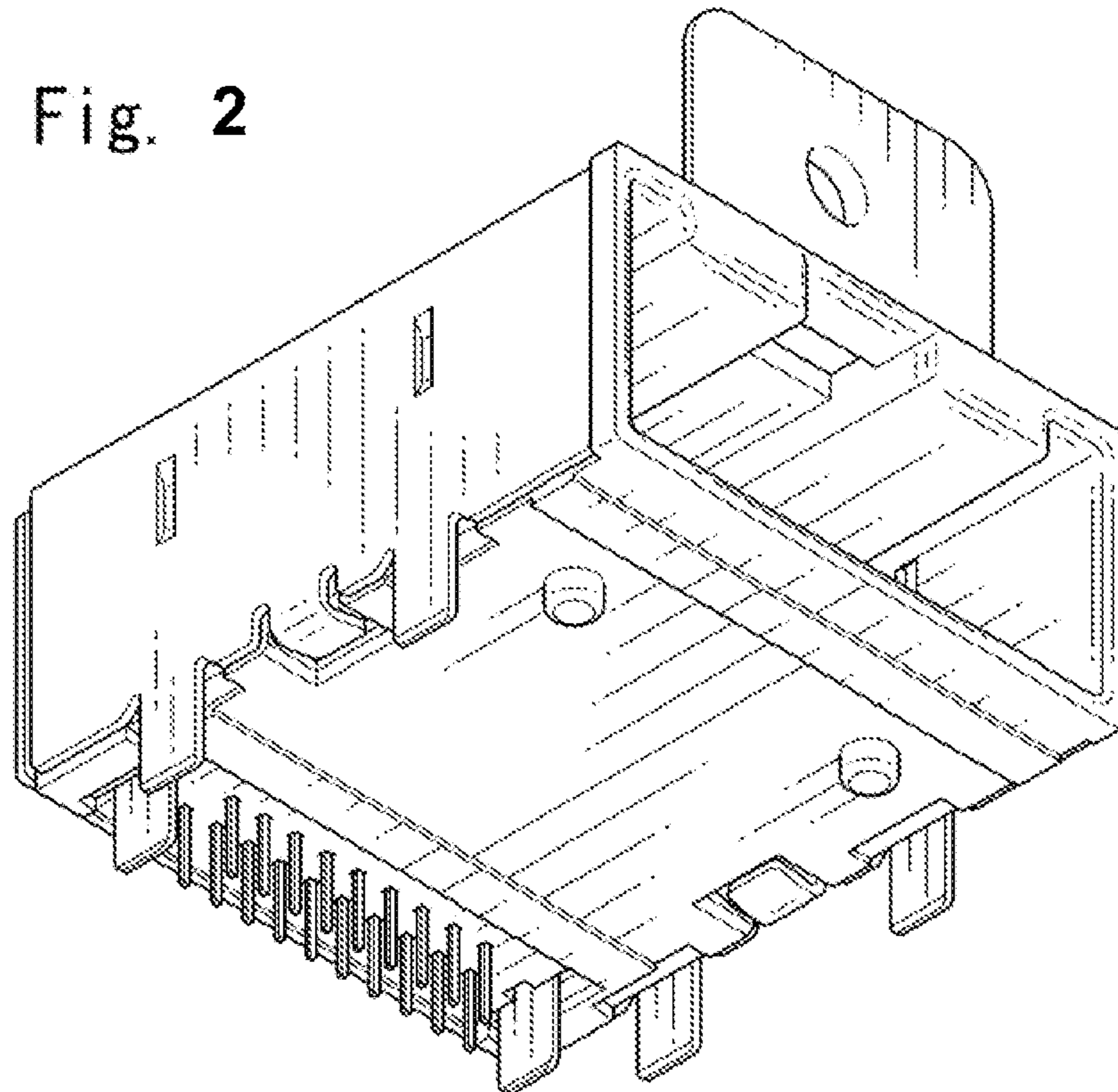


Fig. 3

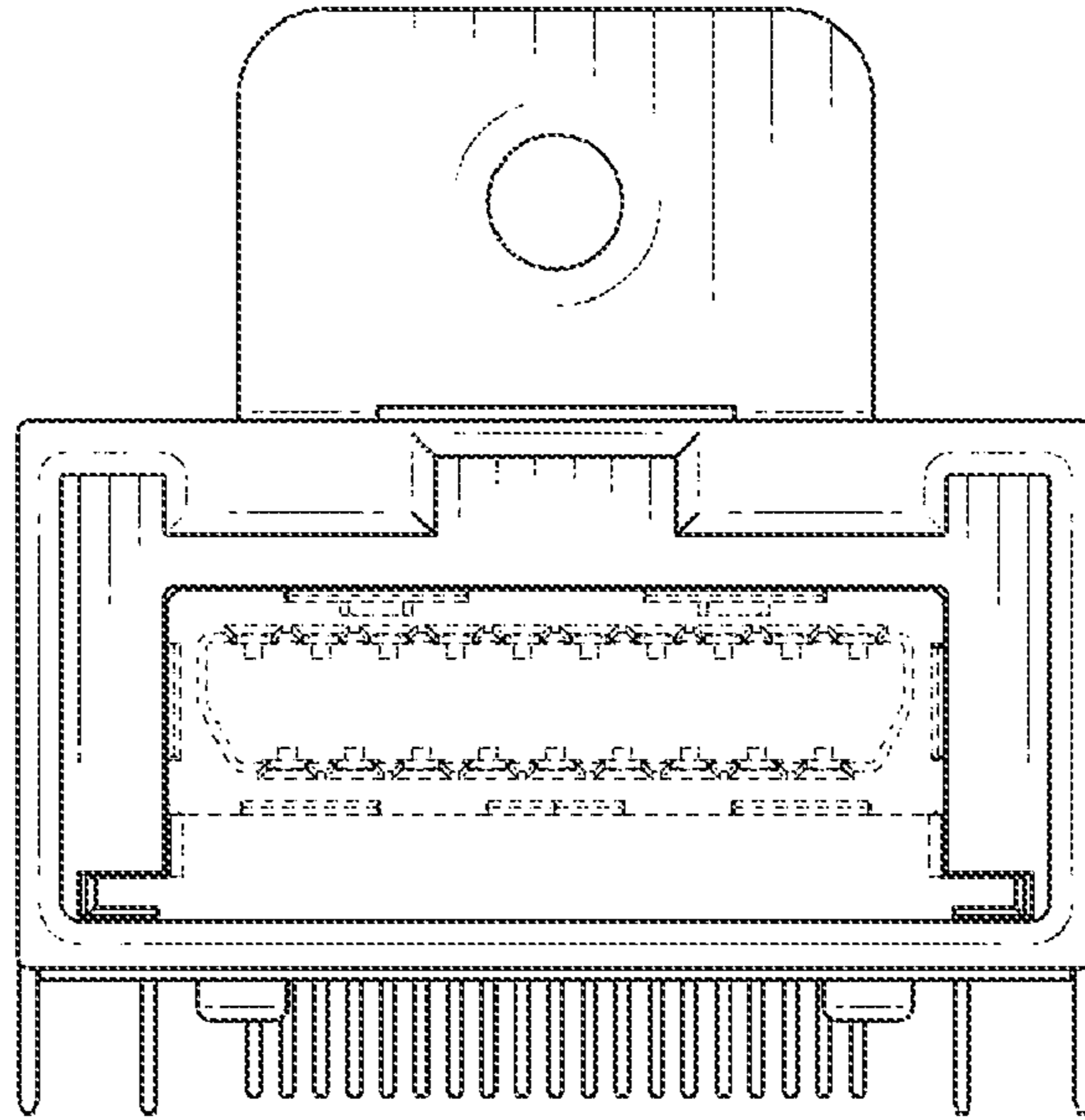


Fig. 4

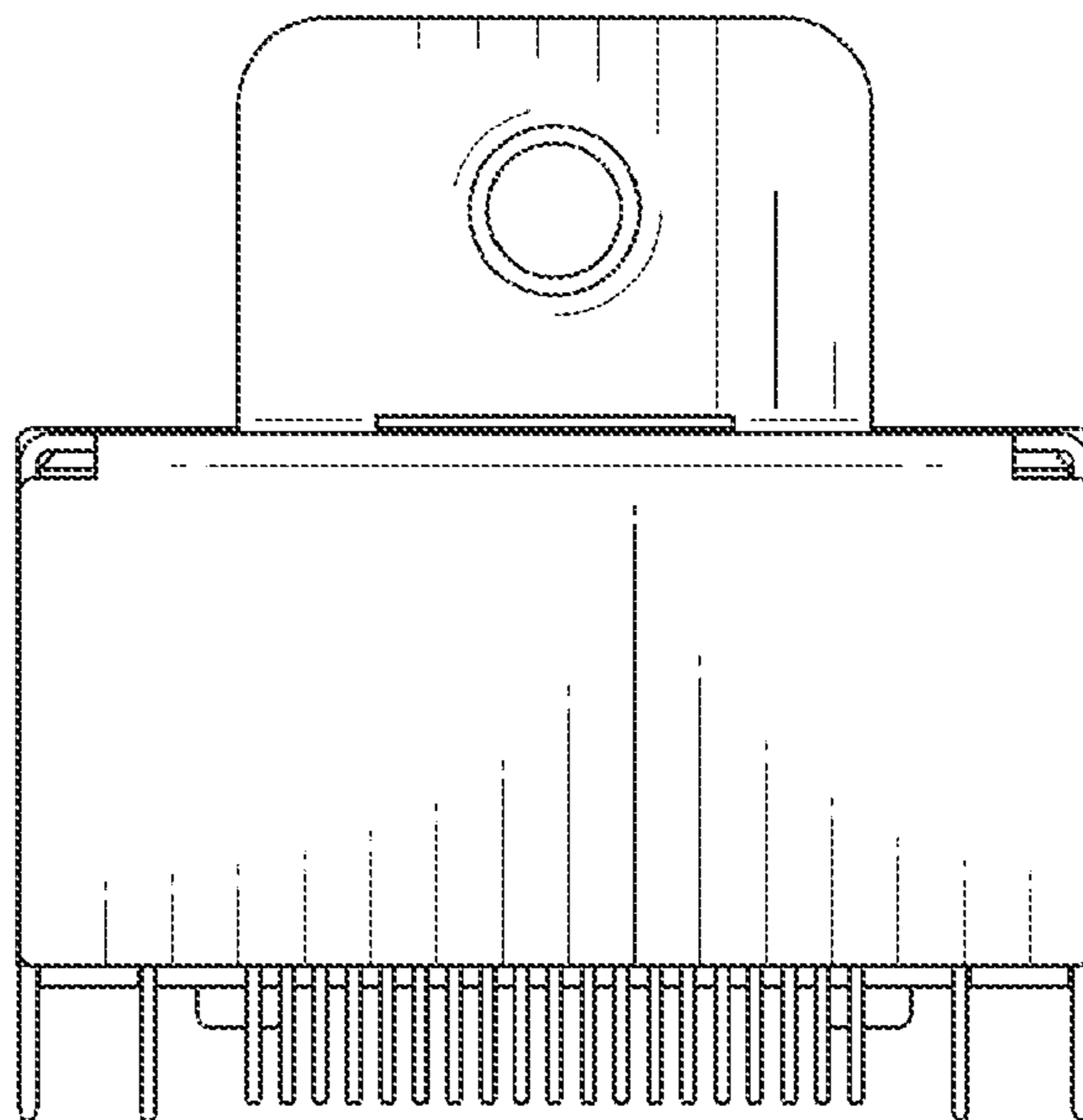


Fig. 5

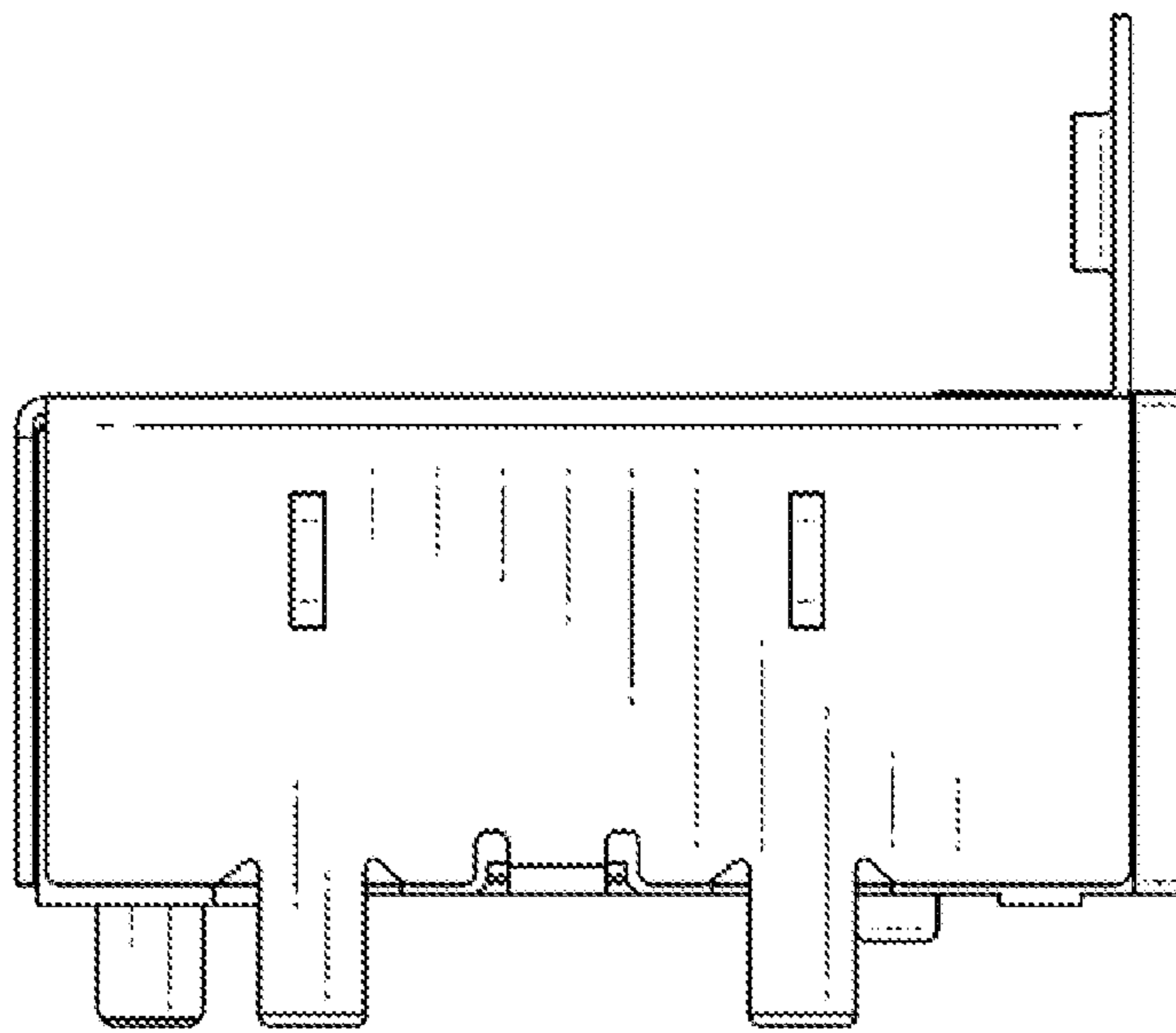


Fig. 6

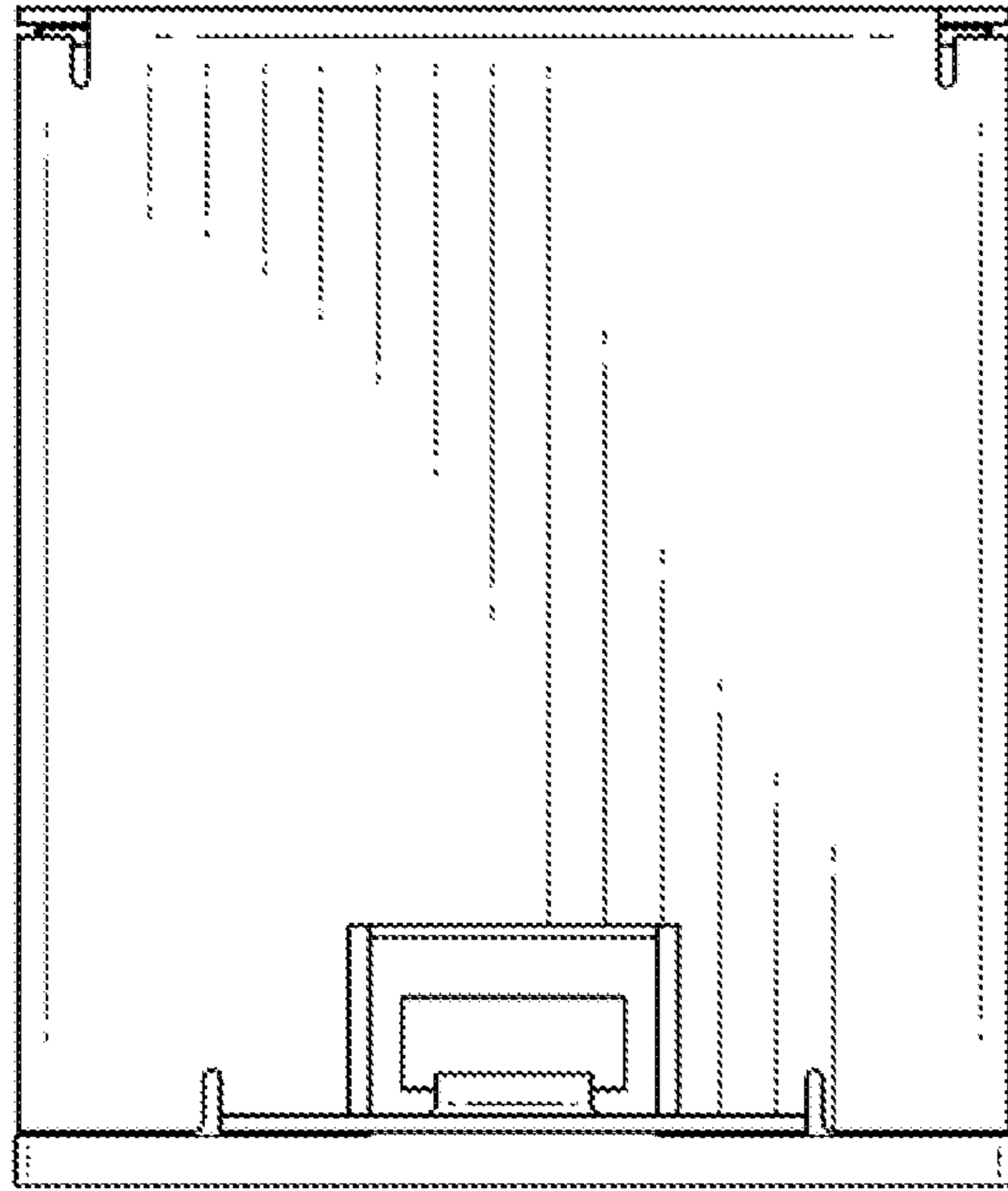


Fig. 7

