



US00D675163S

(12) **United States Design Patent**
Nagata

(10) **Patent No.:** **US D675,163 S**
(45) **Date of Patent:** **** Jan. 29, 2013**

(54) **ELECTRICAL CONNECTOR**

(75) Inventor: **Takayuki Nagata, Yao (JP)**

(73) Assignee: **Hosiden Corporation, Yao-shi (JP)**

(**) Term: **14 Years**

(21) Appl. No.: **29/385,274**

(22) Filed: **Feb. 11, 2011**

(30) **Foreign Application Priority Data**

Aug. 20, 2010 (JP) 2010-020145

(51) **LOC (9) Cl.** **13-03**

(52) **U.S. Cl.** **D13/147**

(58) **Field of Classification Search** D13/133,
D13/146, 147, 154, 184, 199; 439/79, 248,
439/258, 274, 350, 352, 353, 354, 357, 358,
439/374, 447, 476.1, 594, 598, 607.01, 607.04,
439/607.05, 607.17, 607.25, 607.34, 607.41,
439/607.53, 656, 660, 668, 680, 711, 745,
439/752

See application file for complete search history.

(56) **References Cited**

U.S. PATENT DOCUMENTS

D295,850 S * 5/1988 Kikuta D13/147
D298,030 S * 10/1988 Kikuta D13/147
D311,380 S * 10/1990 Kameyama et al. D13/147

D320,975 S * 10/1991 Kawashima et al. D13/147
D332,774 S * 1/1993 Watanabe et al. D13/147
D335,649 S * 5/1993 Ogawa D13/147
D524,751 S * 7/2006 Lee et al. D13/147
D605,133 S * 12/2009 Tanaka et al. D13/147
D635,929 S * 4/2011 Kawakami et al. D13/147
D639,746 S * 6/2011 Lee et al. D13/147
D640,634 S * 6/2011 Lee et al. D13/147

* cited by examiner

Primary Examiner — Daniel Bui

(74) *Attorney, Agent, or Firm* — Rankin, Hill & Clark LLP

(57) **CLAIM**

The ornamental design for an electrical connector, as shown and described.

DESCRIPTION

FIG. 1 is a front, right side and top perspective view of an electrical connector showing my new design;
FIG. 2 is a front elevation view thereof;
FIG. 3 is a rear elevation view thereof;
FIG. 4 is a left side view thereof, a right side view being a mirror image thereof;
FIG. 5 is a top plan view thereof; and,
FIG. 6 is a bottom plan view thereof.
The broken line portion in the figure drawings is included to show unclaimed environment and forms no part of the claimed design.

1 Claim, 4 Drawing Sheets

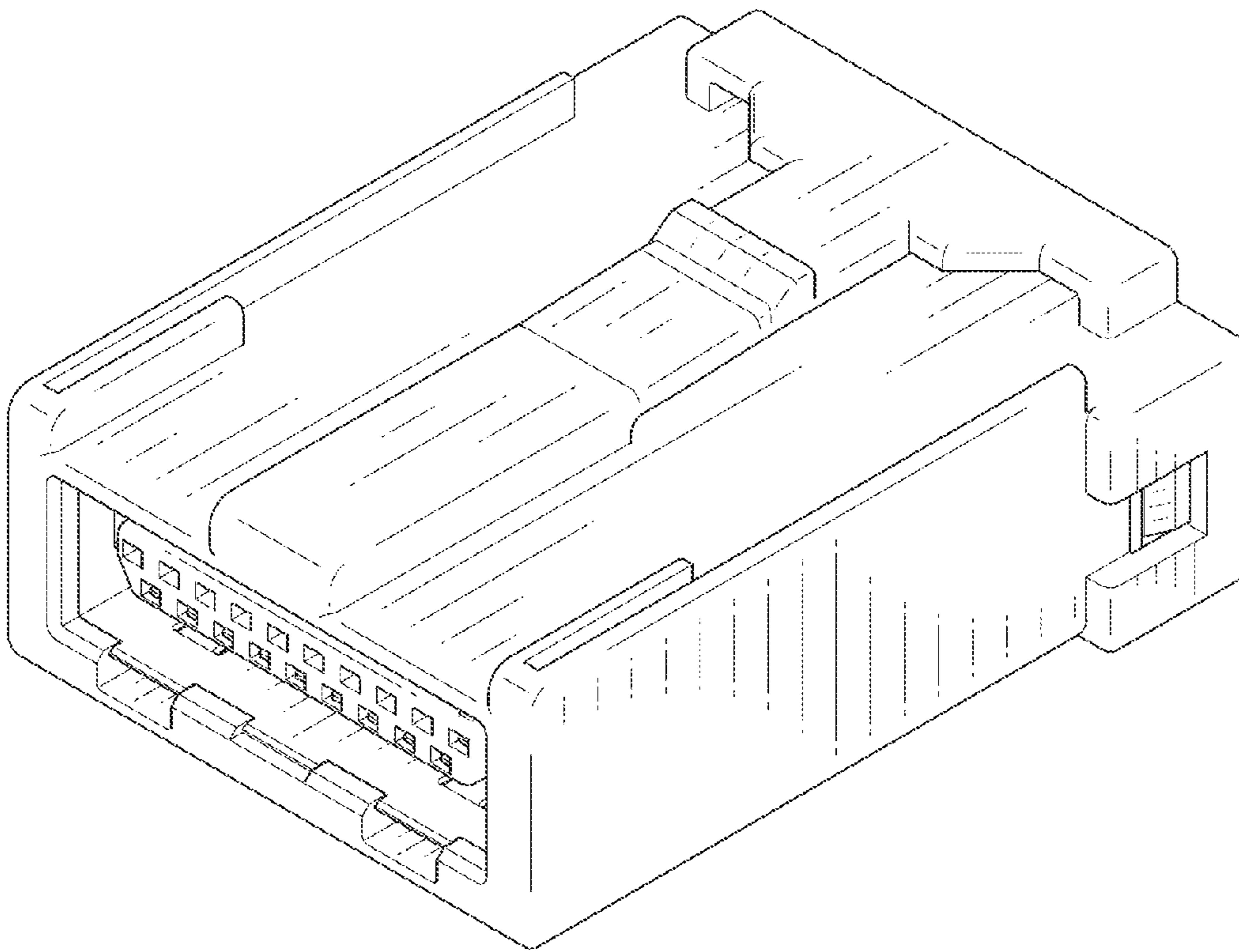


Fig. 1

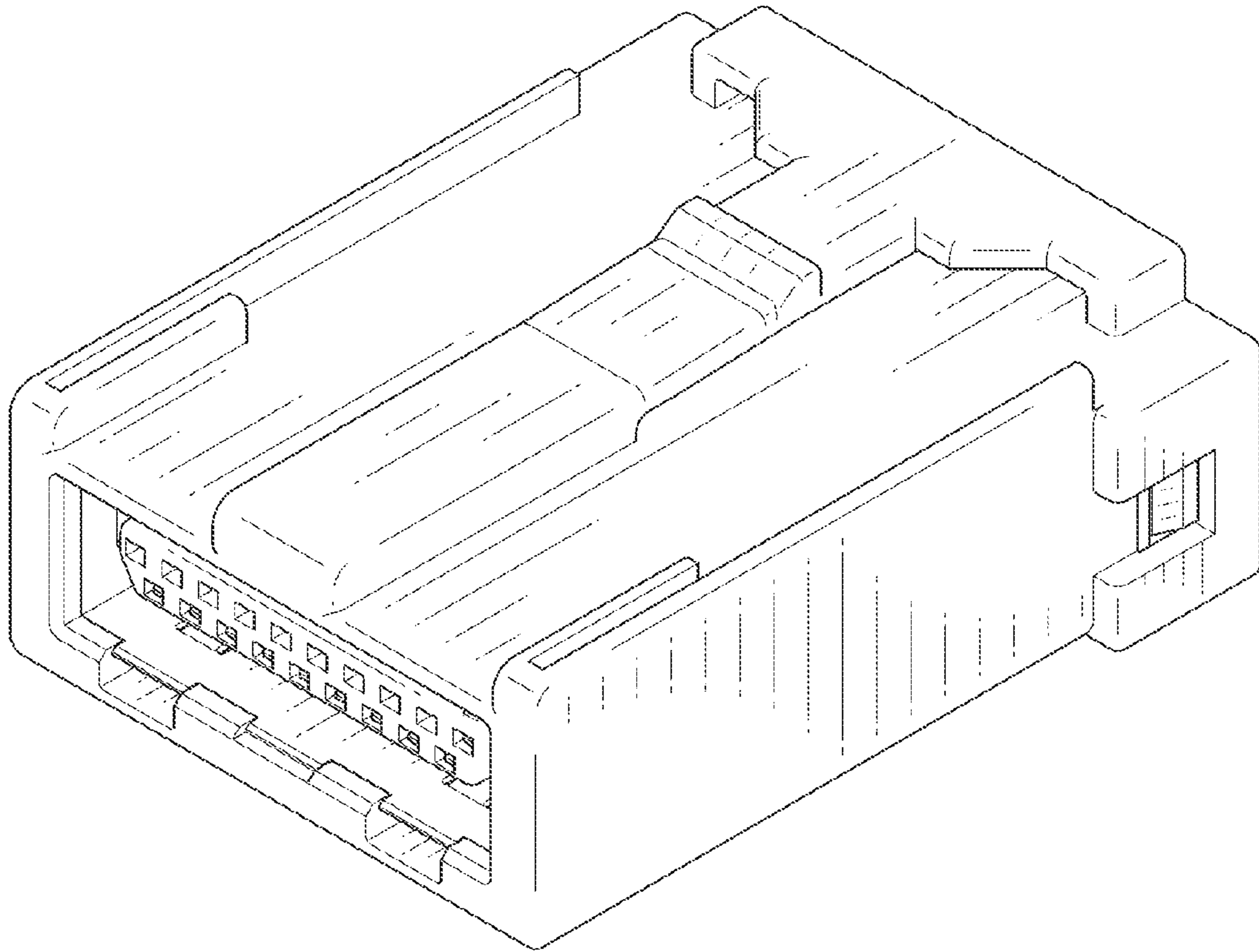


Fig. 2

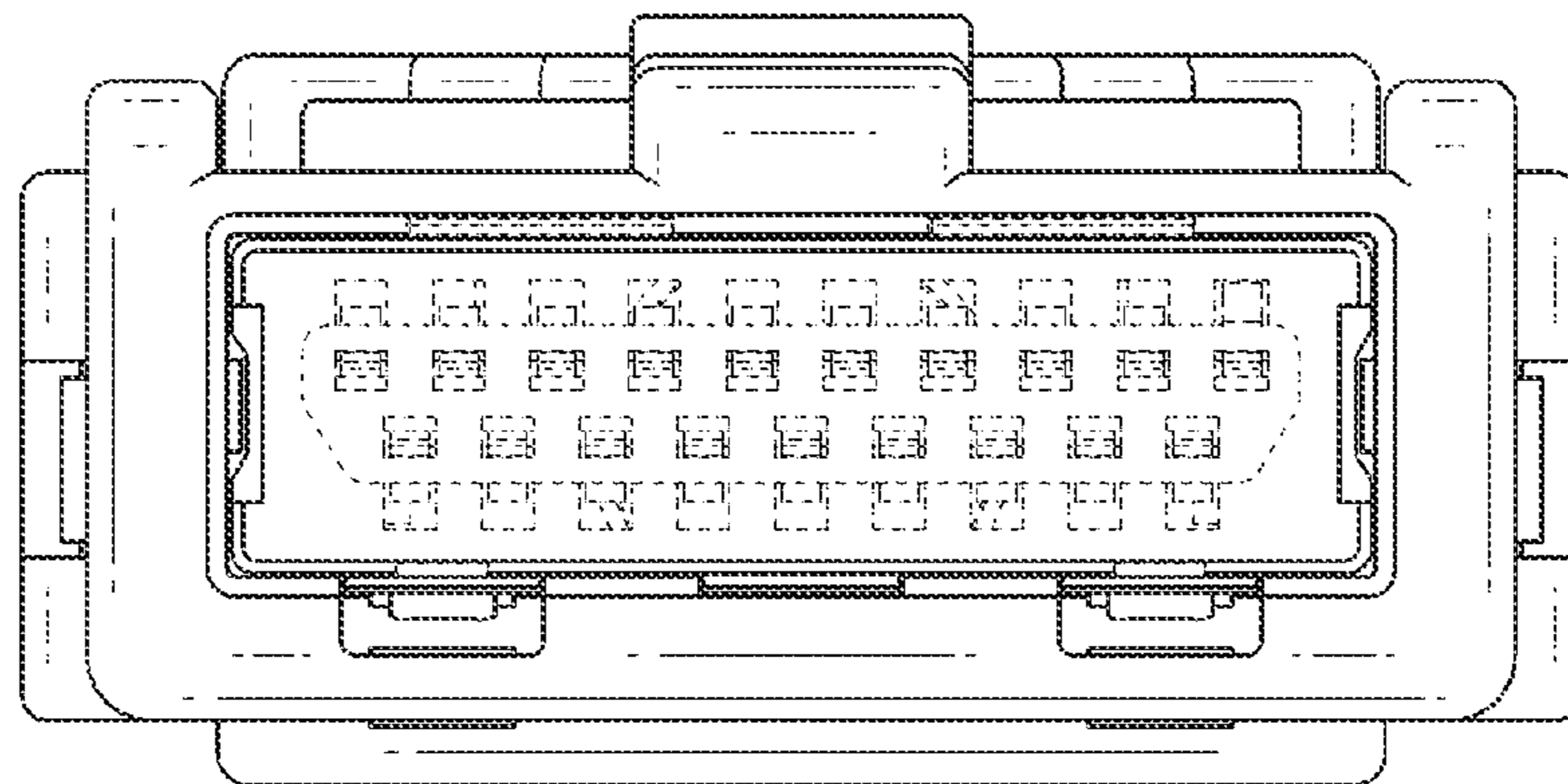


Fig. 3

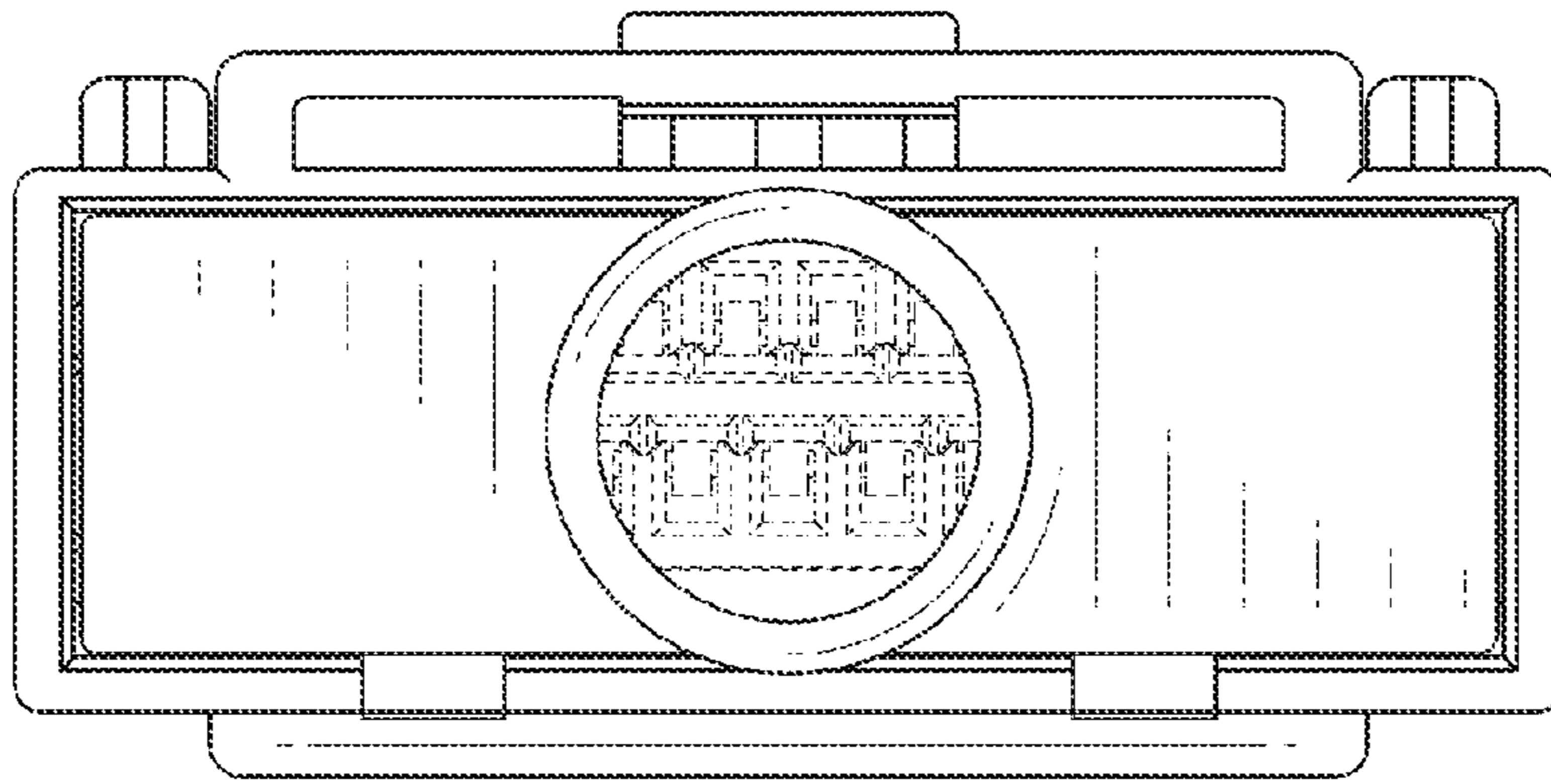


Fig. 4

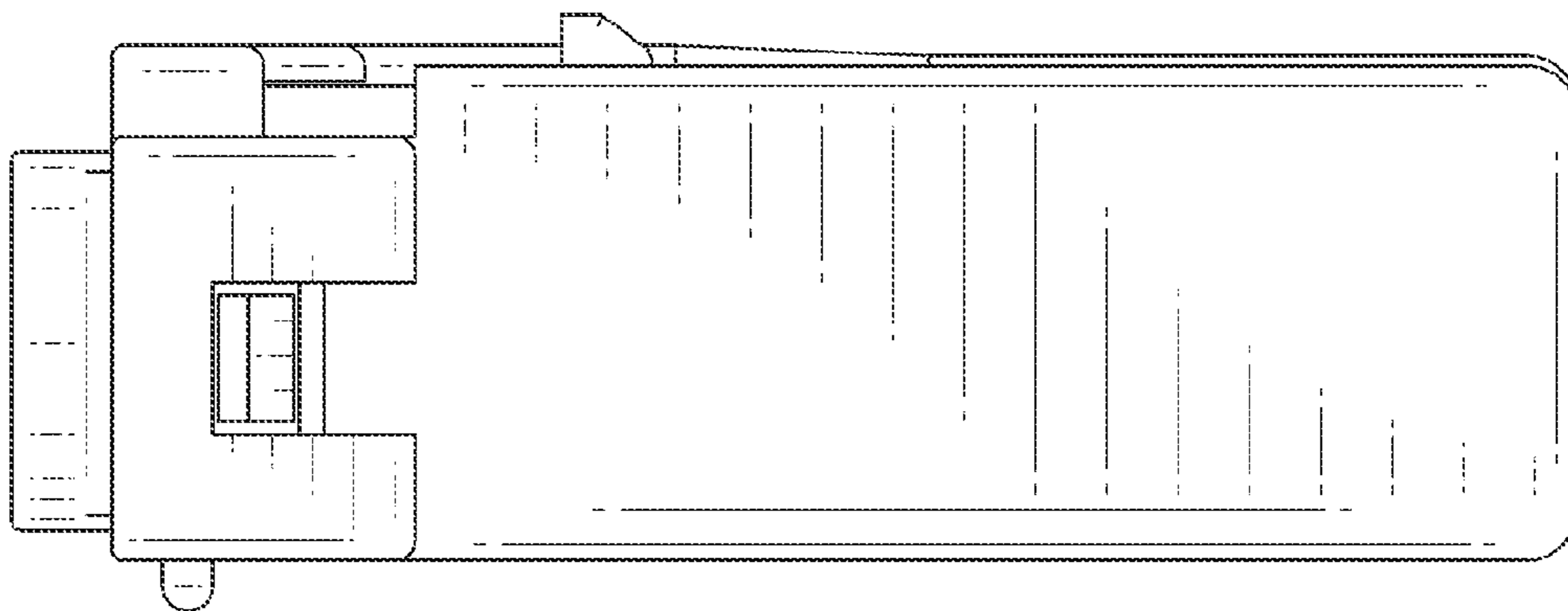


Fig. 5

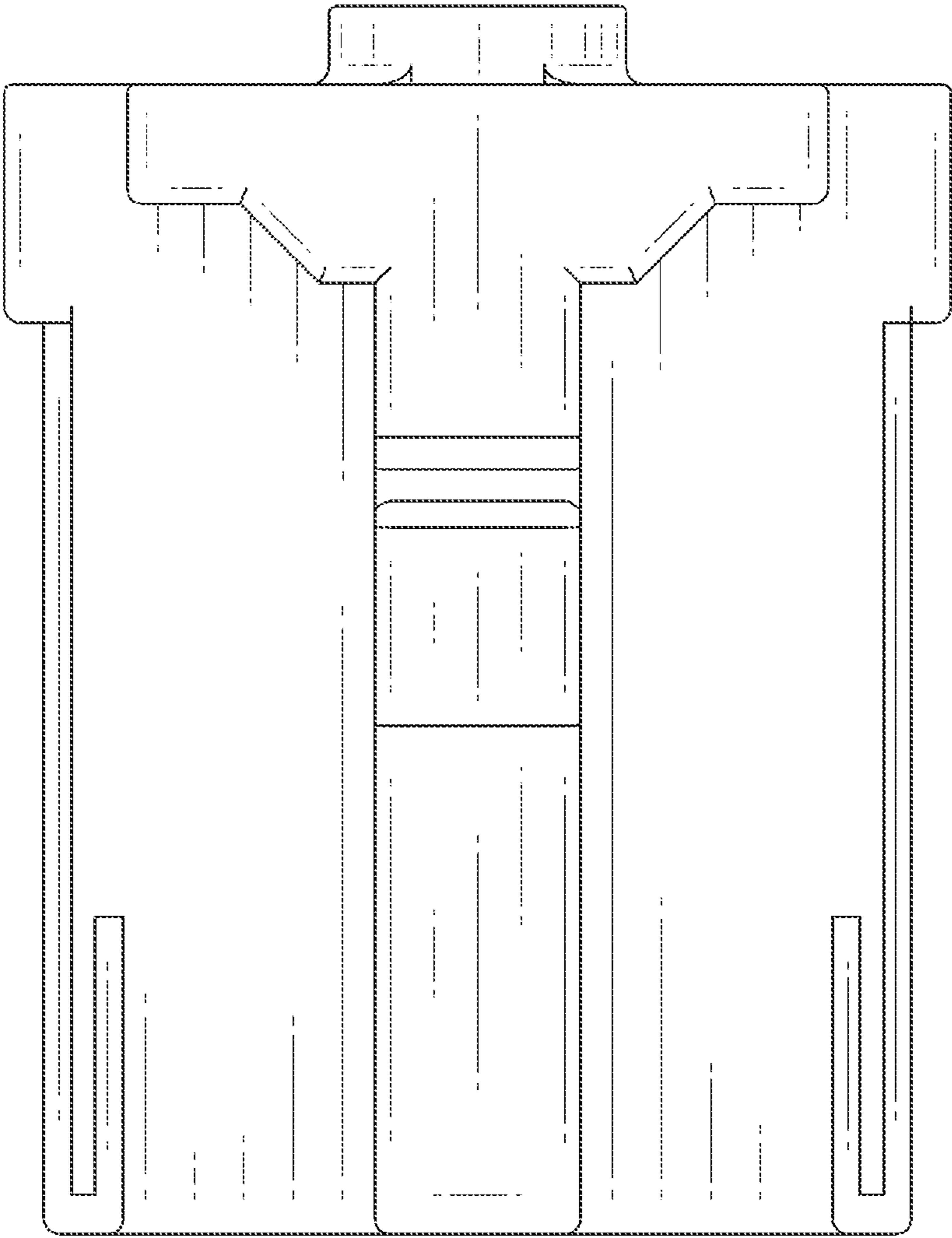


Fig. 6

