



US00D675161S

(12) **United States Design Patent**
Rayner

(10) **Patent No.:** **US D675,161 S**
(45) **Date of Patent:** **** Jan. 29, 2013**

- (54) **ELECTRONIC CONNECTOR AND APERTURE PLUG**
- (75) Inventor: **Gary Rayner**, Lemon Grove, CA (US)
- (73) Assignee: **TreeFrog Developments, Inc.**, San Diego, CA (US)
- (**) Term: **14 Years**
- (21) Appl. No.: **29/407,688**
- (22) Filed: **Dec. 1, 2011**
- (51) **LOC (9) Cl.** **13-03**
- (52) **U.S. Cl.** **D13/133**
- (58) **Field of Classification Search** D13/133, D13/154, 184, 199; 439/180, 246, 252, 278, 439/374, 378, 380, 381, 527, 529, 606, 668-669, 439/675-676, 680, 750-751, 892, 894
See application file for complete search history.

- D546,285 S * 7/2007 Ledbetter et al. D13/133
- D592,596 S * 5/2009 Kolton D13/133
- D604,252 S * 11/2009 Yudate D13/154
- D645,022 S * 9/2011 Lee et al. D14/205

* cited by examiner

Primary Examiner — Daniel Bui

(74) *Attorney, Agent, or Firm* — Lathrop & Gage, LLP; Sean M. Couglin, Esq.

(57) **CLAIM**

The ornamental design for an electronic connector and aperture plug, as shown and described herein.

DESCRIPTION

FIG. 1 is a front perspective view of an electronic connector and aperture plug, showing my new design;
FIG. 2 is a side view thereof;
FIG. 3 is a rear perspective view thereof;
FIG. 4 is another front perspective view thereof;
FIG. 5 is another side view thereof;
FIG. 6 is another front perspective view thereof; and,
FIG. 7 is another front perspective view thereof, in use condition.

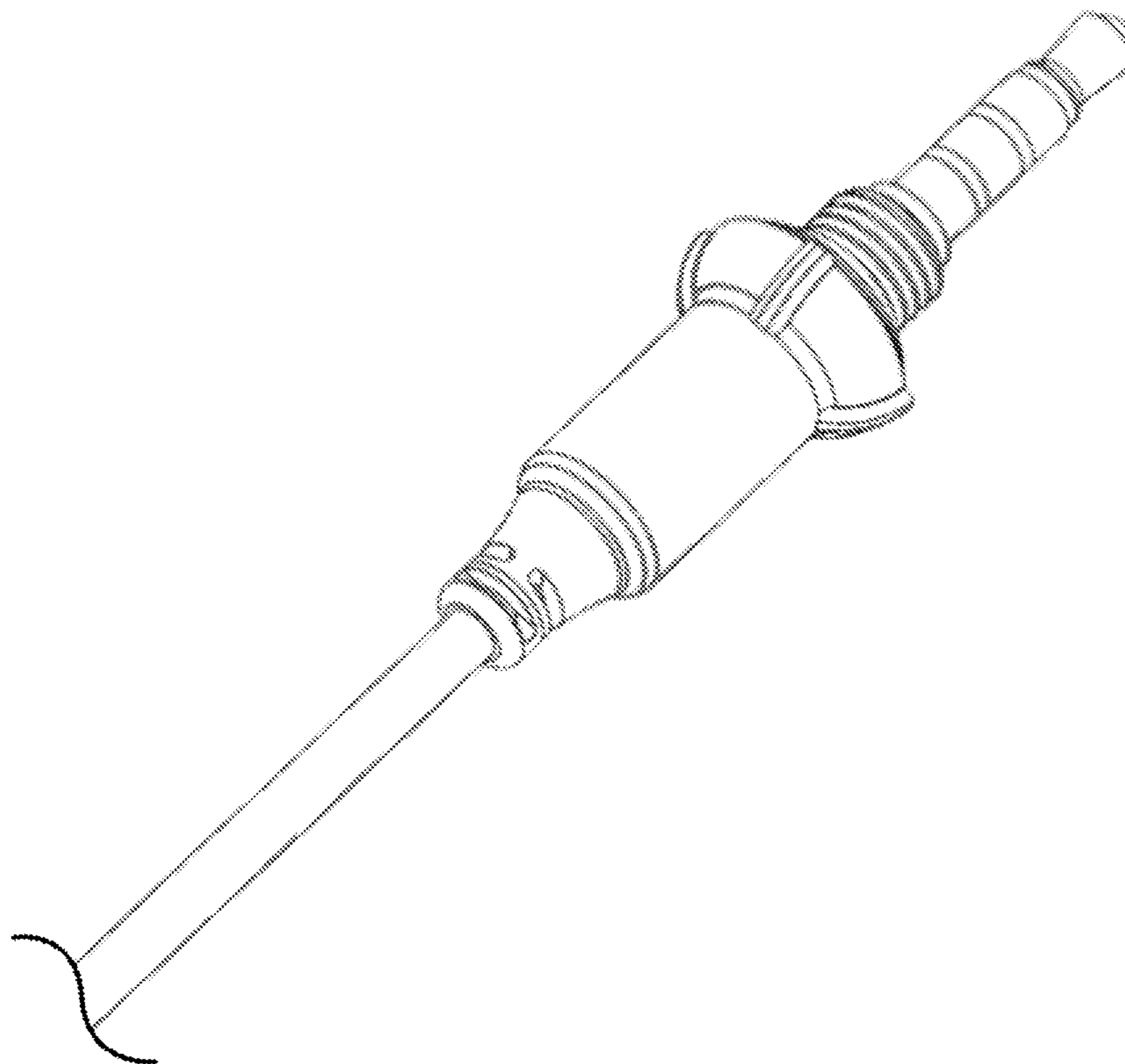
The broken line in FIG. 7 is included to show unclaimed environment only and forms no part of the claimed design.

1 Claim, 7 Drawing Sheets

(56) **References Cited**

U.S. PATENT DOCUMENTS

- D328,280 S * 7/1992 Lee D13/133
- D399,185 S * 10/1998 Lin D13/133
- D405,050 S * 2/1999 Lee D13/133
- D453,322 S * 2/2002 Lee D13/154
- 6,406,313 B1 * 6/2002 Victor 439/175
- D508,466 S * 8/2005 Dobler D13/154



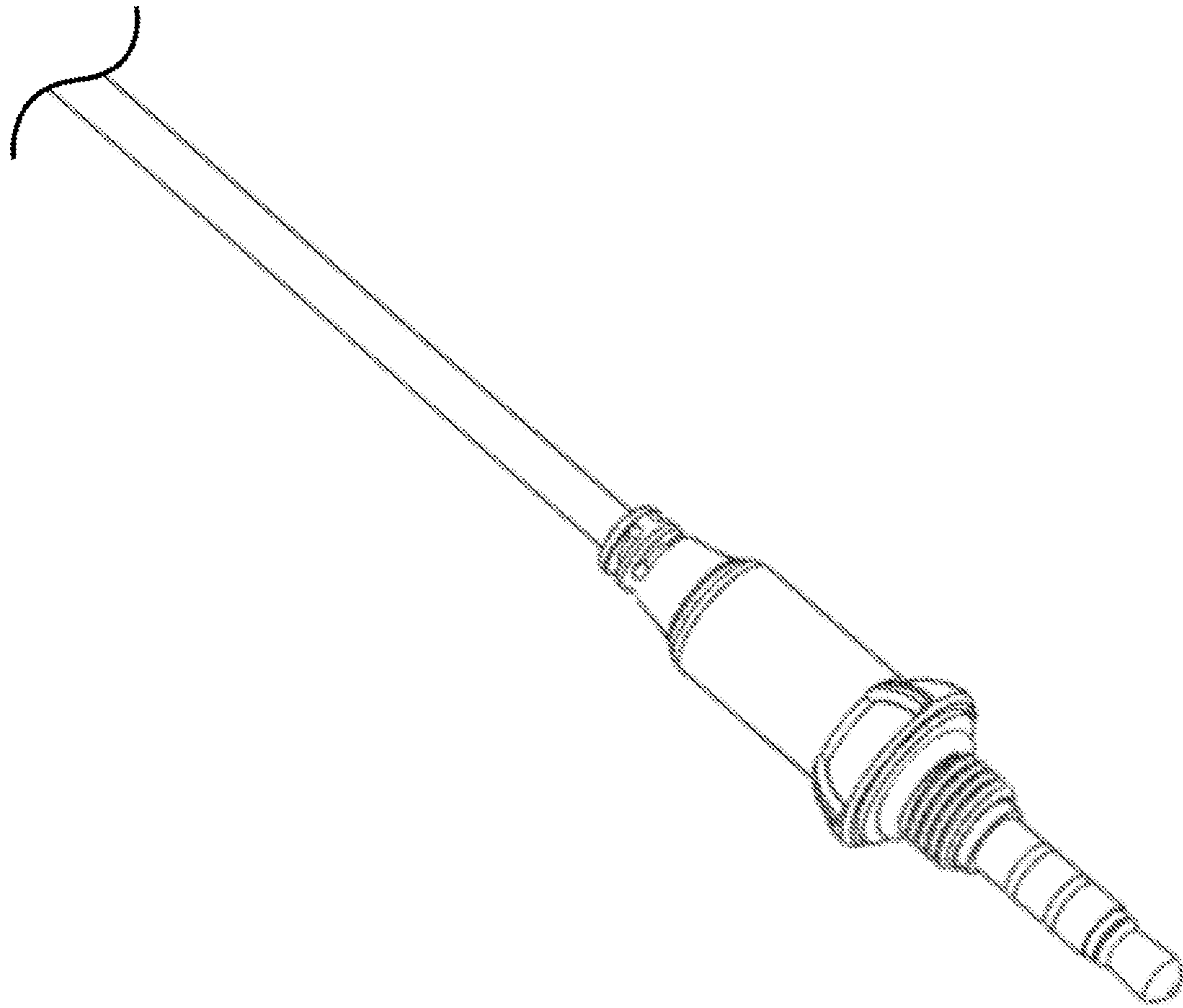


FIGURE 1

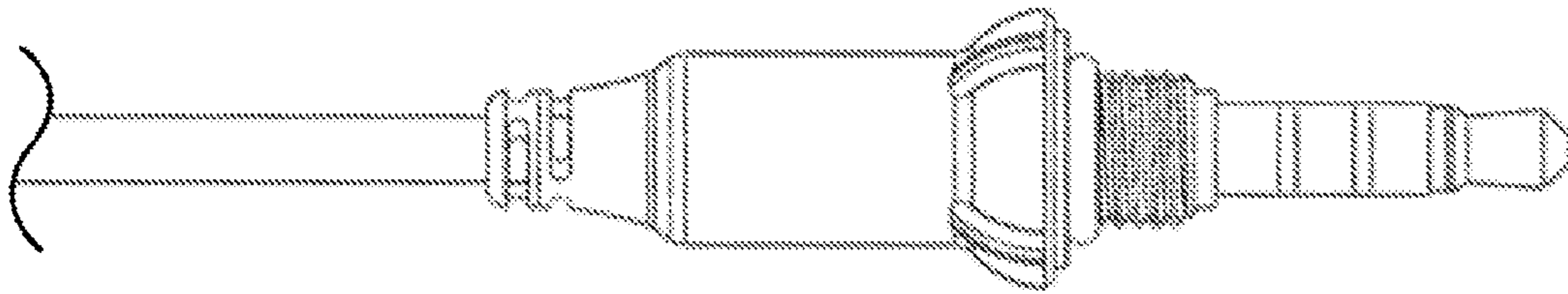


FIGURE 2

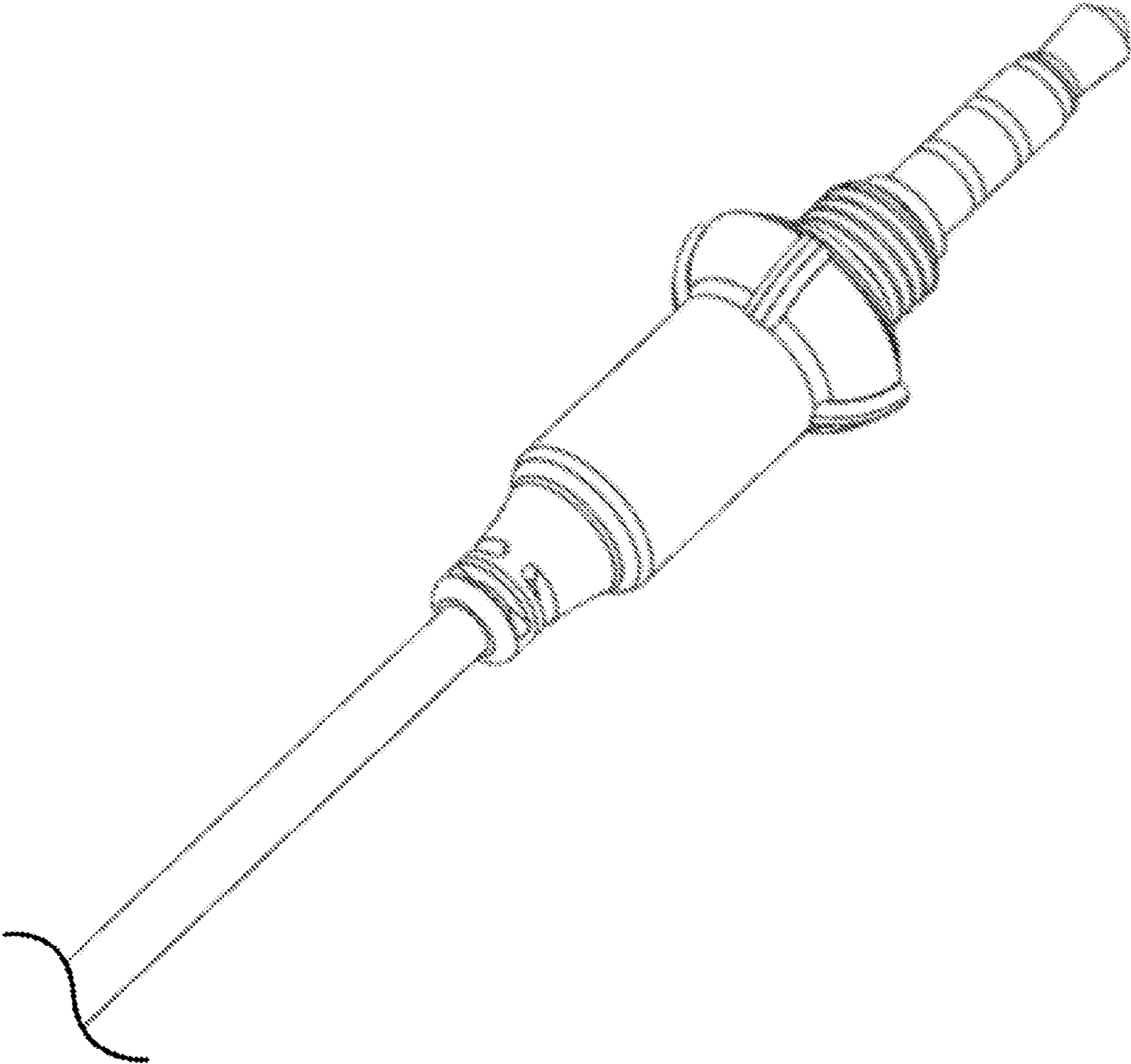


FIGURE 3

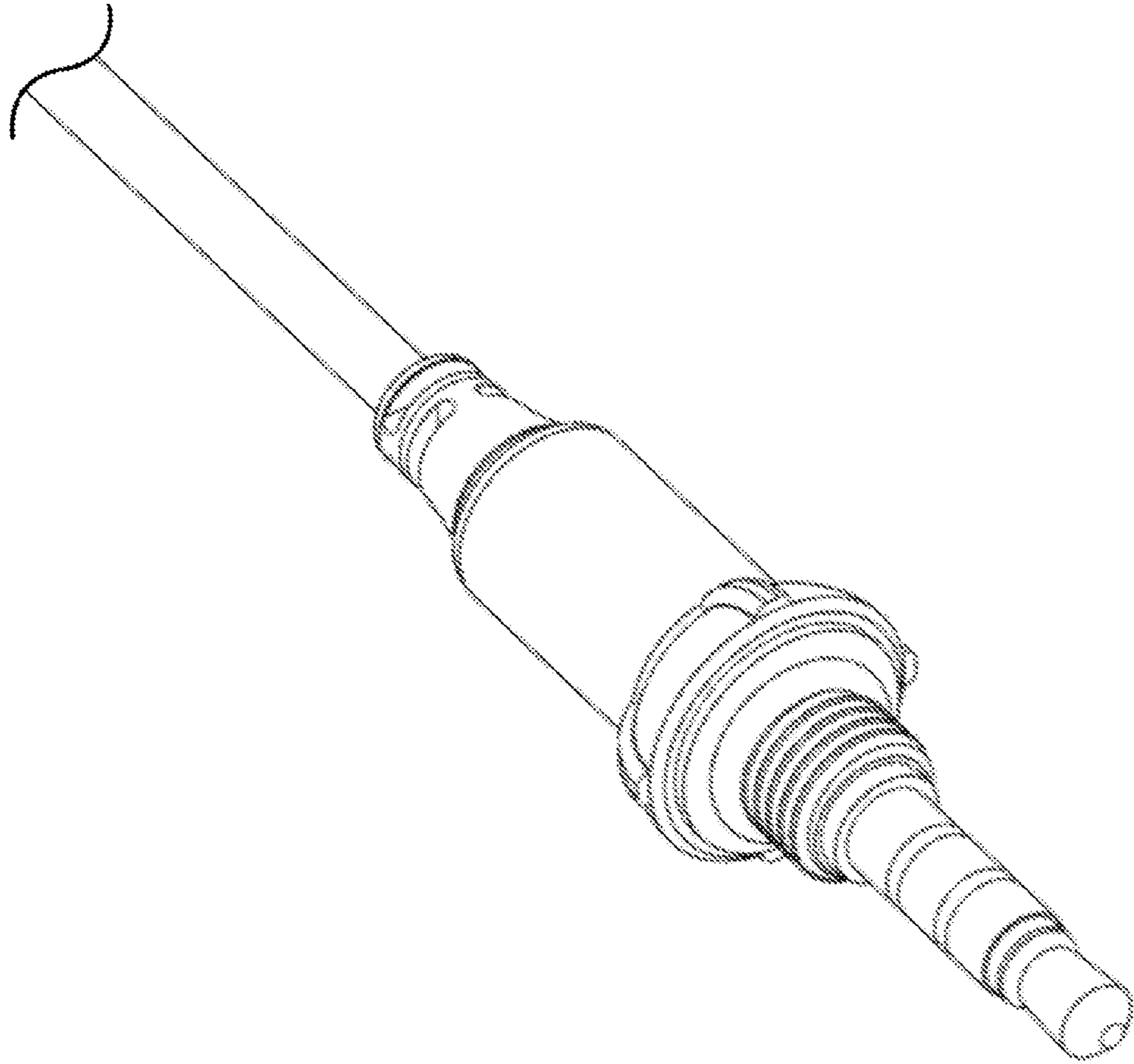


FIGURE 4

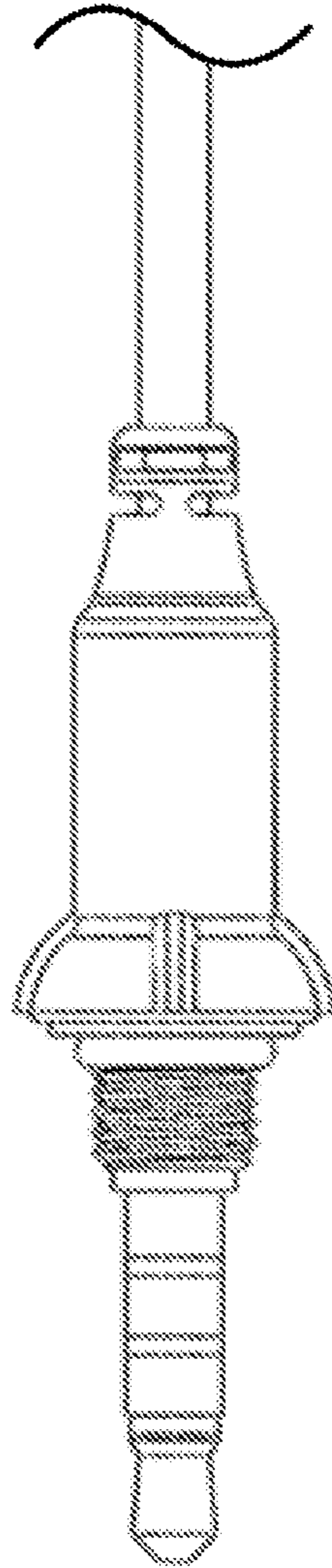


FIGURE 5

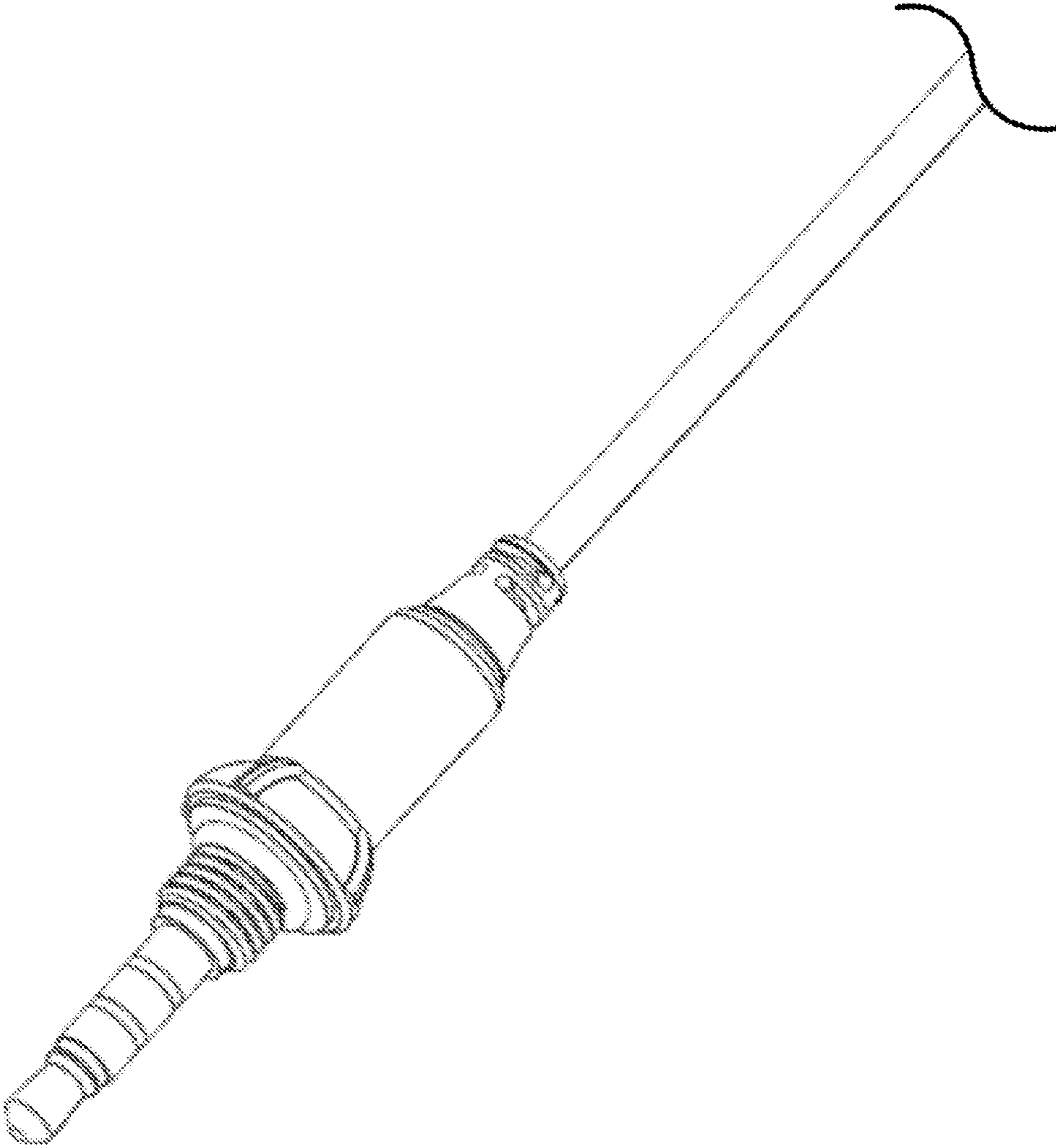


FIGURE 6

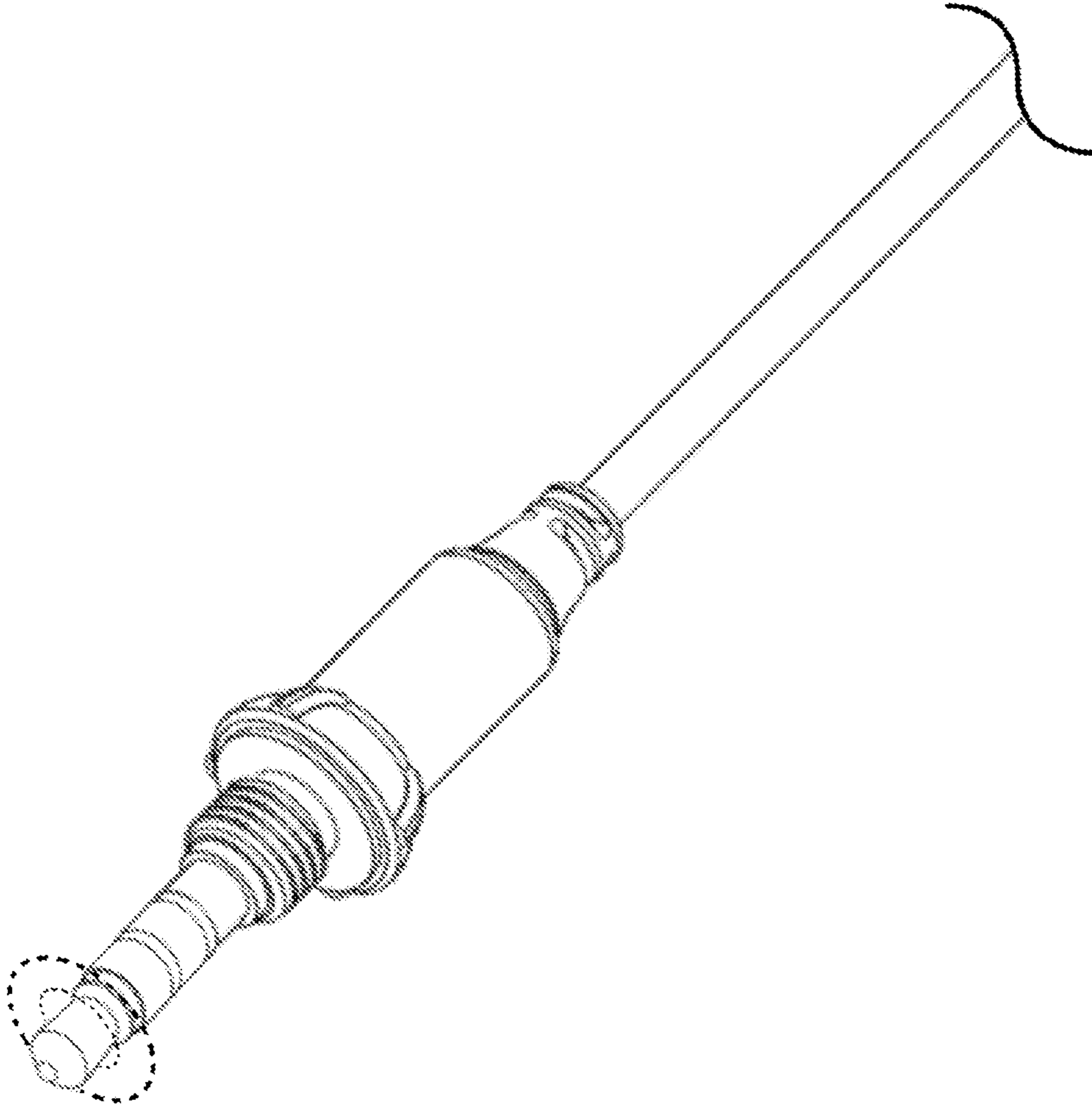


FIGURE 7