



US00D675160S

(12) **United States Design Patent**
Tanaka et al.

(10) **Patent No.:** **US D675,160 S**
(45) **Date of Patent:** **** Jan. 29, 2013**

(54) **CONTROLLER FOR BATTERY**
(75) Inventors: **Yosuke Tanaka**, Kobe (JP); **Katsuyuki Tomonaga**, Osaka (JP)
(73) Assignee: **SANYO Electric Co., Ltd.**, Moriguchi-shi, Osaka (JP)

D465,456 S * 11/2002 Lee D13/123
D467,227 S * 12/2002 Lee D13/123
D495,330 S * 8/2004 Kanatani et al. D14/356
D509,185 S * 9/2005 Suckle et al. D13/110
D535,944 S * 1/2007 Albano et al. D13/110
D648,676 S * 11/2011 Brookshire et al. D13/110

(**) Term: **14 Years**
(21) Appl. No.: **29/414,017**

FOREIGN PATENT DOCUMENTS
JP 1373175 S 11/2009
JP 1410632 S 4/2011

(22) Filed: **Feb. 23, 2012**

* cited by examiner
Primary Examiner — Freda S Nunn
(74) *Attorney, Agent, or Firm* — Westerman, Hattori, Daniels & Adrian, LLP

(30) **Foreign Application Priority Data**

Sep. 16, 2011 (JP) 2011-021269
(51) **LOC (9) Cl.** **13-02**
(52) **U.S. Cl.** **D13/123**; D13/110; D14/313
(58) **Field of Classification Search** D14/240,
D14/300, 308, 313, 348–356, 364–368; D13/107,
D13/110, 123, 124, 133, 162, 184, 199;
312/223.1–223.3, 351.11; 360/99.01–99.12;
369/34.01–36.01; 361/679.31–679.33, 679.37,
361/679.39, 679.46, 679.53, 679.4, 679.41,
361/727

(57) **CLAIM**
The ornamental design for a controller for battery, as shown and described.

See application file for complete search history.

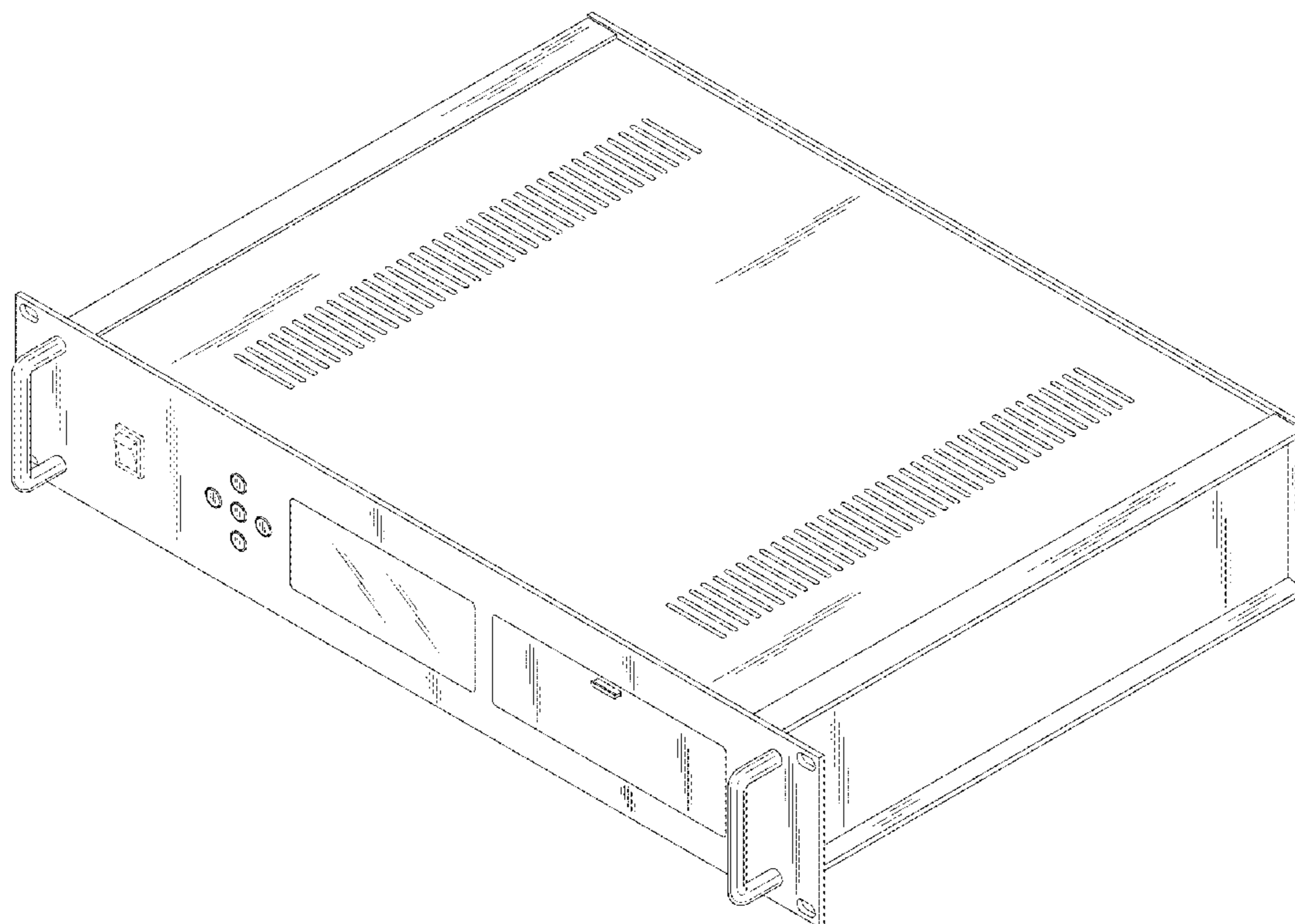
DESCRIPTION

FIG. 1 is a right front perspective view of a controller for battery, showing our new design;
FIG. 2 is a left rear perspective view thereof;
FIG. 3 is a front elevational view thereof;
FIG. 4 is a rear elevational view thereof;
FIG. 5 is a top plan view thereof;
FIG. 6 is a bottom plan view thereof;
FIG. 7 is a right side elevational view thereof; and,
FIG. 8 is a left side elevational view thereof.
The broken lines illustrate environmental structure only and form no part of the claimed design.

(56) **References Cited**

U.S. PATENT DOCUMENTS
D263,395 S * 3/1982 Karas et al. D14/313
5,649,839 A * 7/1997 Yu 439/650
6,088,224 A * 7/2000 Gallagher et al. 361/695
D452,475 S * 12/2001 Reynolds D13/110
D464,617 S * 10/2002 Reynolds D13/110

1 Claim, 8 Drawing Sheets



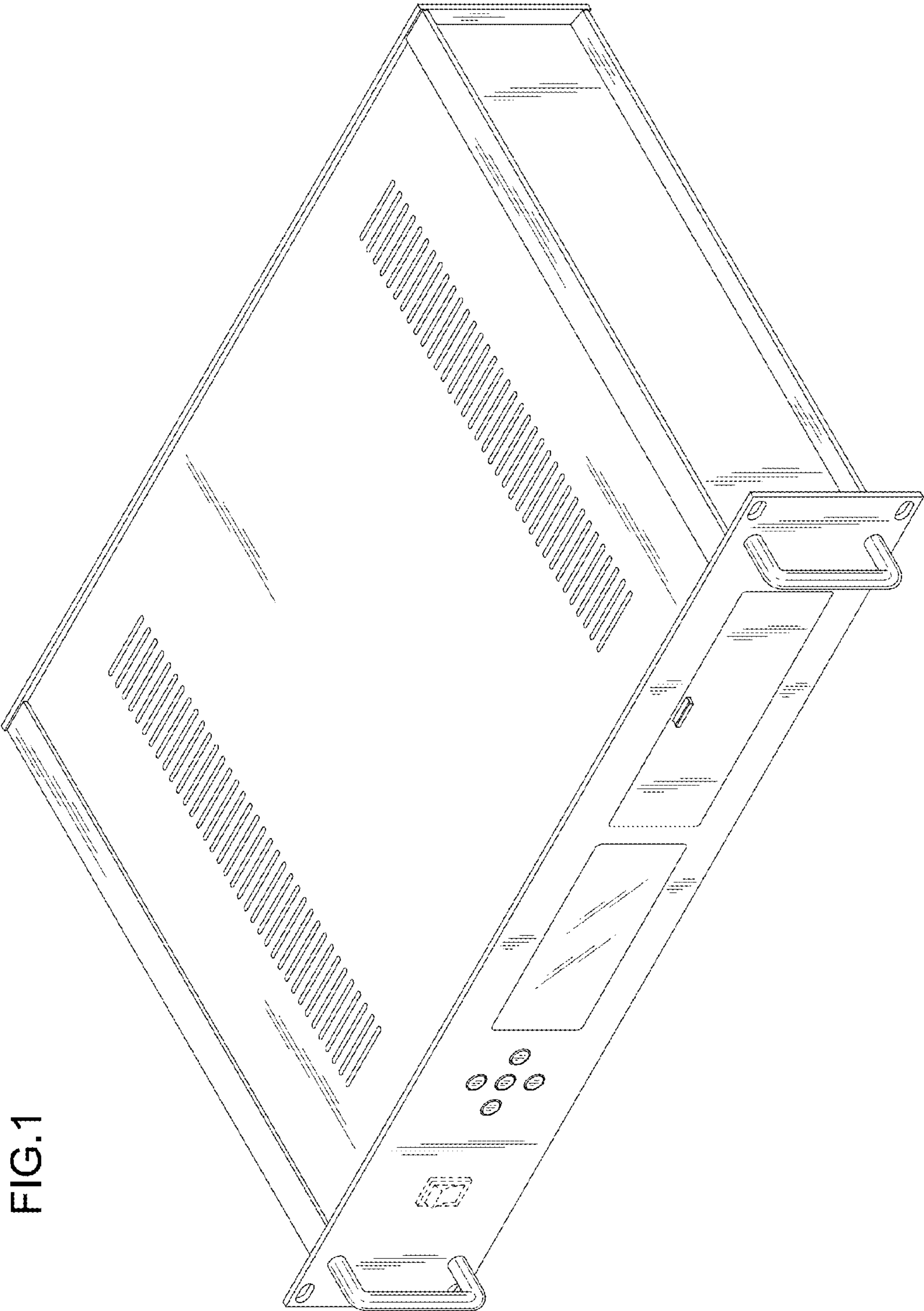


FIG.1

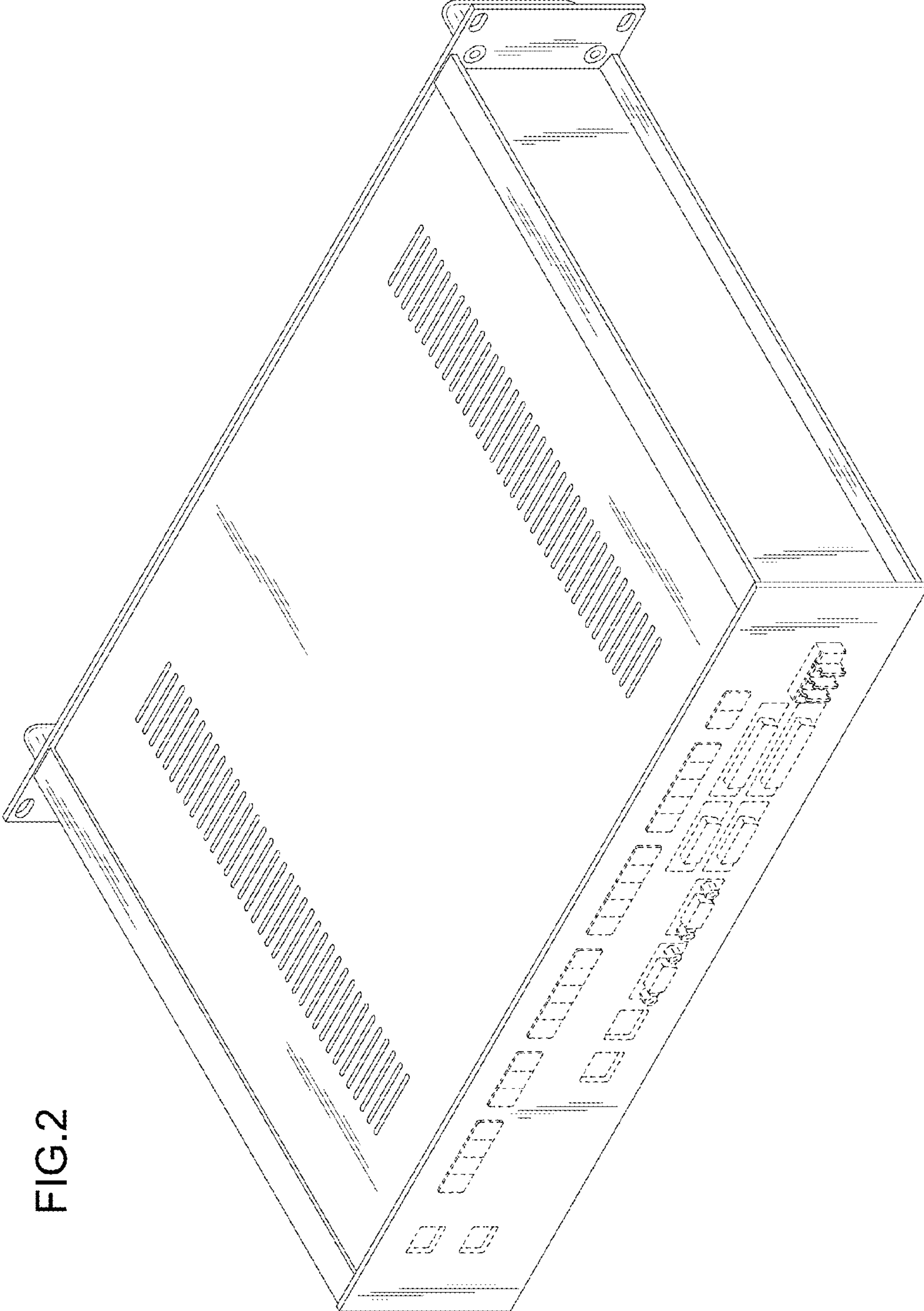


FIG.2

FIG.3

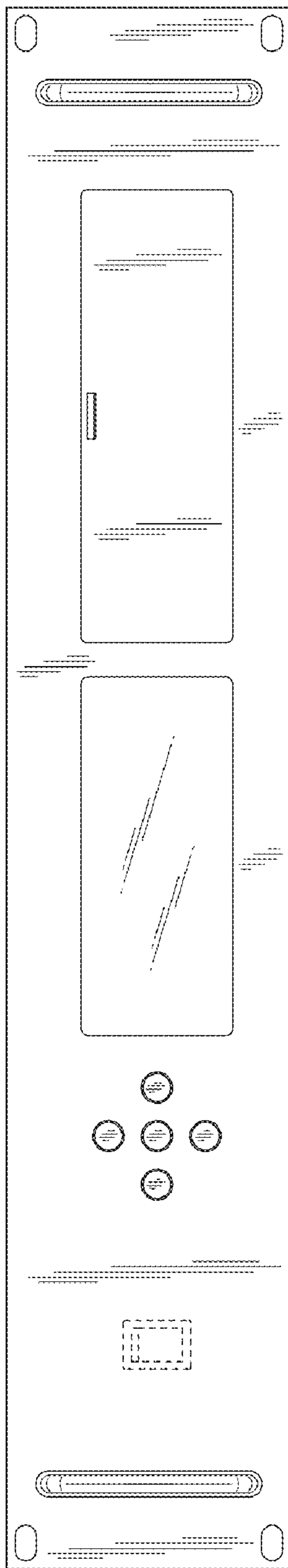


FIG.4

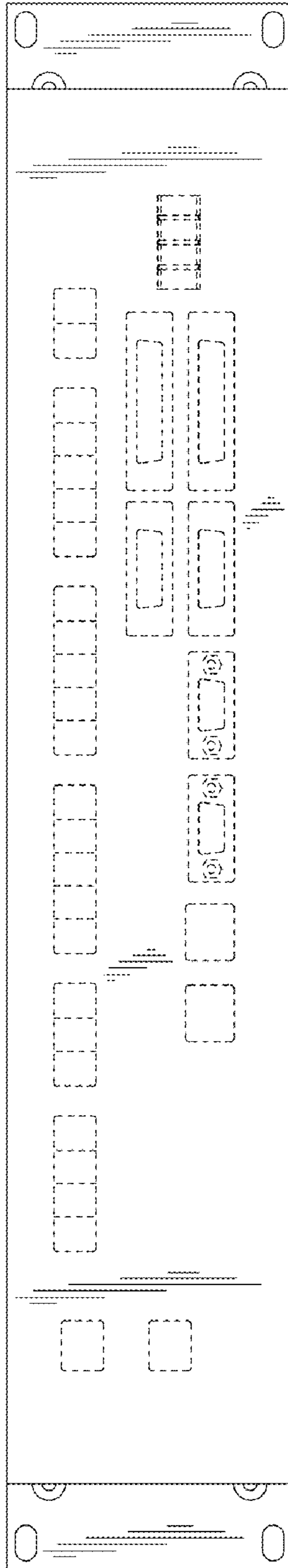


FIG. 5

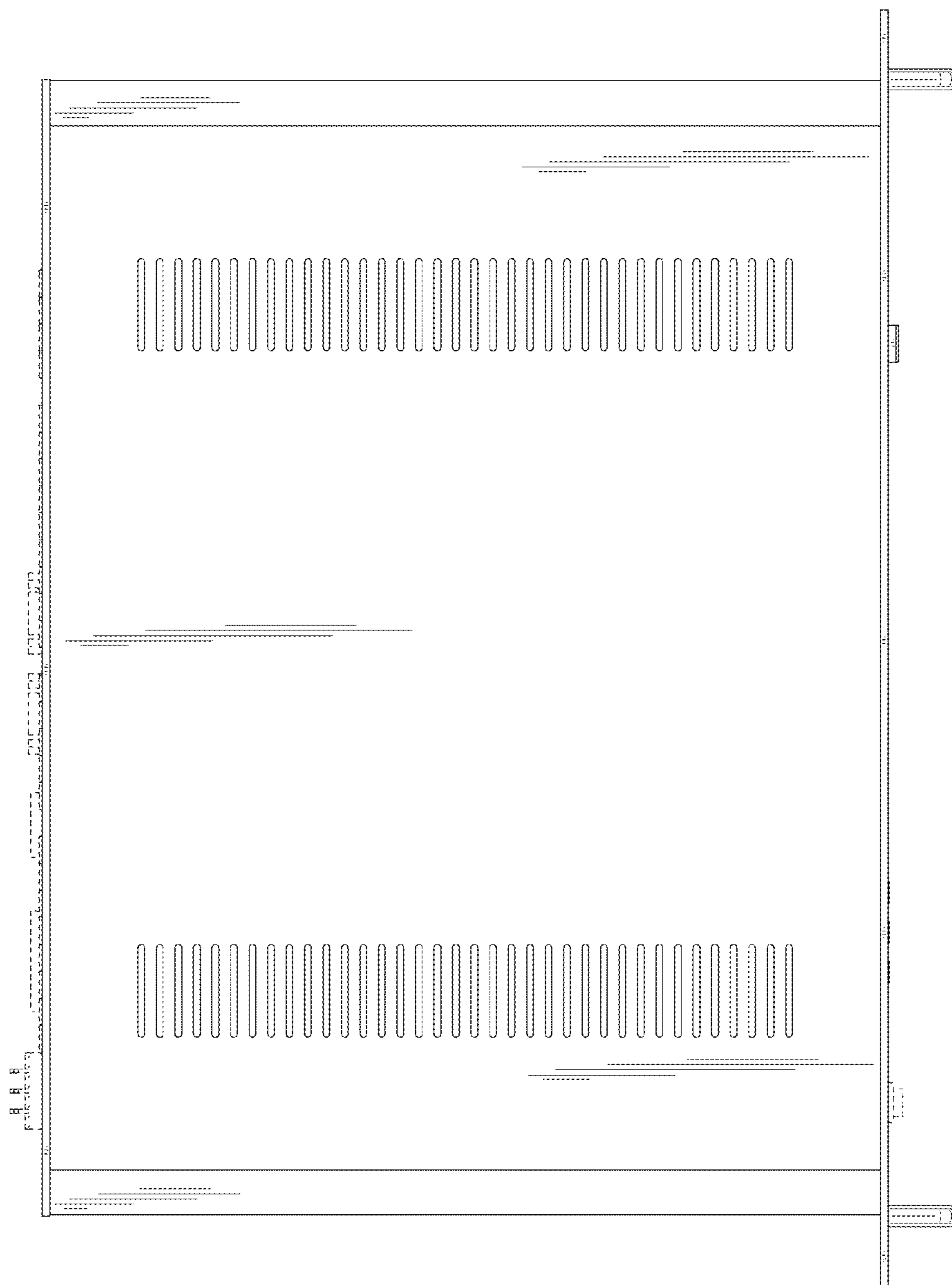


FIG.6

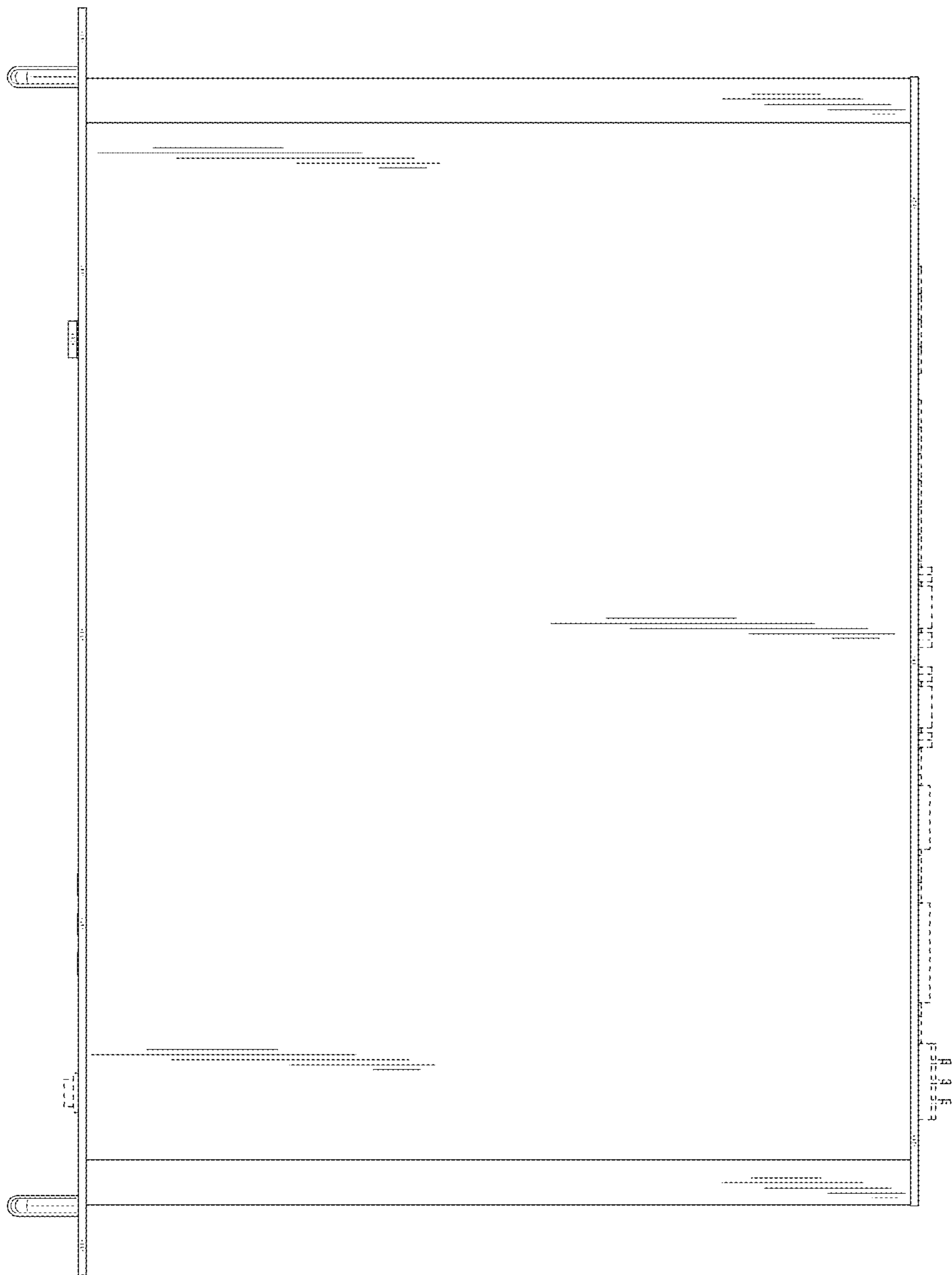


FIG. 7

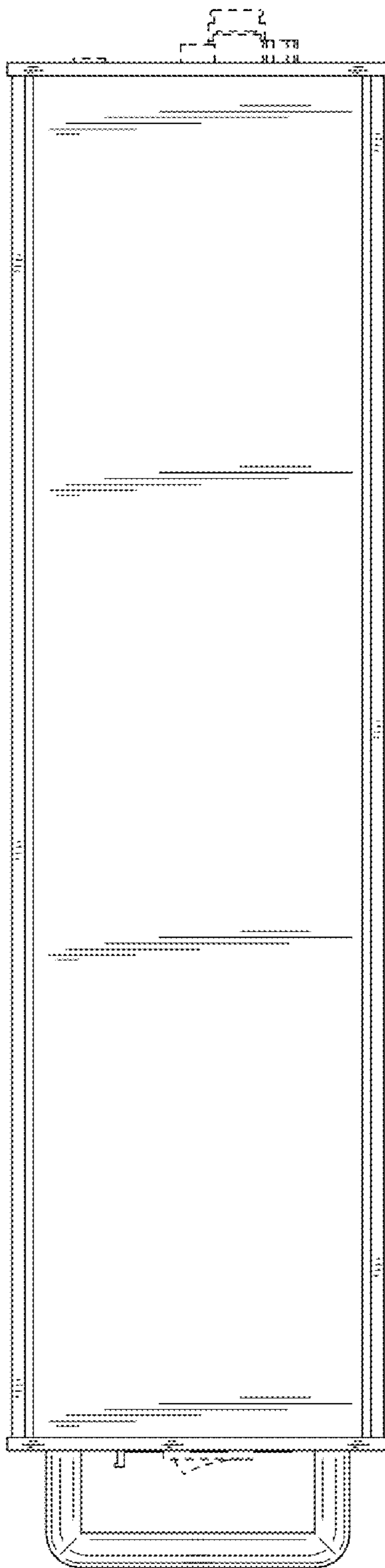


FIG. 8

