



US00D675159S

(12) **United States Design Patent**  
**Smith et al.**

(10) **Patent No.:** **US D675,159 S**  
(45) **Date of Patent:** **\*\* Jan. 29, 2013**

(54) **PLUG**

(75) Inventors: **Dustin Jonathan Smith**, Kitchener (CA); **Anders Fahrendorff**, Ottawa (CA); **Todd Andrew Wood**, Toronto (CA)

(73) Assignee: **Research In Motion Limited**, Waterloo, Ontario (CA)

(\*\*) Term: **14 Years**

(21) Appl. No.: **29/423,260**

(22) Filed: **May 30, 2012**

(51) **LOC (9) Cl.** ..... **13-02**

(52) **U.S. Cl.** ..... **D13/110**

(58) **Field of Classification Search** ..... D13/110,  
D13/103, 107, 108, 123, 133, 137.1, 138.1,  
D13/138.2, 199; 174/53, 54, 59, 61; 307/150,  
307/151; 320/111, 114; 363/132, 140, 142,  
363/143, 146; 439/105, 131, 166, 171-173,  
439/218, 518, 692, 956; D14/240, 251, 253,  
D14/432, 433, 434

See application file for complete search history.

(56) **References Cited**

U.S. PATENT DOCUMENTS

5,611,701	A	*	3/1997	Hahn	.....	439/131
D381,624	S	*	7/1997	Muller et al.	.....	D13/110
D430,107	S	*	8/2000	Taylor	.....	D13/110
D498,462	S	*	11/2004	Andre et al.	.....	D13/146
D562,766	S	*	2/2008	Yang	.....	D13/110
D587,192	S	*	2/2009	McGinley et al.	.....	D13/110
D587,193	S	*	2/2009	McGinley et al.	.....	D13/110

\* cited by examiner

*Primary Examiner* — Derrick Holland

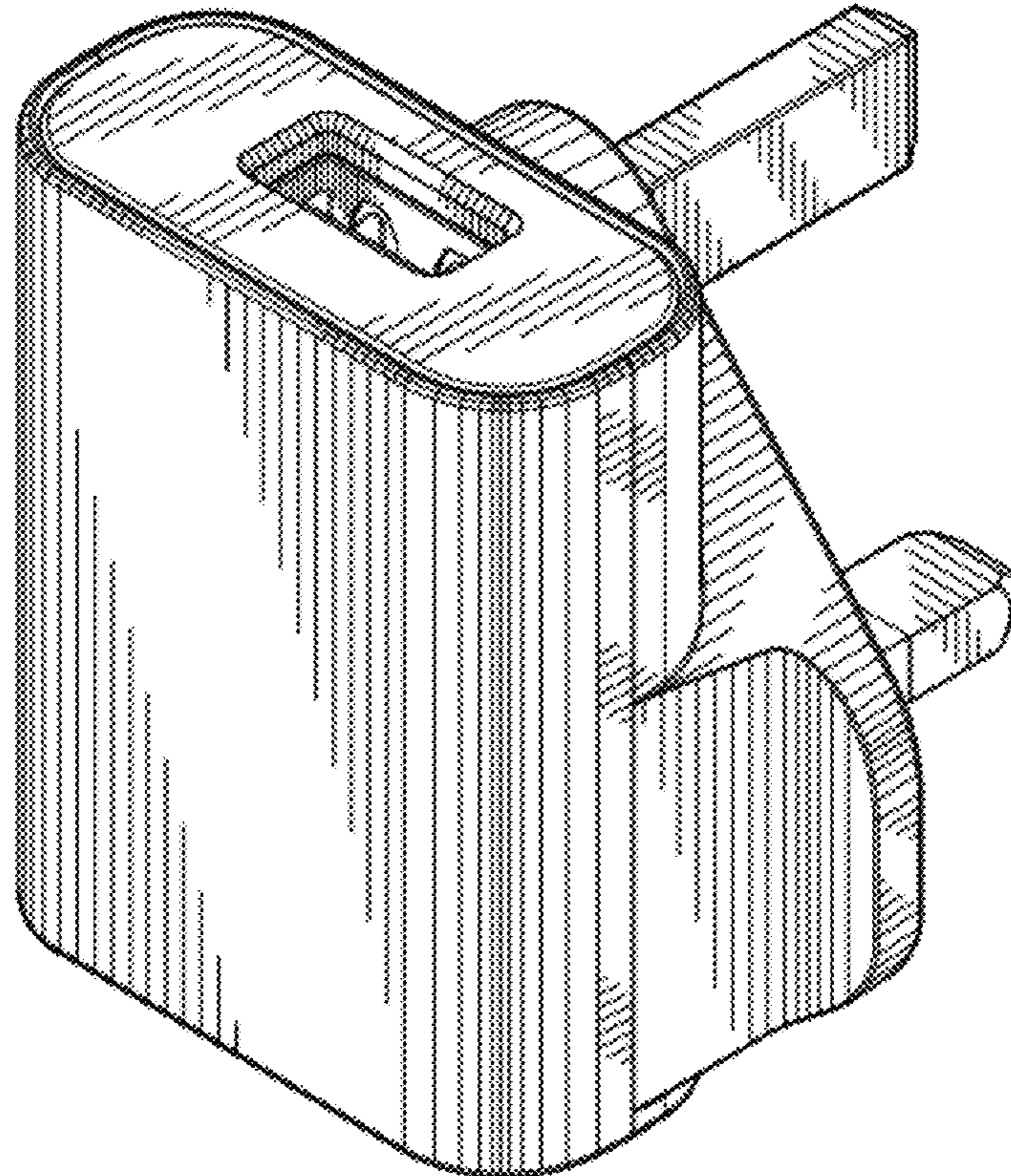
(57) **CLAIM**

We claim the ornamental design for a plug, as shown and described.

**DESCRIPTION**

FIG. 1 is a front bottom perspective view of a plug;  
FIG. 2 is a back top perspective view of the plug;  
FIG. 3 is a front elevation view thereof;  
FIG. 4 is a back elevation view thereof;  
FIG. 5 is a right elevation view thereof;  
FIG. 6 is a left elevation view thereof;  
FIG. 7 is a bottom plan view thereof; and,  
FIG. 8 is a top plan view thereof.

**1 Claim, 6 Drawing Sheets**



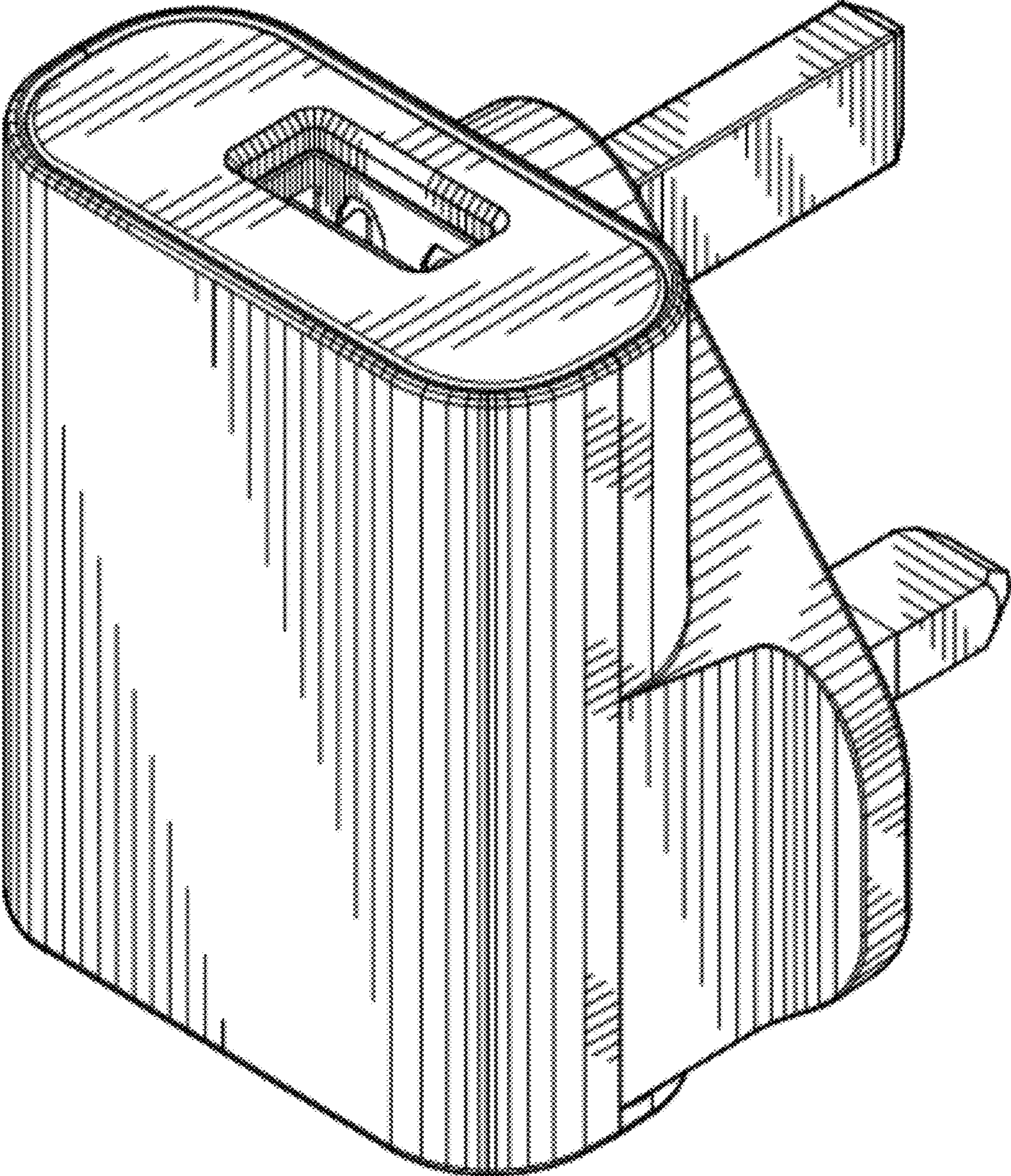


FIG. 1

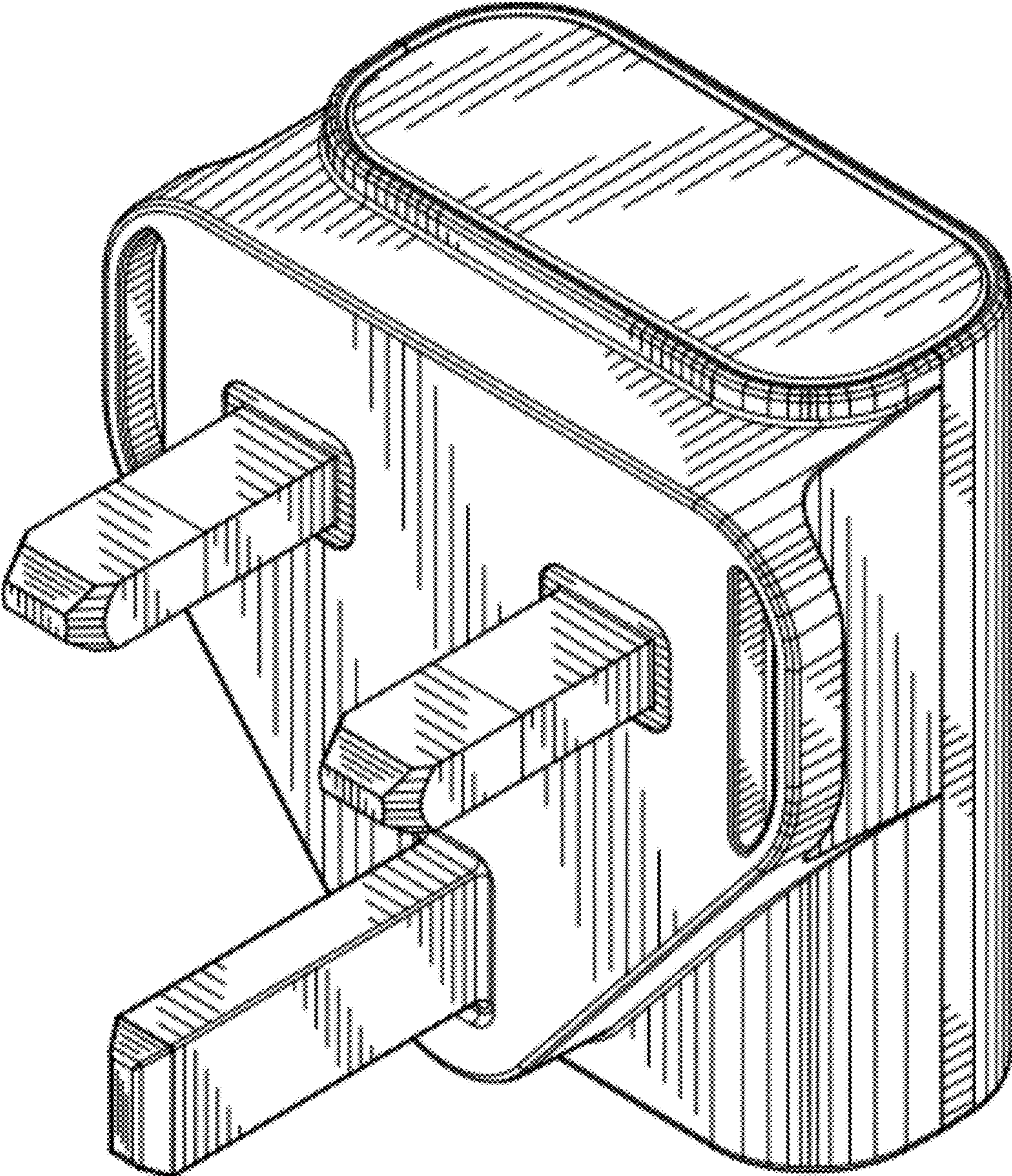


FIG.2

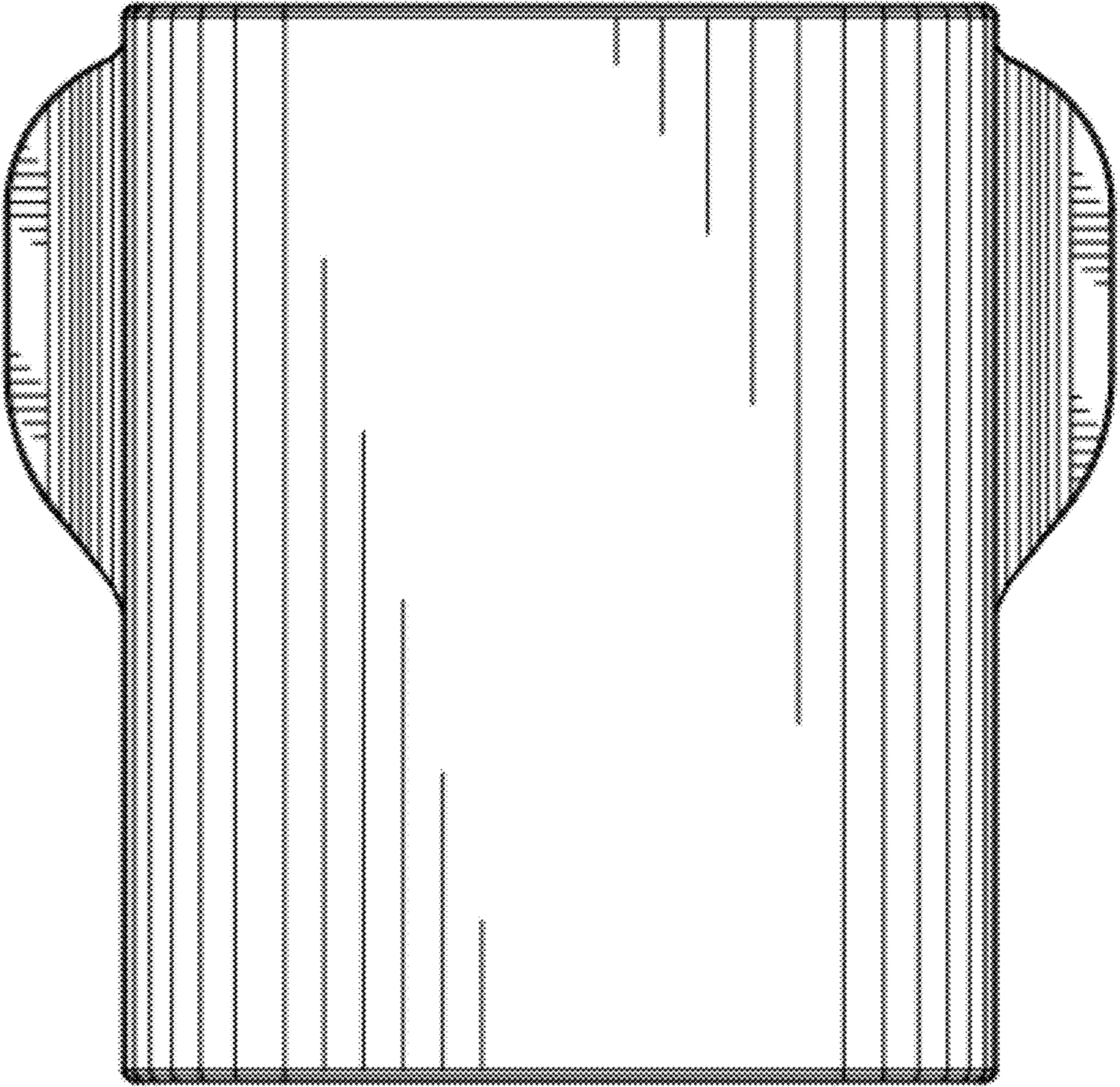


FIG. 3

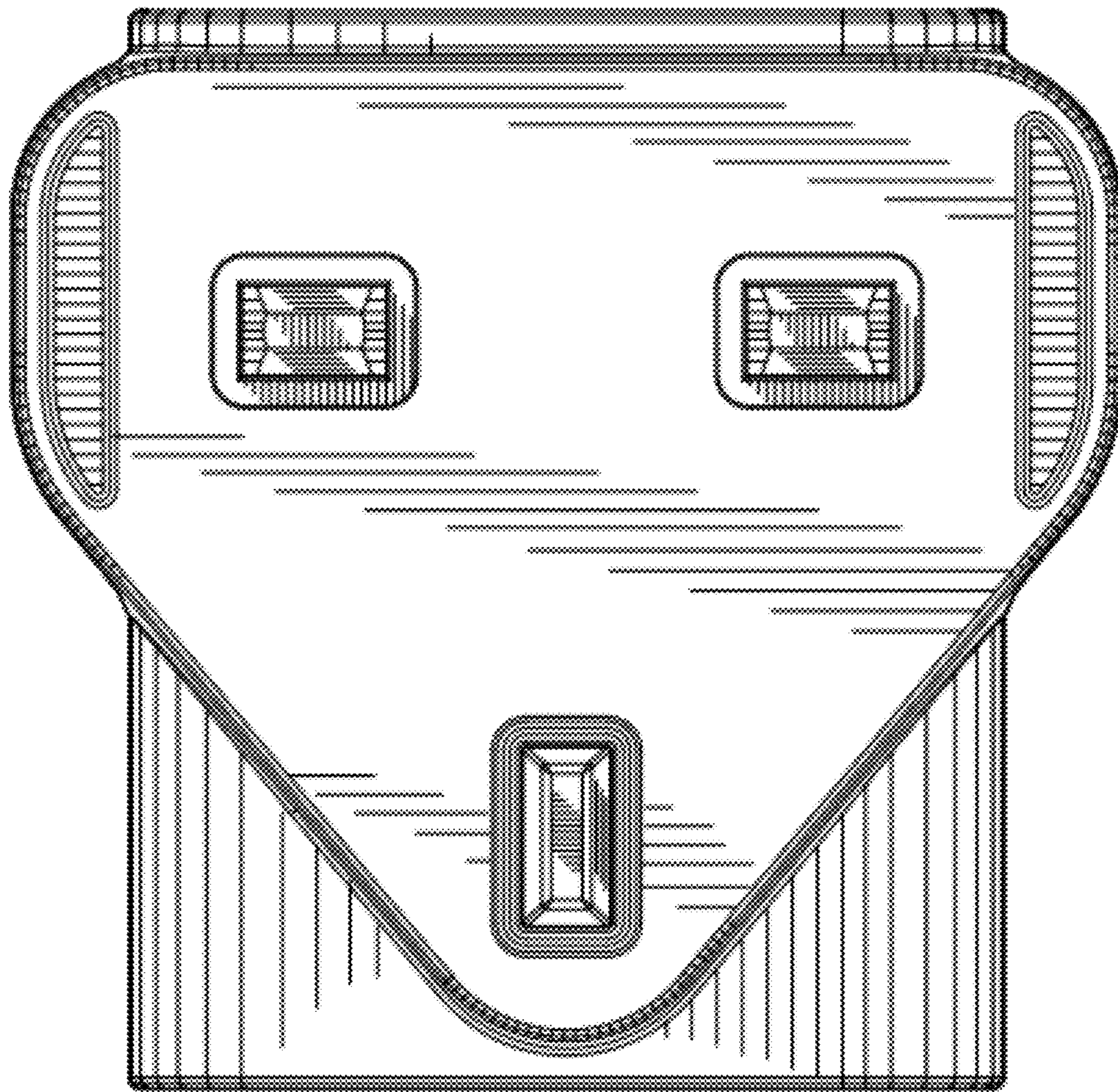


FIG.4

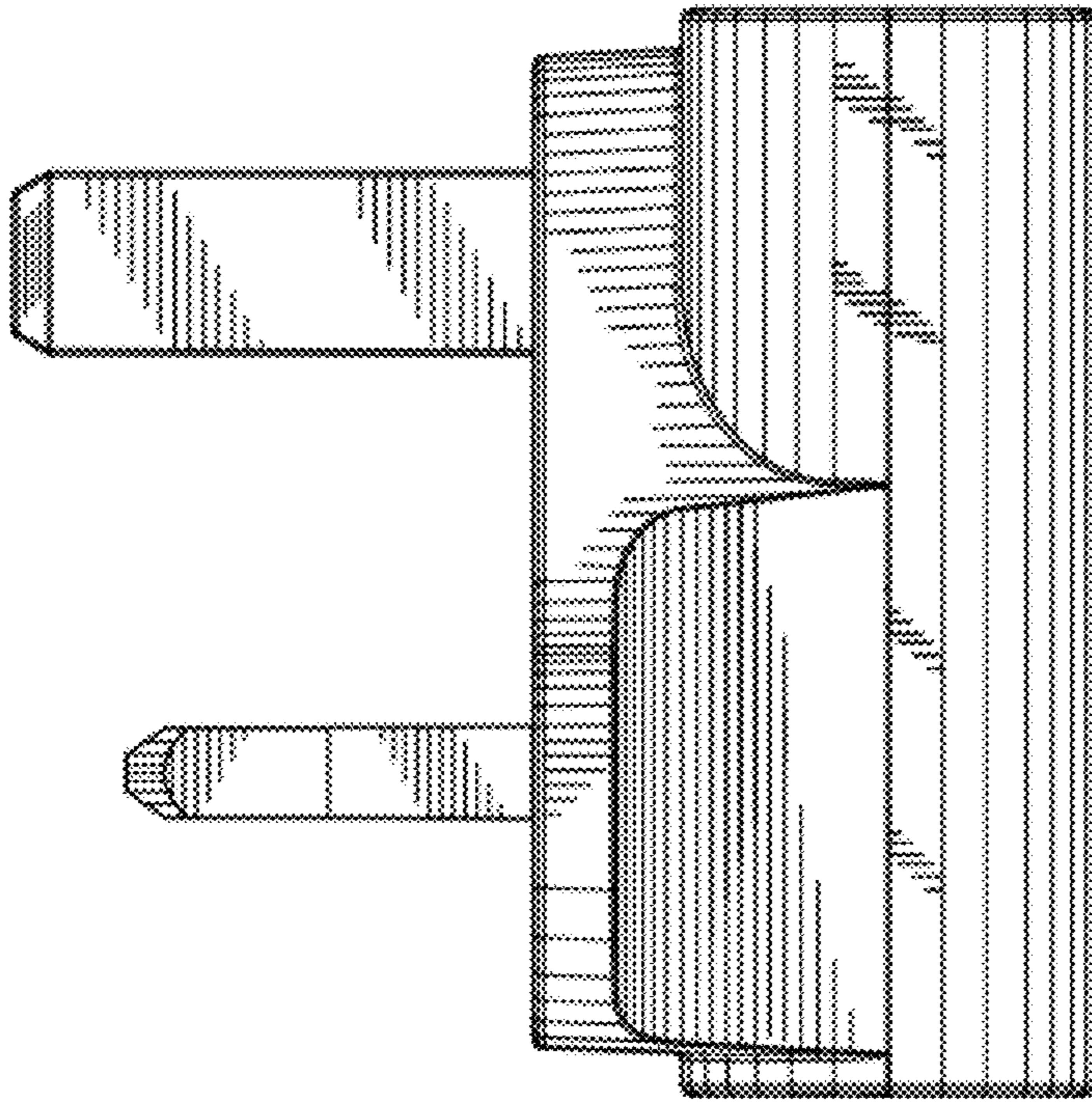


FIG.6

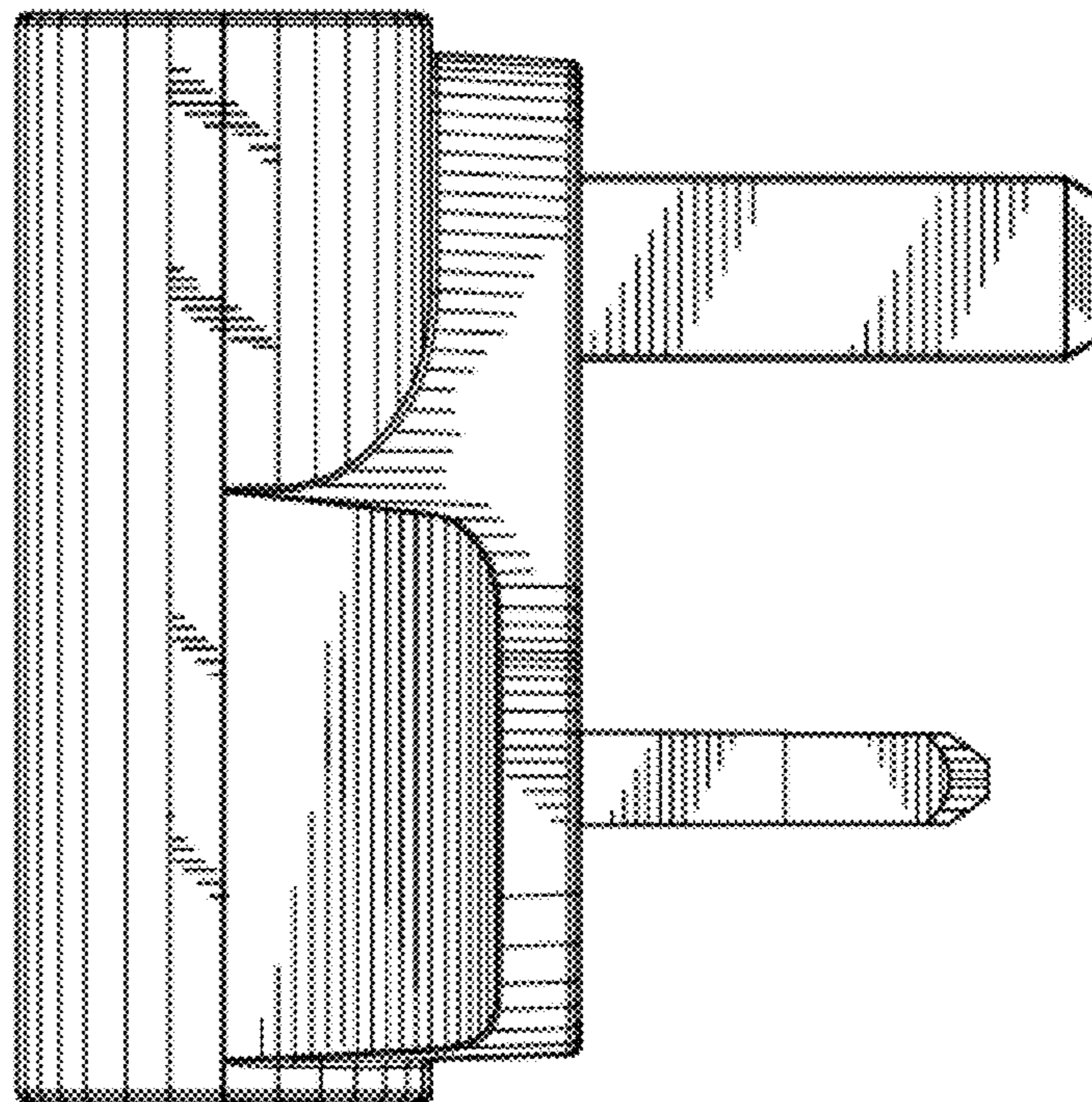


FIG.5

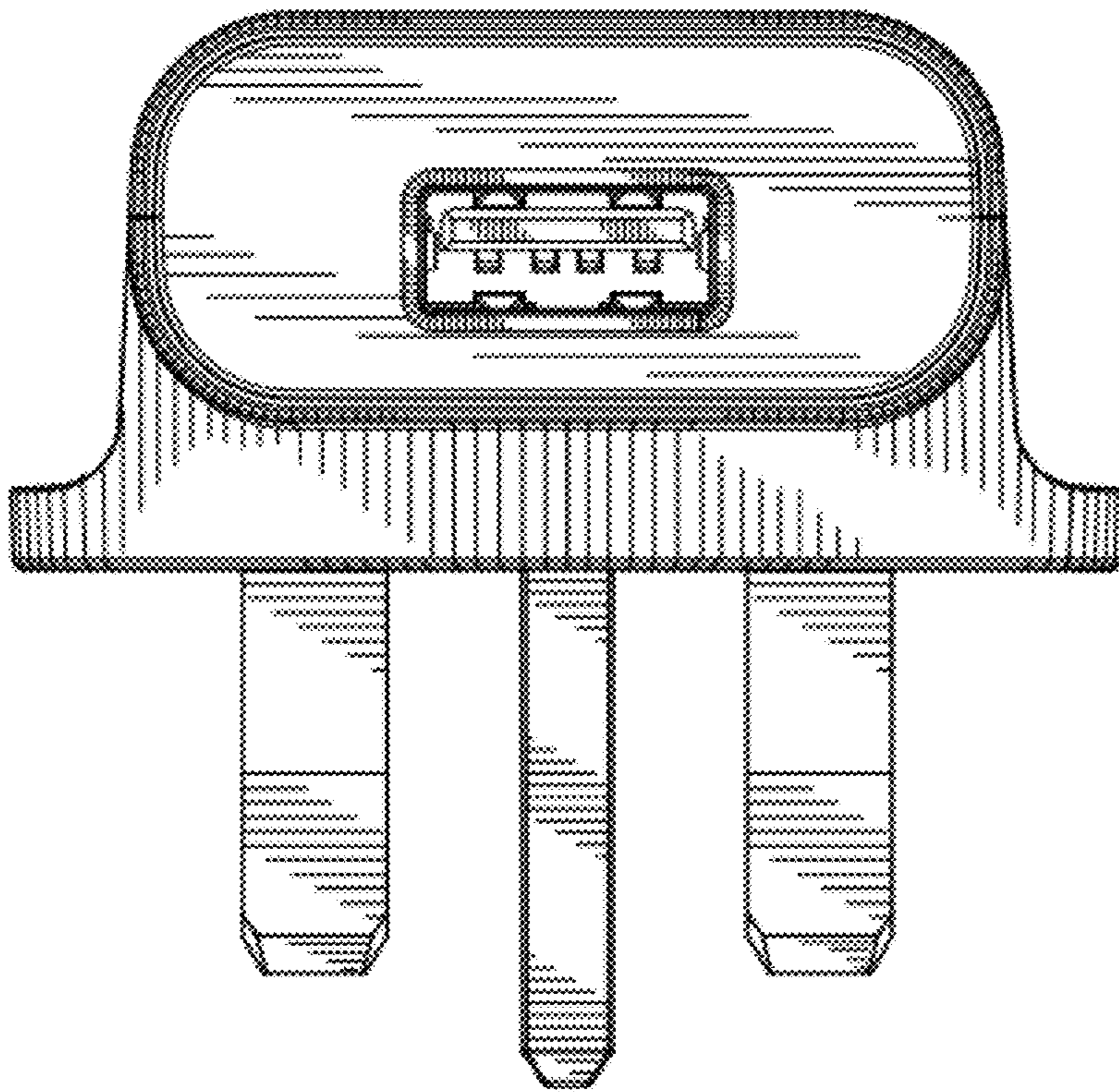


FIG. 7

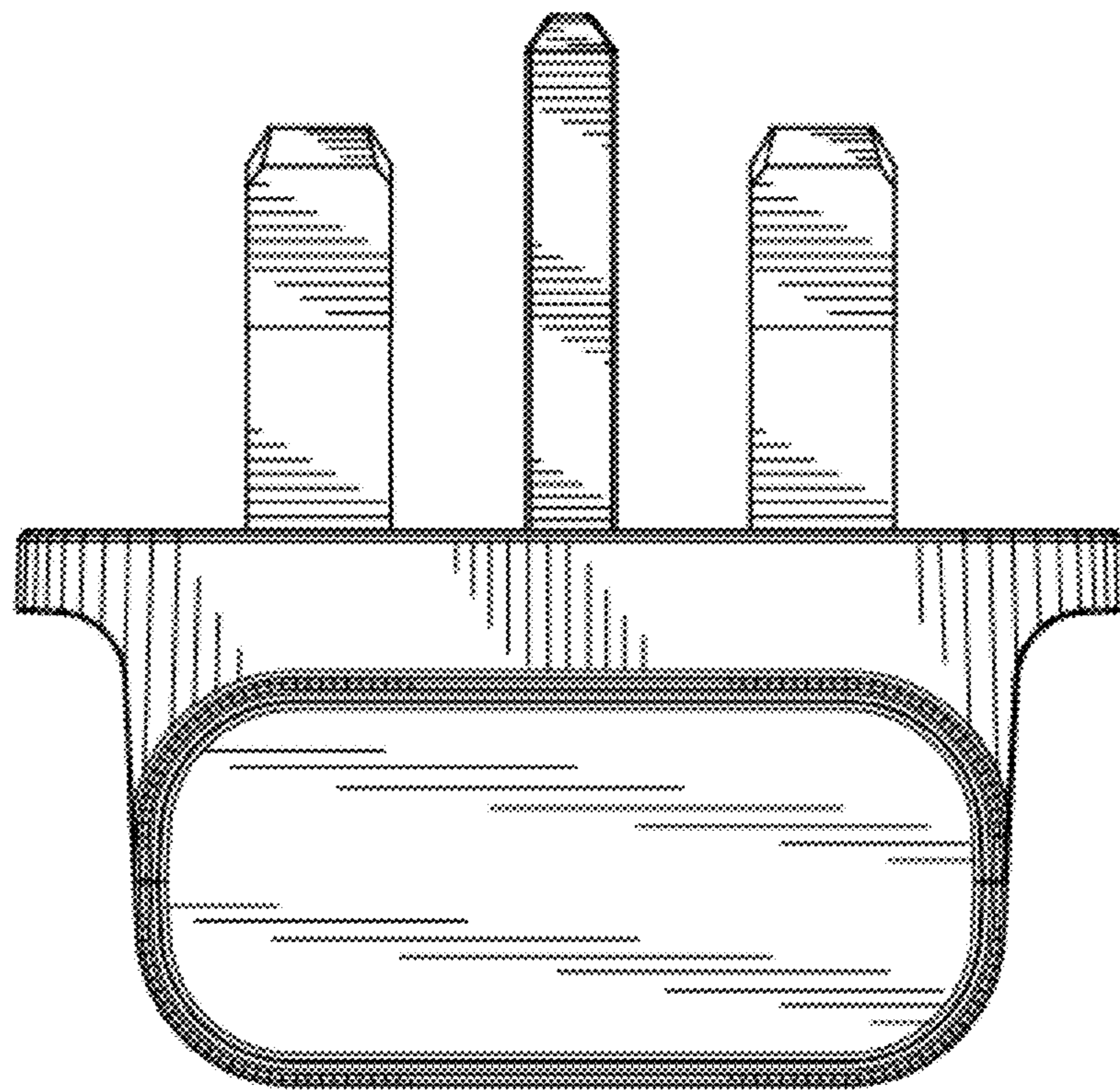


FIG. 8